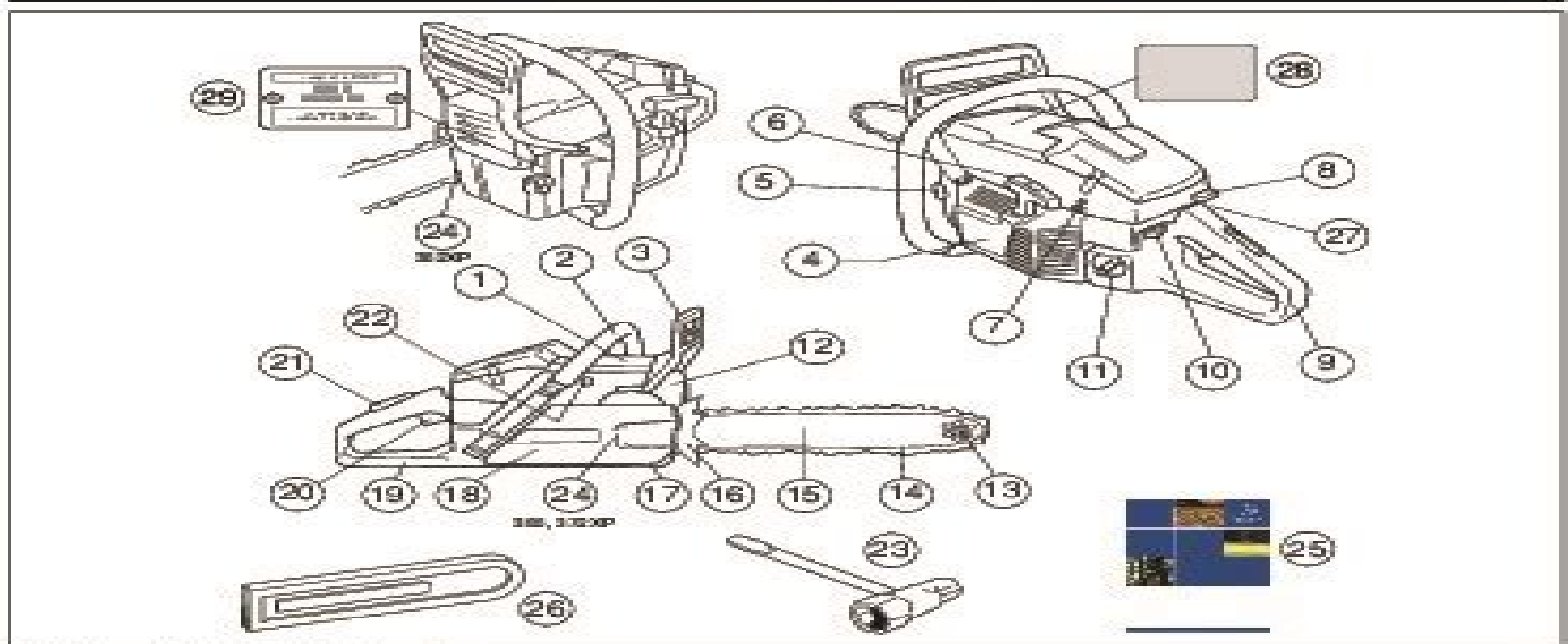


## WHAT IS WHAT?



### What is what on the chain saw?

- |  |  |
|--|--|
| 1 Cylinder cover                         | 16 Bumper spike                            |
| 2 Front handle                           | 17 Chain catcher                           |
| 3 Chain brake and front hand guard       | 18 Clutch cover                            |
| 4 Starter                                | 19 Rear handle with right hand guard       |
| 5 Chain oil tank                         | 20 Throttle control                        |
| 6 Starter handle                         | 21 Throttle lockout                        |
| 7 Adjuster screws carburetor             | 22 Decompression valve                     |
| 8 Choke control/Start throttle lock      | 23 Combination spanner                     |
| 9 Rear handle                            | 24 Chain tensioning screw                  |
| 10 Stop switch (ignition on/off switch.) | 25 Operator's manual (EPA)                 |
| 11 Fuel tank                             | 26 Transport guard                         |
| 12 Muffler                               | 27 Switch for heated handle (Model 372KPG) |
| 13 Bar tip sprocket                      | 28 Information and warning decal           |
| 14 Chain                                 | 29 Product and serial number plate         |
| 15 Bar                                   |  |

# Husqvarna 365 Xp Manual

**PT Brinkman**



## **Husqvarna 365 Xp Manual:**

Embark on a transformative journey with is captivating work, Grab Your Copy of **Husqvarna 365 Xp Manual** . This enlightening ebook, available for download in a convenient PDF format Download in PDF: , invites you to explore a world of boundless knowledge. Unleash your intellectual curiosity and discover the power of words as you dive into this riveting creation. Download now and elevate your reading experience to new heights .

[https://staging.conocer.cide.edu/book/scholarship/index.jsp/Facom\\_Ac\\_Manual.pdf](https://staging.conocer.cide.edu/book/scholarship/index.jsp/Facom_Ac_Manual.pdf)

## **Table of Contents Husqvarna 365 Xp Manual**

1. Understanding the eBook Husqvarna 365 Xp Manual
  - The Rise of Digital Reading Husqvarna 365 Xp Manual
  - Advantages of eBooks Over Traditional Books
2. Identifying Husqvarna 365 Xp Manual
  - Exploring Different Genres
  - Considering Fiction vs. Non-Fiction
  - Determining Your Reading Goals
3. Choosing the Right eBook Platform
  - Popular eBook Platforms
  - Features to Look for in an Husqvarna 365 Xp Manual
  - User-Friendly Interface
4. Exploring eBook Recommendations from Husqvarna 365 Xp Manual
  - Personalized Recommendations
  - Husqvarna 365 Xp Manual User Reviews and Ratings
  - Husqvarna 365 Xp Manual and Bestseller Lists
5. Accessing Husqvarna 365 Xp Manual Free and Paid eBooks
  - Husqvarna 365 Xp Manual Public Domain eBooks
  - Husqvarna 365 Xp Manual eBook Subscription Services
  - Husqvarna 365 Xp Manual Budget-Friendly Options

6. Navigating Husqvarna 365 Xp Manual eBook Formats
  - ePub, PDF, MOBI, and More
  - Husqvarna 365 Xp Manual Compatibility with Devices
  - Husqvarna 365 Xp Manual Enhanced eBook Features
7. Enhancing Your Reading Experience
  - Adjustable Fonts and Text Sizes of Husqvarna 365 Xp Manual
  - Highlighting and Note-Taking Husqvarna 365 Xp Manual
  - Interactive Elements Husqvarna 365 Xp Manual
8. Staying Engaged with Husqvarna 365 Xp Manual
  - Joining Online Reading Communities
  - Participating in Virtual Book Clubs
  - Following Authors and Publishers Husqvarna 365 Xp Manual
9. Balancing eBooks and Physical Books Husqvarna 365 Xp Manual
  - Benefits of a Digital Library
  - Creating a Diverse Reading Collection Husqvarna 365 Xp Manual
10. Overcoming Reading Challenges
  - Dealing with Digital Eye Strain
  - Minimizing Distractions
  - Managing Screen Time
11. Cultivating a Reading Routine Husqvarna 365 Xp Manual
  - Setting Reading Goals Husqvarna 365 Xp Manual
  - Carving Out Dedicated Reading Time
12. Sourcing Reliable Information of Husqvarna 365 Xp Manual
  - Fact-Checking eBook Content of Husqvarna 365 Xp Manual
  - Distinguishing Credible Sources
13. Promoting Lifelong Learning
  - Utilizing eBooks for Skill Development
  - Exploring Educational eBooks
14. Embracing eBook Trends
  - Integration of Multimedia Elements

- Interactive and Gamified eBooks

## **Husqvarna 365 Xp Manual Introduction**

In today's digital age, the availability of Husqvarna 365 Xp Manual books and manuals for download has revolutionized the way we access information. Gone are the days of physically flipping through pages and carrying heavy textbooks or manuals. With just a few clicks, we can now access a wealth of knowledge from the comfort of our own homes or on the go. This article will explore the advantages of Husqvarna 365 Xp Manual books and manuals for download, along with some popular platforms that offer these resources. One of the significant advantages of Husqvarna 365 Xp Manual books and manuals for download is the cost-saving aspect. Traditional books and manuals can be costly, especially if you need to purchase several of them for educational or professional purposes. By accessing Husqvarna 365 Xp Manual versions, you eliminate the need to spend money on physical copies. This not only saves you money but also reduces the environmental impact associated with book production and transportation. Furthermore, Husqvarna 365 Xp Manual books and manuals for download are incredibly convenient. With just a computer or smartphone and an internet connection, you can access a vast library of resources on any subject imaginable. Whether you're a student looking for textbooks, a professional seeking industry-specific manuals, or someone interested in self-improvement, these digital resources provide an efficient and accessible means of acquiring knowledge. Moreover, PDF books and manuals offer a range of benefits compared to other digital formats. PDF files are designed to retain their formatting regardless of the device used to open them. This ensures that the content appears exactly as intended by the author, with no loss of formatting or missing graphics. Additionally, PDF files can be easily annotated, bookmarked, and searched for specific terms, making them highly practical for studying or referencing. When it comes to accessing Husqvarna 365 Xp Manual books and manuals, several platforms offer an extensive collection of resources. One such platform is Project Gutenberg, a nonprofit organization that provides over 60,000 free eBooks. These books are primarily in the public domain, meaning they can be freely distributed and downloaded. Project Gutenberg offers a wide range of classic literature, making it an excellent resource for literature enthusiasts. Another popular platform for Husqvarna 365 Xp Manual books and manuals is Open Library. Open Library is an initiative of the Internet Archive, a non-profit organization dedicated to digitizing cultural artifacts and making them accessible to the public. Open Library hosts millions of books, including both public domain works and contemporary titles. It also allows users to borrow digital copies of certain books for a limited period, similar to a library lending system. Additionally, many universities and educational institutions have their own digital libraries that provide free access to PDF books and manuals. These libraries often offer academic texts, research papers, and technical manuals, making them invaluable resources for students and researchers. Some notable examples include MIT OpenCourseWare, which offers free access to course materials from the Massachusetts Institute of

Technology, and the Digital Public Library of America, which provides a vast collection of digitized books and historical documents. In conclusion, Husqvarna 365 Xp Manual books and manuals for download have transformed the way we access information. They provide a cost-effective and convenient means of acquiring knowledge, offering the ability to access a vast library of resources at our fingertips. With platforms like Project Gutenberg, Open Library, and various digital libraries offered by educational institutions, we have access to an ever-expanding collection of books and manuals. Whether for educational, professional, or personal purposes, these digital resources serve as valuable tools for continuous learning and self-improvement. So why not take advantage of the vast world of Husqvarna 365 Xp Manual books and manuals for download and embark on your journey of knowledge?

### **FAQs About Husqvarna 365 Xp Manual Books**

How do I know which eBook platform is the best for me? Finding the best eBook platform depends on your reading preferences and device compatibility. Research different platforms, read user reviews, and explore their features before making a choice. Are free eBooks of good quality? Yes, many reputable platforms offer high-quality free eBooks, including classics and public domain works. However, make sure to verify the source to ensure the eBook credibility. Can I read eBooks without an eReader? Absolutely! Most eBook platforms offer webbased readers or mobile apps that allow you to read eBooks on your computer, tablet, or smartphone. How do I avoid digital eye strain while reading eBooks? To prevent digital eye strain, take regular breaks, adjust the font size and background color, and ensure proper lighting while reading eBooks. What the advantage of interactive eBooks? Interactive eBooks incorporate multimedia elements, quizzes, and activities, enhancing the reader engagement and providing a more immersive learning experience. Husqvarna 365 Xp Manual is one of the best book in our library for free trial. We provide copy of Husqvarna 365 Xp Manual in digital format, so the resources that you find are reliable. There are also many Ebooks of related with Husqvarna 365 Xp Manual. Where to download Husqvarna 365 Xp Manual online for free? Are you looking for Husqvarna 365 Xp Manual PDF? This is definitely going to save you time and cash in something you should think about. If you trying to find then search around for online. Without a doubt there are numerous these available and many of them have the freedom. However without doubt you receive whatever you purchase. An alternate way to get ideas is always to check another Husqvarna 365 Xp Manual. This method for see exactly what may be included and adopt these ideas to your book. This site will almost certainly help you save time and effort, money and stress. If you are looking for free books then you really should consider finding to assist you try this. Several of Husqvarna 365 Xp Manual are for sale to free while some are payable. If you arent sure if the books you would like to download works with for usage along with your computer, it is possible to download free trials. The free guides make it

easy for someone to free access online library for download books to your device. You can get free download on free trial for lots of books categories. Our library is the biggest of these that have literally hundreds of thousands of different products categories represented. You will also see that there are specific sites catered to different product types or categories, brands or niches related with Husqvarna 365 Xp Manual. So depending on what exactly you are searching, you will be able to choose e books to suit your own need. Need to access completely for Campbell Biology Seventh Edition book? Access Ebook without any digging. And by having access to our ebook online or by storing it on your computer, you have convenient answers with Husqvarna 365 Xp Manual To get started finding Husqvarna 365 Xp Manual, you are right to find our website which has a comprehensive collection of books online. Our library is the biggest of these that have literally hundreds of thousands of different products represented. You will also see that there are specific sites catered to different categories or niches related with Husqvarna 365 Xp Manual So depending on what exactly you are searching, you will be able to choose ebook to suit your own need. Thank you for reading Husqvarna 365 Xp Manual. Maybe you have knowledge that, people have search numerous times for their favorite readings like this Husqvarna 365 Xp Manual, but end up in harmful downloads. Rather than reading a good book with a cup of coffee in the afternoon, instead they juggled with some harmful bugs inside their laptop. Husqvarna 365 Xp Manual is available in our book collection an online access to it is set as public so you can download it instantly. Our digital library spans in multiple locations, allowing you to get the most less latency time to download any of our books like this one. Merely said, Husqvarna 365 Xp Manual is universally compatible with any devices to read.

### **Find Husqvarna 365 Xp Manual :**

#### **facom ac manual**

*factory workshop manual for xr250r 04 model*

*factory reset iphone 3gs forgot password*

*face au danger lepeacuteniste la reacutevolution citoyenne*

#### **face behind the mask**

#### **fairmont modular townhouse supplement user guide**

*factoring algebra book b page 75*

*facetis websam answers*

#### **fable ii character guide**

#### **fade in the company of shadows 4 santino hassell**

*faith heaven sent 4 jet mykles*

*fairy tail tome*



**fae of eon sons of camelot trilogy book 2****f58may 201mark scheme**

face exfoliator recipe

**Husqvarna 365 Xp Manual :**

Stuvia 1986236 test bank for introduction to maternity and ... Stuvia 1986236 test bank for introduction to maternity and pediatric nursing 9th edition by gloria leifer chapter 1 34 newest version 2022 ... \$103 per month? Test Bank For Introduction to Maternity and Pediatric ... Test Bank For Introduction to Maternity and Pediatric Nursing 9th Edition BY Gloria Leifer · 1. A patient chooses to have the certified nurse-midwife (CNM) ... Introduction to Maternity and Pediatric Nursing 9th Edition ... Jun 25, 2023 — Test Bank - Introduction to Maternity and Pediatric Nursing 9th Edition By Gloria Leifer | Chapter 1 - 34, Complete Guide 2023| Test Bank - Test Bank for Introduction to Maternity & Pediatric Nursing Test Bank for Introduction to Maternity & Pediatric Nursing, Gloria Leifer, 9th Edition. ... Perry, Hockenberry, Lowdermilk & Cashion, 7th Edition. \$50.00 \$30.00. Introduction to Maternity and Pediatric Nursing 9th Edition ... Introduction to Maternity and Pediatric Nursing 9th Edition Leifer Test Bank. \$ 30,00 \$ 15,00. All Chapters, Complete Q & A, Latest| Test Bank For ... Mar 25, 2023 — Test Bank For Introduction to Maternity and Pediatric Nursing 9th Edition By Gloria Leifer |All Chapters, Complete Q & A, Latest| Contemporary Maternal-Newborn Nursing 9th Edition Test ... Contemporary Maternal-Newborn Nursing, 9e (Ladewig et al.) Chapter 9 Antepartum Nursing Assessment. 1) The pregnant client has completed the prenatal ... Test Bank For Introduction to Maternity and Pediatric ... Sep 25, 2022 — Test Bank Introduction to Maternity and Pediatric Nursing 9th Edition BY Gloria Leifer Chapter 1-34 Newest Version 2022. chapter 1-test bank 21st century maternity and womens ... 1. To assess a mothers risk of having a low-birth-weight (LBW) infant, what is the most important factor for the nurse to consider? test bank chapter 1 - Lowdermilk: Maternity Nursing 8th... View Test Prep - test bank chapter 1 from NURS 125 at Raritan Valley Community College. Lowdermilk: Maternity Nursing, 8th Edition Chapter 01: 21st Century ... Human Anatomy & Physiology Laboratory Manual Our resource for Human Anatomy & Physiology Laboratory Manual includes answers to chapter exercises, as well as detailed information to walk you through the ... Anatomy & Physiology Lab Manuals ANSWER KEYS Request your answer keys for the Anatomy & Physiology Lab Manuals. Anatomy & Physiology Lab Manual - Exercise 1 (The ... Check my page for more answers to the questions from the Anatomy and Physiology lab manual! (These answers come from the sixth edition manual.) High School Lab Manual Answer Key This NEW Laboratory Manual is ideal for the high school classroom. It has 28 hands-on laboratory activities to complement any Anatomy & Physiology course or ... AP1 Lab Manual Answers - Anatomy and Physiology ... AP1 Lab Manual Answers ; Anatomy & ; Lab 1: Body Plan and Homeostasis ; Objectives for this Lab ; 1. Demonstrate correct anatomical position. ; 2.

Use directional ... STEP BY STEP ANSWERS FOR HUMAN ANATOMY & ... Buy STEP BY STEP ANSWERS FOR HUMAN ANATOMY & PHYSIOLOGY LABORATORY MANUAL: CAT VERSION, 12th edition: Read Kindle Store Reviews - Amazon.com. Anatomy and physiology lab manual answers exercise 2 Anatomy and physiology lab manual exercise 29 answers. Human anatomy and physiology lab manual exercise 21 answers. CENTER FOR OPEN EDUCATION | The Open ... Answer Key for Use with Laboratory Manual for Anatomy & ... Answer Key for Use with Laboratory Manual for Anatomy & Physiology and Essentials of Human Anatomy and Physiology Laboratory Manual - Softcover ... Human Anatomy & Physiology Laboratory Manual, Main ... Study Frequently asked questions. What are Chegg Study step-by-step Human Anatomy & Physiology Laboratory Manual, Main Version 11th Edition Solutions Manuals? Human Anatomy & Physiology Laboratory Manual, Main ... Guided explanations and solutions for Marieb/Smith's Human Anatomy & Physiology Laboratory Manual, Main Version (12th Edition). Homelink - Say Dez - Drivers School Assignment.pdf 1 Lesson One Road User Behavior Observation Intersection: Woodroffe-Baseline. The light is amber for 5 seconds, and the duration of the red light was 75 ... Say Dez School Homelink Answers Zip Say Dez School Homelink Answers Zip. It has been a joy to visit learning spaces over the past four months and see our students reengaged in their classroom ... "Say Dez!" Please bring back your answers to class for lesson # 8 (Adversities & Emergencies) session of the in-class instructions at your driving school. You will be ... Say Dez School Homelink Answers Zip Are you looking for the answers to the homelink assignments of the Say Dez School of Driving? If so, you may be tempted to download a file called "say dez ... Say Dez School Homelink Answers Zip \_\_LINK\_\_ - ... Say Dez School Homelink Answers Zip \_\_LINK\_\_ ; LEVEL UP! MORTAL KOMBAT 11 · Gaming · 4657 views ; 13 Coubs On Friday The 13th · Horror Movies · 2628 views. Say Dez Homelink - Fill Online, Printable, Fillable, Blank Fill Say Dez Homelink, Edit online. Sign, fax and printable from PC, iPad, tablet or mobile with pdfFiller Instantly. Try Now! B.D.E. Curriculum (English) | "Say Dez!" The home study or "Home link" consists of two (2) observation lessons prior to being in the car, then four (4) independent home research projects while the ... Say Dez Homelink - Fill Online, Printable, Fillable, Blank Fill Say Dez Homelink, Edit online. Sign, fax and printable from PC, iPad, tablet or mobile with pdfFiller Instantly. Try Now! Student Resources Home Link Class Sessions ; Microsoft Word, HOMELINK Lesson 1 - Review Questions.doc. Size: 42 Kb Type: doc ; PowerPoint, HOMELINK LESSON 2 - The Vehicle and its ...