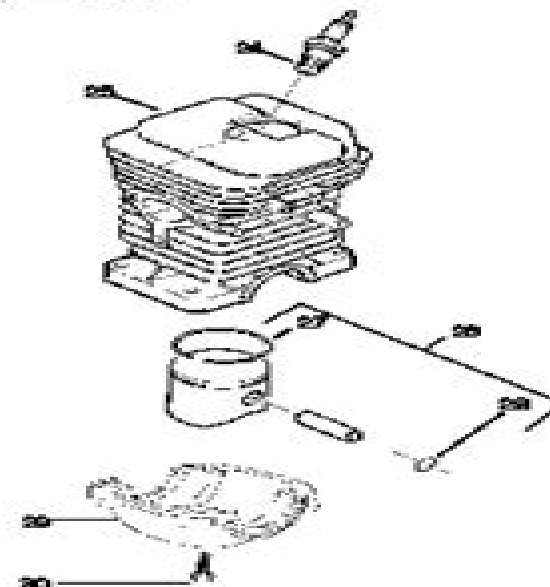


WARNING
 All repairs, adjustments and maintenance not described in the Operator's Manual must be performed by qualified service personnel.



Ref.	Part No.	Description
1	550071348	Kit: Lever & Link Assy. (incl. 3, 2)
2	550000 872	Pin: Pin
3	550018 018	Pin: Link
4	550018 071	Screw
5	550004 741	Assy: Front Link
6	550018 237	Spring: Chain Brake
7	550004 418	Piston
8	550018 384	Screw
9	550008 321	Journal: Right
10	550008 321	Journal: Left
11	550008 381	Spring: Horizontal
12	550018 072	Pin: Spring
13	550008 232	Pin: Stop
14	550004 802	Assy: Chain Brake (incl. 1, 2, 3, 4, 5, 6, 7, 8, 9, 10, 11, 12, 13, 14, 15, 16, 17, 18, 19, 20, 21)
15	550000 878	Spring: Piston
16	550008 408	Cover: Clutch
17	550018 328	Pin: Bar Adjusting
18	550008 328	Piston
19	550018 710	Screw: Bar Adjusting
20	550008 028	Cover: Chain Brake Spring
21	550018 071	Screw
22	550018 384	Screw
23	550008 382	Wash: Cylinder
24	550008 330	Wash: Plug (PCU-7)
25	550008 410	Kit: Cylinder (Mod) (incl. 25, 26, 27, 28, 29)

Ref.	Part No.	Description
26	55 0008 410	Kit: Piston (Mod) (includes pin and 27, 28)
27	55 0008 328	Pin: Piston (Mod)
28	55 0018 328	Piston: Pin Piston
29	55 0018 710	Cop: Covercase
30	55 0018 328	Screw
		Not Shown
		Manual: Operator's
		(Page / Chap.)
		(Part / Assy.)
		(Wash)
		(Wash 1)
		(Wash 2)
		(Wash 3)
		(Wash 4)
		(Wash 5)
		(Wash 6)
		(Wash 7)
		(Wash / Pin)
		(Wash)
		(Wash)
		Screw
		Check: International Working
		Check: Working
		Check: Working (Push)
		Check: Off Working (Start/Stop)

Husqvarna 137 Manual

R Sandford



Husqvarna 137 Manual:

Yeah, reviewing a books **Husqvarna 137 Manual** could accumulate your near connections listings. This is just one of the solutions for you to be successful. As understood, talent does not recommend that you have fabulous points.

Comprehending as well as contract even more than new will manage to pay for each success. adjacent to, the proclamation as competently as keenness of this Husqvarna 137 Manual can be taken as well as picked to act.

<https://staging.conocer.cide.edu/files/uploaded-files/fetch.php/julio%20popper%20dernier%20roi%20terre.pdf>

Table of Contents Husqvarna 137 Manual

1. Understanding the eBook Husqvarna 137 Manual
 - The Rise of Digital Reading Husqvarna 137 Manual
 - Advantages of eBooks Over Traditional Books
2. Identifying Husqvarna 137 Manual
 - Exploring Different Genres
 - Considering Fiction vs. Non-Fiction
 - Determining Your Reading Goals
3. Choosing the Right eBook Platform
 - Popular eBook Platforms
 - Features to Look for in an Husqvarna 137 Manual
 - User-Friendly Interface
4. Exploring eBook Recommendations from Husqvarna 137 Manual
 - Personalized Recommendations
 - Husqvarna 137 Manual User Reviews and Ratings
 - Husqvarna 137 Manual and Bestseller Lists
5. Accessing Husqvarna 137 Manual Free and Paid eBooks
 - Husqvarna 137 Manual Public Domain eBooks
 - Husqvarna 137 Manual eBook Subscription Services

- Husqvarna 137 Manual Budget-Friendly Options
- 6. Navigating Husqvarna 137 Manual eBook Formats
 - ePub, PDF, MOBI, and More
 - Husqvarna 137 Manual Compatibility with Devices
 - Husqvarna 137 Manual Enhanced eBook Features
- 7. Enhancing Your Reading Experience
 - Adjustable Fonts and Text Sizes of Husqvarna 137 Manual
 - Highlighting and Note-Taking Husqvarna 137 Manual
 - Interactive Elements Husqvarna 137 Manual
- 8. Staying Engaged with Husqvarna 137 Manual
 - Joining Online Reading Communities
 - Participating in Virtual Book Clubs
 - Following Authors and Publishers Husqvarna 137 Manual
- 9. Balancing eBooks and Physical Books Husqvarna 137 Manual
 - Benefits of a Digital Library
 - Creating a Diverse Reading Collection Husqvarna 137 Manual
- 10. Overcoming Reading Challenges
 - Dealing with Digital Eye Strain
 - Minimizing Distractions
 - Managing Screen Time
- 11. Cultivating a Reading Routine Husqvarna 137 Manual
 - Setting Reading Goals Husqvarna 137 Manual
 - Carving Out Dedicated Reading Time
- 12. Sourcing Reliable Information of Husqvarna 137 Manual
 - Fact-Checking eBook Content of Husqvarna 137 Manual
 - Distinguishing Credible Sources
- 13. Promoting Lifelong Learning
 - Utilizing eBooks for Skill Development
 - Exploring Educational eBooks
- 14. Embracing eBook Trends

- Integration of Multimedia Elements
- Interactive and Gamified eBooks

Husqvarna 137 Manual Introduction

In this digital age, the convenience of accessing information at our fingertips has become a necessity. Whether its research papers, eBooks, or user manuals, PDF files have become the preferred format for sharing and reading documents. However, the cost associated with purchasing PDF files can sometimes be a barrier for many individuals and organizations. Thankfully, there are numerous websites and platforms that allow users to download free PDF files legally. In this article, we will explore some of the best platforms to download free PDFs. One of the most popular platforms to download free PDF files is Project Gutenberg. This online library offers over 60,000 free eBooks that are in the public domain. From classic literature to historical documents, Project Gutenberg provides a wide range of PDF files that can be downloaded and enjoyed on various devices. The website is user-friendly and allows users to search for specific titles or browse through different categories. Another reliable platform for downloading Husqvarna 137 Manual free PDF files is Open Library. With its vast collection of over 1 million eBooks, Open Library has something for every reader. The website offers a seamless experience by providing options to borrow or download PDF files. Users simply need to create a free account to access this treasure trove of knowledge. Open Library also allows users to contribute by uploading and sharing their own PDF files, making it a collaborative platform for book enthusiasts. For those interested in academic resources, there are websites dedicated to providing free PDFs of research papers and scientific articles. One such website is Academia.edu, which allows researchers and scholars to share their work with a global audience. Users can download PDF files of research papers, theses, and dissertations covering a wide range of subjects. Academia.edu also provides a platform for discussions and networking within the academic community. When it comes to downloading Husqvarna 137 Manual free PDF files of magazines, brochures, and catalogs, Issuu is a popular choice. This digital publishing platform hosts a vast collection of publications from around the world. Users can search for specific titles or explore various categories and genres. Issuu offers a seamless reading experience with its user-friendly interface and allows users to download PDF files for offline reading. Apart from dedicated platforms, search engines also play a crucial role in finding free PDF files. Google, for instance, has an advanced search feature that allows users to filter results by file type. By specifying the file type as "PDF," users can find websites that offer free PDF downloads on a specific topic. While downloading Husqvarna 137 Manual free PDF files is convenient, its important to note that copyright laws must be respected. Always ensure that the PDF files you download are legally available for free. Many authors and publishers voluntarily provide free PDF versions of their work, but its essential to be cautious and verify the authenticity of the source before downloading Husqvarna 137 Manual. In conclusion, the internet offers numerous

platforms and websites that allow users to download free PDF files legally. Whether its classic literature, research papers, or magazines, there is something for everyone. The platforms mentioned in this article, such as Project Gutenberg, Open Library, Academia.edu, and Issuu, provide access to a vast collection of PDF files. However, users should always be cautious and verify the legality of the source before downloading Husqvarna 137 Manual any PDF files. With these platforms, the world of PDF downloads is just a click away.

FAQs About Husqvarna 137 Manual Books

How do I know which eBook platform is the best for me? Finding the best eBook platform depends on your reading preferences and device compatibility. Research different platforms, read user reviews, and explore their features before making a choice. Are free eBooks of good quality? Yes, many reputable platforms offer high-quality free eBooks, including classics and public domain works. However, make sure to verify the source to ensure the eBook credibility. Can I read eBooks without an eReader? Absolutely! Most eBook platforms offer webbased readers or mobile apps that allow you to read eBooks on your computer, tablet, or smartphone. How do I avoid digital eye strain while reading eBooks? To prevent digital eye strain, take regular breaks, adjust the font size and background color, and ensure proper lighting while reading eBooks. What the advantage of interactive eBooks? Interactive eBooks incorporate multimedia elements, quizzes, and activities, enhancing the reader engagement and providing a more immersive learning experience. Husqvarna 137 Manual is one of the best book in our library for free trial. We provide copy of Husqvarna 137 Manual in digital format, so the resources that you find are reliable. There are also many Ebooks of related with Husqvarna 137 Manual. Where to download Husqvarna 137 Manual online for free? Are you looking for Husqvarna 137 Manual PDF? This is definitely going to save you time and cash in something you should think about. If you trying to find then search around for online. Without a doubt there are numerous these available and many of them have the freedom. However without doubt you receive whatever you purchase. An alternate way to get ideas is always to check another Husqvarna 137 Manual. This method for see exactly what may be included and adopt these ideas to your book. This site will almost certainly help you save time and effort, money and stress. If you are looking for free books then you really should consider finding to assist you try this. Several of Husqvarna 137 Manual are for sale to free while some are payable. If you arent sure if the books you would like to download works with for usage along with your computer, it is possible to download free trials. The free guides make it easy for someone to free access online library for download books to your device. You can get free download on free trial for lots of books categories. Our library is the biggest of these that have literally hundreds of thousands of different products categories represented. You will also see that there are specific sites catered to different product types or categories, brands or niches related with Husqvarna 137

Manual. So depending on what exactly you are searching, you will be able to choose e books to suit your own need. Need to access completely for Campbell Biology Seventh Edition book? Access Ebook without any digging. And by having access to our ebook online or by storing it on your computer, you have convenient answers with Husqvarna 137 Manual To get started finding Husqvarna 137 Manual, you are right to find our website which has a comprehensive collection of books online. Our library is the biggest of these that have literally hundreds of thousands of different products represented. You will also see that there are specific sites catered to different categories or niches related with Husqvarna 137 Manual So depending on what exactly you are searching, you will be able to choose ebook to suit your own need. Thank you for reading Husqvarna 137 Manual. Maybe you have knowledge that, people have search numerous times for their favorite readings like this Husqvarna 137 Manual, but end up in harmful downloads. Rather than reading a good book with a cup of coffee in the afternoon, instead they juggled with some harmful bugs inside their laptop. Husqvarna 137 Manual is available in our book collection an online access to it is set as public so you can download it instantly. Our digital library spans in multiple locations, allowing you to get the most less latency time to download any of our books like this one. Merely said, Husqvarna 137 Manual is universally compatible with any devices to read.

Find Husqvarna 137 Manual :

julio popper dernier roi terre

jpm global biotech outlook 2014

[jss3 past question 3](#)

[journeys lesson plans first grade](#)

[jsus christ est vrit catchiste](#)

judy martins ultimate book of quilt block patterns

journals of real female domination

[journeys vocabulary cards 4th grade](#)

[jsc last time preparation dhaka bord 2015](#)

[jsc exam 2014 english qursen barishal boad](#)

jours de juin

[julius caesar savenger hunt answers](#)

[journeys 5th grade spelling words](#)

[journey of the angels the tobias materials](#)

jrc radar 1800 user guide

Husqvarna 137 Manual :**la chanson de la rue saint paul poesie alfred louis edmond** - Mar 07 2022

web la chanson de la rue saint paul poesie getting the books la chanson de la rue saint paul poesie now is not type of challenging means you could not isolated going with ebook store or library or borrowing from your associates to get into them this is an extremely easy means to specifically get lead by on line

la chanson de la rue saint paul max elskamp gallimard - Dec 16 2022

web découvrez et achetez la chanson de la rue saint paul max elskamp gallimard sur leslibraires fr

la chanson de la rue saint paul et autres poèmes goodreads - Apr 20 2023

web la chanson de la rue saint paul et autres poèmes book read reviews from world s largest community for readers anversois toute sa vie durant elskamp 1

la chanson de la rue saint paul la chansons d amures les babelio - May 21 2023

web feb 13 1997 critiques citations 15 extraits de la chanson de la rue saint paul la chansons d amu de max elskamp a ma mère Ô claire suzanne adolphine ma mère qui m étiez divi

paradis des albatros la chanson de la rue saint paul - Jul 23 2023

web la chanson de la rue saint paul i c est ta rue saint paul celle où tu es né un matin de mai À la marée haute c est ta rue saint paul blanche comme un pôle dont le vent est l hôte au long de l année maritime et tienne de tout un passé chrétienne et païenne d hiver et d été le fleuve est au bout du ciel qu on y voit faire sur les toits

la chanson de la rue saint paul chansons d amures rakuten - Aug 12 2022

web collectionneur d instruments de marine et d astronomie inventeur d un thermomètre sachant lui même fort bien dessiner il illustrera certains de ses recueils elskamp reçoit aussi bien les influences du folklore flamand que celles dues à sa fréquentation des grandes spiritualités chrétiennes et orientales voire de l ésotérisme

la chanson de la rue saint paul poésie by max elskamp - Feb 06 2022

web saint paul 1922 1 citations vege dream ramenez la coupe a la maison la chanson de la rue saint paul poésie gallimard livre la chanson de la rue saint paul max elskamp chanson de la rue saint paul achat vente livre elskamp chaque soir la rue saint vincent applaudit les soignants saint paul de vence wikipédia paroles la chanson de paul

la chanson de la rue saint paul max elskamp senscritique - Feb 18 2023

web la chanson de la rue saint paul est un livre de max elskamp résumé ouvrage poétique sur les souvenirs de jeunesse de max

max elskamp la chanson de la rue saint paul uliege be - Jun 22 2023

web max elskamp la chanson de la rue saint paul poésie gallimard 1997 356 p poète symboliste francophone anversois 1862 1931 de père flamand et de mère wallonne max elskamp a écrit une petite trentaine de recueils de poèmes

[la chanson de la rue saint paul max elskamp cultura](#) - Sep 13 2022

web la chanson de la rue saint paul par max elskamp aux éditions gallimard anversois toute sa vie durant elskamp 1862 1931 a fréquenté grâce à son ami van de velde les grands peintres de la fin du xix siècle bonnard seurat notam

max elskamp la chanson de la rue saint paul uliege be - Sep 25 2023

web max elskamp la chanson de la rue saint paul poésie gallimard 1997 356 p poète symboliste francophone anversois 1862 1931 de père flamand et de mère wallonne max elskamp a écrit une petite trentaine de recueils de poèmes

la chanson de la rue de saint paul et autres poèmes - Apr 08 2022

web 9782070329700 la chanson de la rue de saint paul et autres poèmes 9782070329700 he leído y acepto la política de privacidad de la central aceptar ca es alta newsletter iniciar sesión registrarse la chanson de la rue de saint paul et autres poèmes editorial gallimard ean 9782070329700

la chanson de la rue saint paul max elskamp gallimard - Oct 14 2022

web feb 13 1997 anversois toute sa vie durant elskamp 1862 1931 a fréquenté grâce à son ami van de velde les grands peintres de la fin du xix siècle bonnard seurat notamment ainsi que mallarmé maeterlinck et verlaine

la chanson de la rue saint paul précédé de sous les babelio - Mar 19 2023

web critiques citations 2 extraits de la chanson de la rue saint paul précédé de sous de max elskamp la chair il est celle qui rit il est celle qui pleure et celle

la chanson de la rue saint paul chansons d amures les - Jan 17 2023

web les recueils rassemblés ici correspondent à la période la plus créative du poète anversois 1921 1924 et offre une palette tout à fait représentative du grand symboliste qui occupe une position esthétique nettement bornée par mallarmé mais dont la tonalité dominante du style poétique est bien verlainien

la chanson de la rue saint paul et autres poèmes - Nov 15 2022

web les recueils rassemblés ici correspondent à la période la plus créative du poète anversois 1921 1924 et offre une palette tout à fait représentative du grand symboliste qui occupe une position esthétique nettement bornée par mallarmé mais dont la tonalité dominante du style poétique est bien verlainien

la chanson de la rue saint paul max elskamp athenaeum - Jul 11 2022

web découvrez et achetez la chanson de la rue saint paul max elskamp gallimard sur athenaeum com

la chanson de la rue saint paul chansons de max elskamp - Jun 10 2022

web jan 1 1997 la chanson de la rue saint paul chansons d amures les délectations moroses aegri somnia de max elskamp

collection poésie livraison gratuite à 0 01 dès 35 d achat librairie decitre votre prochain livre est là
la chanson de la rue saint paul poche max elskamp fnac - May 09 2022

web la chanson de la rue saint paul max elskamp gallimard des milliers de livres avec la livraison chez vous en 1 jour ou en magasin avec 5 de réduction

max elskamp la chanson de la rue saint paul et autres poèmes - Aug 24 2023

web max elskamp la chanson de la rue saint paul et autres poèmes Édition présentée par p gorceix paris gallimard coll poésie 1997 356 p jean pierre bertrand p 246 247 doi org 10 4000 textyles 1296 référence s max e lskamp la chanson de la rue saint paul et autres poèmes Édition présentée par p gorceix

princess of snooze journal nara yoshitomo and chronicle - Feb 08 2023

web princess of snooze journal by nara yoshitomo and chronicle books available in trade paperback on powells com also read synopsis and reviews

9780811848909 princess of snooze journal nara yoshitomo - Apr 10 2023

web princess of snooze journal find all books from nara yoshitomo at find more books com you can find used antique and new books compare results and immediately purchase your selection at the best price 9780811848909 a gift journal chronicle books misc supplies 192 seiten publiziert 2005 06 02t00 00 01z

princess of snooze journal yoshitomo nara uniport edu - Feb 25 2022

web right here we have countless books princess of snooze journal yoshitomo nara and collections to check out we additionally have enough money variant types and also type of the books to browse

princess of snooze journal nara yoshitomo 9780811848909 - Mar 09 2023

web jun 1 2005 princess of snooze journal nara yoshitomo 9780811848909 books amazon ca skip to main content ca hello select your address books select the department you want to search in search amazon ca en

princess of snooze journal yoshitomo nara old syndeohro - Sep 03 2022

web princess of snooze journal yoshitomo nara 3 3 star wars yoshitomo nara follow the trajectory of yoshitomo nara one of the most prominent contemporary artists whose work has grown in complexity and nuance over the past three decades thirty years after yoshitomo nara rocketed to fame with his paintings of

princess of snooze journal yoshitomo nara pdf - Mar 29 2022

web jul 16 1999 2 princess of snooze journal yoshitomo nara 2021 08 05 adult life in the us featuring previously unpublished drawings and sketches from the artists archive the book includes an essay by the exhibition

princess of snooze journal nara yoshitomo 9780811848909 - Oct 16 2023

web jun 2 2005 yoshitomo nara is one of the most influential contemporary artists in japan and worldwide his awe inspiring

paintings drawings sculptures and photos feature a mischievous cast of children and their larger than life pets

princess of snooze journal designers books - Aug 14 2023

web yoshitomo nara is one of the most influential contemporary artists in japan and worldwide his awe inspiring paintings

drawings sculptures and photos feature a mischievous cast of children and their larger than life pets

princess of snooze journal yoshitomo nara amazon com - May 11 2023

web jun 30 2005 princess of snooze journal yoshitomo nara chronicle books yoshitomo nara 9780811848909 amazon com

books books crafts hobbies home currently unavailable we don t know when or if this item will be back in stock select

delivery location

princess of snooze journal by yoshitomo nara open library - Sep 15 2023

web jun 2 2005 princess of snooze journal by yoshitomo nara june 2 2005 chronicle books edition paperback in english

yoshitomo nara princess of snooze journal 3763984216 - Nov 05 2022

web yoshitomo nara princess of snooze journal shipped with usps priority mail 5 1 x 0 5 x 7 2 inches192 pagesyoshitomo nara

is one of the most influential contemporary artists in japan and worldwide hi from

yoshitomo nara princess of snooze journal shopee philippines - Apr 29 2022

web buy yoshitomo nara princess of snooze journal online today yoshitomo nara is one of the most influential contemporary

artists in japan and worldwide his awe inspiring paintings drawings sculptures and photos feature a mischievous cast of

children and their larger than life pets

princess of snooze journal nara yoshitomo 9780811848909 - Jun 12 2023

web abebooks com princess of snooze journal 9780811848909 by nara yoshitomo and a great selection of similar new used

and collectible books available now at great prices

princess of snooze journal by yoshimoto nara chronicle books - Dec 06 2022

web buy princess of snooze journal by yoshimoto nara chronicle books llc online at alibris we have new and used copies

available in 1 editions starting at shop now

princess of snooze journal yoshitomo nara paperback - Jan 07 2023

web princess of snooze journal yoshitomo nara 9780811848909 books amazon ca skip to main content ca hello select your

address books select the department you want to search in search amazon ca en hello sign in account lists returns

princess of snooze journal yoshitomo nara book pivotid uvu - Aug 02 2022

web princess of snooze journal yoshitomo nara princess of snooze journal yoshitomo nara 2 downloaded from pivotid uvu edu

on 2022 09 26 by guest before seen images of kaws at work revealing the meticulous process behind his iconic artworks

accompanying a major retrospective exhibition at the brooklyn museum it captures the artist s unique

yoshitomo nara yoshitomo nara princess of snooze 2023 - Jul 01 2022

web for sale on 1stdibs yoshitomo nara princess of snooze 2023 paper by yoshitomo nara offered by the blackwood gallery

yoshitomo nara princess of snooze 2023 artsy - Oct 04 2022

web available for sale from pinto gallery yoshitomo nara princess of snooze 2023 lithograph 72 8 51 5 cm

yoshitomo nara b 1959 christie s - May 31 2022

web yoshitomo nara b 1959 princess of snooze signed titled and dated princess of snooze y nara 01 on the stretcher acrylic on canvas 90 x 71½ in 228 6 x 181 6 cm painted in 2001

princess of snooze journal nara yoshitomo amazon in books - Jul 13 2023

web select the department you want to search in

annie leibovitz at work by annie leibovitz goodreads - Mar 28 2022

web jan 1 2008 the enduring impact of leibovitz s work and its singular beauty elevates photography to the realm of art that s why it was exciting to read annie leibovitz at work and learn more about her sources of inspiration her experiences as well as both her creative and technical photographic processes

how to photograph annie leibovitz the new york times - Jun 11 2023

web nov 8 2021 the portraits of ms leibovitz that accompany the article shot by the photographer gillian laub are just as illuminating intimate and inviting the photos capture the vulnerable often unseen

looking back at your work annie leibovitz teaches photography - Oct 03 2022

web looking back at your work annie leibovitz teaches photography masterclass arts entertainment design style looking back at your work annie leibovitz lesson time 7 23 min annie discusses the importance of self reflection and explains why it s so important for every photographer to look back at their work

annie leibovitz photography bio ideas theartstory - Jun 30 2022

web annie leibovitz s is best known for her portraiture and her unique ability to exaggerate and enhance the characteristics of her subjects iconic figures spanning celebrity creative and intellectual circles have sought to work with leibovitz in admiration of

relooking at a legend annie leibovitz at work crystal - Oct 15 2023

web sep 16 2023 our friends at crystal bridges museum of american art opned annie leibovitz at work recently an installation of photographs by one of the most influential artists of our time on view through january 29 2024 annie leibovitz at work will premiere at crystal bridges before embarking on a four city tour across the nation

experience annie leibovitz at work at crystal bridges this winter - Mar 08 2023

web nov 8 2023 on view now through january 29 at crystal bridges museum of american art in bentonville ar annie leibovitz

at work is a new exhibition of portraits by the famed photographer in addition to her
review at work by annie leibovitz headstuff - Feb 07 2023

web jul 7 2019 annie leibovitz is an institution in photography an iconic one at that as of 2019 her career spans fifty years no mean feat for any profession let alone a creative pursuit in this time she has documented everything from the rolling stones in all their sweaty glory to bloodshed in sarajevo

annie leibovitz artnet - Aug 13 2023

web in 2008 the photographer authored and published the book annie leibovitz at work which dissects in detail how some of her most iconic images came to be the artist s photographs are held in the collections of the art institute of chicago the museum of modern art in new york and the los angeles county museum of art among others

annie leibovitz biography art portraits facts britannica - Sep 02 2022

web sep 28 2023 annie leibovitz american photographer renowned for her dramatic quirky and iconic portraits of celebrities notably a portrait of john lennon and yoko ono that was published on the cover of rolling stone her signature style is crisp and well lighted read more about leibovitz s life and career

annie leibovitz photos work portraits biography - Feb 24 2022

web apr 2 2014 1949 who is annie leibovitz annie leibovitz is a portrait photographer who in 1970 landed a job at rolling stone and went on to create a distinctive look for the publication as chief

an exclusive look at annie leibovitz at work vogue - Sep 14 2023

web sep 15 2023 composed of new and rarely seen recent photographs integrated with many images made during leibovitz s legendary career including several taken for vogue and vanity fair annie leibovitz

[annie leibovitz at work crystal bridges museum of american art](#) - Jul 12 2023

web sep 16 2023 experience annie leibovitz at work a new exhibition of portraits by the famed photographer in addition to her iconic and daring pictures for magazines like rolling stone vanity fair and vogue the show includes a set of new works made just for crystal bridges leibovitz s first museum commission

exhibition review annie leibovitz musée magazine - Dec 05 2022

web nov 22 2021 her wonderland exhibition at hauser wirth southampton which takes its name from her first couture shoot with vogue shows the range of leibovitz s work while many of these works may have been commissioned as fashion photography the crux of leibovitz s work resides in revealing and capturing the subject rather than simply

annie leibovitz at work photography store phaidon - Nov 04 2022

web the subjects include photojournalism studio work photographing dancers and athletes working with writers and making the transition from shooting with film to working with digital cameras originally published in 2008 this revised and updated

edition brings leibovitz s bestselling book back into print

[annie leibovitz artanddesign the guardian](#) - Aug 01 2022

web mar 31 2019 queen photographed with youngest royals to mark 90th birthday family portrait shot by annie leibovitz

shows first nonagenarian monarch surrounded by her five great grandchildren and two youngest

the photographer annie leibovitz s new show builds on the - May 10 2023

web oct 20 2023 all of these passions and more appear in annie leibovitz at work a show of about 300 photographs at the crystal bridges museum of american art in bentonville ark the exhibition

[ikea selects six photographers for annie leibovitz mentorship](#) - Jan 06 2023

web nov 7 2023 six young photographers will work under annie leibovitz and ikea creative director marcus engman for the mentorship program the six photographers will have their works displayed alongside that of

annie leibovitz about photography blog - May 30 2022

web apr 8 2023 discover the life career and impact of iconic photographer annie leibovitz in this in depth article exploring her unique style techniques gear and famous works uncover the secrets behind her captivating portraits and immerse

yourself in her world of photography perfect for photography enthusiasts and professionals alike

annie leibovitz at work book review digital photography school - Apr 28 2022

web perhaps this book annie leibovitz at work will fit the bill linda one of our great forum admins reviews it here not your

usual collection of photographic images this is more than just a picture book in it leibovitz takes you through life as a

photographer what it means to her and the background of some of her famous and some not so

annie leibovitz the un fashion photographer the new york times - Apr 09 2023

web nov 4 2021 annie leibovitz would like to make one thing clear upfront she is not a fashion photographer given that her

new book wonderland phaidon is an anthology of fashion images shot