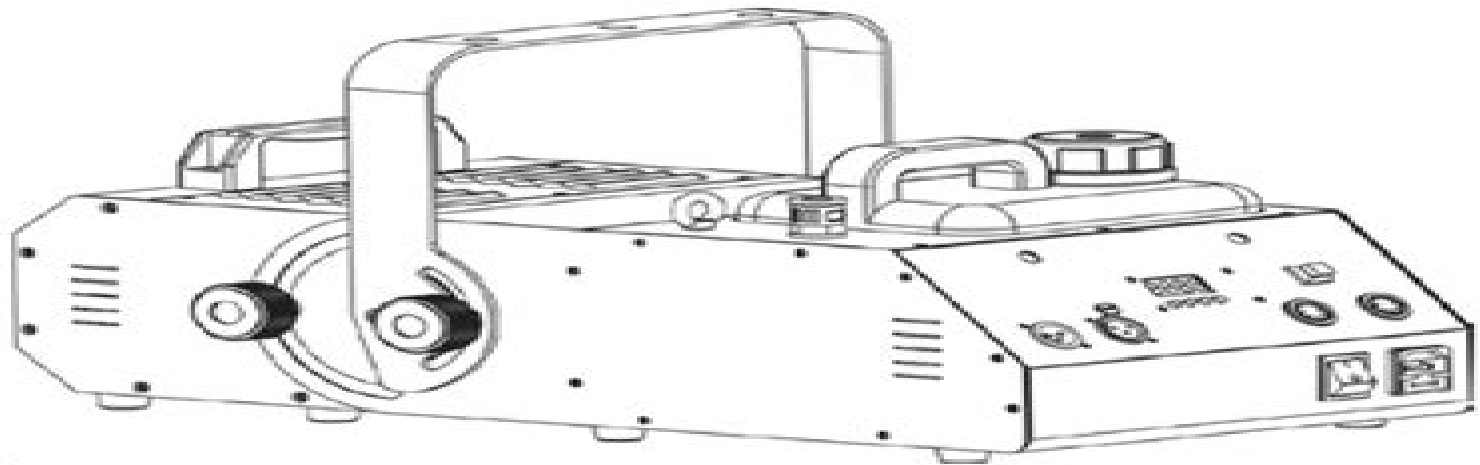


# **HURRICANE**

## **1800 FLEX**

Version 2

### **Quick Reference Guide**



**CHAUVET**

# Hurricane 1800 Flex Manual

**Jessica J Manson**



## **Hurricane 1800 Flex Manual:**

Delve into the emotional tapestry woven by Crafted by in Experience **Hurricane 1800 Flex Manual** . This ebook, available for download in a PDF format ( \*), is more than just words on a page; it is a journey of connection and profound emotion. Immerse yourself in narratives that tug at your heartstrings. Download now to experience the pulse of each page and let your emotions run wild.

<https://staging.conocer.cide.edu/files/publication/HomePages/making%20news%20at%20the%20new%20york%20times%20nikki%20usher.pdf>

## **Table of Contents Hurricane 1800 Flex Manual**

1. Understanding the eBook Hurricane 1800 Flex Manual
  - The Rise of Digital Reading Hurricane 1800 Flex Manual
  - Advantages of eBooks Over Traditional Books
2. Identifying Hurricane 1800 Flex Manual
  - Exploring Different Genres
  - Considering Fiction vs. Non-Fiction
  - Determining Your Reading Goals
3. Choosing the Right eBook Platform
  - Popular eBook Platforms
  - Features to Look for in an Hurricane 1800 Flex Manual
  - User-Friendly Interface
4. Exploring eBook Recommendations from Hurricane 1800 Flex Manual
  - Personalized Recommendations
  - Hurricane 1800 Flex Manual User Reviews and Ratings
  - Hurricane 1800 Flex Manual and Bestseller Lists
5. Accessing Hurricane 1800 Flex Manual Free and Paid eBooks
  - Hurricane 1800 Flex Manual Public Domain eBooks
  - Hurricane 1800 Flex Manual eBook Subscription Services

- Hurricane 1800 Flex Manual Budget-Friendly Options
- 6. Navigating Hurricane 1800 Flex Manual eBook Formats
  - ePub, PDF, MOBI, and More
  - Hurricane 1800 Flex Manual Compatibility with Devices
  - Hurricane 1800 Flex Manual Enhanced eBook Features
- 7. Enhancing Your Reading Experience
  - Adjustable Fonts and Text Sizes of Hurricane 1800 Flex Manual
  - Highlighting and Note-Taking Hurricane 1800 Flex Manual
  - Interactive Elements Hurricane 1800 Flex Manual
- 8. Staying Engaged with Hurricane 1800 Flex Manual
  - Joining Online Reading Communities
  - Participating in Virtual Book Clubs
  - Following Authors and Publishers Hurricane 1800 Flex Manual
- 9. Balancing eBooks and Physical Books Hurricane 1800 Flex Manual
  - Benefits of a Digital Library
  - Creating a Diverse Reading Collection Hurricane 1800 Flex Manual
- 10. Overcoming Reading Challenges
  - Dealing with Digital Eye Strain
  - Minimizing Distractions
  - Managing Screen Time
- 11. Cultivating a Reading Routine Hurricane 1800 Flex Manual
  - Setting Reading Goals Hurricane 1800 Flex Manual
  - Carving Out Dedicated Reading Time
- 12. Sourcing Reliable Information of Hurricane 1800 Flex Manual
  - Fact-Checking eBook Content of Hurricane 1800 Flex Manual
  - Distinguishing Credible Sources
- 13. Promoting Lifelong Learning
  - Utilizing eBooks for Skill Development
  - Exploring Educational eBooks
- 14. Embracing eBook Trends

- Integration of Multimedia Elements
- Interactive and Gamified eBooks

### **Hurricane 1800 Flex Manual Introduction**

Free PDF Books and Manuals for Download: Unlocking Knowledge at Your Fingertips In today's fast-paced digital age, obtaining valuable knowledge has become easier than ever. Thanks to the internet, a vast array of books and manuals are now available for free download in PDF format. Whether you are a student, professional, or simply an avid reader, this treasure trove of downloadable resources offers a wealth of information, conveniently accessible anytime, anywhere. The advent of online libraries and platforms dedicated to sharing knowledge has revolutionized the way we consume information. No longer confined to physical libraries or bookstores, readers can now access an extensive collection of digital books and manuals with just a few clicks. These resources, available in PDF, Microsoft Word, and PowerPoint formats, cater to a wide range of interests, including literature, technology, science, history, and much more. One notable platform where you can explore and download free Hurricane 1800 Flex Manual PDF books and manuals is the internet's largest free library. Hosted online, this catalog compiles a vast assortment of documents, making it a veritable goldmine of knowledge. With its easy-to-use website interface and customizable PDF generator, this platform offers a user-friendly experience, allowing individuals to effortlessly navigate and access the information they seek. The availability of free PDF books and manuals on this platform demonstrates its commitment to democratizing education and empowering individuals with the tools needed to succeed in their chosen fields. It allows anyone, regardless of their background or financial limitations, to expand their horizons and gain insights from experts in various disciplines. One of the most significant advantages of downloading PDF books and manuals lies in their portability. Unlike physical copies, digital books can be stored and carried on a single device, such as a tablet or smartphone, saving valuable space and weight. This convenience makes it possible for readers to have their entire library at their fingertips, whether they are commuting, traveling, or simply enjoying a lazy afternoon at home. Additionally, digital files are easily searchable, enabling readers to locate specific information within seconds. With a few keystrokes, users can search for keywords, topics, or phrases, making research and finding relevant information a breeze. This efficiency saves time and effort, streamlining the learning process and allowing individuals to focus on extracting the information they need. Furthermore, the availability of free PDF books and manuals fosters a culture of continuous learning. By removing financial barriers, more people can access educational resources and pursue lifelong learning, contributing to personal growth and professional development. This democratization of knowledge promotes intellectual curiosity and empowers individuals to become lifelong learners, promoting progress and innovation in various fields. It is worth noting that while accessing free Hurricane 1800 Flex Manual PDF books and manuals is convenient and cost-effective, it is vital to respect

copyright laws and intellectual property rights. Platforms offering free downloads often operate within legal boundaries, ensuring that the materials they provide are either in the public domain or authorized for distribution. By adhering to copyright laws, users can enjoy the benefits of free access to knowledge while supporting the authors and publishers who make these resources available. In conclusion, the availability of Hurricane 1800 Flex Manual free PDF books and manuals for download has revolutionized the way we access and consume knowledge. With just a few clicks, individuals can explore a vast collection of resources across different disciplines, all free of charge. This accessibility empowers individuals to become lifelong learners, contributing to personal growth, professional development, and the advancement of society as a whole. So why not unlock a world of knowledge today? Start exploring the vast sea of free PDF books and manuals waiting to be discovered right at your fingertips.

### **FAQs About Hurricane 1800 Flex Manual Books**

1. Where can I buy Hurricane 1800 Flex Manual books? Bookstores: Physical bookstores like Barnes & Noble, Waterstones, and independent local stores. Online Retailers: Amazon, Book Depository, and various online bookstores offer a wide range of books in physical and digital formats.
2. What are the different book formats available? Hardcover: Sturdy and durable, usually more expensive. Paperback: Cheaper, lighter, and more portable than hardcovers. E-books: Digital books available for e-readers like Kindle or software like Apple Books, Kindle, and Google Play Books.
3. How do I choose a Hurricane 1800 Flex Manual book to read? Genres: Consider the genre you enjoy (fiction, non-fiction, mystery, sci-fi, etc.). Recommendations: Ask friends, join book clubs, or explore online reviews and recommendations. Author: If you like a particular author, you might enjoy more of their work.
4. How do I take care of Hurricane 1800 Flex Manual books? Storage: Keep them away from direct sunlight and in a dry environment. Handling: Avoid folding pages, use bookmarks, and handle them with clean hands. Cleaning: Gently dust the covers and pages occasionally.
5. Can I borrow books without buying them? Public Libraries: Local libraries offer a wide range of books for borrowing. Book Swaps: Community book exchanges or online platforms where people exchange books.
6. How can I track my reading progress or manage my book collection? Book Tracking Apps: Goodreads, LibraryThing, and Book Catalogue are popular apps for tracking your reading progress and managing book collections. Spreadsheets: You can create your own spreadsheet to track books read, ratings, and other details.

7. What are Hurricane 1800 Flex Manual audiobooks, and where can I find them? Audiobooks: Audio recordings of books, perfect for listening while commuting or multitasking. Platforms: Audible, LibriVox, and Google Play Books offer a wide selection of audiobooks.
8. How do I support authors or the book industry? Buy Books: Purchase books from authors or independent bookstores. Reviews: Leave reviews on platforms like Goodreads or Amazon. Promotion: Share your favorite books on social media or recommend them to friends.
9. Are there book clubs or reading communities I can join? Local Clubs: Check for local book clubs in libraries or community centers. Online Communities: Platforms like Goodreads have virtual book clubs and discussion groups.
10. Can I read Hurricane 1800 Flex Manual books for free? Public Domain Books: Many classic books are available for free as they're in the public domain. Free E-books: Some websites offer free e-books legally, like Project Gutenberg or Open Library.

### **Find Hurricane 1800 Flex Manual :**

~~making news at the new york times nikki usher~~

~~making practice fun 43 slope dot to dot~~

~~makerere university law school pre entry exams results~~

~~management information systems 10th edition raymond~~

~~managerial accounting 13th edition appendix solutions~~

~~makita 5277nb user guide~~

**management accounting and analysis handbook 3rd edition**

~~malaguti madison 125 150 scooter service repair workshop manual~~

**manager processes manual template**

~~making connections level students book paperback~~

~~making sense of the social world methods of investigation~~

~~makerere post graduate admission list 2015 2016 academic year~~

~~making solving equations fun~~

~~malle aux trsors louise pirates~~

~~malaysian sate recipe~~



**Hurricane 1800 Flex Manual :**

Hospital Housekeeping: Training, Standards & Checklist Oct 23, 2022 — This lesson will discuss the benefits of hospital housekeeping and the importance of standards for housekeeping employees. This lesson will ... Quiz & Worksheet - Hospital Housekeeping Basics By taking this quiz, you'll measure your understanding of hospital housekeeping basics. The quiz/worksheet is printable, which allows you to view... 10-hour Healthcare: Housekeeping Safety Program Access 100% of our training material for free, including the study guide, knowledge check activities, course activities and resources, and course exams. Hospital Housekeeping Training Manual This convenient guide summarizes the contents of each of the hospital housekeeping training videos available through ISSA (Theory of Infectious Cleaning; BSI ... HP\_Housekeeping-Manual.pdf Feb 16, 2016 — The Manual is to assist you to develop your own cleaning policies and procedures, or to use as it is if you prefer, and consists of three ... Full Guide To Hospital Housekeeping Checklist - DataMyte's Nov 29, 2022 — A hospital housekeeping checklist is a tool that lists tasks and areas that need to be cleaned in a hospital. It outlines the Frequency, method, ... a study to determine the effectiveness of the texas hospital ... by MEB Blodgett · 1971 — The purpose of this study was to determine the effectiveness of the Texas Hospital Association Shared Management Systems Housekeeping Study Guide in ... Environmental Services Cleaning Guidebook Adapted from Allina Hospitals and Clinics Environmental Services Cleaning Guidebook by the Minnesota Hospital Association. (MHA), Minnesota Department of ... Free Hospital Housekeeping Checklists | PDF Jul 11, 2023 — Download our collection of free hospital housekeeping checklists to identify high-risk areas and ensure patient and staff safety. HOSPITAL HOUSEKEEPING In one year, duration, the trainee learns about elementary first-aid, firefighting, environment regulation and housekeeping, etc. Differential Equations and Their Applications: An ... Find step-by-step solutions and answers to Differential Equations and Their Applications: An Introduction to Applied Mathematics - 9780387908069, ... Differential Equations and Their Applications Renardy/Rogers: An Introduction to Partial Differential Equations, 2nd ed. 14. Banks: Growth and Diffusion Phenomena: Mathematical Frameworksand. Applications. Differential Equations and Their Applications Find step-by-step solutions and answers to Differential Equations and Their Applications: An Introduction to Applied Mathematics - 9780387978949, ... Differential Equations and Their Applications Title, Differential Equations and Their Applications: Solution Manual Volume 15 of Applied mathematical sciences. Author, Martin Braun. M427J Textbook: Martin Braun, Differential Equations and Their Applications: An Introduction to Applied Mathematics, 4th edition ; ISBN-13: 978-0387978949. Differential Equations and Their Applications: An ... Used in undergraduate classrooms across the USA, this is a clearly written, rigorous introduction to differential equations and their applications. Martin Braun Solutions Books by Martin Braun with Solutions ; Differential Equations and Their Applications 3rd Edition 0 Problems solved, M. Braun, M Braun, Martin Braun. Student Solution Manual for Differential Equations This is the student solution manual for Differential Equations: Techniques, Theory, and Applications by Barbara D.

MacCluer, Paul S. Bourdon, and Thomas L. Solved Subject : Differential equations and their Sep 30, 2020 — Question: Subject : Differential equations and their applications By Martin Braun Part : Qualitative theory of differential equations ===== ... Differential Equations and Their Applicati - Braun, Martin.pdf No information is available for this page.

DocuColor 240/250 Training and Information Guide in PDF ... DocuColor 240/250 Training and Information Guide in PDF format. Description. Guide for using the copier functions of the DocuColor 240/250. Released: 06/15 ... Xerox DC 250 Service Manual | PDF | Electrostatic Discharge Xerox DC 250 Service Manual - Free ebook download as PDF File (.pdf), Text File (.txt) or view presentation slides online. Service Manual for Xerox DC 250 ... XEROX DocuColor 240, 250 Service Manual (Direct ... Title: XEROX DocuColor 240, 250 Service Manual (Direct Download) Format: .ZIP Size: 62.8 MB. Includes all of the following documents: (PDF) Xerox DC250 Service Manual - DOKUMEN.TIPS Service Manual RevisionThe Service Manual will be updated as the machine changes or as problem areas are identified. Section 2 Status Indicator RAPsThis section ... Xerox DocuColor 250 User Manual View and Download Xerox DocuColor 250 user manual online. Scan Out Services. DocuColor 250 copier pdf manual download. Xerox DC250 Service Manual - Manuals Books Introduction of the Service Documentation. This manual contains information that applies to NASG (XC) and ESG (XE) copiers. Service Manual Revision Xerox Dc 250 Service Manual Pdf Xerox Dc 250 Service Manual Pdf. INTRODUCTION Xerox Dc 250 Service Manual Pdf Full PDF. Xerox Dc 250 Service Manual - Fill Online, Printable ... Fill Xerox Dc 250 Service Manual, Edit online. Sign, fax and printable from PC, iPad, tablet or mobile with pdfFiller ☐ Instantly. Try Now! DC250 style - DocuColor 250 Technical Information To quote the Service Manual: "This procedure deletes user-defined/registered information and information recorded automatically by the system from the hard ... Xerox ...DocuColor 250 (DC250 style)&hellip Apr 4, 2021 — Well there are 3 maintenance drawers. One with the Drum Cartridges and ...