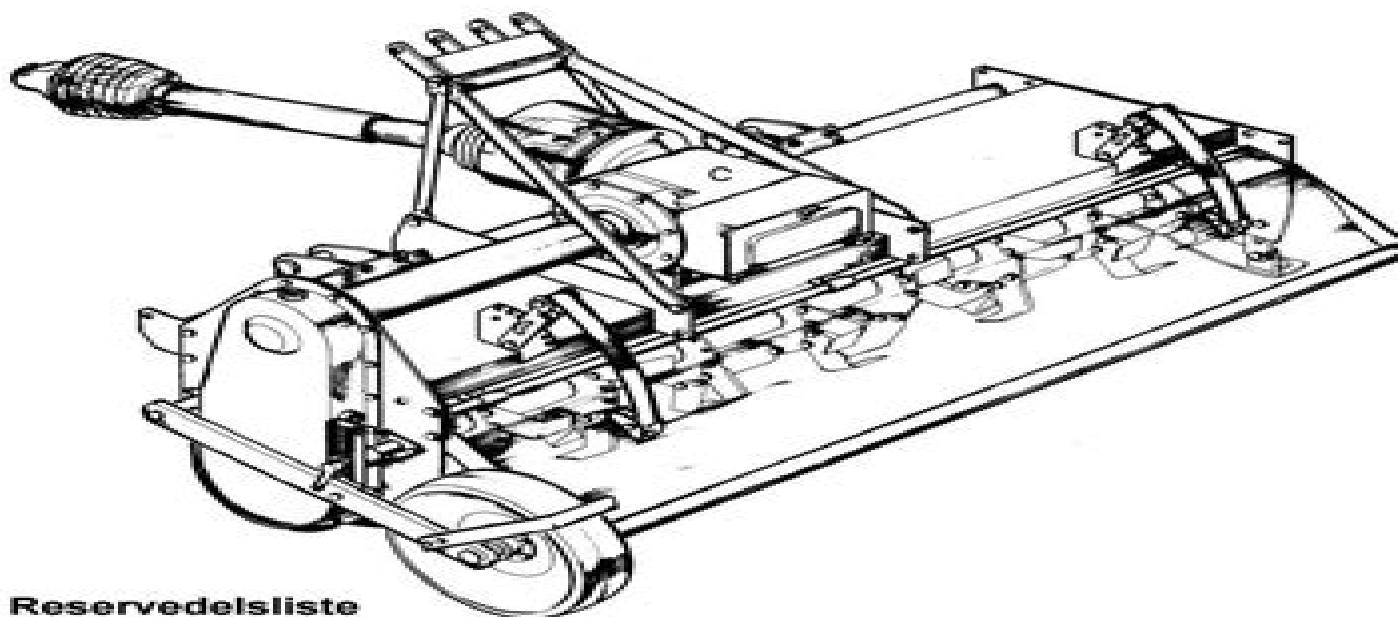


**ROTAVATOR HR20**

**Reservedelsliste**  
**Spare parts list**  
**Ersatzteilliste**  
**Onderdelenlijst**  
**Liste de pièce de rechange**  
**Lista de Piezas**  
**Parti di ricambio**

# Howard Rotavator Manual G

**Emilie Sanchez**



## **Howard Rotavator Manual G:**

The book delves into Howard Rotavator Manual G. Howard Rotavator Manual G is an essential topic that must be grasped by everyone, from students and scholars to the general public. The book will furnish comprehensive and in-depth insights into Howard Rotavator Manual G, encompassing both the fundamentals and more intricate discussions.

1. The book is structured into several chapters, namely:

- Chapter 1: Introduction to Howard Rotavator Manual G
- Chapter 2: Essential Elements of Howard Rotavator Manual G
- Chapter 3: Howard Rotavator Manual G in Everyday Life
- Chapter 4: Howard Rotavator Manual G in Specific Contexts
- Chapter 5: Conclusion

2. In chapter 1, this book will provide an overview of Howard Rotavator Manual G. The first chapter will explore what Howard Rotavator Manual G is, why Howard Rotavator Manual G is vital, and how to effectively learn about Howard Rotavator Manual G.

3. In chapter 2, this book will delve into the foundational concepts of Howard Rotavator Manual G. The second chapter will elucidate the essential principles that need to be understood to grasp Howard Rotavator Manual G in its entirety.

4. In chapter 3, this book will examine the practical applications of Howard Rotavator Manual G in daily life. The third chapter will showcase real-world examples of how Howard Rotavator Manual G can be effectively utilized in everyday scenarios.

5. In chapter 4, the author will scrutinize the relevance of Howard Rotavator Manual G in specific contexts. This chapter will explore how Howard Rotavator Manual G is applied in specialized fields, such as education, business, and technology.

6. In chapter 5, this book will draw a conclusion about Howard Rotavator Manual G. The final chapter will summarize the key points that have been discussed throughout the book.

This book is crafted in an easy-to-understand language and is complemented by engaging illustrations. This book is highly recommended for anyone seeking to gain a comprehensive understanding of Howard Rotavator Manual G.

[https://staging.conocer.cide.edu/book/publication/fetch.php/illustrated\\_guide\\_to\\_knitting\\_the\\_creative\\_way\\_08306.pdf](https://staging.conocer.cide.edu/book/publication/fetch.php/illustrated_guide_to_knitting_the_creative_way_08306.pdf)

## Table of Contents Howard Rotavator Manual G

1. Understanding the eBook Howard Rotavator Manual G
  - The Rise of Digital Reading Howard Rotavator Manual G
  - Advantages of eBooks Over Traditional Books
2. Identifying Howard Rotavator Manual G
  - Exploring Different Genres
  - Considering Fiction vs. Non-Fiction
  - Determining Your Reading Goals
3. Choosing the Right eBook Platform
  - Popular eBook Platforms
  - Features to Look for in an Howard Rotavator Manual G
  - User-Friendly Interface
4. Exploring eBook Recommendations from Howard Rotavator Manual G
  - Personalized Recommendations
  - Howard Rotavator Manual G User Reviews and Ratings
  - Howard Rotavator Manual G and Bestseller Lists
5. Accessing Howard Rotavator Manual G Free and Paid eBooks
  - Howard Rotavator Manual G Public Domain eBooks
  - Howard Rotavator Manual G eBook Subscription Services
  - Howard Rotavator Manual G Budget-Friendly Options
6. Navigating Howard Rotavator Manual G eBook Formats
  - ePub, PDF, MOBI, and More
  - Howard Rotavator Manual G Compatibility with Devices
  - Howard Rotavator Manual G Enhanced eBook Features
7. Enhancing Your Reading Experience
  - Adjustable Fonts and Text Sizes of Howard Rotavator Manual G
  - Highlighting and Note-Taking Howard Rotavator Manual G
  - Interactive Elements Howard Rotavator Manual G
8. Staying Engaged with Howard Rotavator Manual G

- Joining Online Reading Communities
  - Participating in Virtual Book Clubs
  - Following Authors and Publishers Howard Rotavator Manual G
9. Balancing eBooks and Physical Books Howard Rotavator Manual G
- Benefits of a Digital Library
  - Creating a Diverse Reading Collection Howard Rotavator Manual G
10. Overcoming Reading Challenges
- Dealing with Digital Eye Strain
  - Minimizing Distractions
  - Managing Screen Time
11. Cultivating a Reading Routine Howard Rotavator Manual G
- Setting Reading Goals Howard Rotavator Manual G
  - Carving Out Dedicated Reading Time
12. Sourcing Reliable Information of Howard Rotavator Manual G
- Fact-Checking eBook Content of Howard Rotavator Manual G
  - Distinguishing Credible Sources
13. Promoting Lifelong Learning
- Utilizing eBooks for Skill Development
  - Exploring Educational eBooks
14. Embracing eBook Trends
- Integration of Multimedia Elements
  - Interactive and Gamified eBooks

## Howard Rotavator Manual G Introduction

In this digital age, the convenience of accessing information at our fingertips has become a necessity. Whether its research papers, eBooks, or user manuals, PDF files have become the preferred format for sharing and reading documents. However, the cost associated with purchasing PDF files can sometimes be a barrier for many individuals and organizations. Thankfully, there are numerous websites and platforms that allow users to download free PDF files legally. In this article, we will explore some of the best platforms to download free PDFs. One of the most popular platforms to download free PDF files is Project Gutenberg. This online library offers over 60,000 free eBooks that are in the public domain. From classic literature to

historical documents, Project Gutenberg provides a wide range of PDF files that can be downloaded and enjoyed on various devices. The website is user-friendly and allows users to search for specific titles or browse through different categories. Another reliable platform for downloading Howard Rotavator Manual G free PDF files is Open Library. With its vast collection of over 1 million eBooks, Open Library has something for every reader. The website offers a seamless experience by providing options to borrow or download PDF files. Users simply need to create a free account to access this treasure trove of knowledge. Open Library also allows users to contribute by uploading and sharing their own PDF files, making it a collaborative platform for book enthusiasts. For those interested in academic resources, there are websites dedicated to providing free PDFs of research papers and scientific articles. One such website is Academia.edu, which allows researchers and scholars to share their work with a global audience. Users can download PDF files of research papers, theses, and dissertations covering a wide range of subjects. Academia.edu also provides a platform for discussions and networking within the academic community. When it comes to downloading Howard Rotavator Manual G free PDF files of magazines, brochures, and catalogs, Issuu is a popular choice. This digital publishing platform hosts a vast collection of publications from around the world. Users can search for specific titles or explore various categories and genres. Issuu offers a seamless reading experience with its user-friendly interface and allows users to download PDF files for offline reading. Apart from dedicated platforms, search engines also play a crucial role in finding free PDF files. Google, for instance, has an advanced search feature that allows users to filter results by file type. By specifying the file type as "PDF," users can find websites that offer free PDF downloads on a specific topic. While downloading Howard Rotavator Manual G free PDF files is convenient, it's important to note that copyright laws must be respected. Always ensure that the PDF files you download are legally available for free. Many authors and publishers voluntarily provide free PDF versions of their work, but it's essential to be cautious and verify the authenticity of the source before downloading Howard Rotavator Manual G. In conclusion, the internet offers numerous platforms and websites that allow users to download free PDF files legally. Whether it's classic literature, research papers, or magazines, there is something for everyone. The platforms mentioned in this article, such as Project Gutenberg, Open Library, Academia.edu, and Issuu, provide access to a vast collection of PDF files. However, users should always be cautious and verify the legality of the source before downloading Howard Rotavator Manual G any PDF files. With these platforms, the world of PDF downloads is just a click away.

## **FAQs About Howard Rotavator Manual G Books**

1. Where can I buy Howard Rotavator Manual G books? Bookstores: Physical bookstores like Barnes & Noble,

- Waterstones, and independent local stores. Online Retailers: Amazon, Book Depository, and various online bookstores offer a wide range of books in physical and digital formats.
2. What are the different book formats available? Hardcover: Sturdy and durable, usually more expensive. Paperback: Cheaper, lighter, and more portable than hardcovers. E-books: Digital books available for e-readers like Kindle or software like Apple Books, Kindle, and Google Play Books.
  3. How do I choose a Howard Rotavator Manual G book to read? Genres: Consider the genre you enjoy (fiction, non-fiction, mystery, sci-fi, etc.). Recommendations: Ask friends, join book clubs, or explore online reviews and recommendations. Author: If you like a particular author, you might enjoy more of their work.
  4. How do I take care of Howard Rotavator Manual G books? Storage: Keep them away from direct sunlight and in a dry environment. Handling: Avoid folding pages, use bookmarks, and handle them with clean hands. Cleaning: Gently dust the covers and pages occasionally.
  5. Can I borrow books without buying them? Public Libraries: Local libraries offer a wide range of books for borrowing. Book Swaps: Community book exchanges or online platforms where people exchange books.
  6. How can I track my reading progress or manage my book collection? Book Tracking Apps: Goodreads, LibraryThing, and Book Catalogue are popular apps for tracking your reading progress and managing book collections. Spreadsheets: You can create your own spreadsheet to track books read, ratings, and other details.
  7. What are Howard Rotavator Manual G audiobooks, and where can I find them? Audiobooks: Audio recordings of books, perfect for listening while commuting or multitasking. Platforms: Audible, LibriVox, and Google Play Books offer a wide selection of audiobooks.
  8. How do I support authors or the book industry? Buy Books: Purchase books from authors or independent bookstores. Reviews: Leave reviews on platforms like Goodreads or Amazon. Promotion: Share your favorite books on social media or recommend them to friends.
  9. Are there book clubs or reading communities I can join? Local Clubs: Check for local book clubs in libraries or community centers. Online Communities: Platforms like Goodreads have virtual book clubs and discussion groups.
  10. Can I read Howard Rotavator Manual G books for free? Public Domain Books: Many classic books are available for free as they're in the public domain. Free E-books: Some websites offer free e-books legally, like Project Gutenberg or Open Library.



**Find Howard Rotavator Manual G :**

**illustrated guide to knitting the creative way/08306**

*im a fire fighter*

**im safe with the new baby**

image and ideology in modern/postmodern discourse

**illustrated buyers guide case tractors**

**images of a changing world japanese prints of the twentieth century**

~~illustrated guide to the zodiac~~

*images of aging*

im a teacher too... the war on ignorance continues

im owen harrison harding

illustrated pocket guide to clinical medicine

illustrated baseball card official price guide 1990

im one of the lucky ones i came home alive

**illustrated motorcycle legends norton by bacon roy**

illustrated of ufos

**Howard Rotavator Manual G :**

**a list of islamic books for school children age wise islam** - Dec 28 2021

web sep 25 2019 islamic education of our kids are being neglected these days yes it is important to teach our children to read quran but equally important is to develop in them the love for islamic books from a tender age here is a list of islamic books for school children aged 8 18

**who is allah for kids primary ilm** - Apr 12 2023

web feb 7 2022 six beliefs of imaan colouring sheets islamic worksheets who is allah a kid asks how can you begin to answer such a seemingly simple yet complex question explaining the answer to an adult when they ask who is allah can be answered by referring to surah ikhlaas and telling them to study the 99 names of allah

**who is allah islamic books for kids by bachar karroum** - Jan 09 2023

web nov 7 2021 it is written in comprehensive way with the help of the short stories as children learn more than anything else through the tale telling and storytelling the writer has used the same method of teaching the young children of the

muslims who live in the non muslim countries like europe and other western countries

*but who is allah islamic books for kids paperback* - Jun 14 2023

web follow the story of adam a young muslim child that is curious about religion and wants to learn about allah through a fun story for both children and parents allow your kids to start comprehending religious concepts and daily used expressions

while also inciting curiosity for further knowledge about their islamic religion

*9781988779003 but who is allah islamic books for kids* - Mar 11 2023

web aug 6 2023 *but who is allah islamic books for kids by karroum bachar varcelija tanja isbn 13 9781988779003 reviews*

bio summary all formats sale prices for *but who is allah islamic books for kids by karroum bachar varcelija tanja isbn 9781988779003 find any book*

islamic books for kids 2023 gift guide unto islam - Feb 10 2023

web *but who is allah islamic books for kids bismillah ar rahman ar rahim* follow the story of adam a young muslim child that is curious about religion and wants to learn about allah

this is why we pray an islamic book for kids a story about islam - May 01 2022

web may 4 2021 one of the most engaging islamic books for kids this book helps you learn what it means to pray discover how it helps you grow closer to allah and hear awesome stories from the quran that teach even more about the importance of salah this standout among islamic books for kids features

**but who is allah islamic books for kids paperback amazon in** - Sep 05 2022

web amazon in buy *but who is allah islamic books for kids book online at best prices in india on amazon in read but who is allah islamic books for kids book reviews author details and more at amazon in free delivery on qualified orders*

**but who is allah islamic books for kids amazon com** - Jul 15 2023

web oct 31 2017 follow the story of adam a young muslim child that is curious about religion and wants to learn about allah through a fun story for both children and parents allow your kids to start comprehending religious concepts and daily used expressions while also inciting curiosity for further knowledge about their islamic religion

but who is allah islamic books for kids amazon com - Aug 16 2023

web oct 30 2017 follow the story of adam a young muslim child that is curious about religion and wants to learn about allah through a fun story for both children and parents allow your kids to start comprehending religious concepts and daily used expressions while also inciting curiosity for further knowledge about their islamic religion

amazon best sellers best children s islam books - Mar 31 2022

web best sellers in children s islam books 1 the holy quran english translation of the noble qur an green cover english edition marmaduke pickthall paperback 1 offer from 10 80 2 quran in english hardcover the noble quran muhammad abdallah 111



hardcover 1 offer from 22 46 3

[but who is allah islamic books for kids paperback amazon](#) - Jan 29 2022

web but who is allah islamic books for kids karroum bachar amazon sg books

**amazon best sellers best children s islam books** - Jun 02 2022

web but who is allah islamic books for kids ramadan books for kids bachar karroum 1 379 kindle edition 1 offer from 9 99 3 i

believe in allah islamic books for kids bachar karroum 208 kindle edition 1 offer from 9 99 4 my first arabic alphabet picture book   elia naylee 4 kindle edition 1 offer from 2 99 5

[but who is allah islamic books for kids ubuy turkey](#) - May 13 2023

web shop but who is allah islamic books for kids ramadan books for kids kindle edition online at a best price in turkey get special offers deals discounts fast

**muslimsg five islamic books for kids** - Oct 06 2022

web jun 14 2021 syuruk 22 03 zohor 01 09 asar 04 06 maghrib 05 15 09 sep 2023 23 safar 1445h five islamic books for kids

reading is a crucial part of human development especially for children at a very young age here are five islamic books for children that parents can consider by ustazah tan nurul hafidzah 2021 06 14 11 min read

*but who is allah islamic books for kids issuu* - Aug 04 2022

web sep 29 2021 but who is allah islamic books for kids this is a new book for muslim kids who want to learn how to pray and worship allah really this is an interesting book for muslim

**who is allah islamic book for children surah of quran** - Feb 27 2022

web this book outlines the belief about our creator allah as mentioned in the holy quran i hope that reading this book will deepen our relationship with allah i want families to read that book daily at home with children not only to increase their belief in allah but also to encourage children to become true lovers of allah and to follow

*6 islamic books for toddlers and young children the muslim vibe* - Jul 03 2022

web jan 10 2021 from beautiful illustrations to the 99 names of allah here are 6 islamic books for toddlers and children to start them on their journey one of the best ways to educate and spend quality time with your child is to read a diverse range of books

[but who is allah muslim books for children islami saniyasnain](#) - Nov 07 2022

web who put their entire trust in allah will be helped by him in unknown ways islamic book for children social skills in islam according to the quran and sunnah with activities julia hanke 2021 01 11 help your child learn anger management and social skills for a lifetime don t you hate getting angry at your children and yelling at them

**kids islamic books about allah 2023 gift guide unto islam** - Dec 08 2022

web each spread features one of the five pillars believing in allah and his messenger praying fasting giving charity and performing hajj anwar cara has been involved in children s publishing for over twenty years most notably as a publisher of books for muslim children with the islam read more

**doubting thomas story crafts and activities for kids catholic icing** - Aug 15 2023

web apr 13 2020 this sunday s gospel is the story of doubting thomas when he says he will not believe until he sees jesus himself and feels the nail holes in his hands st thomas s feast day is july 3 and you can find all my posts about living liturgically in july here now let s check it out crafts and activities for the story of doubting thomas

**creative doubting thomas sunday school crafts for kids** - Jun 01 2022

web jul 23 2023 in this article we will explore various sunday school crafts for kids that revolve around the story of doubting thomas through engaging hands on activities and easy crafts we will teach children about faith encourage their spiritual development and enhance their fine motor skills

bible craft ideas about doubting thomas ministry to children - Jan 08 2023

web children s message on doubting thomas jesus lives john 20 19 31 sunday school lesson doubting thomas coloring page craft one handy prayer scissors construction paper any color markers or decorating materials glue or tape popsicle sticks optional procedure trace a hand onto paper or cardstock

*children s church the story of doubting thomas youtube* - Jul 02 2022

web apr 10 2021 children s church the story of doubting thomas youtube get your craft at the link below

doubting thomas craft ideas kids bible lessons - Mar 10 2023

web apr 14 2020 craft ideas for thomas and the resurrection the story of thomas is an important one to emphasize how as christians we put our trust in jesus despite the fact we cannot see him physically it s a significant scripture passage but can seem challenging when translating into crafts

**doubting thomas craft ideas youtube** - Oct 05 2022

web apr 13 2020 doubting thomas craft ideas ministry to children 18 5k subscribers subscribe 28 share 4 8k views 2 years ago use these crafts when teaching kids about doubting thomas they

**jesus is alive believe it sunday school works** - Dec 07 2022

web craft ideas on doubting thomas john 20 19 31 thomas is notorious for insisting that he see jesus before believing he truly rose from the grave he got his wish and was permitted to thrust his hands in the wounds of christ however jesus promised that those who have not seen and still believe are considered blessed

**bible craft ideas doubting thomas faith crafts for sunday school** - Sep 04 2022

web apr 5 2021 21 1k subscribers 7 3k views 2 years ago in these crafts consider the story of thomas and the importance of

having faith even when we can t see god physically seeing is not believing

*fear not peace out sunday school works* - Mar 30 2022

web peace out fear not peace out sunday school crafts on jesus appearance to his disciples and doubting thomas in john 20 19 31 craft ideas for trusting in christ s promises we celebrate the hope and joy of easter and the resurrection of jesus but the story doesn t end with the empty tomb and neither does our peace

**printable craft doubting thomas easter craft resurrection kids** - Nov 06 2022

web aug 12 2023 kids enjoyed this project it was fun purchased item printable craft doubting thomas easter craft

resurrection kids bible study sunday school craft homeschool cindy agnew hill apr 30 2023 helpful item quality 5 0 shipping 1 0 perfect to go with our ss lesson purchased item last supper craft cheri andrews feb

**doubting thomas john 20 19 31 sunday school lesson** - Feb 09 2023

web sunday school crafts about doubting thomas use these crafts when teaching kids about doubting thomas they work with any john 20 19 31 lesson plan for sunday school download the craft directions watch our how to instructions video and then gather your craft supplies

**doubting thomas craft ideas ministry to children** - Jul 14 2023

web apr 14 2020 use these crafts when teaching kids about doubting thomas they work with any john 20 19 31 lesson plan for sunday school download the craft directions watch our how to instructions video and then gather your craft supplies

*doubting thomas sunday school craft activities kids bible* - Jun 13 2023

web apr 19 2022 doubting thomas craft ideas use these crafts when teaching kids about doubting thomas they work with any john 20 19 31 lesson plan for sunday school download the craft directions watch our how to instructions video and then gather your craft supplies craft ideas about doubting thomas craft ideas for thomas and

doubting thomas bible craft ideas ministry to children - May 12 2023

web apr 5 2021 these crafts celebrate the fact that we walk by faith not by sight and our hope is in the word of god an evidence bag can be used for bible bookmarks crosses or other trinkets a door hanger reminds children to always hang their faith on jesus

doubting thomas bible craft ideas kids bible lessons - Apr 30 2022

web apr 5 2021 in these crafts consider the story of thomas and the importance of having faith even when we can t see god physically seeing is not believing glasses remind children to trust with their hearts an evidence bag includes a bible bookmark and cross as reminders of our assurance that our faith is true

*doubting thomas sunday school craft activities* - Jan 28 2022

web apr 19 2022 video demonstration of john 20 19 31 sermon for kids and related doubting thomas crafts download our

free doubting thomas children s ministry lesson compare another children s message about doubting thomas and related faith object lesson download doubting thomas worksheets read doubting thomas scriptures and [doubting thomas activities worksheets the religion teacher](#) - Apr 11 2023

web apr 4 2023 doubting thomas crafts doubting thomas story crafts for kids catholic icing doubting thomas crafts and games ministry to children doubting thomas worksheets doubting thomas sunday school worksheet ministry to children doubting thomas word jumble sermons 4 kids doubting thomas word search

*doubting thomas curriculum for kids ministry to children* - Feb 26 2022

web 50 object lessons free pdf 52 week back to school curriculum free kids bible lessons pdf doubting thomas thomas the apostle is best known for his post resurrection encounter with jesus christ in john 20 24 29 in this famous bible passage doubting thomas learns the reality that jesus is alive

[doubting thomas bible lesson for kids john 20 19 31](#) - Dec 27 2021

web apr 14 2023 target audience kindergarten 6 th grade materials needed construction paper paper plates crepe paper glue markers or crayons tape scissors decorative supplies paper towel or toilet paper tubes string bibles lesson opening this passage is a helpful reminder that jesus accepts our doubts and will help us work through them

*sunday school lesson on doubting thomas john 20 ministry to children* - Aug 03 2022

web apr 8 2021 bible craft ideas doubting thomas faith crafts for sunday school watch on lesson focus this lesson explores the story of thomas which features events that took place after jesus rose from the dead and appeared to his disciples

**silva advanced esp courses help you create more solutions** - Apr 03 2023

web in the ultramind esp systems all of our programming is done in ways that help more than just one person as mr silva observed the world was not made for just one person jose silva jr calls ultramind a new way of living for a sample of the actual coursework you can use our free introductory lessons choose a free application workshop

**silva ultramind esp system complete home seminar** - Mar 02 2023

web silva ultramind s advanced esp systems featuring the silva ultramind esp system complete home seminar this course includes all of jose silva s original esp training that that millions of people around the world have experienced since 1966 [amazon com jose silva s ultramind esp system think your](#) - Aug 27 2022

web jan 1 2000 in jose silva s ultramind esp system you will learn a series of specific self management techniques that can help you get rid of any impediments to your success and be better able to carry out your life s mission

**about us silva ultramind international** - Jul 26 2022

web jose silva s new concepts being taught by our silva ultramind esp system trainers at silva ultramind international are the authentic methods developed by jose silva as his last contribution to helping the world attain that paradise on earth with

peace and good will for all that we all hope will come to pass

**silva ultramind esp course streamlined version udemy** - Aug 07 2023

web in this course you will learn to enter the most powerful part of your mind whenever you wish this is the part of the mind that is most effective for turning your thoughts into your reality create a communication channel between your conscious mind and the nearly unlimited power of your subconscious mind

**esp system seminar trainer silva ultramind** - Jun 24 2022

web the silva ultramind esp system enables you to use your god given intuition accurately and reliably have a reliable way to get into a deep state of relaxation effectively program your mind with your own statements for success connect with a higher intelligence that will always guide you in the right direction

instructors silva ultramind international - May 24 2022

web silva ultramind systems silva ultramind esp system silva ultramind realtor system silva ultramind esp system home study course silva centering exercise seminar schedule instructors instructor index instructor training shop all products cart checkout about us silva ultramind international jose silva the genius behind

silva esp for business success silva advanced esp - Oct 29 2022

web the silva ultramind esp system is like getting a degree in how to use intuition to detect information and solve problems the silva ultramind esp system for business success is like getting an advanced degree a masters degree in business intuition people spend a lot of money and a lot of time in class to earn an mba

the silva ultramind by mindvalley it it worth it 2023 review - May 04 2023

web feb 8 2023 what is significant to say about the use of esp in the silva ultramind system is that this isn t crystal balls and roadside psychics as vishen lakhiani says instead the type of esp this program refers to is the concept that we can get ideas and knowledge from sources outside of ourselves

*silva ultramind international discover the potential of your own* - Sep 08 2023

web the only true original silva ultramind esp system are you ready learn some of the most profound methods to train your mind to become fluent with so much more that the mind has to offer like better intuition clairvoyancy healing and connection with higher intelligence

**josé silva s ultramind esp system think your way to pdf** - Oct 09 2023

web mar 2 2021 title josé silva s ultramind esp system think your way to success author bernd ed publisher the career press isbn10 asin 1564144518 print isbn13 9781564144515 ebook isbn13 9780585349039 language english subject silva josé 1914 silva mind control

**silva ultramind esp system home study course** - Feb 01 2023

web silva ultramind esp system home study course view course details not enrolled take this course

*the silva ultramind system my honest review 2023* - Dec 31 2022

web sep 15 2021 what is esp in the silva ultramind system what s it like taking this course what a typical lesson is like who is the silva ultramind system a good fit for and who won t like it the pro s and con s is the silva ultramind system worth it why should you trust this review i m brendan brown the founder of the expert editor

**silva self management system silva advanced esp** - Nov 29 2022

web learn to take control of your life with the six audio lessons in this special home study course narrated by award winning silva instructor william r bill sturdevant author of the dealing with disabilities chapter in José Silva s ultramind esp system book

silva ultramind esp system - Jul 06 2023

web what jose silva s ultramind esp system empowers you to do to use your god given intuition accurately and reliably to connect with higher intelligence who will always guide you in the right direction to prosper in business by being able to make better decisions to learn a mental video technique use to better develop esp

**silva ultramind esp system home study course** - Feb 18 2022

web the silva ultramind esp system empowers you to use your god given intuition accurately and reliably have a reliable method to go into a deep relaxation state program your mind effectively with your own statements for success connect with higher intelligence who will always guide you in the right direction

**jose silva ultramind esp systems complete home seminar** - Sep 27 2022

web instant downloads this esp training is presented on 40 audio sessions more than 15 hours of information and 12 mental training exercises including jose silva guiding you through an actual esp practice session plus 10 supplemental videos with explanations by jose silva a book and a course manual in pdf format

the silva ultramind system by vishen lakhiani jose silva - Jun 05 2023

web the silva ultramind system become a mindvalley member and unlock access to the silva ultramind system mindvalley s full curriculum of 100 transformational programs for as low as 1 a day unleash your mind with the silva method course and access altered states of consciousness to bend reality and transform your life today and everyday

**unlocking your potential a review of the silva ultramind system** - Apr 22 2022

web jan 14 2023 course rating 4.1/5 the silva ultramind system is mindvalley s take on an established method for meditation altered consciousness and esp covering mindfulness meditation visualization and affirmations to help build motivation and improve focus and concentration suitable both for those new to using meditation for their

*silva method ultramind leave behind a better world* - Mar 22 2022



web estimated time 4 hours difficulty suitable for everyone the world s most famous self improvement course my increasing mental faculties are for serving humanity better every day in every way i am getting better