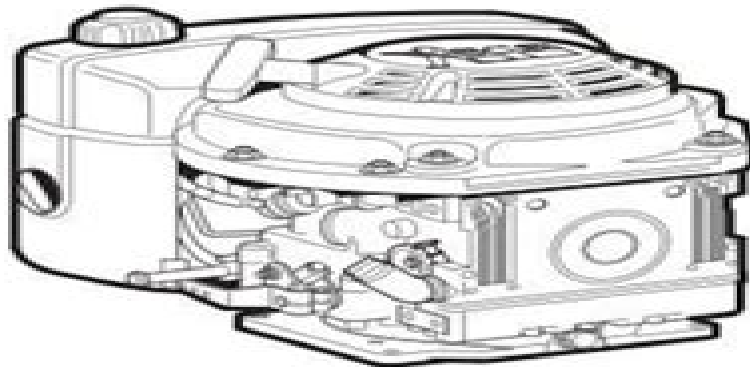
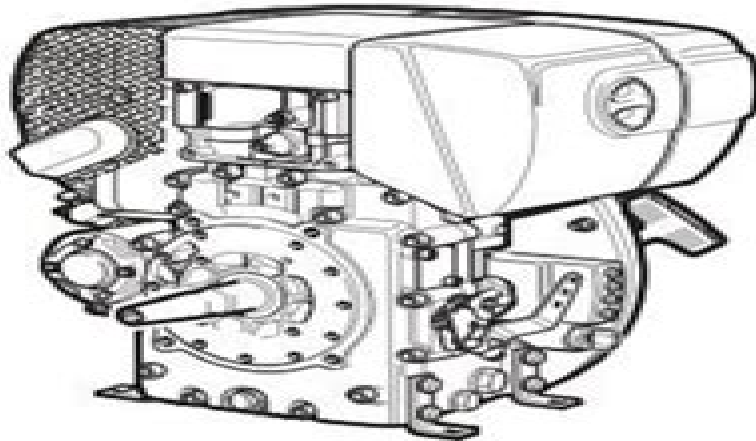


Workshop-Manual



1 B . .

Howard Gem Hatz Diesel Manual

Patrick Vollmar



Howard Gem Hatz Diesel Manual:

Power Farming in Australia and New Zealand Technical Manual ,1973

Discover tales of courage and bravery in Explore Bravery with is empowering ebook, **Howard Gem Hatz Diesel Manual** . In a downloadable PDF format (PDF Size: *), this collection inspires and motivates. Download now to witness the indomitable spirit of those who dared to be brave.

https://staging.conocer.cide.edu/data/uploaded-files/default.aspx/Knitting_Goddess_Finding_The_Heart_And_Soul_Of_Knitting_Through_Instruction.pdf

Table of Contents Howard Gem Hatz Diesel Manual

1. Understanding the eBook Howard Gem Hatz Diesel Manual
 - The Rise of Digital Reading Howard Gem Hatz Diesel Manual
 - Advantages of eBooks Over Traditional Books
2. Identifying Howard Gem Hatz Diesel Manual
 - Exploring Different Genres
 - Considering Fiction vs. Non-Fiction
 - Determining Your Reading Goals
3. Choosing the Right eBook Platform
 - Popular eBook Platforms
 - Features to Look for in an Howard Gem Hatz Diesel Manual
 - User-Friendly Interface
4. Exploring eBook Recommendations from Howard Gem Hatz Diesel Manual
 - Personalized Recommendations
 - Howard Gem Hatz Diesel Manual User Reviews and Ratings
 - Howard Gem Hatz Diesel Manual and Bestseller Lists
5. Accessing Howard Gem Hatz Diesel Manual Free and Paid eBooks
 - Howard Gem Hatz Diesel Manual Public Domain eBooks
 - Howard Gem Hatz Diesel Manual eBook Subscription Services
 - Howard Gem Hatz Diesel Manual Budget-Friendly Options

6. Navigating Howard Gem Hatz Diesel Manual eBook Formats
 - ePub, PDF, MOBI, and More
 - Howard Gem Hatz Diesel Manual Compatibility with Devices
 - Howard Gem Hatz Diesel Manual Enhanced eBook Features
7. Enhancing Your Reading Experience
 - Adjustable Fonts and Text Sizes of Howard Gem Hatz Diesel Manual
 - Highlighting and Note-Taking Howard Gem Hatz Diesel Manual
 - Interactive Elements Howard Gem Hatz Diesel Manual
8. Staying Engaged with Howard Gem Hatz Diesel Manual
 - Joining Online Reading Communities
 - Participating in Virtual Book Clubs
 - Following Authors and Publishers Howard Gem Hatz Diesel Manual
9. Balancing eBooks and Physical Books Howard Gem Hatz Diesel Manual
 - Benefits of a Digital Library
 - Creating a Diverse Reading Collection Howard Gem Hatz Diesel Manual
10. Overcoming Reading Challenges
 - Dealing with Digital Eye Strain
 - Minimizing Distractions
 - Managing Screen Time
11. Cultivating a Reading Routine Howard Gem Hatz Diesel Manual
 - Setting Reading Goals Howard Gem Hatz Diesel Manual
 - Carving Out Dedicated Reading Time
12. Sourcing Reliable Information of Howard Gem Hatz Diesel Manual
 - Fact-Checking eBook Content of Howard Gem Hatz Diesel Manual
 - Distinguishing Credible Sources
13. Promoting Lifelong Learning
 - Utilizing eBooks for Skill Development
 - Exploring Educational eBooks
14. Embracing eBook Trends
 - Integration of Multimedia Elements

- Interactive and Gamified eBooks

Howard Gem Hatz Diesel Manual Introduction

Free PDF Books and Manuals for Download: Unlocking Knowledge at Your Fingertips In today's fast-paced digital age, obtaining valuable knowledge has become easier than ever. Thanks to the internet, a vast array of books and manuals are now available for free download in PDF format. Whether you are a student, professional, or simply an avid reader, this treasure trove of downloadable resources offers a wealth of information, conveniently accessible anytime, anywhere. The advent of online libraries and platforms dedicated to sharing knowledge has revolutionized the way we consume information. No longer confined to physical libraries or bookstores, readers can now access an extensive collection of digital books and manuals with just a few clicks. These resources, available in PDF, Microsoft Word, and PowerPoint formats, cater to a wide range of interests, including literature, technology, science, history, and much more. One notable platform where you can explore and download free Howard Gem Hatz Diesel Manual PDF books and manuals is the internet's largest free library. Hosted online, this catalog compiles a vast assortment of documents, making it a veritable goldmine of knowledge. With its easy-to-use website interface and customizable PDF generator, this platform offers a user-friendly experience, allowing individuals to effortlessly navigate and access the information they seek. The availability of free PDF books and manuals on this platform demonstrates its commitment to democratizing education and empowering individuals with the tools needed to succeed in their chosen fields. It allows anyone, regardless of their background or financial limitations, to expand their horizons and gain insights from experts in various disciplines. One of the most significant advantages of downloading PDF books and manuals lies in their portability. Unlike physical copies, digital books can be stored and carried on a single device, such as a tablet or smartphone, saving valuable space and weight. This convenience makes it possible for readers to have their entire library at their fingertips, whether they are commuting, traveling, or simply enjoying a lazy afternoon at home. Additionally, digital files are easily searchable, enabling readers to locate specific information within seconds. With a few keystrokes, users can search for keywords, topics, or phrases, making research and finding relevant information a breeze. This efficiency saves time and effort, streamlining the learning process and allowing individuals to focus on extracting the information they need. Furthermore, the availability of free PDF books and manuals fosters a culture of continuous learning. By removing financial barriers, more people can access educational resources and pursue lifelong learning, contributing to personal growth and professional development. This democratization of knowledge promotes intellectual curiosity and empowers individuals to become lifelong learners, promoting progress and innovation in various fields. It is worth noting that while accessing free Howard Gem Hatz Diesel Manual PDF books and manuals is convenient and cost-effective, it is vital to respect copyright laws and intellectual property rights. Platforms offering free downloads often operate within legal

boundaries, ensuring that the materials they provide are either in the public domain or authorized for distribution. By adhering to copyright laws, users can enjoy the benefits of free access to knowledge while supporting the authors and publishers who make these resources available. In conclusion, the availability of Howard Gem Hatz Diesel Manual free PDF books and manuals for download has revolutionized the way we access and consume knowledge. With just a few clicks, individuals can explore a vast collection of resources across different disciplines, all free of charge. This accessibility empowers individuals to become lifelong learners, contributing to personal growth, professional development, and the advancement of society as a whole. So why not unlock a world of knowledge today? Start exploring the vast sea of free PDF books and manuals waiting to be discovered right at your fingertips.

FAQs About Howard Gem Hatz Diesel Manual Books

How do I know which eBook platform is the best for me? Finding the best eBook platform depends on your reading preferences and device compatibility. Research different platforms, read user reviews, and explore their features before making a choice. Are free eBooks of good quality? Yes, many reputable platforms offer high-quality free eBooks, including classics and public domain works. However, make sure to verify the source to ensure the eBook credibility. Can I read eBooks without an eReader? Absolutely! Most eBook platforms offer web-based readers or mobile apps that allow you to read eBooks on your computer, tablet, or smartphone. How do I avoid digital eye strain while reading eBooks? To prevent digital eye strain, take regular breaks, adjust the font size and background color, and ensure proper lighting while reading eBooks. What the advantage of interactive eBooks? Interactive eBooks incorporate multimedia elements, quizzes, and activities, enhancing the reader engagement and providing a more immersive learning experience. Howard Gem Hatz Diesel Manual is one of the best book in our library for free trial. We provide copy of Howard Gem Hatz Diesel Manual in digital format, so the resources that you find are reliable. There are also many Ebooks of related with Howard Gem Hatz Diesel Manual. Where to download Howard Gem Hatz Diesel Manual online for free? Are you looking for Howard Gem Hatz Diesel Manual PDF? This is definitely going to save you time and cash in something you should think about.

Find Howard Gem Hatz Diesel Manual :

[knitting goddess finding the heart and soul of knitting through instruction](#)

[knots landing uncharted love](#)

[knocker on deaths door the](#)

know aviation; seventy years of mans endeavour

[konstitusionnoe pravo stran blizhnego vostoka iran egipet izrail oae irak](#)

koning eizenberg buildings and projects

knaves fools heroes in europe between

[klithi palaeolithic settlement 2vol](#)

[knowing yourself](#)

[kjo8 gun business](#)

[knock knock my first library](#)

[kj real story of christmas on cab nar jones](#)

knives swords daggers

[klik showcase photography showcase photography](#)

knitting with wire

Howard Gem Hatz Diesel Manual :

the reverse mortgage advantage the tax free house rich - Feb 24 2022

web find helpful customer reviews and review ratings for the reverse mortgage advantage the tax free house rich way to retire wealthy at amazon com read honest and unbiased product reviews from our users

the reverse mortgage advantage the tax free house rich - Jun 11 2023

web jul 8 2010 in the reverse mortgage advantage renowned real estate expert warren boroson presents a thorough examination of the ins and outs of this intriguing investment method boroson dispels any myths and puts crystal clear focus on the pros and cons of reverse mortgages

the reverse mortgage advantage the tax free house rich way scribd - May 10 2023

web in the reverse mortgage advantage renowned real estate expert warren boroson presents a thorough examination of the ins and outs of this intriguing investment method boroson dispels any myths and puts crystal clear focus on

reverse mortgage guide with types and requirements investopedia - Apr 28 2022

web nov 4 2022 a reverse mortgage is a type of home loan for seniors ages 62 and older reverse mortgage loans allow homeowners to convert their home equity into cash income with no monthly mortgage

what are the benefits of a reverse mortgage the balance - May 30 2022

web jul 14 2022 key takeaways a reverse mortgage loan offers a payment to the borrower every month like a traditional mortgage the loan accrues interest and incurs fees your heirs are typically required to pay off the loan if they want to keep

your home after you're gone what is a reverse mortgage

the reverse mortgage advantage the tax free house rich - Oct 15 2023

web financial freedom you can only get when you hit 62 whether you're exploring a reverse mortgage to finance a home improvement pay off a current mortgage pay for health care expenses or generate monthly income to improve quality of living you're one

the reverse mortgage advantage the tax free house rich - Aug 13 2023

web the reverse mortgage advantage the tax free house rich way to retire wealthy boroson warren amazon sg books

what is a reverse mortgage bankrate - Dec 05 2022

web sep 13 2023 the money is tax free homeowners who opt for this kind of mortgage can continue to live in their homes but the loan must be repaid when the borrower dies permanently moves out or sells the

the reverse mortgage advantage the tax free house rich way to - Jan 06 2023

web in the reverse mortgage advantage renowned real estate expert warren boroson presents a thorough examination of the ins and outs of this intriguing investment method boroson dispels any myths and puts crystal clear focus on

the reverse mortgage advantage the tax free house rich - Apr 09 2023

web the reverse mortgage advantage the tax free house rich way to retire wealthy us mcgraw hill 2006 the reverse mortgage advantage the tax free house rich way to retire wealthy authors warren boroson published june 2006 isbn 9780071491136 0071491139 isbn 9780071470728 open ebook book description

5 reverse mortgage pros and cons forbes advisor - Aug 01 2022

web nov 11 2022 if you're struggling to meet your financial obligations a reverse mortgage may help you stay afloat here are a few benefits to opting for a reverse mortgage 1 helps secure your retirement

reverse mortgage pros and cons bankrate - Mar 28 2022

web nov 10 2023 a comparison of the pros and cons of reverse mortgages those loans that allow senior property owners to convert their home equity into spendable cash

tax implications for reverse mortgages investopedia - Oct 03 2022

web updated september 30 2022 reviewed by lea d uradu fact checked by vikki velasquez a reverse mortgage can be a helpful retirement tool after all these loans let you tap into your home equity

the reverse mortgage advantage the tax free house rich - Sep 02 2022

web the reverse mortgage advantage ☐ you are not determined to leave your house free and clear to your children ☐ you know that a reverse mortgage is not a 62nd birthday present it is a loan and it is more expensive than most other mortgages because of the insurance and closing costs

[the reverse mortgage advantage the tax free house rich](#) - Sep 14 2023

web boroson dispels any myths and puts crystal clear focus on the pros and cons of reverse mortgages with real life case studies and practical examples the reverse mortgage advantage shows you how to transform a house rich cash poor situation into tax free equity choose between a lump sum a line of credit a monthly income or a

reverse mortgage housing loan singapore - Nov 04 2022

web get rates trend a reverse mortgage is essentially a secured loan against property that enables a homeowner to access equity in the property it is usually marketed to seniors as the structure of such loans can suit their lifestyles

the reverse mortgage advantage the tax free house rich - Jul 12 2023

web in the reverse mortgage advantage renowned real estate expert warren boroson presents a thorough examination of the ins and outs of this intriguing investment method boroson dispels any myths and puts crystal clear focus on

the reverse mortgage advantage the tax free house rich - Mar 08 2023

web jun 16 2006 with real life case studies and practical examples the reverse mortgage advantage shows you how to transform a house rich cash poor situation into tax free equity choose between a lump sum a line of credit a monthly income or a combination find a reputable hud approved reverse mortgage counselor in your area

reverse mortgage pros and cons for homeowners american - Jun 30 2022

web can you re drawing down your equity after a lifetime of building equity your use of a reverse mortgage will likely start drawing down your equity but if you re using your home equity to provide you with more financial freedom and flexibility for a better retirement then you may decide that this trade off is well worth it your home

should you take a reverse mortgage in singapore - Feb 07 2023

web dollarback mortgage a reverse mortgage is a type of secured loan for seniors or older homeowners ages 65 and older against their house it could be an attractive option for older adults in singapore who own their home outright and look to monetise their housing equity in the face of retirement and problems related to ageing

the organ and its music in german jewish culture - Sep 27 2022

web this title examines the powerful presence of the organ in synagogue music and in the general musical life of german speaking jewish communities in the 19th and 20th centuries it explores the development of a new organ music repertoire as a paradigm for the changing identity of modern jewry

the organ and its music in german jewish culture - Nov 29 2022

web the jewish literature of early modernity pictorial sources of different cultural and religious provenance meshorerim as the forerunners of organ accompaniment the synagogues of prague and venice from liturgical reforms to a new musical identity the synagogue organ in the context of organ building traditions intermezzo sharing

the organ and its music in german jewish culture paperback - Apr 22 2022

web sep 1 2012 overview the organ and its music in german jewish culture examines the powerful but often overlooked presence of the organ in synagogue music and the musical life of german speaking jewish communities

music to ernest bloch s jewish cycle to leonard bernstein s jewish - Feb 01 2023

web the organ and its music in german jewish culture tina frühauf new york oxford university press 2009 296 pp isbn 978 0 1953 3706 8 published 6 2 2010 recent studies in jewish art music have contributed significantly to an emerging continuum of jewish identities in

the organ and its music in german jewish culture review - Apr 03 2023

web the recording includes settings of songs by composers such as aaron copland darius milhaud and kurt weill jewish sheet music including the famous wiener fiakerlied by gustav pick a selection of german cabaret songs including two of arnold schoenberg s brettlieder hanns eisler s settings of texts by kurt tucholsky and bertold

the organ and its music in german jewish culture 1st edition - Jun 05 2023

web jan 15 2009 the organ and its music in german jewish culture adopts a richly multi faceted approach to its subject combining thorough archival research with musical analysis reception history and sociological and ethnographic explorations into jewish organ culture and thus significantly contributes to our understanding of the ways

the organ and its music in german jewish culture review - Dec 31 2022

web the organ and its music in german jewish culture by tina frühauf new york oxford university press 2009 284 pp 74 00 tina frühauf has given us a book that is as much about jewish identity as it is about music

the organ and its music in german jewish culture - May 04 2023

web the recurring topic of the supposed jewish ban on images addressed by writers like anthony julius often as an explanation for the involvement of jewish artists rothko newman gottlieb in abstraction is complicated by rosen in his discussion of guston s turn from abstraction back to figuration kitaj too worked against the grain as

synagogue organ music world ort - Feb 18 2022

web the newly emergent german jewish organ tradition abruptly ended at its peak in 1938 when most of the instruments and with them the possibility of performing organ music were destroyed on kristallnacht although this date marks the beginning of the end the extinction of this growing cultural tradition was a longer process that

the organ and its music in german jewish culture - Jul 06 2023

web jan 22 2009 the organ and its music in german jewish culture examines the powerful but often overlooked presence of the organ in synagogue music and the musical life of german speaking jewish

why the organ is the most jewish instrument the forward - Mar 02 2023

web dec 13 2012 for these the organ and its music in german jewish culture recently published in paperback will be a real ear opener its author musicologist tina frühauf notes that until the

organ and its music in german jewish culture amazon com tr - May 24 2022

web organ and its music in german jewish culture fruhauf tina amazon com tr kitap

the organ and its music in german jewish culture - Aug 27 2022

web 1 the organ jewish music and identity 2 jewish curiosities the organ in judaism before 1800 the jewish literature of early modernity pictorial sources of different cultural and religious provenance meshorerim as the forerunners of organ

accompaniment the synagogues of prague and venice 3 the organ as a jewish

the organ and its music in german x 284 p isbn jstor - Aug 07 2023

web organ and its repertoire in german jewish culture the organ and its music focuses primarily on the period from 1810 the year of the first known performance of an organ in a german synagogue the jacobstempel in seesen westphalia to november 1938 when rioters destroyed nearly all central european synagogue organs in the kristallnacht

tina frühauf german jewish organ music an anthology of - Jul 26 2022

web jun 17 2015 volume 12 issue 1 tina frühauf german jewish organ music an anthology english français tina frühauf

german jewish organ music an anthology of works from the 1820s to the 1960s middleton wisconsin a r editions 2013 131pp 280 00 published online by cambridge university press 17 june 2015 kimberly

the organ and its music in german jewish culture paperback - Oct 29 2022

web the organ and its music in german jewish culture examines the powerful but often overlooked presence of the organ in synagogue music and the musical life of german speaking jewish communities tina fr hauf expertly chronicles the history of the organ in jewish culture from the earliest references in the talmud through the 19th century

the organ and its music in german jewish culture hardcover - Sep 08 2023

web jan 15 2009 the organ and its music in german jewish culture examines the powerful but often overlooked presence of the organ in synagogue music and the musical life of german speaking jewish communities

the organ and its music in german jewish culture - Oct 09 2023

web jun 2 2010 the book includes six chapters partitioned symmetrically by an intermezzo with its core in the third and fourth chapters the first chapter maps the cultural context and the author s methodology its temporal focus runs from 1810 with the introduction of the first organ at the jacobstempel in seesen westphalia to 1938 when many

organ and its music in german jewish culture fruhauf tina - Mar 22 2022

web organ and its music in german jewish culture by fruhauf tina at abebooks co uk isbn 10 0195337069 isbn 13 9780195337068 oxford university press 2009 hardcover

tina frühauf columbia university department of music - Jun 24 2022

web phd historical musicology educated in germany dr frühauf specializes in the history of jewish music in western europe she is the author of the organ and its music in german jewish culture oxford university press 2009 2012 and editor of an anthology of german jewish organ music a r editions 2013 nominated for the claude v

boze drieling paul van loon google books - Jun 19 2023

web jun 1 2013 paul van loon wpg kindermedia jun 1 2013 juvenile fiction tot dolfjes schrik is het waar mevrouw krijtjes is terug gelukkig is ze heel lief geworden in het ozdm poeslief zelfs maar wie zijn

boze drieling abebooks - Jan 14 2023

web boze drieling druk 1 by paul van loon and a great selection of related books art and collectibles available now at abebooks com

[amazon com boze drieling 9789025846411 books](#) - Jun 07 2022

web amazon com boze drieling 9789025846411 books skip to main content us delivering to lebanon 66952 update location books select the department you want to search in search amazon en hello sign in

dolfje weerwolfje boze drieling paul van loon kinderboeken nl - Aug 21 2023

web samenvatting dolfje ontdekt dat mevrouw krijtjes kwaadaardige plannen heeft kan hij zijn vrienden redden een spannend en grappig avontuur voor lezers vanaf 8 jaar tot dolfjes schrik is het waar mevrouw krijtjes is terug gelukkig is

title boze drieling - Feb 15 2023

web title date author editor publisher pub series isbn catalog id price pages format type cover artist verif boze drieling 2005 00 00 paul van loon leopold 90 258 4641 6

boekbespreking dolfje weerwolfje boze drieling by dominic slikeveer - Aug 09 2022

web jan 29 2013 weerwolvenbos de prijs van de nederlandse kinderjury boze drieling de prijs van de nederlandse kinderjury weerwolfgeheimen de prijs van de nederlandse kinderjury dolfje weerwolfje grootste kinderboekenheld ilustrator hugo van look bijna alle boeken van paul van loon getekend uitgeverij leopold

lees dan boze drieling dolfje weerwolfje 5 paul van loon - Oct 11 2022

web may 13 2015 boze drieling het vijfde deel van de dolfje weerwolfje serie dit avontuur van dolfje speelt zich vlak bij huis af bij de buurvrouw waar hij eindelijk vanaf dacht te zijn mevrouw krijtjes is terug van de buitenkant nog steeds dezelfde maar het lijkt of ze ineens lief geworden is

[boze drieling ebook paul van loon 9789025864477 bol com](#) - Nov 12 2022

web oct 2 2021 na de hbs ging hij in den bosch naar de kunstacademie om de opleiding illustratief tekenen te volgen na vier jaar besloot hij wegens gebrek aan motivatie met deze opleiding te stoppen paul van loon was eigenlijk niet van plan om

schrijver te worden

boze drieling by paul van loon goodreads - Oct 23 2023

web sep 1 2005 241 books104 followers stephen paul lambert mary elizabeth paul van loon geleen april 17 1955 is a dutch children s author and singer of self described children s book band paul van loon andere snuiters the main body of his work consists of horror stories aimed at younger audiences

boze drieling paul van loon google books - Dec 13 2022

web boze drieling paul van loon no preview available 2017 boze drieling paul van loon no preview available 2021 boze drieling paul van loon no preview available 2013 bibliographic information title boze drieling de bende van leopold volume 5 of dolfje weerwolfje issn 1877 1599

how to pronounce boze howtopronounce com - Mar 04 2022

web nov 16 2023 how to say boze in english pronunciation of boze with 1 audio pronunciation 1 meaning 13 translations and more for boze

boze drieling paul van loon 9789025846411 boeken bol com - Sep 22 2023

web andere bladen werden ook enthousiast en zo verschenen zijn verhalen ook in donald duck okki taptoe en ezelsoor paul van loon kreeg het zo druk met schrijven dat hij na een droom van een oom van rita törnqvist geen boeken meer heeft geïllustreerd vooral s nachts kan hij in alle rust aan zijn boeken werken

dolfje weerwolfje series by paul van loon goodreads - Jul 20 2023

web dolfje weerwolfje volle maan zilvertand weerwolvenbos boze drieling weerwolvenfeest cd weerwolfgeheimen dolfje sneeuwwolfje een weerwolf in de

boze drieling hardcover 6 october 2017 amazon com au - Mar 16 2023

web boze drieling loon paul van look hugo van look hugo van van amazon com au books

boze drieling worldcat org - May 18 2023

web boze drieling authors paul van loon hugo van look illustrator summary waar zijn neef leo en opa weerwolf gebleven weten die drie oude dames daar iets van voorlezen vanaf ca 6 jaar zelf lezen vanaf ca 7 5 jaar nl zmnbd print book dutch 2005 edition 1e dr view all formats and editions publisher leopold amsterdam 2005

publication boze drieling - Apr 17 2023

web publication boze drieling publication record 409520 author paul van loon date 2005 00 00 isbn 90 258 4641 6 978 90 258 4641 1 publisher leopold pages 151 format hc hardcover used for all hardbacks of any size type novel cover boze drieling by hugo van look notes data from fadata

boze drieling waterstones - Jul 08 2022

web may 1 2005 buy boze drieling from waterstones today click and collect from your local waterstones or get free uk delivery on orders over 25

boekbespreking boze drieling by lana silvrants - May 06 2022

web nov 29 2019 krijtjes uitroeien show full text einde info schrijver 17 april 1955 30 jaar 10 prijzen miljoen lezers inhoud titel schrijver boeken schrijver info schrijver waarom gekozen hoofdpersonen samenvatting stukje voorlezen vragen tips en tops einde titel schrijver boekbespreking boze

paul van loon leest voor uit boze drieling youtube - Sep 10 2022

web kijk en luister naar een fragment uit dolfje weerwolfje boze drieling voorgelezen door paul van loon tot dolfjes schrik is het waar mevrouw krijtjes is t

boze name meaning boze family history at ancestry com - Apr 05 2022

web you can see how boze families moved over time by selecting different census years the boze family name was found in the usa the uk and canada between 1840 and 1920 the most boze families were found in usa in 1880 in