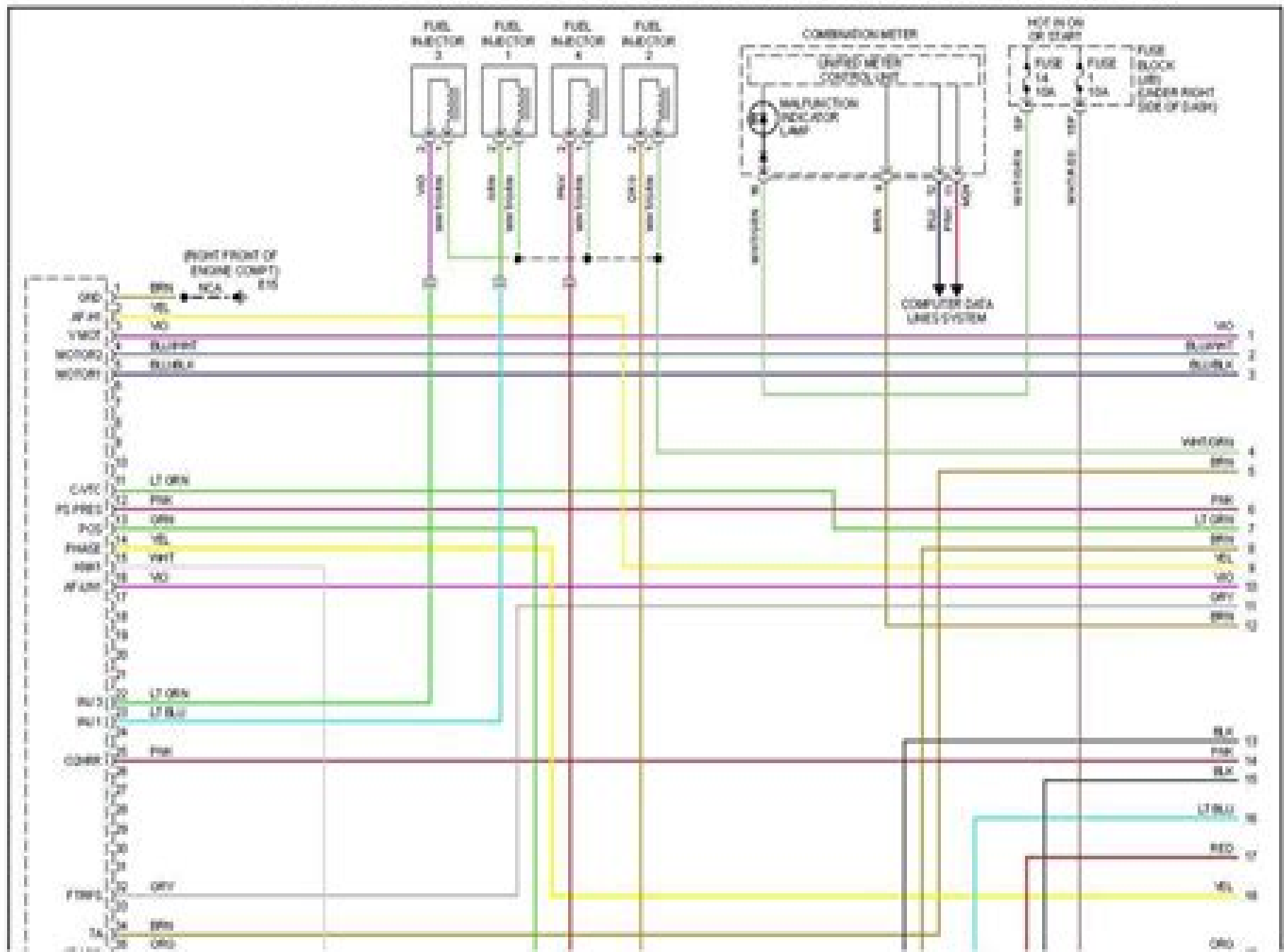


2006 Nissan Frontier SE-Fig. 14: 2.5L, Engine Performance Circuit (1 of 4)



# Navara Stereo Wiring Diagram

**ML Yell**



## Navara Stereo Wiring Diagram:

## **Navara Stereo Wiring Diagram** Book Review: Unveiling the Magic of Language

In an electronic era where connections and knowledge reign supreme, the enchanting power of language has become much more apparent than ever. Its power to stir emotions, provoke thought, and instigate transformation is truly remarkable. This extraordinary book, aptly titled "**Navara Stereo Wiring Diagram**," compiled by a very acclaimed author, immerses readers in a captivating exploration of the significance of language and its profound impact on our existence. Throughout this critique, we will delve into the book's central themes, evaluate its unique writing style, and assess its overall influence on its readership.

[https://staging.conocer.cide.edu/About/detail/HomePages/gtr\\_service\\_manual.pdf](https://staging.conocer.cide.edu/About/detail/HomePages/gtr_service_manual.pdf)

### **Table of Contents Navara Stereo Wiring Diagram**

1. Understanding the eBook Navara Stereo Wiring Diagram
  - The Rise of Digital Reading Navara Stereo Wiring Diagram
  - Advantages of eBooks Over Traditional Books
2. Identifying Navara Stereo Wiring Diagram
  - Exploring Different Genres
  - Considering Fiction vs. Non-Fiction
  - Determining Your Reading Goals
3. Choosing the Right eBook Platform
  - Popular eBook Platforms
  - Features to Look for in a Navara Stereo Wiring Diagram
  - User-Friendly Interface
4. Exploring eBook Recommendations from Navara Stereo Wiring Diagram
  - Personalized Recommendations
  - Navara Stereo Wiring Diagram User Reviews and Ratings
  - Navara Stereo Wiring Diagram and Bestseller Lists

5. Accessing Navara Stereo Wiring Diagram Free and Paid eBooks
  - Navara Stereo Wiring Diagram Public Domain eBooks
  - Navara Stereo Wiring Diagram eBook Subscription Services
  - Navara Stereo Wiring Diagram Budget-Friendly Options
6. Navigating Navara Stereo Wiring Diagram eBook Formats
  - ePub, PDF, MOBI, and More
  - Navara Stereo Wiring Diagram Compatibility with Devices
  - Navara Stereo Wiring Diagram Enhanced eBook Features
7. Enhancing Your Reading Experience
  - Adjustable Fonts and Text Sizes of Navara Stereo Wiring Diagram
  - Highlighting and Note-Taking Navara Stereo Wiring Diagram
  - Interactive Elements Navara Stereo Wiring Diagram
8. Staying Engaged with Navara Stereo Wiring Diagram
  - Joining Online Reading Communities
  - Participating in Virtual Book Clubs
  - Following Authors and Publishers Navara Stereo Wiring Diagram
9. Balancing eBooks and Physical Books Navara Stereo Wiring Diagram
  - Benefits of a Digital Library
  - Creating a Diverse Reading Collection Navara Stereo Wiring Diagram
10. Overcoming Reading Challenges
  - Dealing with Digital Eye Strain
  - Minimizing Distractions
  - Managing Screen Time
11. Cultivating a Reading Routine Navara Stereo Wiring Diagram
  - Setting Reading Goals Navara Stereo Wiring Diagram
  - Carving Out Dedicated Reading Time
12. Sourcing Reliable Information of Navara Stereo Wiring Diagram
  - Fact-Checking eBook Content of Navara Stereo Wiring Diagram
  - Distinguishing Credible Sources
13. Promoting Lifelong Learning

- 
- Utilizing eBooks for Skill Development
  - Exploring Educational eBooks
14. Embracing eBook Trends
- Integration of Multimedia Elements
  - Interactive and Gamified eBooks

### **Navara Stereo Wiring Diagram Introduction**

Navara Stereo Wiring Diagram Offers over 60,000 free eBooks, including many classics that are in the public domain. Open Library: Provides access to over 1 million free eBooks, including classic literature and contemporary works. Navara Stereo Wiring Diagram Offers a vast collection of books, some of which are available for free as PDF downloads, particularly older books in the public domain. Navara Stereo Wiring Diagram : This website hosts a vast collection of scientific articles, books, and textbooks. While it operates in a legal gray area due to copyright issues, its a popular resource for finding various publications. Internet Archive for Navara Stereo Wiring Diagram : Has an extensive collection of digital content, including books, articles, videos, and more. It has a massive library of free downloadable books. Free-eBooks Navara Stereo Wiring Diagram Offers a diverse range of free eBooks across various genres. Navara Stereo Wiring Diagram Focuses mainly on educational books, textbooks, and business books. It offers free PDF downloads for educational purposes. Navara Stereo Wiring Diagram Provides a large selection of free eBooks in different genres, which are available for download in various formats, including PDF. Finding specific Navara Stereo Wiring Diagram, especially related to Navara Stereo Wiring Diagram, might be challenging as theyre often artistic creations rather than practical blueprints. However, you can explore the following steps to search for or create your own Online Searches: Look for websites, forums, or blogs dedicated to Navara Stereo Wiring Diagram, Sometimes enthusiasts share their designs or concepts in PDF format. Books and Magazines Some Navara Stereo Wiring Diagram books or magazines might include. Look for these in online stores or libraries. Remember that while Navara Stereo Wiring Diagram, sharing copyrighted material without permission is not legal. Always ensure youre either creating your own or obtaining them from legitimate sources that allow sharing and downloading. Library Check if your local library offers eBook lending services. Many libraries have digital catalogs where you can borrow Navara Stereo Wiring Diagram eBooks for free, including popular titles. Online Retailers: Websites like Amazon, Google Books, or Apple Books often sell eBooks. Sometimes, authors or publishers offer promotions or free periods for certain books. Authors Website Occasionally, authors provide excerpts or short stories for free on their websites. While this might not be the Navara Stereo Wiring Diagram full book , it can give you a taste of the authors writing style. Subscription Services Platforms like Kindle Unlimited or Scribd offer subscription-based access to a wide range of Navara Stereo Wiring Diagram eBooks, including

---

some popular titles.

## **FAQs About Navara Stereo Wiring Diagram Books**

**What is a Navara Stereo Wiring Diagram PDF?** A PDF (Portable Document Format) is a file format developed by Adobe that preserves the layout and formatting of a document, regardless of the software, hardware, or operating system used to view or print it. **How do I create a Navara Stereo Wiring Diagram PDF?** There are several ways to create a PDF: Use software like Adobe Acrobat, Microsoft Word, or Google Docs, which often have built-in PDF creation tools. Print to PDF: Many applications and operating systems have a "Print to PDF" option that allows you to save a document as a PDF file instead of printing it on paper. Online converters: There are various online tools that can convert different file types to PDF. **How do I edit a Navara Stereo Wiring Diagram PDF?** Editing a PDF can be done with software like Adobe Acrobat, which allows direct editing of text, images, and other elements within the PDF. Some free tools, like PDFescape or Smallpdf, also offer basic editing capabilities. **How do I convert a Navara Stereo Wiring Diagram PDF to another file format?** There are multiple ways to convert a PDF to another format: Use online converters like Smallpdf, Zamzar, or Adobe Acrobats export feature to convert PDFs to formats like Word, Excel, JPEG, etc. Software like Adobe Acrobat, Microsoft Word, or other PDF editors may have options to export or save PDFs in different formats. **How do I password-protect a Navara Stereo Wiring Diagram PDF?** Most PDF editing software allows you to add password protection. In Adobe Acrobat, for instance, you can go to "File" -> "Properties" -> "Security" to set a password to restrict access or editing capabilities. Are there any free alternatives to Adobe Acrobat for working with PDFs? Yes, there are many free alternatives for working with PDFs, such as: LibreOffice: Offers PDF editing features. PDFsam: Allows splitting, merging, and editing PDFs. Foxit Reader: Provides basic PDF viewing and editing capabilities. How do I compress a PDF file? You can use online tools like Smallpdf, ILovePDF, or desktop software like Adobe Acrobat to compress PDF files without significant quality loss. Compression reduces the file size, making it easier to share and download. Can I fill out forms in a PDF file? Yes, most PDF viewers/editors like Adobe Acrobat, Preview (on Mac), or various online tools allow you to fill out forms in PDF files by selecting text fields and entering information. Are there any restrictions when working with PDFs? Some PDFs might have restrictions set by their creator, such as password protection, editing restrictions, or print restrictions. Breaking these restrictions might require specific software or tools, which may or may not be legal depending on the circumstances and local laws.

---

**Find Navara Stereo Wiring Diagram :**

**gtr service manual**

[guess word album 4 group 38 answer](#)

[gsxr 750 wiring diagram](#)

[gsurface areas of prisms and cylinders](#)

[gsu physics lab manual](#)

[guiaact eso lalunaenelagua](#)

[guide for using the master puppeteer](#)

[guide cs 73 ignou](#)

**guide dogs for the blind com**

[guess how much i love you panorama pops](#)

[gsa wage grad pay chart](#)

[grove crane parts manual m977](#)

[growing away stories from ocean grove book english edition](#)

[guatemala human rights watch report](#)

[grundfos cr operation manual](#)

**Navara Stereo Wiring Diagram :**

**one flew over the cuckoo s nest meaning themes** - Jul 24 2022

web jan 12 2022 lesson summary what is one flew over the cuckoo s nest about ken kesey what is one flew over the cuckoo s nest about the story involves several characters patients and

**one flew over the cuckoo s nest novelguide** - Jun 22 2022

web this is a study guide one flew over the cuckoo s nest 1962 is a novel written by ken kesey set in an oregon asylum the narrative serves as a study of the institutional process and the human mind as well as a critique of behaviorism and a

**one flew over the cuckoo s nest 1975 imdb** - Sep 25 2022

web nov 19 1975 one flew over the cuckoo s nest directed by milos forman with michael berryman peter brocco dean r brooks alonzo brown in the fall of 1963 a korean war veteran and criminal pleads insanity and is admitted to a mental institution where he rallies up the scared patients against the tyrannical nurse

*one flew over the cuckoo s nest encyclopedia com* - Aug 25 2022



web one flew over the cuckoo s nest by ken kesey the literary work a novel set in a mental hospital in oregon during the late 1950s published in 1962 synopsis an energetic con man seeks institutionalization as a means of escaping the rigors of a prison work farm

**one flew over the cuckoo s nest overview thoughtco** - May 02 2023

web oct 31 2019 one flew over the cuckoo s nest is a novel by ken kesey published in 1962 and set in an oregon psychiatric hospital the narrative actually serves as a study of the contraposition between society s repressiveness through its institutions and individualistic principles

**one flew over the cuckoo s nest questions answers sparknotes** - Jul 04 2023

web the phrase one flew over the cuckoo s nest is taken from a children s folk rhyme which is quoted in the novel s epigraph one flew east one flew west one flew over the cuckoo s nest flying over the cuckoo s nest implies that someone has gone insane as the slang word cuckoo has long been synonymous with crazy

**the one flew over the cuckoo s nest ending explained looper** - Mar 20 2022

web sep 18 2020 writer ken kesey s time working as a nurse s aid at a psychiatric ward at a veteran s hospital in 1960 inspired the idea for one flew over the cuckoo s nest that same year dr freeman performed

*one flew over the cuckoo s nest film wikipedia* - Jun 03 2023

web one flew over the cuckoo s nest is a 1975 american psychological drama film directed by miloš forman based on the 1962 novel of the same name by ken kesey the film stars jack nicholson who plays a new patient at a mental institution alongside louise fletcher who plays an austere nurse

**one flew over the cuckoo s nest study guide litcharts** - Nov 27 2022

web detailed summary analysis part one part two part three part four themes all themessanity v institutional control vs human dignity social pressure and shame the combine machine nature and man emasculation and sexuality quotes characters all characters schief bromden randle p mcmurphy nurse ratched dale harding doctor

one flew over the cuckoo s nest novel wikiwand - Sep 06 2023

web one flew over the cuckoo s nest is a novel by ken kesey published in 1962 set in an oregon psychiatric hospital the narrative serves as a study of institutional processes and the human mind including a critique of psychiatry and a tribute to individualistic principles

**one flew over the cuckoo s nest cliffsnotes** - Oct 27 2022

web bibbit a 31 year old virgin had made a date with the prostitute candy starr and mcmurphy vows to stay until bibbit and starr have sex starr and another prostitute smuggle themselves onto the ward with liquor which combined with the marijuana provided by the african american night watchman mr turkle contribute to a night of debauchery

---

[one flew over the cuckoo s nest study guide sparknotes](#) - Apr 01 2023

web one flew over the cuckoo s nest sparknotes literature guide buy now view all available study guides from a general summary to chapter summaries to explanations of famous quotes the sparknotes one flew over the cuckoo s nest study guide has everything you need to ace quizzes tests and essays

*one flew over the cuckoo s nest literary devices* - May 22 2022

web a unique story of psychological impacts on human beings by ken kesey one flew over the cuckoo s nest first appeared in the markets in 1962 the story of the novel revolves around the institutional processes in which the psychological patients find themselves trapped the novel wins instant success on account of its touching storyline

**one flew over the cuckoo s nest introduction summary** - Feb 28 2023

web one flew over the cuckoo s nest novel by ken kesey first published in 1962 at a veterans administration hospital in menlo park california kesey had been a paid volunteer and experimental subject taking mind altering drugs and recording their effects and this experience and his work as an aide at the hospital served as fodder for this

[one flew over the cuckoo s nest wikipedia](#) - Aug 05 2023

web one flew over the cuckoo s nest may refer to one flew over the cuckoo s nest a 1962 novel by ken kesey one flew over the cuckoo s nest a 1963 stage adaptation of the novel starring kirk douglas one flew over the cuckoo s nest a 1975 film adaptation of the novel starring jack nicholson see also

**one flew over the cuckoo s nest penguin orange collection** - Dec 29 2022

web oct 18 2016 one flew over the cuckoo s nest boisterous ribald and ultimately shattering ken kesey s one flew over the cuckoo s nest is a seminal novel of the 1960s here is the unforgettable story of a mental ward and its inhabitants a counterculture classic that inspired the 1975 film adaptation widely considered one of the greatest

*one flew over the cuckoo s nest summary thoughtco* - Apr 20 2022

web oct 31 2019 the novel one flew over the cuckoo s nest conveys kesey s interest in the altered consciousness he wrote the sections where chief bromden is in a paranoid state believing that the hospital is an emasculating factory meant to repress individuality while under the influence upon the publication of one flew over the cuckoo s nest

**one flew over the cuckoo s nest rhetoric and vision** - Jan 30 2023

web dec 18 2016 michael m boardman ken kesey s one flew over the cuckoo s nest illustrates well the difficul ties of writing a successful tragic action in the modern world in large part the problem stems from what david daiches long ago termed the break down of the implicit agreement between author and readers about what was

[one flew over the cuckoo s nest novel wikipedia](#) - Oct 07 2023

web one flew over the cuckoo s nest is a novel by ken kesey published in 1962 set in an oregon psychiatric hospital the

narrative serves as a study of institutional processes and the human mind including a critique of psychiatry 3 and a

**one flew over the cuckoo s nest a novel idioma ing albert** - Feb 16 2022

web right here we have countless books one flew over the cuckoo s nest a novel idioma ing and collections to check out we additionally provide variant types and moreover type of the books to browse the standard book fiction history novel scientific research as without difficulty as various extra sorts of books are readily user friendly

*the adventure time 100 project from boom studios the hero* - Mar 01 2023

web isbn 9781684152261 trade paperback kaboom los angeles california 2018 condition new no jacket adventure time 100 projects

*haryana inaugurates hot air balloon safari project in pinjore* - Jul 13 2021

fact sheet president the white house - Aug 14 2021

web 18 hours ago pinjore kalka in panchkula region is considered the gateway to himachal pradesh and holds great tourism potential he said to make the hot air balloon nature

**adventure time 100 project showcases original art for hero** - Sep 26 2022

web may 28 2018 adventure time 100 project last edited by pikahyper on 05 28 18 04 53pm

**adventure time 100 project dragonguelph** - Mar 21 2022

web finn jake and the entire adventure time crew take center stage in hero initiative s famous 100 project format 100 of the top artists working in the comic industry come

**adventure time 100 project sc 2018 kaboom comic books** - Apr 02 2023

web feb 20 2018 the hero initiative has worked with publishers on 100 project benefit books before and now boom studios cartoon network and the hero initiative will be

*adventure time 100 project tp kings comics* - Nov 28 2022

web all portions of the grand comics database except where noted otherwise are copyrighted by the gcd and are licensed under a creative commons attribution

a totalenergies pipeline project in east africa is washington - Sep 14 2021

web nov 6 2023 the project will introduce metro north service to penn station increase amtrak service and the cut local transit travel time from the bronx to manhattan by as

**adventure time 100 project indigo books music inc** - Dec 30 2022

web finn jake and the entire adventure time crew take center stage in hero initiativefs famous 100 project format using blank sketch cover variants from adventure time

*adventuretime mod minecraft mods curseforge* - Nov 16 2021

web oct 31 2023 the coastal virginia offshore wind project to be built by dominion energy is the fifth commercial scale offshore wind project approved by the Biden administration

[adventure time 100 project volume comic vine](#) - Dec 18 2021

web curseforge is one of the biggest mod repositories in the world serving communities like minecraft wow the Sims 4 and more with over 800 million mods downloaded every

*gcd issue adventure time 100 project grand comics* - Oct 28 2022

web may 17 2018 it's called the the adventure time get a sketch 100 project all proceeds of the auction of the original artwork will go to the Hero Initiative an organization that

[9781684152261 adventure time 100 project 1684152267](#) - Apr 21 2022

web Finn Jake and the entire adventure time crew take center stage in Hero Initiative's famous 100 project format using blank sketch cover variants from adventure time

[adventure time 100 project abebooks](#) - Jan 19 2022

web adventure time 100 project 1 issues volume published by Boom Studios started in 1998

*adventure time 100 project a look at 100 adventures with 100* - Oct 08 2023

web Finn Jake and the entire adventure time crew take center stage in Hero Initiative's famous 100 project format which invites 100 amazing artists from around the world to create

[adventure time 100 project review geekd out com](#) - Jun 04 2023

web may 30 2018 the latest one is adventure time 100 project the 100 project format for those who aren't already familiar with it is a signature of the Hero Initiative a charity that

**100 project the hero initiative adventure time** - Feb 17 2022

web adventure time 100 project 10 results you searched for title adventure time 100 project edit your search sort by search preferences skip to main search results

**coastal virginia offshore wind farm gets federal approval** - Oct 16 2021

web 14 hours ago the French oil company TotalEnergies is failing to protect the sanctity of hundreds of graves in a controversial project that aims to build a heated pipeline from oil

[adventure time 100 projects abebooks](#) - Jan 31 2023

web buy the paperback book adventure time 100 project by Pendleton Ward at Indigo.ca Canada's largest bookstore free shipping and pickup in store on eligible orders

**adventure time 100 project** - Jul 25 2022

---

web the adventure time 100 project softcover finn jake and the entire adventure time crew take center stage in hero initiative s famous 100 project format boom

*adventure time 100 project 1 issue comic vine* - May 03 2023

web finn jake and the entire adventure time crew take center stage in hero initiative s famous 100 project format using blank sketch cover variants from adventure time

**boom studios and hero initiative announce the adventure** - Aug 06 2023

web studios cartoon network and hero initiative the charity that helps comic book creators in medical and financial need are proud to announce the adventure time 100

**the adventure time 100 project softcover hero** - Jun 23 2022

web buy adventure time 100 project by pendleton ward creator jeffrey brown illustrator john cassaday illustrator online at alibris we have new and used copies available in

*adventure time 100 project volume comic vine* - Aug 26 2022

web finn jake and the entire adventure time crew take center stage in hero initiative s famous 100 project format 100 of the top artists working in the comic industry come

**adventure time 100 project alibris** - May 23 2022

web finn jake and the entire adventure time crew take center stage in hero initiative s famous 100 project format 100 of the top artists working in the comic industry come

*boom studios and hero initiative announce the adventure* - Jul 05 2023

web feb 16 2018 finn jake and the entire adventure time crew take center stage in hero initiative s famous 100 project format which invites 100 amazing artists from around

**the adventure time 100 project hero initiative** - Sep 07 2023

web may 30 2018 the adventure time 100 project boom studios printed a precious few blank covers on adventure time 36 and the hero initiative commissioned 100 top

*440 top cloze procedure teaching resources curated for you twinkl* - Nov 06 2022

web cloze procedure christmas ks1 ocean plastics fill in the blanks cloze procedure activity 5 0 6 reviews ks1 rosh hashanah cloze procedure worksheet 5 0 2 reviews ks1 pancake day cloze procedure differentiated worksheets

**cloze ks1 worksheets teacher worksheets** - Jun 13 2023

web cloze ks1 worksheets there are 8 printable worksheets for this topic worksheets are moon cloze work cloze paragraphs reading comprehension work a

[cloze procedure cloze exercise teaching wiki twinkl](#) - Aug 15 2023

web a cloze exercise is a type of reading comprehension activity it has a passage of text with missing words children need to fill in the blank spaces using words from a list or word bank the words are usually removed at regular intervals such as every five words

[ks1 winter cloze procedure differentiated worksheets twinkl](#) - Aug 03 2022

web what is this cloze test for reading comprehension pdf all about the topic of winter this cloze procedure activity is perfect as an independent or guided activity children can learn about the topic of winter such as what happens to animals what happens to our health and what holidays are celebrated during this time

**380 top cloze procedure teaching resources curated for you twinkl** - Jun 01 2022

web jungle through the journey cloze activity 4 5 4 reviews all about cats cloze procedure 5 0 2 reviews ks1 ocean plastics fill in the blanks cloze procedure activity 5 0 7 reviews giraffes cloze procedure worksheet 4 9

**christmas cloze procedure ks1 teacher made twinkl** - Feb 26 2022

web boost comprehension with a christmas cloze procedure worksheet use this lovely winter themed cloze procedure activity as an independent or guided activity challenge your children to put all of the missing words in the right spaces use this resource as part of your reading comprehension activities or as part of your topic work on winter

**ks1 horse cloze activity teacher made twinkl** - Mar 10 2023

web this handy ks1 horse cloze activity is great for children to learn more about this animal children simply need to fill in missing words in sentences so that it all makes sense you could go through this worksheet with the kids if they need any help filling in the answers

**what is a cloze procedure teaching resources twinkl** - Feb 09 2023

web cloze procedure is a reading comprehension activity that involves a passage of text with missing words that need to be filled in from a list of words they are a great reading activity for kids as it encourages them to think about what word fits in a blank space so the entire passage makes sense

[cloze procedure cloze exercise teaching wiki twinkl](#) - Dec 07 2022

web cloze exercises are sometimes used in the classroom to assess children s understanding of the english language they may be used to help develop key reading comprehension skills they re also a key part of the 11 plus test a test that year 6 children may take if they re applying for a place at a grammar school

[cloze test for reading comprehension pdf winter themed](#) - Jul 14 2023

web what is this cloze test for reading comprehension pdf all about the topic of winter this cloze procedure activity is perfect as an independent or guided activity children can learn about the topic of winter such as what happens to animals what happens to our health and what holidays are celebrated during this time

**ks1 the last supper cloze activity teacher made twinkl** - Oct 05 2022

web this cloze activity is a great way of checking children s understanding of the story of the last supper children can work independently or in small groups to read the text and fill in the gaps with the key words

**289 top cloze activities teaching resources curated for you twinkl** - Apr 11 2023

web 289 top cloze activities teaching resources curated for you 4 9 7 reviews nz winter cloze4 0 2 reviews cloze4 9 15 reviews vocabulary cloze resource pack 4 8 6 reviews 5 0 7 reviews clozeactivities junior primary resource pack 4 9 15 reviews vegemite cloze worksheet 4 5 4 reviews visual literacy cloze worksheets 5 0 16

**ks1 cloze teaching resources wordwall** - May 12 2023

web key stage 1 cloze examples from our community 10000 results for ks1 cloze ks1 random wheel by fatimaamin ks1 materials quiz by blacklerh generalisers ks1 random wheel by sarahroyle ks1 verbs anagram by tinaflitt cloze missing word by natikamarr ks2 english cloze missing word by gw21shanksrache star quiz ks1 quiz by tinaflitt

**cloze activity the great fire of london primaryleap** - Mar 30 2022

web 02 04 02 007 worksheet level 1 2 3 description a ks1 history cloze activity about the great fire of london students read the facts about the great fire of london and fill in the missing words from the word bank max possible score

**899 top cloze activity teaching resources curated for you twinkl** - Sep 04 2022

web jonathan rea cloze activity ap mccoys cloze activity michael mckillop cloze activity bethany firth cloze activity halloween cloze activity french meri mangakāhia cloze activity 2d shapes cloze activity 4 0 2 reviews back to school cloze activity explore more than 878 cloze activity resources for teachers parents and pupils as well

**christmas cloze procedure christmas resources twinkl** - Apr 30 2022

web use this great christmas cloze procedure activity to help your child develop their reading and comprehension skills the resource is split into three different levels to suit ages 5 7 this means that you can track each child s progress and confirm whether their reading ability is meeting their age and requirements

**ks1 hajj cloze activity teacher made twinkl** - Jan 28 2022

web this ks1 hajj cloze activity is a prefect addition to your teaching of the muslim pilgrimage of hajj children fill in the gaps using the word bank to help them use some of our other ks1 hajj resources alongside this ks1 cloze activity to expand the children s knowledge and understanding

**ks1 saints peter and paul cloze activity teacher made twinkl** - Jul 02 2022

web ks1 saints peter and paul cloze activity subjects re christianity free account includes thousands of free teaching resources to download pick your own free resource every week with our newsletter suggest a resource you want it we ll make it 24 7 customer support with real people sign up now to download how can i use this resource

**ks1 purim cloze activity teacher made twinkl** - Dec 27 2021

web this lovely cloze activity is ideal to support your teaching and check children s understanding of the jewish festival of purim it can be used as an independent activity or as a discussion aid role play the story of esther with these fun story of *cloze activities and worksheets bogglesworldesl com* - Jan 08 2023

web cloze activities c loze activities are great vocabulary builders cloze activities come highly recommended by proponents of the lexical approach such as michael lewis we have grouped them in three general categories holiday children s and adult although many adult students would probably find the children s cloze activities useful