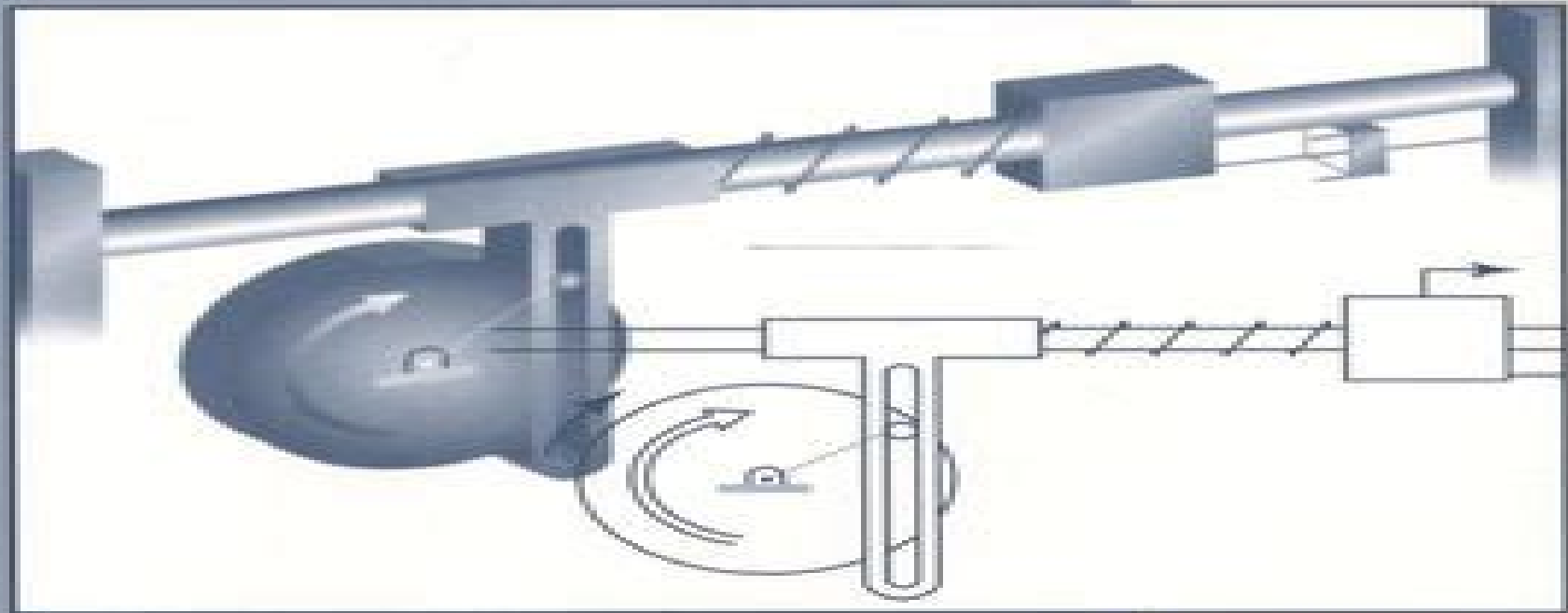


Mechanical and Structural Vibrations

Theory and
Applications



Jerry H. Ginsberg

Mechanical Structural Vibrations Theory Applications

M Carnoy



Mechanical Structural Vibrations Theory Applications:

If you ally infatuation such a referred **Mechanical Structural Vibrations Theory Applications** book that will manage to pay for you worth, get the very best seller from us currently from several preferred authors. If you want to funny books, lots of novels, tale, jokes, and more fictions collections are furthermore launched, from best seller to one of the most current released.

You may not be perplexed to enjoy all ebook collections Mechanical Structural Vibrations Theory Applications that we will categorically offer. It is not in the region of the costs. Its practically what you infatuation currently. This Mechanical Structural Vibrations Theory Applications, as one of the most practicing sellers here will unconditionally be along with the best options to review.

<https://staging.conocer.cide.edu/results/book-search/index.jsp/Main%20Idea%20Exercises%20With%20Answers.pdf>

Table of Contents Mechanical Structural Vibrations Theory Applications

1. Understanding the eBook Mechanical Structural Vibrations Theory Applications
 - The Rise of Digital Reading Mechanical Structural Vibrations Theory Applications
 - Advantages of eBooks Over Traditional Books
2. Identifying Mechanical Structural Vibrations Theory Applications
 - Exploring Different Genres
 - Considering Fiction vs. Non-Fiction
 - Determining Your Reading Goals
3. Choosing the Right eBook Platform
 - Popular eBook Platforms
 - Features to Look for in an Mechanical Structural Vibrations Theory Applications
 - User-Friendly Interface
4. Exploring eBook Recommendations from Mechanical Structural Vibrations Theory Applications
 - Personalized Recommendations
 - Mechanical Structural Vibrations Theory Applications User Reviews and Ratings

- Mechanical Structural Vibrations Theory Applications and Bestseller Lists
- 5. Accessing Mechanical Structural Vibrations Theory Applications Free and Paid eBooks
 - Mechanical Structural Vibrations Theory Applications Public Domain eBooks
 - Mechanical Structural Vibrations Theory Applications eBook Subscription Services
 - Mechanical Structural Vibrations Theory Applications Budget-Friendly Options
- 6. Navigating Mechanical Structural Vibrations Theory Applications eBook Formats
 - ePub, PDF, MOBI, and More
 - Mechanical Structural Vibrations Theory Applications Compatibility with Devices
 - Mechanical Structural Vibrations Theory Applications Enhanced eBook Features
- 7. Enhancing Your Reading Experience
 - Adjustable Fonts and Text Sizes of Mechanical Structural Vibrations Theory Applications
 - Highlighting and Note-Taking Mechanical Structural Vibrations Theory Applications
 - Interactive Elements Mechanical Structural Vibrations Theory Applications
- 8. Staying Engaged with Mechanical Structural Vibrations Theory Applications
 - Joining Online Reading Communities
 - Participating in Virtual Book Clubs
 - Following Authors and Publishers Mechanical Structural Vibrations Theory Applications
- 9. Balancing eBooks and Physical Books Mechanical Structural Vibrations Theory Applications
 - Benefits of a Digital Library
 - Creating a Diverse Reading Collection Mechanical Structural Vibrations Theory Applications
- 10. Overcoming Reading Challenges
 - Dealing with Digital Eye Strain
 - Minimizing Distractions
 - Managing Screen Time
- 11. Cultivating a Reading Routine Mechanical Structural Vibrations Theory Applications
 - Setting Reading Goals Mechanical Structural Vibrations Theory Applications
 - Carving Out Dedicated Reading Time
- 12. Sourcing Reliable Information of Mechanical Structural Vibrations Theory Applications
 - Fact-Checking eBook Content of Mechanical Structural Vibrations Theory Applications
 - Distinguishing Credible Sources

13. Promoting Lifelong Learning
 - Utilizing eBooks for Skill Development
 - Exploring Educational eBooks
14. Embracing eBook Trends
 - Integration of Multimedia Elements
 - Interactive and Gamified eBooks

Mechanical Structural Vibrations Theory Applications Introduction

Free PDF Books and Manuals for Download: Unlocking Knowledge at Your Fingertips In today's fast-paced digital age, obtaining valuable knowledge has become easier than ever. Thanks to the internet, a vast array of books and manuals are now available for free download in PDF format. Whether you are a student, professional, or simply an avid reader, this treasure trove of downloadable resources offers a wealth of information, conveniently accessible anytime, anywhere. The advent of online libraries and platforms dedicated to sharing knowledge has revolutionized the way we consume information. No longer confined to physical libraries or bookstores, readers can now access an extensive collection of digital books and manuals with just a few clicks. These resources, available in PDF, Microsoft Word, and PowerPoint formats, cater to a wide range of interests, including literature, technology, science, history, and much more. One notable platform where you can explore and download free Mechanical Structural Vibrations Theory Applications PDF books and manuals is the internet's largest free library. Hosted online, this catalog compiles a vast assortment of documents, making it a veritable goldmine of knowledge. With its easy-to-use website interface and customizable PDF generator, this platform offers a user-friendly experience, allowing individuals to effortlessly navigate and access the information they seek. The availability of free PDF books and manuals on this platform demonstrates its commitment to democratizing education and empowering individuals with the tools needed to succeed in their chosen fields. It allows anyone, regardless of their background or financial limitations, to expand their horizons and gain insights from experts in various disciplines. One of the most significant advantages of downloading PDF books and manuals lies in their portability. Unlike physical copies, digital books can be stored and carried on a single device, such as a tablet or smartphone, saving valuable space and weight. This convenience makes it possible for readers to have their entire library at their fingertips, whether they are commuting, traveling, or simply enjoying a lazy afternoon at home. Additionally, digital files are easily searchable, enabling readers to locate specific information within seconds. With a few keystrokes, users can search for keywords, topics, or phrases, making research and finding relevant information a breeze. This efficiency saves time and effort, streamlining the learning process and allowing individuals to focus on extracting the information they need. Furthermore, the availability of free PDF books and manuals

fosters a culture of continuous learning. By removing financial barriers, more people can access educational resources and pursue lifelong learning, contributing to personal growth and professional development. This democratization of knowledge promotes intellectual curiosity and empowers individuals to become lifelong learners, promoting progress and innovation in various fields. It is worth noting that while accessing free Mechanical Structural Vibrations Theory Applications PDF books and manuals is convenient and cost-effective, it is vital to respect copyright laws and intellectual property rights. Platforms offering free downloads often operate within legal boundaries, ensuring that the materials they provide are either in the public domain or authorized for distribution. By adhering to copyright laws, users can enjoy the benefits of free access to knowledge while supporting the authors and publishers who make these resources available. In conclusion, the availability of Mechanical Structural Vibrations Theory Applications free PDF books and manuals for download has revolutionized the way we access and consume knowledge. With just a few clicks, individuals can explore a vast collection of resources across different disciplines, all free of charge. This accessibility empowers individuals to become lifelong learners, contributing to personal growth, professional development, and the advancement of society as a whole. So why not unlock a world of knowledge today? Start exploring the vast sea of free PDF books and manuals waiting to be discovered right at your fingertips.

FAQs About Mechanical Structural Vibrations Theory Applications Books

How do I know which eBook platform is the best for me? Finding the best eBook platform depends on your reading preferences and device compatibility. Research different platforms, read user reviews, and explore their features before making a choice. Are free eBooks of good quality? Yes, many reputable platforms offer high-quality free eBooks, including classics and public domain works. However, make sure to verify the source to ensure the eBook credibility. Can I read eBooks without an eReader? Absolutely! Most eBook platforms offer web-based readers or mobile apps that allow you to read eBooks on your computer, tablet, or smartphone. How do I avoid digital eye strain while reading eBooks? To prevent digital eye strain, take regular breaks, adjust the font size and background color, and ensure proper lighting while reading eBooks. What the advantage of interactive eBooks? Interactive eBooks incorporate multimedia elements, quizzes, and activities, enhancing the reader engagement and providing a more immersive learning experience. Mechanical Structural Vibrations Theory Applications is one of the best book in our library for free trial. We provide copy of Mechanical Structural Vibrations Theory Applications in digital format, so the resources that you find are reliable. There are also many Ebooks of related with Mechanical Structural Vibrations Theory Applications. Where to download Mechanical Structural Vibrations Theory Applications online for free? Are you looking for Mechanical Structural Vibrations Theory Applications PDF? This is definitely

going to save you time and cash in something you should think about.

Find Mechanical Structural Vibrations Theory Applications :

[main idea exercises with answers](#)

[mah hsc physics imp questions and numericals](#)

[maine trout fishing guide](#)

[maho graziano gr 300 c operating manual](#)

[maharashtra board chemistry digest](#)

maintenance manual john deere 430

[magnavox mwd2206 user manual](#)

[makaveli the white book](#)

[maintainability of facilities](#)

magnavox 32md251d user guide

[magna repair manual](#)

[make my own periodic table](#)

[maintenance required honda odyssey 2001](#)

[maintenance assessment study guide](#)

[maid laid bare 5 maid for sale maid for service](#)

Mechanical Structural Vibrations Theory Applications :

[the practical nomad how to travel around the world](#) - Jul 15 2023

web the practical nomad how to travel around the world hasbrouck edward amazon com tr kitap

the practical nomad how to travel around the world - Oct 06 2022

web buy the practical nomad how to travel around the world by hasbrouck edward online on amazon ae at best prices fast and free shipping free returns cash on delivery available on eligible purchase

[the practical nomad how to travel around the world](#) - Feb 27 2022

web the practical nomad how to travel around the world hasbrouck edward 9781598808889 books amazon ca

the practical nomad how to travel around the world - Dec 08 2022

web the practical nomad how to travel around the world hasbrouck edward on amazon com au free shipping on eligible

orders the practical nomad how to travel around the world

the practical nomad how to travel around the world edward - May 01 2022

web jul 5 2022 expand all course content showing 1 50 of 5 708 the practical nomad how to travel around the world edward hasbrouck the circle of mountains a basque shepherding community the basque series sandra ott india baedeker guide baedeker guides baedeker chevy powered drag racing a photo gallery lou hart the

the practical nomad how to travel around the world moon - Mar 11 2023

web the practical nomad how to travel around the world moon handbooks hasbrouck edward amazon com tr kitap

the practical nomad how to travel around the world edward - Mar 31 2022

web mar 6 2022 the practical nomad how to travel around the world edward hasbrouck data engineer setup oea and build schedule and maintain pipelines for data ingestion and preparation faq alexander pushkin 403101 1 of 5 stars 2 of 5 stars 3 of 5 stars 4 of 5 stars 5 of 5 stars

the practical nomad how to travel around the world - Aug 16 2023

web oct 25 2011 the fully updated fifth edition of the practical nomad how to travel around the world includes information on new airport security procedures travel documents entry requirements and border crossings tips on airline tickets and how to find the best deals without getting ripped off

9781598808889 the practical nomad how to travel around the world - Aug 04 2022

web the practical nomad how to travel around the world by hasbrouck edward and a great selection of related books art and collectibles available now at abebooks com 9781598808889 the practical nomad how to travel around the world by hasbrouck edward abebooks

the practical nomad how to travel around the world youtube - Jun 14 2023

web bit ly 1dvru3aedward hasbrouck is an internationally recognized expert on around the world travel and has been advising travelers on the internet for

the practical nomad how to travel around the world amazon - Jul 03 2022

web the practical nomad how to travel around the world hasbrouck edward amazon sg books

the practical nomad how to travel around the world - Nov 07 2022

web the practical nomad how to travel around the world author edward hasbrouck summary edward hasbrouck the internet s best known authority on international airfares and travel planning here provides guidance and advice for

the practical nomad how to travel around the world - Sep 05 2022

web the practical nomad provides a global perspective that s necessary whether you re a first time trekker or an experienced explorer now more than ever it is important to understand other cultures and edward hasbrouck s guide makes the

the practical nomad how to travel around the world - Apr 12 2023

web buy the practical nomad how to travel around the world 4th by edward hasbrouck isbn 9781566918282 from amazon s book store everyday low prices and free delivery on eligible orders

the practical nomad how to travel around the world - Dec 28 2021

web abebooks com the practical nomad how to travel around the world 9781566914338 by hasbrouck edward and a great selection of similar new used and collectible books available now at great prices 9781566914338 the practical nomad how to travel around the world abebooks hasbrouck edward 1566914337 skip

the practical nomad how to travel around the world abebooks - Feb 10 2023

web the fully updated fifth edition of the practical nomad how to travel around the world includes information on new airport security procedures travel documents entry requirements and border crossings

practical nomad how to travel around the world paperback - Jan 09 2023

web practical nomad how to travel around the world hasbrouck edward amazon co uk books

the practical nomad how to travel around the world idioma - Jun 02 2022

web edward hasbrouck the practical nomad how to travel around the world idioma inglés tapa blanda 25 octubre 2011 edición en inglés de edward hasbrouck autor 10 valoraciones ver todos los formatos y ediciones tapa blanda 20 89 1 de 2ª mano desde 30 99 1 nuevo desde 20 89

the practical nomad how to travel around the world - Jan 29 2022

web this fully updated and expanded fourth edition of the practical nomad how to travel around the world includes information on new airport security procedures travel documents entry requirements and border crossings tips on airline tickets and how to find the best deals without getting ripped off advice on choosing destinations routes and

the practical nomad how to travel around the world 2nd edition - May 13 2023

web the perfect companion to destination specific guides this book of practicalities covers topics such how to find the time and money for extended travel tips about planning and staying on a budget searching out good travel deals on the internet obtaining passports and visas what to know about border crossings and health and safety advice

pre lab homework lab 7 nutrition digestion - Jan 28 2022

web pre lab homework lab 7 nutrition digestion biology biol It johnson county community college parent resources lablearner the science of learning an unbiased review of isagenix ancestral nutrition 5 thyroid patterns that won t show up on standard lab sibo diet and digestive health it s about fermentable blue buffalo admits to

pre lab questions exercise 7 biology flashcards quizlet - Jan 08 2023

web crenate when the cytoplasm of a plant cell is pressed against the cell wall the cell is said to be turgid cholera is a disease

whose main symptom is rapid dehydration study with quizlet and memorize flashcards containing terms like if one were to identify the most important compound for sustenance of life it would probably be a solvent

pre lab homework lab 7 nutrition digestion uniport edu - Sep 04 2022

web pre lab homework lab 7 nutrition digestion 2 8 downloaded from uniport edu ng on april 28 2023 by guest and skills a new framework for assessment biology laboratory manual darrell vodopich 2007 02 05 this laboratory manual is designed for an introductory majors biology course with a broad survey of basic laboratory techniques the experiments

download solutions pre lab homework lab 7 nutrition digestion - Jul 02 2022

web pre lab homework lab 7 nutrition digestion equine nutrition jan 22 2022 this authoritative and accessible guide provides practical advice to the horse owner on how to assess the individual horse s nutritional needs in the most effective and economical way this will in turn reduce

pre lab homework lab 7 nutrition digestion 2022 - Jun 01 2022

web jul 24 2023 4724485 pre lab homework lab 7 nutrition digestion 1 8 downloaded from id blockchain idea gov vn on by guest pre lab homework lab 7 nutrition digestion this is likewise one of the factors by obtaining the soft documents of this pre lab homework lab 7 nutrition digestion by online you might not require more get older

pre lab homework lab 7 nutrition digestion uniport edu - Mar 30 2022

web pre lab homework lab 7 nutrition digestion 2 10 downloaded from uniport edu ng on july 7 2023 by guest biology is relevant to their everyday lives for these reasons concepts of biology is grounded on an evolutionary basis and includes exciting features that highlight careers in the biological sciences and everyday applications of

pre lab homework lab 7 nutrition digestion pdf copy - Jul 14 2023

web this laboratory manual takes a very focused approach to the laboratory experience and provides students with tools to make the subject matter more relevant to their own bodies and to the world around them

pre lab homework lab 7 nutrition digestion - Aug 03 2022

web feb 26 2023 pre lab homework lab 7 nutrition digestion as recognized adventure as competently as experience roughly lesson amusement as skillfully as deal can be gotten by just checking out a book pre lab homework lab 7 nutrition digestion furthermore it is not directly done you could bow to even more all but this life on the subject of the world

lab 7 pre lab docx lab 7 animal digestive and excretory - Jun 13 2023

web part a chemical and enzymatic digestion of food most of the foods that we eat consist of large complex macromolecules carbohydrates proteins nucleic acids and fats that must be chemically digested into simpler monomers that are small enough to be absorbed through the cell membranes of the cells that line the digestive tract

pre lab homework lab 7 nutrition digestion pdf - Dec 07 2022

web may 28 2023 pre lab homework lab 7 nutrition digestion pdf is available in our book collection an online access to it is set as public so you can get it instantly our books collection hosts in multiple locations allowing you to

pre lab homework lab 7 nutrition digestion john watkins - Nov 06 2022

web pre lab homework lab 7 nutrition digestion is available in our book collection an online access to it is set as public so you can get it instantly our digital library hosts in multiple locations allowing you to get the most less latency time to

pre lab homework lab 7 nutrition digestion andreas schleicher - May 12 2023

web the publication as capably as perception of this pre lab homework lab 7 nutrition digestion can be taken as skillfully as picked to act anatomy physiology michael p mckinley 2021 human anatomy and physiology is a fascinating subject however students can be overwhelmed by the complexity the interrelatedness of

read free pre lab homework lab 7 nutrition digestion - Aug 15 2023

web the pre lab homework lab 7 nutrition digestion belong to that we have enough money here and check out the link you could buy lead pre lab homework lab 7 nutrition digestion or get it as soon as feasible you could speedily download this pre lab homework lab 7 nutrition digestion after getting deal

pre lab homework lab 7 nutrition digestion jetpack theaoi - Apr 30 2022

web pre lab homework lab 7 nutrition digestion buy smartypants kids complete fiber multivitamin omega 3 epa and dha fish oil vitamin d3 methyl b12 dietary supplements 120 counts on amazon com free shipping on qualified orders blue buffalo pet admitted the truth in court yesterday a substantial and material portion of blue buffalo pet

solved pre lab exercise 24 3 digestive enzymes chemical - Feb 09 2023

web question pre lab exercise 24 3 digestive enzymes chemical digestion is one of the main functions of the digestive system and is carried out with the help of numerous digestive enzymes list the organ that produces each

pre lab questions lab 7 flashcards quizlet - Oct 05 2022

web terms in this set 8 what treatments comparisons will we use to study the effect of light on photosynthesis utilize a colorimeter to determine the absorbances b w unboiled dark unboiled and boiled chloroplasts what molecule will we use to monitor photosynthesis in the experiment dpip 2 6 dichlorophenol indophenol

pre lab exercise digestiv flashcards quizlet - Mar 10 2023

web pre lab exercise digestiv a k a gastrointestinal g i tract the continuous muscular tube that winds through the body from the mouth to the anus a k a gastrointestinal g i tract the continuous muscular tube that winds through the body

pre lab homework lab 7 nutrition digestion help discoveram - Feb 26 2022

web may 15 2023 pre lab homework lab 7 nutrition digestion the lignans in rye could explain why rye intake is associated with lower breast and prostate cancer risk if you have hypothyroid symptoms but your lab tests are normal you may have one

of these patterns find helpful customer reviews and review ratings for optimum nutrition gold

[bio 2301 pre lab 16 lab homework name lt amp t](#) - Sep 16 2023

web digestive physiology pre lab questions please name the two types of digestion responsible for breaking food nutrients into small enough particles to be absorbed from the digestive tract into the bloodstream rytecrb n co djg or y jcj e coj djgt hlen rnti

[lab 17 gastrointestinal anatomy and digestion biology](#) - Apr 11 2023

web may 30 2021 2 explain why mechanical digestion only occurs in the mouth by teeth and muscle activity 3 describe process of chemical digestion and reason for process requiring enzymes 4 determine the role of the tissue and organs of the gastrointestinal system for overall regulation of homeostasis pre lab exercises

[steam community 3d earth time lapse pc live wallpaper](#) - Jan 28 2022

web unfortunately some time ago steam changed the display of programs on the main page which significantly reduced the reach of 3dm imagine your family business goes down 80 in one day nevertheless we have developed many unique designs that will go down in steam history as 3dm is the only publisher of 3d interactive wallpapers worldwide

steam experience wall calendar 2023 din a3 landscape - Jun 13 2023

web steam experience wall calendar 2023 din a3 landscape maurer marion amazon co uk stationery office supplies

[steam experience wall calendar 2023 din a3 landscape](#) - Sep 04 2022

web jetzt steam experience wall calendar 2023 din a3 landscape bestellen und weitere tolle kalender entdecken auf weltbild de versandkostenfrei 30 tage widerrufsrecht

steam landscape wall calendar 2020 din a3 landsca pdf - Feb 26 2022

web title steam landscape wall calendar 2020 din a3 landsca pdf pdf created date 6 13 2023 8 56 17 pm

[steam landscape wall calendar 2023 din a3 landscape](#) - Feb 09 2023

web steam landscape wall calendar 2023 din a3 landscape amazon ca office products

[steam landscape wall calendar 2022 din a3 landscape calendar amazon de](#) - Aug 15 2023

web steam landscape wall calendar 2022 din a3 landscape ireland david amazon de stationery office supplies

[3d earth time lapse pc live wallpaper on steam](#) - Dec 27 2021

web jul 2 2023 3d earth time lapse pc is our first project on the steam platform but we promise that with your support there will be more truly unique projects have a nice flight 3dm system requirements minimum os windows 10 11 only processor 2 8 ghz intel core 2 duo or better memory 4 gb ram

steam experience wall calendar 2023 din a3 landscape - Apr 11 2023

web steam experience wall calendar 2023 din a3 landscape calvendo monthly calendar wall calendars amazon com au

steam landscape wall calendar 2023 din a3 landscape - Apr 30 2022

web tolle kalender in grosser auswahl finden sie in unserem weltbild shop jetzt steam landscape wall calendar 2023 din a3 landscape bestellen weitere kalender entdecken

[steam landscape wall calendar 2023 din a3 landscape](#) - Jun 01 2022

web bestellen sie steam landscape wall calendar 2023 din a3 landscape entdecken sie weitere kalender im weltbild online shop finden sie ein riesen angebot an kalendern versandkostenfrei

ireland d steam landscape wall calendar 2020 din a3 - Jan 08 2023

web compre online ireland d steam landscape wall calendar 2020 din a3 lands british steam locomotives pictured in beautiful landscapes at various locations around england de ireland david na amazon frete grátis em milhares de produtos com o amazon prime encontre diversos livros em inglês e outras línguas com ótimos preços

steam engines wall calendar 2023 din a3 landscape weltbild - Nov 06 2022

web jetzt steam engines wall calendar 2023 din a3 landscape bestellen und weitere tolle kalender entdecken auf weltbild de

steam landscape wall calendar 2023 din a3 landscape - Jul 14 2023

web may 22 2022 steam landscape wall calendar 2023 din a3 landscape ireland david amazon co uk stationery office supplies

steam landscape wall calendar 2023 din a3 landscape - Aug 03 2022

web jetzt steam landscape wall calendar 2023 din a3 landscape bestellen und weitere tolle kalender entdecken auf weltbild de versandkostenfrei ab 29 bücher ab 5 30 tage widerrufsrecht

steam landscape wall calendar 2023 din a3 landscape - Oct 05 2022

web steam landscape wall calendar 2023 din a3 landscape calvendo monthly calendar ireland david amazon com au books

steam landscape wall calendar 2023 din a3 landscape kalender amazon de - Dec 07 2022

web steam landscape wall calendar 2023 din a3 landscape ireland david isbn 9781325808960 kostenloser versand für alle bücher mit versand und verkauf duch amazon

steam landscape wall calendar 2023 din a3 landscape calendar amazon de - May 12 2023

web apr 7 2022 steam landscape wall calendar 2023 din a3 landscape ireland david amazon de books

steam landscape wall calendar 2022 din a3 landscape british steam - Jul 02 2022

web compra online steam landscape wall calendar 2022 din a3 landscape british steam locomotives pictured in beautiful landscapes at various locations around england monthly calendar 14 pages envío en 1 día gratis con amazon prime

[steam landscape wall calendar 2023 din a3 landscape](#) - Mar 10 2023

web steam landscape wall calendar 2023 din a3 landscape british steam locomotives pictured in beautiful landscapes at

various locations around england monthly calendar 14 pages david ireland

steam landscape wall calendar 2020 din a3 landsca kate - Mar 30 2022

web steam landscape wall calendar 2020 din a3 landsca right here we have countless book steam landscape wall calendar 2020 din a3 landsca and collections to check out we additionally present variant types and in addition to type of the books to browse the satisfactory book fiction history novel scientific research as