

# RYOBI

REGISTER YOUR TOOLS  
<http://register.ryobitools.com>  
1-800-860-4050

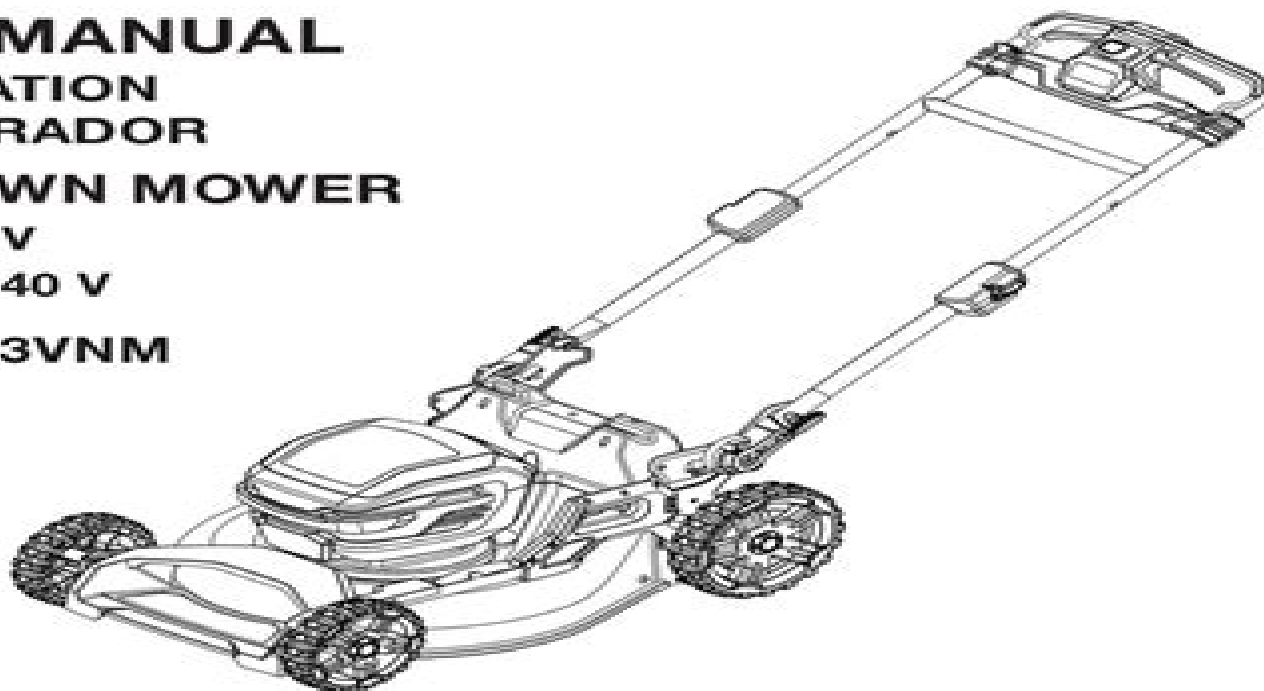
## OPERATOR'S MANUAL MANUEL D'UTILISATION MANUAL DEL OPERADOR

### 21 in. 40 VOLT LAWN MOWER

21 po, TONDEUSE 40 V

21 pulg., PODADORA 40 V

RY401013/RV401013VNM



■ Important Safety Instructions.....	2-4
■ Symbols.....	4-5
■ Features.....	6
■ Assembly.....	7-8
■ Operation.....	8-10
■ Maintenance.....	11-12
■ Troubleshooting.....	13
■ Parts Ordering and Service.....	Back Page

■ Instructions importantes concernant la sécurité.....	2-4
■ Symboles.....	5-6
■ Caractéristiques.....	7
■ Assemblage.....	8-9
■ Utilisation.....	9-12
■ Entretien.....	12-13
■ Dépannage.....	14
■ Commande de pièces et réparation.....	Page arrière

■ Instrucciones de seguridad importantes.....	2-4
■ Símbolos.....	5-6
■ Características.....	7
■ Armado.....	8-9
■ Funcionamiento.....	9-12
■ Mantenimiento.....	12-13
■ Corrección de problemas.....	14
■ Pedidos de piezas y servicio.....	Pág. posterior

**WARNING:** To reduce the risk of injury, the user must read and understand the operator's manual before using this product.

**AVERTISSEMENT :** Pour réduire les risques de blessures, l'utilisateur doit lire et veiller à bien comprendre le manuel d'utilisation avant d'employer ce produit.

**ADVERTENCIA:** Para reducir el riesgo de lesiones, el usuario debe leer y comprender el manual del operador antes de usar este producto.

**SAVE THIS MANUAL FOR FUTURE REFERENCE**

**CONSERVER CE MANUEL POUR FUTURE RÉFÉRENCE**

**GUARDE ESTE MANUAL PARA FUTURAS CONSULTAS**

# Lawn Boy Ryobi 31cc Manual

**Terry C. Jones**



## **Lawn Boy Ryobi 31cc Manual:**

Discover tales of courage and bravery in Explore Bravery with is empowering ebook, Unleash Courage in **Lawn Boy Ryobi 31cc Manual** . In a downloadable PDF format ( PDF Size: \*), this collection inspires and motivates. Download now to witness the indomitable spirit of those who dared to be brave.

[https://staging.conocer.cide.edu/About/Resources/default.aspx/geography\\_grade11\\_november\\_2014.pdf](https://staging.conocer.cide.edu/About/Resources/default.aspx/geography_grade11_november_2014.pdf)

## **Table of Contents Lawn Boy Ryobi 31cc Manual**

1. Understanding the eBook Lawn Boy Ryobi 31cc Manual
  - The Rise of Digital Reading Lawn Boy Ryobi 31cc Manual
  - Advantages of eBooks Over Traditional Books
2. Identifying Lawn Boy Ryobi 31cc Manual
  - Exploring Different Genres
  - Considering Fiction vs. Non-Fiction
  - Determining Your Reading Goals
3. Choosing the Right eBook Platform
  - Popular eBook Platforms
  - Features to Look for in an Lawn Boy Ryobi 31cc Manual
  - User-Friendly Interface
4. Exploring eBook Recommendations from Lawn Boy Ryobi 31cc Manual
  - Personalized Recommendations
  - Lawn Boy Ryobi 31cc Manual User Reviews and Ratings
  - Lawn Boy Ryobi 31cc Manual and Bestseller Lists
5. Accessing Lawn Boy Ryobi 31cc Manual Free and Paid eBooks
  - Lawn Boy Ryobi 31cc Manual Public Domain eBooks
  - Lawn Boy Ryobi 31cc Manual eBook Subscription Services
  - Lawn Boy Ryobi 31cc Manual Budget-Friendly Options
6. Navigating Lawn Boy Ryobi 31cc Manual eBook Formats

- ePub, PDF, MOBI, and More
  - Lawn Boy Ryobi 31cc Manual Compatibility with Devices
  - Lawn Boy Ryobi 31cc Manual Enhanced eBook Features
7. Enhancing Your Reading Experience
    - Adjustable Fonts and Text Sizes of Lawn Boy Ryobi 31cc Manual
    - Highlighting and Note-Taking Lawn Boy Ryobi 31cc Manual
    - Interactive Elements Lawn Boy Ryobi 31cc Manual
  8. Staying Engaged with Lawn Boy Ryobi 31cc Manual
    - Joining Online Reading Communities
    - Participating in Virtual Book Clubs
    - Following Authors and Publishers Lawn Boy Ryobi 31cc Manual
  9. Balancing eBooks and Physical Books Lawn Boy Ryobi 31cc Manual
    - Benefits of a Digital Library
    - Creating a Diverse Reading Collection Lawn Boy Ryobi 31cc Manual
  10. Overcoming Reading Challenges
    - Dealing with Digital Eye Strain
    - Minimizing Distractions
    - Managing Screen Time
  11. Cultivating a Reading Routine Lawn Boy Ryobi 31cc Manual
    - Setting Reading Goals Lawn Boy Ryobi 31cc Manual
    - Carving Out Dedicated Reading Time
  12. Sourcing Reliable Information of Lawn Boy Ryobi 31cc Manual
    - Fact-Checking eBook Content of Lawn Boy Ryobi 31cc Manual
    - Distinguishing Credible Sources
  13. Promoting Lifelong Learning
    - Utilizing eBooks for Skill Development
    - Exploring Educational eBooks
  14. Embracing eBook Trends
    - Integration of Multimedia Elements
    - Interactive and Gamified eBooks

## **Lawn Boy Ryobi 31cc Manual Introduction**

In this digital age, the convenience of accessing information at our fingertips has become a necessity. Whether its research papers, eBooks, or user manuals, PDF files have become the preferred format for sharing and reading documents. However, the cost associated with purchasing PDF files can sometimes be a barrier for many individuals and organizations. Thankfully, there are numerous websites and platforms that allow users to download free PDF files legally. In this article, we will explore some of the best platforms to download free PDFs. One of the most popular platforms to download free PDF files is Project Gutenberg. This online library offers over 60,000 free eBooks that are in the public domain. From classic literature to historical documents, Project Gutenberg provides a wide range of PDF files that can be downloaded and enjoyed on various devices. The website is user-friendly and allows users to search for specific titles or browse through different categories. Another reliable platform for downloading Lawn Boy Ryobi 31cc Manual free PDF files is Open Library. With its vast collection of over 1 million eBooks, Open Library has something for every reader. The website offers a seamless experience by providing options to borrow or download PDF files. Users simply need to create a free account to access this treasure trove of knowledge. Open Library also allows users to contribute by uploading and sharing their own PDF files, making it a collaborative platform for book enthusiasts. For those interested in academic resources, there are websites dedicated to providing free PDFs of research papers and scientific articles. One such website is Academia.edu, which allows researchers and scholars to share their work with a global audience. Users can download PDF files of research papers, theses, and dissertations covering a wide range of subjects. Academia.edu also provides a platform for discussions and networking within the academic community. When it comes to downloading Lawn Boy Ryobi 31cc Manual free PDF files of magazines, brochures, and catalogs, Issuu is a popular choice. This digital publishing platform hosts a vast collection of publications from around the world. Users can search for specific titles or explore various categories and genres. Issuu offers a seamless reading experience with its user-friendly interface and allows users to download PDF files for offline reading. Apart from dedicated platforms, search engines also play a crucial role in finding free PDF files. Google, for instance, has an advanced search feature that allows users to filter results by file type. By specifying the file type as "PDF," users can find websites that offer free PDF downloads on a specific topic. While downloading Lawn Boy Ryobi 31cc Manual free PDF files is convenient, its important to note that copyright laws must be respected. Always ensure that the PDF files you download are legally available for free. Many authors and publishers voluntarily provide free PDF versions of their work, but its essential to be cautious and verify the authenticity of the source before downloading Lawn Boy Ryobi 31cc Manual. In conclusion, the internet offers numerous platforms and websites that allow users to download free PDF files legally. Whether its classic literature, research papers, or magazines, there is something for everyone. The platforms mentioned in this article, such as Project Gutenberg, Open Library, Academia.edu, and Issuu, provide access to a vast collection of PDF files. However, users

should always be cautious and verify the legality of the source before downloading Lawn Boy Ryobi 31cc Manual any PDF files. With these platforms, the world of PDF downloads is just a click away.

### **FAQs About Lawn Boy Ryobi 31cc Manual Books**

How do I know which eBook platform is the best for me? Finding the best eBook platform depends on your reading preferences and device compatibility. Research different platforms, read user reviews, and explore their features before making a choice. Are free eBooks of good quality? Yes, many reputable platforms offer high-quality free eBooks, including classics and public domain works. However, make sure to verify the source to ensure the eBook credibility. Can I read eBooks without an eReader? Absolutely! Most eBook platforms offer web-based readers or mobile apps that allow you to read eBooks on your computer, tablet, or smartphone. How do I avoid digital eye strain while reading eBooks? To prevent digital eye strain, take regular breaks, adjust the font size and background color, and ensure proper lighting while reading eBooks. What the advantage of interactive eBooks? Interactive eBooks incorporate multimedia elements, quizzes, and activities, enhancing the reader engagement and providing a more immersive learning experience. Lawn Boy Ryobi 31cc Manual is one of the best book in our library for free trial. We provide copy of Lawn Boy Ryobi 31cc Manual in digital format, so the resources that you find are reliable. There are also many Ebooks of related with Lawn Boy Ryobi 31cc Manual. Where to download Lawn Boy Ryobi 31cc Manual online for free? Are you looking for Lawn Boy Ryobi 31cc Manual PDF? This is definitely going to save you time and cash in something you should think about.

### **Find Lawn Boy Ryobi 31cc Manual :**

[geography grade11 november 2014](#)

**geography grade exam paper and memorandum 24**

**geography question paper 2014 november paper 1 grade 10**

[geometry 5-1 practice answers](#)

[geography scope of grade11](#)

**geography scheme of work ssto ss2**

**geography paper 1 for grade ten**

[geography paper grade 11 june examination 2014](#)

[geography paper 2 2014 memo grade 11 nov](#)

[geometric and arithmetic sequence answer key](#)  
[geography november 2014 memorandum gauteng](#)  
[geography p2 g10 exemplar and memorandum](#)  
**geography paper 2june**  
**geography pgrade 1end of year exam 2014**  
*geography paperjune axam 2013*

**Lawn Boy Ryobi 31cc Manual :**

*caps for intermediate phase national department of basic* - May 11 2023

during the learning process there are specific aims that the teaching of mathematics aims to develop these include a critical awareness of how mathematical see more

*caps mathematics intermediate phase south* - Aug 14 2023

welcome to our caps mathematics category full of educational and engaging resources to help you plan maths lessons on any of the topics included in the caps curriculum for south africa firstly select the grade you teach from the left hand side to see resources tailored to each age group then you re see more

[thutong south african education portal](#) - Mar 09 2023

web sep 9 2010 curriculum and assessment policy statement caps mathematics intermediate phase 3 1 1 background the national curriculum statement grades r

[intermediate phase lessons wced eportal](#) - Apr 10 2023

web caps mathematics resources for your intermediate phase class welcome to our caps mathematics category full of educational and engaging resources to help you plan

[caps mathematics intermediate phase south africa page 2](#) - May 31 2022

web caps mathematics resources for your intermediate phase class welcome to our caps mathematics category full of educational and engaging resources to help you plan

*caps mathematics intermediate lesson plans pdf* - Nov 05 2022

web caps mathematics intermediate lesson plans a people s history of the united states mathematics teaching in the middle school visible learning for mathematics grades

[intermediate phase mathematics caps 123](#) - Dec 06 2022

web lesson plans for literacy language and numeracy mathematics for terms 1 and 2 are now available below first term lesson plans literacy grade 1 grade 2 grade 3



**curriculum and assessment policy statement** - Jun 12 2023

the amount of resources that we have to offer you can be daunting at first glance we d recommend making notes of what areas of caps maths you d like to see more

*caps concepts and skills for intermediate phase division topics* - Jul 01 2022

web this theoretical paper analyses the treatment of long division in the south african curriculum and assessment policy statement caps for intermediate phase mathematics 2011

*curriculum and assessment policy statement national* - Oct 04 2022

web jan 27 2015 mathematics grades 4 6 caps 3 section 1 introduction and background 1 1 background the national curriculum statement grades r 12

**free caps curriculum caps lesson plan** - Jan 07 2023

web get ip gr 4 6 lesson plans 14 17 april 2020 get ip gr 4 6 lesson plans 20 24 april 2020 get ip gr 4 6 lesson plans 28 30 april 2020 get ip gr 4 6

**caps mathematics intermediate phase south africa twinkl** - Apr 29 2022

web explore the different resources that we have for caps mathematics as intermediate phase they cover all the main topic areas for maths throughout grades 4 6

mathematics caps intermediate phase slideshare - Feb 08 2023

web the national curriculum statement grades r 12 ncs stipulates policy on curriculum and assessment in the schooling sector to improve implementation the national curriculum

**caps mathematics intermediate lesson plans pdf 2023** - Aug 02 2022

web a case its incorporation in the stem science technology engineering and mathematics classroom we use the embodied situated distributed cognition esdc model as

*curriculum and assessment policy statement english* - Sep 03 2022

web jan 27 2015 mathematics grade 1 3 caps 3 section 1 introduction and background 1 1 background the national curriculum statement grades r 12

**caps mathematics intermediate phase south africa** - Jul 13 2023

our caps mathematics resources are laid out according to caps curriculum aims meaning you can rest assured that they re suitable to use with your class plus see more

**colloquial russian the complete course for beginners** - Jul 01 2023

web jan 14 2018 balanced comprehensive and rewarding colloquial russian will be an indispensable resource both for independent learners and students taking courses in russian colloquials are now supported by free audio available online

*colloquial russian the complete course for beginners routledge* - Aug 02 2023

web colloquial russian the complete course for beginners by svetlana le Fleming Susan E Kay Mikhail Vodopyanov copyright 2023 412 pages 22 b w illustrations by routledge description colloquial russian provides a step by step course in russian as it is written and spoken today

*colloquial russian the complete course for beginners colloquial* - Aug 22 2022

web colloquial russian the complete course for beginners colloquial series 38 50 3 in stock colloquial russian is easy to use and completely up to date specially written by experienced teachers for self study or class use the course offers a step by step approach to written and spoken russian no prior knowledge of the language is required

colloquial russian the complete course for beginners - Oct 24 2022

web jun 25 2012 colloquial russian is easy to use and completely up to date specially written by experienced teachers for self study or class use the course offers a step by step approach to written and

colloquial russian the complete course for beginners - May 19 2022

web colloquial russian the complete course for beginners has been carefully developed by an experienced teacher to provide a step by step course to russian as it is written and spoken today

colloquial russian the complete course for beginners colloquial - Apr 29 2023

web sep 8 1997 56 95 2 in stock colloquial russian is easy to use and completely brilliant specially written by experienced teachers for self study or class use the course offers you a step by step approach to written and spoken russian no prior knowledge of the language is required

**colloquial russian the complete course for beginners** - Jun 19 2022

web colloquial russian is easy to use and completely brilliant specially written by experienced teachers for self study or class use the course offers you a step by step approach to written and

**colloquial russian the complete course for beginners** - Oct 04 2023

web nov 8 2022 colloquial russian the complete course for beginners free download borrow and streaming internet archive topics russian russian language east slavic collection opensource coursebook on colloquial russian language addeddate 2022 11 08 05 19 07 identifier colloquial russian the complete course

colloquial russian the complete course for beginners - Dec 26 2022

web colloquial russian is easy to use and completely up to date specially written by experienced teachers for self study or class use the course offers a step by step approach to written and

**colloquial russian the complete course for beginners** - Sep 03 2023

web s 74 51 3 only 1 left in stock colloquial russian is easy to use and completely brilliant specially written by experienced

teachers for self study or class use the course offers you a step by step approach to written and spoken russian no prior knowledge of

**colloquial russian the complete course for beginners colloquial** - Mar 29 2023

web colloquial russian the complete course for beginners colloquial series 38 50 3 in stock colloquial russian provides a step by step course in russian as it is written and spoken today

**colloquial russian the complete course for beginners colloquial** - Feb 25 2023

web aug 2 2015 colloquial russian the complete course for beginners has been carefully developed by an experienced teacher to provide a step by step course to russian as it is written and spoken today

**colloquial russian the complete course for beginners colloquial** - Jul 21 2022

web history criticism buy new 38 50 rrp 42 99 save 4 49 10 free returns free delivery thursday 14 september details or fastest delivery tuesday 12 september order within 3 hrs 52 mins details select delivery location quantity add to basket buy now payment secure transaction dispatches from amazon sold by amazon

*colloquial russian the complete course for beginners* - Mar 17 2022

web free ebook to browse colloquial russian is easy to use and completely up to date specially written by experienced teachers for self study or class use the course offers a step by step approach to written and spoken russian no prior knowledge of

**colloquial russian the complete course for beginners goodreads** - Jan 27 2023

web sep 1 1993 colloquial russian the complete course for beginners svetlana le fleming susan e kay 4 00 48 ratings3 reviews colloquial russian is easy to use and completely up to date specially written by experienced teachers for self study or class use the course offers a step by step approach to written and spoken russian

**colloquial russian the complete course for beginners** - Feb 13 2022

web colloquial russian provides a step by step course in russian as it is written and spoken today combining a user friendly approach with a thorough treatment of the language it equips learners with the essential skills needed to communicate confidently and effectively in russian in a broad range of situations features include

**colloquial russian the complete course for beginners** - May 31 2023

web mar 30 2023 colloquial russian provides a step by step course in russian as it is written and spoken today combining a user friendly approach with a thorough treatment of the language it equips learners with the essential skills needed to communicate confidently and effectively in russian in a broad range of situations requiring no prior

**colloquial russian the complete course for beginners colloquial** - Apr 17 2022

web jul 16 2007 45 56 3 in stock colloquial russian is easy to use and completely brilliant specially written by experienced

teachers for self study or class use the course offers you a step by step approach to written and spoken russian no prior knowledge of the language is required

[colloquial russian the complete course for beginners](#) - Nov 24 2022

web foreign language study reference buy new 86 28 import fees deposit included 6 72 prime delivery wednesday october 18 order within 21 hrs 32 mins details extended delivery time this item is fulfilled by amazon from outside of canada separate terms and conditions apply select delivery location only 1 left in stock buy now

**colloquial russian the complete course for beginners** - Sep 22 2022

web aug 14 2015 colloquial russian the complete course for beginners has been carefully developed by an experienced teacher to provide a step by step course to russian as it is written and spoken

[properties of waves virtual lab simulation a answer key](#) - Aug 31 2022

web hide timer 1 which wave parameter measures the height of the crest of a wave wavelength amplitude frequency

[wave properties lab 25 answers orientation sutd edu sg](#) - Dec 03 2022

web wave properties how do frequency amplitude and wavelength of a transverse wave affect its energy introduction energy can be transported by waves there are many

[wave properties 25 lab answers marketspot uccs edu](#) - Jan 24 2022

web jul 25 2011 anatomy of a wave pdf 61 kb waves on a string teacher notes and lesson doc 73 kb waves on a string pre lab docx 975 kb waves on a string teacher

**properties of a wave lab phet contribution** - Apr 07 2023

web apr 28 2015 finding wave properties description this is an activity we use in 9th grade physics towards the beginning of the wave unit the students learning goals are 1

[finding wave properties phet contribution](#) - Mar 06 2023

web view wave properties lab answer key pdf from xyz cop5525 at texas wesleyan university wave properties lab answer key eventually you will agreed discover a

**properties of waves lab guide phet contribution** - Oct 13 2023

web apr 12 2017 wave properties lab guide answers pdf 120 kb download all files as a compressed zip title properties of waves lab guide description activity guide for

**wave properties 25 lab answers pdf db csda** - Apr 26 2022

web wave properties lab 25 answers pdf reviewing wave properties lab 25 answers pdf unlocking the spellbinding force of linguistics in a fast paced world fueled by

**properties of waves virtual lab answer key free answers for** - Jun 28 2022

web wave properties lab 25 answer key yeah reviewing a ebook wave properties lab 25 answer key could mount up your near contacts listings this is just one of the solutions

**properties of a wave phet contribution** - Dec 23 2021

web dec 4 2020 properties of waves and wave speed description students will explore the properties of waves they will calculate the speed of waves as well subject physics

**wave properties lab 25 answer key pdf** - May 28 2022

web answers wave properties lab 25 answers title ebooks final exam answer key lesson 8 prentice hall algebra 2 practice 04 properties of waves iu b

**13 2 wave properties speed amplitude frequency** - Jul 10 2023

web in addition to amplitude frequency and period their wavelength and wave velocity also characterize waves the wavelength  $\lambda$  is the distance between adjacent identical parts

lab handout lab 19 wave properties nsta - Nov 02 2022

web 5 important properties of waves the main properties of waves are as follows property 1 amplitude the maximum displacement of the wave from the mean position is called

*waves and wave properties teachengineering* - Jan 04 2023

web wave properties lab 25 answers ligo and virgo observatories detect gravitational wave september 27th 2017 in august detectors on two continents recorded gravitational

properties of waves practice test questions chapter exam - Jul 30 2022

web pdf wave properties 25 lab answers parked dvl zoneedit com igcse physics section c waves properties of wavesproperties of waves wave properties 25 lab

**properties of waves and wave speed phet contribution** - Nov 21 2021

**wave properties article waves khan academy** - Jun 09 2023

web review your understanding of wave properties in this free article aligned to ngss standards key points a wave is a repeating disturbance that travels through matter or

**wave properties lab 25 answers pdf full pdf live hubitat** - Mar 26 2022

web short waves on the ocean surface play an important role in surface electromagnetic e m scattering electromagnetic scattering theory is well developed but the short wavelength

**lab 25 waves activity 25 waves objective to learn studocu** - Sep 12 2023

web lab 25 waves activity 25 waves objective to learn visually about some of the main properties of studocu activity 25 waves

objective to learn visually about some of the

**wave properties 25 lab answers renewalcc** - Feb 22 2022

web 2 wave properties 25 lab answers 2021 07 23 25 wave properties by nick ash on prezistart studying wave properties lab learn vocabulary terms and more with

**wave properties lab answer key pdf course hero** - Feb 05 2023

web answer speed 2 m x 500 hz 1000 m s changing wave direction 1 reflection when waves bounce off a surface if the surface is flat the angle at which the wave hits the

learn properties of waves byju s - Oct 01 2022

web downloads properties of waves virtual lab simulation a answer key 3418 kb s 9407 properties of waves virtual lab simulation a answer key updated 3531 kb s 11355

**lab 25 wave properties by nick ash prezi** - Aug 11 2023

web nov 19 2012 lab 25 wave properties f wave transfer from one medium to another by nick zach brad and dylan c what happens to the wavelength of a wave when it

**copy of answers properties of waves virtual lab** - May 08 2023

web oct 2 2013 properties of a wave lab students explore the properties of waves founded in 2002 by nobel laureate carl wieman the phet interactive simulations