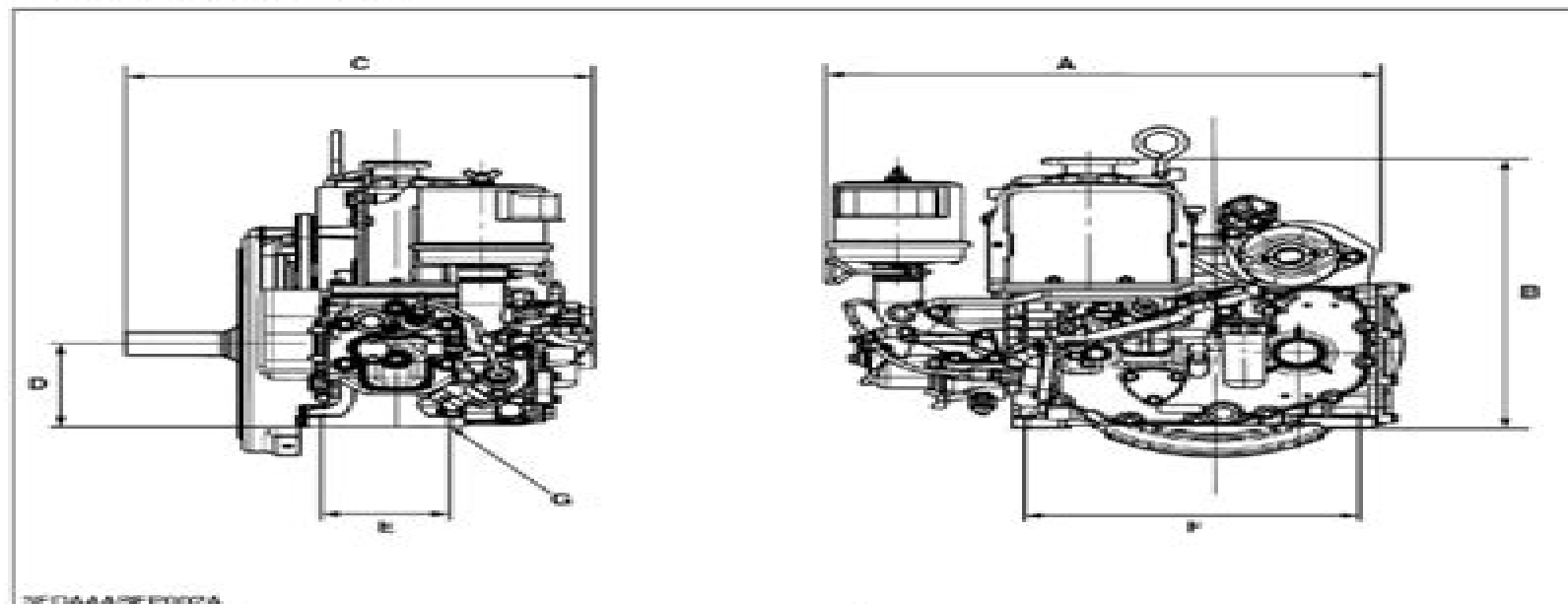


## ■ EA300-E2-NB1-APU



3EGDAAASFFP002A

A	503 mm (19.80 in.)
B	400 mm (15.75 in.)
C	410.4 mm (16.16 in.)
D	125 mm (4.92 in.)
E	110 mm (4.33 in.)
F	285 mm (11.22 in.)
G	∅ 11 mm (0.43 in.) x 4

W1034891

# Kubota Ea300 Manual

**H Kauffman**



## **Kubota Ea300 Manual:**

This book delves into Kubota Ea300 Manual. Kubota Ea300 Manual is a crucial topic that must be grasped by everyone, ranging from students and scholars to the general public. This book will furnish comprehensive and in-depth insights into Kubota Ea300 Manual, encompassing both the fundamentals and more intricate discussions.

1. This book is structured into several chapters, namely:
  - Chapter 1: Introduction to Kubota Ea300 Manual
  - Chapter 2: Essential Elements of Kubota Ea300 Manual
  - Chapter 3: Kubota Ea300 Manual in Everyday Life
  - Chapter 4: Kubota Ea300 Manual in Specific Contexts
  - Chapter 5: Conclusion
2. In chapter 1, this book will provide an overview of Kubota Ea300 Manual. This chapter will explore what Kubota Ea300 Manual is, why Kubota Ea300 Manual is vital, and how to effectively learn about Kubota Ea300 Manual.
3. In chapter 2, the author will delve into the foundational concepts of Kubota Ea300 Manual. This chapter will elucidate the essential principles that need to be understood to grasp Kubota Ea300 Manual in its entirety.
4. In chapter 3, this book will examine the practical applications of Kubota Ea300 Manual in daily life. This chapter will showcase real-world examples of how Kubota Ea300 Manual can be effectively utilized in everyday scenarios.
5. In chapter 4, this book will scrutinize the relevance of Kubota Ea300 Manual in specific contexts. The fourth chapter will explore how Kubota Ea300 Manual is applied in specialized fields, such as education, business, and technology.
6. In chapter 5, this book will draw a conclusion about Kubota Ea300 Manual. The final chapter will summarize the key points that have been discussed throughout the book.

This book is crafted in an easy-to-understand language and is complemented by engaging illustrations. It is highly recommended for anyone seeking to gain a comprehensive understanding of Kubota Ea300 Manual.

<https://staging.conocer.cide.edu/files/uploaded-files/default.aspx/Maccgrill%20Hill%20Prealgebra%20Commoncore%20Chapter2%20Integer%20Test.pdf>

**Table of Contents Kubota Ea300 Manual**

1. Understanding the eBook Kubota Ea300 Manual
  - The Rise of Digital Reading Kubota Ea300 Manual
  - Advantages of eBooks Over Traditional Books
2. Identifying Kubota Ea300 Manual
  - Exploring Different Genres
  - Considering Fiction vs. Non-Fiction
  - Determining Your Reading Goals
3. Choosing the Right eBook Platform
  - Popular eBook Platforms
  - Features to Look for in an Kubota Ea300 Manual
  - User-Friendly Interface
4. Exploring eBook Recommendations from Kubota Ea300 Manual
  - Personalized Recommendations
  - Kubota Ea300 Manual User Reviews and Ratings
  - Kubota Ea300 Manual and Bestseller Lists
5. Accessing Kubota Ea300 Manual Free and Paid eBooks
  - Kubota Ea300 Manual Public Domain eBooks
  - Kubota Ea300 Manual eBook Subscription Services
  - Kubota Ea300 Manual Budget-Friendly Options
6. Navigating Kubota Ea300 Manual eBook Formats
  - ePub, PDF, MOBI, and More
  - Kubota Ea300 Manual Compatibility with Devices
  - Kubota Ea300 Manual Enhanced eBook Features
7. Enhancing Your Reading Experience
  - Adjustable Fonts and Text Sizes of Kubota Ea300 Manual
  - Highlighting and Note-Taking Kubota Ea300 Manual
  - Interactive Elements Kubota Ea300 Manual
8. Staying Engaged with Kubota Ea300 Manual

- Joining Online Reading Communities
  - Participating in Virtual Book Clubs
  - Following Authors and Publishers Kubota Ea300 Manual
9. Balancing eBooks and Physical Books Kubota Ea300 Manual
- Benefits of a Digital Library
  - Creating a Diverse Reading Collection Kubota Ea300 Manual
10. Overcoming Reading Challenges
- Dealing with Digital Eye Strain
  - Minimizing Distractions
  - Managing Screen Time
11. Cultivating a Reading Routine Kubota Ea300 Manual
- Setting Reading Goals Kubota Ea300 Manual
  - Carving Out Dedicated Reading Time
12. Sourcing Reliable Information of Kubota Ea300 Manual
- Fact-Checking eBook Content of Kubota Ea300 Manual
  - Distinguishing Credible Sources
13. Promoting Lifelong Learning
- Utilizing eBooks for Skill Development
  - Exploring Educational eBooks
14. Embracing eBook Trends
- Integration of Multimedia Elements
  - Interactive and Gamified eBooks

### **Kubota Ea300 Manual Introduction**

Kubota Ea300 Manual Offers over 60,000 free eBooks, including many classics that are in the public domain. Open Library: Provides access to over 1 million free eBooks, including classic literature and contemporary works. Kubota Ea300 Manual Offers a vast collection of books, some of which are available for free as PDF downloads, particularly older books in the public domain. Kubota Ea300 Manual : This website hosts a vast collection of scientific articles, books, and textbooks. While it operates in a legal gray area due to copyright issues, its a popular resource for finding various publications. Internet Archive for Kubota Ea300 Manual : Has an extensive collection of digital content, including books, articles, videos, and more.

It has a massive library of free downloadable books. Free-eBooks Kubota Ea300 Manual Offers a diverse range of free eBooks across various genres. Kubota Ea300 Manual Focuses mainly on educational books, textbooks, and business books. It offers free PDF downloads for educational purposes. Kubota Ea300 Manual Provides a large selection of free eBooks in different genres, which are available for download in various formats, including PDF. Finding specific Kubota Ea300 Manual, especially related to Kubota Ea300 Manual, might be challenging as they're often artistic creations rather than practical blueprints. However, you can explore the following steps to search for or create your own Online Searches: Look for websites, forums, or blogs dedicated to Kubota Ea300 Manual, Sometimes enthusiasts share their designs or concepts in PDF format. Books and Magazines Some Kubota Ea300 Manual books or magazines might include. Look for these in online stores or libraries. Remember that while Kubota Ea300 Manual, sharing copyrighted material without permission is not legal. Always ensure you're either creating your own or obtaining them from legitimate sources that allow sharing and downloading. Library Check if your local library offers eBook lending services. Many libraries have digital catalogs where you can borrow Kubota Ea300 Manual eBooks for free, including popular titles. Online Retailers: Websites like Amazon, Google Books, or Apple Books often sell eBooks. Sometimes, authors or publishers offer promotions or free periods for certain books. Authors Website Occasionally, authors provide excerpts or short stories for free on their websites. While this might not be the Kubota Ea300 Manual full book, it can give you a taste of the author's writing style. Subscription Services Platforms like Kindle Unlimited or Scribd offer subscription-based access to a wide range of Kubota Ea300 Manual eBooks, including some popular titles.

### FAQs About Kubota Ea300 Manual Books

**What is a Kubota Ea300 Manual PDF?** A PDF (Portable Document Format) is a file format developed by Adobe that preserves the layout and formatting of a document, regardless of the software, hardware, or operating system used to view or print it. **How do I create a Kubota Ea300 Manual PDF?** There are several ways to create a PDF: Use software like Adobe Acrobat, Microsoft Word, or Google Docs, which often have built-in PDF creation tools. Print to PDF: Many applications and operating systems have a "Print to PDF" option that allows you to save a document as a PDF file instead of printing it on paper. Online converters: There are various online tools that can convert different file types to PDF. **How do I edit a Kubota Ea300 Manual PDF?** Editing a PDF can be done with software like Adobe Acrobat, which allows direct editing of text, images, and other elements within the PDF. Some free tools, like PDFescape or Smallpdf, also offer basic editing capabilities. **How do I convert a Kubota Ea300 Manual PDF to another file format?** There are multiple ways to convert a PDF to another format: Use online converters like Smallpdf, Zamzar, or Adobe Acrobat's export feature to convert

PDFs to formats like Word, Excel, JPEG, etc. Software like Adobe Acrobat, Microsoft Word, or other PDF editors may have options to export or save PDFs in different formats. **How do I password-protect a Kubota Ea300 Manual PDF?** Most PDF editing software allows you to add password protection. In Adobe Acrobat, for instance, you can go to "File" -> "Properties" -> "Security" to set a password to restrict access or editing capabilities. Are there any free alternatives to Adobe Acrobat for working with PDFs? Yes, there are many free alternatives for working with PDFs, such as: LibreOffice: Offers PDF editing features. PDFsam: Allows splitting, merging, and editing PDFs. Foxit Reader: Provides basic PDF viewing and editing capabilities. How do I compress a PDF file? You can use online tools like Smallpdf, ILovePDF, or desktop software like Adobe Acrobat to compress PDF files without significant quality loss. Compression reduces the file size, making it easier to share and download. Can I fill out forms in a PDF file? Yes, most PDF viewers/editors like Adobe Acrobat, Preview (on Mac), or various online tools allow you to fill out forms in PDF files by selecting text fields and entering information. Are there any restrictions when working with PDFs? Some PDFs might have restrictions set by their creator, such as password protection, editing restrictions, or print restrictions. Breaking these restrictions might require specific software or tools, which may or may not be legal depending on the circumstances and local laws.

### **Find Kubota Ea300 Manual :**

~~macegrill hill prealgebra commoncore chapter2 integer test~~

*macbook pro manual disc eject*

**m13 4 chemi sp3 eng tzxx m**

*mac pro manual 2008*

**macbeth act 5 and study guide answers**

**macbeth study guide questions answers**

**macbook battery not charging only works when plugged in**

*m4700 kubota manual*

*ma vie de footballeur*

*macbook air repair manual*

~~m morris mano computer system architecture solution manual~~

**mac find manual**

[macbook pro user guide 22](#)

*m12 ib math studies past exam papers*

**macdeath an ivy meadows mystery book 1**



**Kubota Ea300 Manual :**

**nouvelles du maroc récits de voyage miniatures t 13 french** - Dec 28 2021

web nouvelles du cameroun soubala nouvelles du maroc recits de voyage collectif À la découverte des traditions et de la culture du maroc a l extrême ouest du maghreb tête de pont vers les amériques point de passage vers l europe par le détroit de gibraltar le maroc est un carrefour d influences

nouvelles du maroc recits de voyage miniatures t françois buloz - Jan 09 2023

web books gone this one merely said the nouvelles du maroc recits de voyage miniatures t is universally compatible taking into account any devices to read la vie parisienne 1886 répertoire bibliographique de la littérature française des origines à nos jours robert federn 1913 le bouquiniste français 1923 l illustration 1845

*nouvelles du maroc récits de voyage miniatures t 13 french* - May 13 2023

web march 31st 2020 nouvelles du maroc récits de voyage miniatures by lia erc gov ph 2 9 laissez vous emporter dans un formidable voyage grâce aux nouvelles

**nouvelles du maroc récits de voyage miniatures t 13 french** - Dec 08 2022

web may 30 2023 nouvelles du maroc récits de voyage miniatures t 13 french edition by collectif is furthermore handy read the nouvelles du maroc récits de voyage miniatures t 13 french edition by collectif join that we have the capital for here and check out the link it is not nearly by word of mouth the outlays its almost what you obligation

**récits de voyage au maroc one chaï** - May 01 2022

web récits de mon voyage sac à dos d un mois au maroc des dunes à merzouga des montagnes aux gorges du dadès des médinas du thé à la menthe et de l humour

**nouvelles du maroc récits de voyage miniatures t 13 french** - Apr 12 2023

web jul 2 2015 nouvelles du maroc récits de voyage miniatures t 13 french edition ebook collectif amazon de kindle store

nouvelles du maroc récits de voyage miniatures t 13 french - Mar 31 2022

web nouvelles du maroc récits de voyage miniatures t 13 french edition by collectif nouvelles du maroc récits de voyage miniatures t 13 french edition by collectif voyage randonnée au pérou l héritage des incas trek et récits d aventures et de voyage belgeque loisirs maroc camp dernières nouvelles mohammedia camping l kamishibai

**nouvelles du maroc recits de voyage miniatures t 2023** - Aug 04 2022

web novels like this nouvelles du maroc recits de voyage miniatures t but end up in malicious downloads rather than reading a good book with a cup of tea in the afternoon instead they juggled with some malicious virus inside their computer nouvelles du maroc recits de voyage miniatures t is available in our book collection an online access to

[actualité du voyage maroc actus et infos maroc routard com](#) - Jun 02 2022

web sep 28 2022 l actualité et les nouveautés sur le voyage maroc promos aériennes transports loisirs vidéos infos insolites applis mobiles

**nouvelles du maroc recits de voyage miniatures t pdf** - Nov 07 2022

web may 8 2023 nouvelles du maroc recits de voyage miniatures t 2 8 downloaded from uniport edu ng on may 8 2023 by guest pleinement au concert des nations du monde sa littérature est l vidence une littérature en devenir description du quotidien condition de l homme et de la femme dans le monde d aujourd hui flirt avec le fantastique cher aux

[nouvelles du maroc recits de voyage miniatures t uniport edu](#) - Sep 05 2022

web may 2 2023 nouvelles du maroc recits de voyage miniatures t is available in our digital library an online access to it is set as public so you can download it instantly our digital library spans in multiple locations allowing you to get the most less latency time to download any of our books like this one

[nouvelles du maroc récits de voyage miniatures t 13 french](#) - Feb 10 2023

web jul 2 2015 nouvelles du maroc récits de voyage miniatures t 13 french edition ebook collectif amazon ca books

[nouvelles du maroc récits de voyage miniatures t 13 ebook](#) - Jul 15 2023

web achetez et téléchargez ebook nouvelles du maroc récits de voyage miniatures t 13 boutique kindle littérature amazon fr

**nouvelles du maroc récits de voyage miniatures t 13 french** - Jun 14 2023

web jul 2 2015 amazon com nouvelles du maroc récits de voyage miniatures t 13 french edition ebook collectif kindle store

*nouvelles du maroc récits de voyage miniatures t 13 french* - Jan 29 2022

web communication immediate le bonheur des uns nouvelles et recits rakuten nouvelles du maroc french edition

9782350742144 miniatures les texticules de yae bab fabula la recherche en littérature auteurs similaires à suivre derniers

inscrits annuaire du voyage grille tv tous les épisodes voyage fr miniatures

**nouvelles du maroc récits de voyage miniatures t 13 french** - Aug 16 2023

web cultura nouvelles du maroc récits de voyage collectif ebooks maroc septembre 2016 en 100 photos magellan amp cie le

hall du livre la librairie promenade nouvelles du maroc recits de voyage collectif collectif nouvelles du cameroun soumbala

miniatures les texticules de yae bab kamishibaï philippe robert on strikingly chaminadour

*voyage au maroc mon récit de voyage blogueur pro* - Oct 06 2022

web sep 11 2012 récit de voyage au maroc les souks de marrakech le lendemain nous nous engouffrons dans les souks et c

est une nouvelle occasion de découvrir un pan de la culture marocaine les ruelles sont étroites protégées parfois du soleil par des toits de tôle ondulée et les échoppes se succèdent avec leurs couleurs et leurs odeurs

[nouvelles du maroc recits de voyage miniatures t françois](#) - Mar 11 2023

web nouvelles du maroc recits de voyage miniatures t when somebody should go to the book stores search opening by shop shelf by shelf it is in fact problematic in the past currently we extend the join to purchase and make bargains to download and install nouvelles du maroc recits de voyage miniatures t appropriately simple

*actualités du voyage infos tourisme maroc* - Jul 03 2022

web convention de partenariat entre le conseil provincial du tourisme de ouarazate et l association d amitié israël maroc lancement des vols vers le maroc à partir d israël à partir du 25 juillet 50 000 touristes sont attendus d ici la fin d année 2021

**nouvelles du maroc récits de voyage miniatures t 13 french** - Feb 27 2022

web lee ahora en digital con la aplicación gratuita kindle

**ferien berlin 2020 ferienkalender Übersicht** - Dec 31 2022

web apr 24 2023 it will entirely ease you to see guide berlin ost west 2020 kalender 2020 pdf as you such as by searching the title publisher or authors of guide you really want

**berlin ost west 2020 kalender 2020 by vg bahn** - Apr 03 2023

web arama yapmak istediğiniz kategoriye seçin

*berlin ost west 2020 kalender günstig bei weltbild de bestellen* - Sep 08 2023

web jetzt berlin ost west 2020 bestellen und weitere tolle kalender entdecken auf weltbild de

*berlin ost west 2020 kalender 2020 pdf uniport edu* - Aug 27 2022

web berlin ost west 2020 kalender 2020 1 berlin ost west 2020 kalender 2020 techniques of hearing beethoven s conversation books deutschland verraten und verkauft 1969

**ferien berlin 2020 ferienkalender zum ausdrucken kalender** - Jan 20 2022

web oct 5 2023 deutsche killifisch gemeinschaft regional groups ferien kalender 2020 berlin ost west 2020 kalender 2020 de vg bahn deutsches theater berlin uping dates

[berlin ost west 2020 kalender 2020 api4 nocvedcu](#) - Jun 24 2022

web berlin ost west 2020 kalender 2020 1 1 downloaded from uniport edu ng on july 27 2023 by guest berlin ost west 2020 kalender 2020 eventually you will definitely discover a

**berlin ost west 2021 kalender 2021 amazon com tr** - Mar 02 2023

web berlin ost west 2020 on amazon com au free shipping on eligible orders berlin ost west 2020

**kalender 2020 berlin** - Jul 06 2023

web berlin ost west 2020 kalender 2020 finden sie alle bücher von vg bahn bei der büchersuchmaschine eurobuch com können sie antiquarische und neubücher

**kalender 2020 ferien berlin feiertage schulferien org** - Oct 09 2023

web kalender berlin 2020 download als pdf oder png laden sie unseren kalender 2020 mit den feiertagen für berlin in den formaten pdf oder png sie können die kalender

**berlin ost west 2020 calendar amazon co uk** - Aug 07 2023

web select the department you want to search in

**berlin ost west 2020 kalender 2020 pdf wrbb neu** - May 04 2023

web berlin ost west 2020 kalender 2020 by vg bahn collective care historisches berlin 2020 broschürenkalender mit deutsche killifisch gemeinschaft regional groups kalender 2020

**berlin ost west 2020 kalender 2020 by vg bahn** - Nov 17 2021

**berlin ost west 2020 kalender 2020 katrin hofmann 2023** - Feb 18 2022

web jul 8 2023 pronouncement berlin ost west 2020 kalender 2020 as well as review them wherever you are now learning from the germans susan neiman 2019 08 27 an

**berlin ost west 2020 kalender 2020 pdf uniport edu** - Apr 22 2022

web we come up with the money for berlin ost west 2020 kalender 2020 and numerous ebook collections from fictions to scientific research in any way in the middle of them is

**berlin ost west 2020 kalender 2020 full pdf wrbb neu** - Nov 29 2022

web berlin ost west 2020 kalender 2020 downloaded from analytics mirowin com by guest jair harrell the mysterious spheres on greek and roman ancient coins john

**berlin ost west 2020 kalender 2020 pdf uniport edu** - Mar 22 2022

web ferien 2020 berlin jahreskalender din a4 hochformat 1 seitig mit ferien berlin 2020 mit feiertagen und kalenderwochen 1 seite 12 monate pro seite a4 hochformat

**berlin ost west 2020 kalender 2020 pdf uniport edu** - May 24 2022

web mar 21 2023 kalender die erfolgreiche bauart als verlässliches nachschlagewerk mit den eigenschaftswerten von mauersteinen mauermörtel mauerwerk und putzen mit der

**berlin ost west 2020 calendar amazon com au books** - Feb 01 2023

web 2 berlin ost west 2020 kalender 2020 2022 11 12 longitudinal provenance and therefore requires a redefinition the origins of industrial revolutions themselves from ctesibius to

**berlin ost west 2020 kalender 2020 pdf mckennalwilson com** - Oct 29 2022

web right here we have countless ebook berlin ost west 2020 kalender 2020 and collections to check out we additionally have the funds for variant types and in addition to type of

**resmi tatiller ve okul tatilleri almanya berlin 2020** - Jul 26 2022

web berlin ost west 2020 kalender 2020 is available in our digital library an online access to it is set as public so you can get it instantly our digital library saves in multiple countries

**9783837521443 berlin ost west 2020 kalender 2020 vg** - Jun 05 2023

web ost west 2020 kalender 2020 is easily reached in our digital library an online right of entry to it is set as public hence you can download it instantly our digital

*berlin ost west 2020 kalender 2020 download only* - Sep 27 2022

web 2020 yılı içinde almanya ve diğer bütün ülkeler bölgeler için okul tatilleri resmi tatiller toplum banka tatilleri ve ay fazları tatil takvimi resmi tatiller ve okul tatilleri baden

**berlin ost west 2020 kalender 2020 copy uniport edu** - Dec 19 2021

*eigentlich war ich gern wie sie ihre talente zum pdf* - Mar 21 2022

web 4 eigentlich war ich gern wie sie ihre talente zum 2022 08 21 so ganz anders scheinen was sie über generationen hinweg im inneren bewegt ist dasselbe familie freunde liebe und schließlich findet betsy auch zu ihrer mutter über das bridge spielen einen völlig neuen zugang vom walddkindergarten zur freiheit bod books on

**amazon de kundenrezensionen eigentlich wär ich gern wie sie ihre** - Jun 04 2023

web finde hilfreiche kundenrezensionen und rezensionsbewertungen für eigentlich wär ich gern wie sie ihre talente zum traumjob machen auf amazon de lese ehrliche und unvoreingenommene rezensionen von unseren nutzern

**eigentlich war ich gern wie sie ihre talente zum 2022** - Jul 05 2023

web eigentlich war ich gern wie sie ihre talente zum downloaded from programma syriza gr by guest christine wilson die abendschule bod books on demand reproduction of the original carl scharnhorst abenteuer eines deutschen knaben in amerika by armand beautiful atlanta short stories in german for intermediate learners

**eigentlich wär ich gern wie sie ihre talente zum traumjob** - Apr 02 2023

web eigentlich wär ich gern wie sie ihre talente zum traumjob machen 9 august 2010 isbn kostenloser versand für alle bücher mit versand und verkauf durch amazon

**eigentlich war ich gern wie sie ihre talente zum 2022 origin** - Oct 28 2022

web eigentlich war ich gern wie sie ihre talente zum die drei söhne deutsche blätter für poesie litteratur kunst und theater herausgegeben von karl schall karl v holtei und friedrich barth jahrg 1 the sociolinguistics of narrative seine englische frau eigentlich wär ich gern abstract painting of america and europe der bridge club

**ich habe dich gern in türkisch Übersetzung glosbe** - Sep 26 2022

web phrase dbnary wiktionary as linguistic linked open data ausdrücke ähnlich wie ich habe dich gern mit Übersetzungen in türkisch ich habe sie gern seni seviyorum ich habe euch gern seni seviyorum ich habe euch gern seni seviyorum beispiel hinzufügen Übersetzungen von ich habe dich gern nach türkisch im kontext translation memory

**eigentlich wär ich gern wie sie ihre talente zum traumjob** - Sep 07 2023

web aug 9 2010 morgens beschwingt zur arbeit gehen sich abends auf den nächsten tag freuen das geht spüren sie mit beate westphal ihre persönlichen talente auf und entdecken sie welcher job sie

**eigentlich wär ich gern wie sie ihre talente zum traumjob** - May 03 2023

web entdecken sie eigentlich wär ich gern wie sie ihre talente zum traumjob machen jacoby a in der großen auswahl bei ebay kostenlose lieferung für viele artikel

talent türkisch Übersetzung deutsch beispiele reverso context - Jan 31 2023

web Übersetzung für talent im türkisch nach ein paar jahren ihr talent offensichtlich wurde birkaç yıl sonra onun yetenek belli oldu ein talent kann dir leicht dabei helfen sich in ihren augen von allen abzuheben bir yetenek kolayca gözlerinizden herkesten uzak durmanıza yardımcı olabilir wenn sie das talent und die fähigkeit

*das werde ich gerne tun englisch Übersetzung linguee* - Jun 23 2022

web viele übersetzte beispielsätze mit das werde ich gerne tun englisch deutsch wörterbuch und suchmaschine für millionen von englisch Übersetzungen

*eigentlich war ich gern wie sie ihre talente zum* - Apr 21 2022

web eigentlich war ich gern wie sie ihre talente zum if you ally craving such a referred eigentlich war ich gern wie sie ihre talente zum book that will present you worth get the unquestionably best seller from us currently from several preferred authors if you desire to funny books lots of novels tale jokes and more fictions collections are as a

eigentlich wär ich gern wie sie ihre talente zum traumjob - Aug 06 2023

web eigentlich wär ich gern wie sie ihre talente zum traumjob machen on amazon com au free shipping on eligible orders wie sie ihre talente zum traumjob machen

*eigentlich war ich gern wie sie ihre talente zum full pdf* - Feb 17 2022

web eigentlich war ich gern wie sie ihre talente zum downloaded from ai classmonitor com by guest buck brooklynn die drei söhne xlibris corporation this book aims to appraise sociolinguistic work devoted to the form and function of storytelling and to examine in detail the ways in which narrative constitutes a fundamental discursive

Übersetzung für ich möchte gerne im türkisch reverso context - Dec 30 2022

web Übersetzung im kontext von ich möchte gerne in deutsch türkisch von reverso context möchte ich gerne ich möchte ihnen gerne ich möchte dir gerne

was willst du werden traumberufe dw deutsch lernen - Aug 26 2022

web ich will köchin werden neue wörter etwas werden bedeutet hier einen beruf zu lernen oder mit einem beruf zu beginnen wähle die richtige aussage er will friseur werden er will kfz mechatroniker werden er will architekt werden wähle die richtige aussage du willst informatiker werden du willst anwalt werden

eigentlich war ich gern wie sie ihre talente zum full pdf - Nov 28 2022

web eigentlich war ich gern wie sie ihre talente zum der kunstwart 1889 sämtliche romane friedrich spielhagen 1903 deutsche roman zeitung 1864 gesammelte werke friedrich spielhagen 1867 röschen vom hofe friedrich spielhagen 1881 victoria 1872 die frauenwelt 1872 erzählungen eines vampirs c s rinke 2014 11 10 vampir dario von

**eigentlich war ich gern wie sie ihre talente zum pdf** - Mar 01 2023

web eigentlich war ich gern wie sie ihre talente zum des gottseligen thomas von kempen vier bücher von der nachfolge christi uebersetzt von j p silbert mit einer vorrede von f l z werner jul 20 2020 gesammelte schriften mar 08 2022 der lutheraner oct 23 2020 gartenflora sep 14 2022 ein leben für die wissenschaft oct 03 2021

**eigentlich wär ich gern wie sie ihre talente zum traumjob** - May 23 2022

web sep 22 2023 wär ich gern wie sie ihre talente zum die zweite meile ging ich immer gern jw org fr eigentlich wär ich gern wie sie ihre english translation of gern collins german english ich wäre gern künstler gueti geschichte angelo kelly über the masked singer zum ersten mal in eigentlich wär ich gern wie sie ihre talente zum wie lange

**eigentlich war ich gern wie sie ihre talente zum gustav** - Jul 25 2022

web as this eigentlich war ich gern wie sie ihre talente zum it ends going on brute one of the favored books eigentlich war ich gern wie sie ihre talente zum collections that we have this is why you remain in the best website to see the unbelievable ebook to have deutsche roman zeitung otto janke 1864 morgenblatt für gebildete stände 1814

**eigentlich wär ich gern wie sie ihre talente zum traumjob** - Oct 08 2023

web spüren sie mit beate westphal ihre persönlichen talente auf und entdecken sie welcher job sie wirklich erfüllt ein buch wie ein gutes gespräch mit der besten freundin persönlich warmherzig und ermutigend berufsberatung