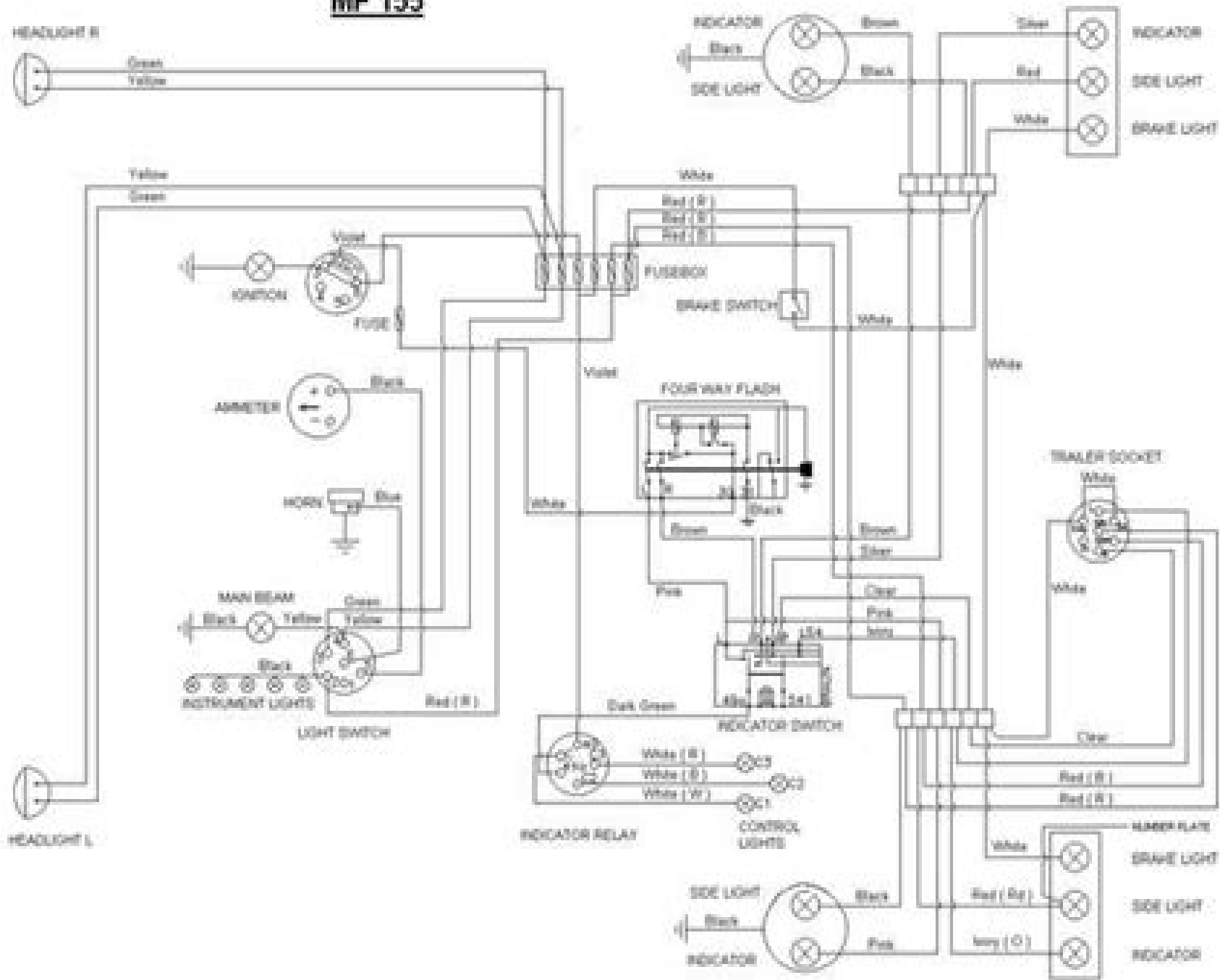


MF 155



Ignition Wiring Mf 231

G Psacharopoulos



Ignition Wiring Mf 231:

Eventually, you will totally discover a new experience and expertise by spending more cash. yet when? accomplish you admit that you require to get those every needs subsequent to having significantly cash? Why dont you attempt to acquire something basic in the beginning? Thats something that will lead you to comprehend even more with reference to the globe, experience, some places, considering history, amusement, and a lot more?

It is your definitely own era to con reviewing habit. in the midst of guides you could enjoy now is **Ignition Wiring Mf 231** below.

<https://staging.conocer.cide.edu/files/detail/Documents/Enfants%20Dictateurs%20Comment%20Ne%20Pas%20Ceder%20A%20Leurs%20Caprices.pdf>

Table of Contents Ignition Wiring Mf 231

1. Understanding the eBook Ignition Wiring Mf 231
 - The Rise of Digital Reading Ignition Wiring Mf 231
 - Advantages of eBooks Over Traditional Books
2. Identifying Ignition Wiring Mf 231
 - Exploring Different Genres
 - Considering Fiction vs. Non-Fiction
 - Determining Your Reading Goals
3. Choosing the Right eBook Platform
 - Popular eBook Platforms
 - Features to Look for in an Ignition Wiring Mf 231
 - User-Friendly Interface
4. Exploring eBook Recommendations from Ignition Wiring Mf 231
 - Personalized Recommendations
 - Ignition Wiring Mf 231 User Reviews and Ratings
 - Ignition Wiring Mf 231 and Bestseller Lists

5. Accessing Ignition Wiring Mf 231 Free and Paid eBooks
 - Ignition Wiring Mf 231 Public Domain eBooks
 - Ignition Wiring Mf 231 eBook Subscription Services
 - Ignition Wiring Mf 231 Budget-Friendly Options
6. Navigating Ignition Wiring Mf 231 eBook Formats
 - ePub, PDF, MOBI, and More
 - Ignition Wiring Mf 231 Compatibility with Devices
 - Ignition Wiring Mf 231 Enhanced eBook Features
7. Enhancing Your Reading Experience
 - Adjustable Fonts and Text Sizes of Ignition Wiring Mf 231
 - Highlighting and Note-Taking Ignition Wiring Mf 231
 - Interactive Elements Ignition Wiring Mf 231
8. Staying Engaged with Ignition Wiring Mf 231
 - Joining Online Reading Communities
 - Participating in Virtual Book Clubs
 - Following Authors and Publishers Ignition Wiring Mf 231
9. Balancing eBooks and Physical Books Ignition Wiring Mf 231
 - Benefits of a Digital Library
 - Creating a Diverse Reading Collection Ignition Wiring Mf 231
10. Overcoming Reading Challenges
 - Dealing with Digital Eye Strain
 - Minimizing Distractions
 - Managing Screen Time
11. Cultivating a Reading Routine Ignition Wiring Mf 231
 - Setting Reading Goals Ignition Wiring Mf 231
 - Carving Out Dedicated Reading Time
12. Sourcing Reliable Information of Ignition Wiring Mf 231
 - Fact-Checking eBook Content of Ignition Wiring Mf 231
 - Distinguishing Credible Sources
13. Promoting Lifelong Learning

- Utilizing eBooks for Skill Development
 - Exploring Educational eBooks
14. Embracing eBook Trends
- Integration of Multimedia Elements
 - Interactive and Gamified eBooks

Ignition Wiring Mf 231 Introduction

Free PDF Books and Manuals for Download: Unlocking Knowledge at Your Fingertips In today's fast-paced digital age, obtaining valuable knowledge has become easier than ever. Thanks to the internet, a vast array of books and manuals are now available for free download in PDF format. Whether you are a student, professional, or simply an avid reader, this treasure trove of downloadable resources offers a wealth of information, conveniently accessible anytime, anywhere. The advent of online libraries and platforms dedicated to sharing knowledge has revolutionized the way we consume information. No longer confined to physical libraries or bookstores, readers can now access an extensive collection of digital books and manuals with just a few clicks. These resources, available in PDF, Microsoft Word, and PowerPoint formats, cater to a wide range of interests, including literature, technology, science, history, and much more. One notable platform where you can explore and download free Ignition Wiring Mf 231 PDF books and manuals is the internet's largest free library. Hosted online, this catalog compiles a vast assortment of documents, making it a veritable goldmine of knowledge. With its easy-to-use website interface and customizable PDF generator, this platform offers a user-friendly experience, allowing individuals to effortlessly navigate and access the information they seek. The availability of free PDF books and manuals on this platform demonstrates its commitment to democratizing education and empowering individuals with the tools needed to succeed in their chosen fields. It allows anyone, regardless of their background or financial limitations, to expand their horizons and gain insights from experts in various disciplines. One of the most significant advantages of downloading PDF books and manuals lies in their portability. Unlike physical copies, digital books can be stored and carried on a single device, such as a tablet or smartphone, saving valuable space and weight. This convenience makes it possible for readers to have their entire library at their fingertips, whether they are commuting, traveling, or simply enjoying a lazy afternoon at home. Additionally, digital files are easily searchable, enabling readers to locate specific information within seconds. With a few keystrokes, users can search for keywords, topics, or phrases, making research and finding relevant information a breeze. This efficiency saves time and effort, streamlining the learning process and allowing individuals to focus on extracting the information they need. Furthermore, the availability of free PDF books and manuals fosters a culture of continuous learning. By removing financial barriers, more people can access educational resources and pursue lifelong learning, contributing to personal

growth and professional development. This democratization of knowledge promotes intellectual curiosity and empowers individuals to become lifelong learners, promoting progress and innovation in various fields. It is worth noting that while accessing free Ignition Wiring Mf 231 PDF books and manuals is convenient and cost-effective, it is vital to respect copyright laws and intellectual property rights. Platforms offering free downloads often operate within legal boundaries, ensuring that the materials they provide are either in the public domain or authorized for distribution. By adhering to copyright laws, users can enjoy the benefits of free access to knowledge while supporting the authors and publishers who make these resources available. In conclusion, the availability of Ignition Wiring Mf 231 free PDF books and manuals for download has revolutionized the way we access and consume knowledge. With just a few clicks, individuals can explore a vast collection of resources across different disciplines, all free of charge. This accessibility empowers individuals to become lifelong learners, contributing to personal growth, professional development, and the advancement of society as a whole. So why not unlock a world of knowledge today? Start exploring the vast sea of free PDF books and manuals waiting to be discovered right at your fingertips.

FAQs About Ignition Wiring Mf 231 Books

What is a Ignition Wiring Mf 231 PDF? A PDF (Portable Document Format) is a file format developed by Adobe that preserves the layout and formatting of a document, regardless of the software, hardware, or operating system used to view or print it. **How do I create a Ignition Wiring Mf 231 PDF?** There are several ways to create a PDF: Use software like Adobe Acrobat, Microsoft Word, or Google Docs, which often have built-in PDF creation tools. Print to PDF: Many applications and operating systems have a "Print to PDF" option that allows you to save a document as a PDF file instead of printing it on paper. Online converters: There are various online tools that can convert different file types to PDF. **How do I edit a Ignition Wiring Mf 231 PDF?** Editing a PDF can be done with software like Adobe Acrobat, which allows direct editing of text, images, and other elements within the PDF. Some free tools, like PDFescape or Smallpdf, also offer basic editing capabilities. **How do I convert a Ignition Wiring Mf 231 PDF to another file format?** There are multiple ways to convert a PDF to another format: Use online converters like Smallpdf, Zamzar, or Adobe Acrobats export feature to convert PDFs to formats like Word, Excel, JPEG, etc. Software like Adobe Acrobat, Microsoft Word, or other PDF editors may have options to export or save PDFs in different formats. **How do I password-protect a Ignition Wiring Mf 231 PDF?** Most PDF editing software allows you to add password protection. In Adobe Acrobat, for instance, you can go to "File" -> "Properties" -> "Security" to set a password to restrict access or editing capabilities. Are there any free alternatives to Adobe Acrobat for working with PDFs? Yes, there are many free alternatives for working with PDFs, such as: LibreOffice: Offers

PDF editing features. PDFsam: Allows splitting, merging, and editing PDFs. Foxit Reader: Provides basic PDF viewing and editing capabilities. How do I compress a PDF file? You can use online tools like Smallpdf, ILovePDF, or desktop software like Adobe Acrobat to compress PDF files without significant quality loss. Compression reduces the file size, making it easier to share and download. Can I fill out forms in a PDF file? Yes, most PDF viewers/editors like Adobe Acrobat, Preview (on Mac), or various online tools allow you to fill out forms in PDF files by selecting text fields and entering information. Are there any restrictions when working with PDFs? Some PDFs might have restrictions set by their creator, such as password protection, editing restrictions, or print restrictions. Breaking these restrictions might require specific software or tools, which may or may not be legal depending on the circumstances and local laws.

Find Ignition Wiring Mf 231 :

enfants dictateurs comment ne pas ceder a leurs caprices

engen guide to adventure travel in southern africa

endless prelude a survey of high events

end of the chapter

endangered species a symposium great bas

end game the betrayal and fall of srebrenica europes worst massacre since the holocaust

enfermedades psicomaticas y flores de bach

engineering economic analysis guidebook

energy management how to increase your positive energies

ending the mother war starting the workplace revolution

energy and the missing resource a view from the laboratory

endurance racing 19821991

engineering and technology degrees 2002 pb 2003

engineering of creativity

ende und anfang

Ignition Wiring Mf 231 :

madhyamik mathematics reference uniport edu ng - Feb 05 2022

madhyamik mathematics reference 1 6 downloaded from uniport edu ng on june 8 2023 by guest madhyamik mathematics

reference getting the books madhyamik mathematics

madhyamik mathematics reference ftp bonide com - Nov 14 2022

education makes a man perfect thanks for subscribe my channel 10 subscriber 07 01 2018 100 subscriber 11 01 2018 10000 subscriber

madhyamik mathematics guide youtube - Oct 13 2022

jan 18 2023 madhyamik mathematics reference can be taken as well as picked to act specialism subhadeep dutta 2018 06 06 academic book specialism on english grammar

wb madhyamik maths question paper 2022 pdf aglasem - May 20 2023

the number of students reached a record 1 million in the 2011 madhyamik examination compulsory subjects are first language second language physical science combined with

madhyamik pariksha wikipedia - Apr 19 2023

jun 2 2023 madhyamik mathematics reference 2 7 downloaded from uniport edu ng on june 2 2023 by guest answer sheet extra value items added in this book utilising 15 minute

madhyamik mathematics reference copy - Aug 11 2022

2 madhyamik mathematics reference 2020 10 16 science for tenth class pt i physics educart 1 chapter wise presentation for systematic and methodical study 2 strictly based on

madhyamik mathematics reference dotnbnm com - Jul 10 2022

jul 2 2023 this madhyamik 2024 math suggestion contains all the important questions in the bengali version here you can download wbbse madhyamik mathematics suggestion 2024

ray martin madhyamik ganeet bichitra mathematics - Jun 21 2023

ray martin madhyamik ganeet bichitra mathematics reference book for class 10 by ray martin from flipkart com only genuine products 30 day replacement guarantee free

vidonko - Sep 24 2023

we would like to show you a description here but the site won t allow us

madhyamik mathematics reference pdf gccca - Aug 23 2023

mar 20 2023 now is madhyamik mathematics reference pdf below transition to triumph g m hiranandani 2000 jkssb sub inspector exam guide 2021 2021 02 14 1 jkssb sub

madhyamik mathematics reference uniport edu ng - Mar 06 2022

may 26 2023 madhyamik mathematics reference 1 8 downloaded from uniport edu ng on may 26 2023 by guest madhyamik mathematics reference right here we have countless

madhyamik mathematics reference ai classmonitor com - Jul 22 2023

2 madhyamik mathematics reference 2023 07 25 in the well known treatise vedic mathematics by sri bharati krishna teertha it also introduces to the modern reader the

madhyamik 2024 mathematics suggestion pdf download - May 08 2022

madhyamik mathematics reference 1 9 downloaded from uniport edu ng on april 4 2023 by guest madhyamik mathematics reference right here we have countless book madhyamik

madhyamik mathematics reference 206 189 230 158 - Sep 12 2022

madhyamik mathematics reference the everything everyday math book jan 05 2022 all the math basics you ll ever need it s not too late to learn practical math skills you may not need

wbse madhyamik mathematics suggestion 2023 - Jan 16 2023

jun 20 2023 madhyamik mathematics reference 2 6 downloaded from uniport edu ng on june 20 2023 by guest at doctoral and post doctoral level are to be addressed the issues

madhyamik mathematics reference uniport edu ng - Jan 04 2022

handbook mathematics arihant experts 2019 07 06 mathematics of higher level has too many theories rules and remembering all of them on tips all the time is not an easy task handbook

madhyamik mathematics reference uniport edu ng - Feb 17 2023

exam date of mathematics madhyamik from the wbse board routine the mathematics exam of madhyamik will be held on march 2 2023 question pattern written test 90 marks

madhyamik mathematics reference rchat technosolutions - Nov 02 2021

madhyamik mathematics reference uniport edu ng - Apr 07 2022

apr 2 2023 madhyamik mathematics reference 2 9 downloaded from uniport edu ng on april 2 2023 by guest master the ncert based on ncert classes xi and xii once again

madhyamik mathematics reference pqr uiaf gov co - Dec 03 2021

4 madhyamik mathematics reference 2019 08 17 school students have found the vedic mathematics approach very exciting those giving competitive exams like mba mca cet

madhyamik mathematics reference uniport edu ng - Mar 18 2023

may 19 2023 madhyamik mathematics reference 2 8 downloaded from uniport edu ng on may 19 2023 by guest and is related to other pre calculus topics such as exponential and

madhyamik mathematics suggestion 2024 pdf download sure - Jun 09 2022

madhyamik 2024 mathematics suggestion pdf download west bengal class 10th madhyamik board exam will start on february 2024 and the mathematics exam will hold on

madhyamik mathematics reference uniport edu ng - Dec 15 2022

madhyamik mathematics reference 3 3 field assistant with total of 50 vacancies in order to attain good ranking and to get recruited in the departments of jkssb one must have thorough

numerical methods for partial differential equations - Sep 22 2023

web both physical and mathematical aspects of numerical methods for partial differential equations pdes in solving pdes numerically the following are essential to consider physical laws governing the differential equations physical understanding stability accuracy analysis of numerical methods mathematical understanding

numerical approximation of model partial differential equations - May 18 2023

web nov 7 2023 we generally define a partial differential equation pde as a relation between a function of several variables and its partial derivatives in this section we consider the simplest case of ordinary differential equations ode with a solution depending on a single independent variable time variable here

numerical approximation of partial differential equations - Oct 23 2023

web besides model equations we consider a number of initial boundary value problems of interest in several fields of applications part i is devoted to the description and analysis of general numerical methods for the discretization of partial differential equations

2201 09989 numerical approximation of partial differential - Jul 20 2023

web jan 24 2022 numerical approximation of partial differential equations by a variable projection method with artificial neural networks suchuan dong jielin yang we present a method for solving linear and nonlinear pdes based on the variable projection varpro framework and artificial neural networks ann

pdf numerical approximation of partial differential equations - Dec 13 2022

web jan 1 1994 abstract this book deals with the numerical approximation of partial differential equations its scope is to provide a thorough illustration of numerical methods carry out their stability and

numerical approximation of partial differential equations by a - Nov 12 2022

web aug 1 2022 numerical approximation of partial differential equations by a variable projection method with artificial neural networks sciencedirect abstract introduction section snippets references 77 cited by 7 recommended articles 6 computer methods in applied mechanics and engineering volume 398 1 august 2022 115284

partial derivatives approximation mathematics stack exchange - Jun 07 2022

web jun 21 2016 partial derivatives approximation ask question asked 7 years 4 months ago modified 3 months ago viewed

3k times 1 by definition we know the following $f(x, y) = f(x + \delta x, y) + f(x, y + \delta y) - f(x, y + \delta y) - f(x + \delta x, y) + f(x, y)$

numerical approximation of partial differential equations pdf - Aug 09 2022

web numerical approximation of partial differential equations pdf 28bdkjnditg this book deals with the numerical approximation of partial differential equations its scope is to provide a thorough i

numerical methods for partial differential equations - Jun 19 2023

web numerical methods for partial differential equations is an international journal that publishes the highest quality research in the rigorous analysis of novel techniques for the numerical solution of partial differential equations pdes the journal is intended to be accessible to a broad spectrum of researchers into numerical approximation of pdes

meta auto decoder for solving parametric partial differential - Apr 05 2022

web many important problems in science and engineering require solving the so called parametric partial differential equations pdes i e pdes with different physical parameters boundary conditions shapes of computation domains etc recently building learning based numerical solvers for parametric pdes has become an emerging new field

numerical approximation of partial differential equations - Mar 04 2022

web jun 3 2016 in this paper we consider a numerical method for the multi term caputo fabrizio time fractional diffusion equations with orders α_i in $0 < \alpha_i < 1$ $2 \leq i \leq n$ the proposed method employs a expand highly influenced pdf 4 excerpts damage identification in plate structures based on the topological derivative method

numerical approximation of partial differential equations - Oct 11 2022

web home maa publications maa reviews numerical approximation of partial differential equations numerical approximation of partial differential equations sören bartels publisher springer publication date 2016 number of pages 535 format hardcover series texts in applied mathematics 64

numerical approximation of partial differential equations - Aug 21 2023

web the first part of the book discusses elementary properties of linear partial differential equations along with their basic numerical approximation the functional analytical framework for rigorously establishing existence of solutions and the construction and analysis of basic finite element methods

numerical approximation of partial differential equations guide - Feb 15 2023

web oct 1 2008 this book deals with the numerical approximation of partial differential equations its scope is to provide a thorough illustration of numerical methods carry out their stability and convergence analysis derive error bounds and discuss the algorithmic aspects relative to their implementation

partial differential equations modeling analysis and numerical - Jan 14 2023

web after presenting modeling aspects it develops the theoretical analysis of partial differential equation problems for the three main classes of partial differential equations elliptic parabolic and hyperbolic several numerical approximation methods adapted to each of these examples are analyzed finite difference finite element and finite

numerical approximation of partial differential equations by a - Mar 16 2023

web aug 1 2022 abstract we present a method for solving linear and nonlinear partial differential equations pde based on the variable projection framework and artificial neural networks

numerical solution of partial differential equations - Jul 08 2022

web jul 17 2023 section 18 1 covers an overview of second order partial differential equation via classification initial and boundary conditions section 18 2 discusses the finite difference method in which we provide the discretization of the domain and finite difference approximation of heat equation and some primary definitions consistency

numerical approximation of model partial differential equations - May 06 2022

web nov 7 2023 abstract we generally define a partial differential equation pde as a relation between a function of several variables and its partial derivatives in this section we consider the simplest

numerical approximations for partial differential equations - Sep 10 2022

web mathematical models for continuum dynamic phenomena involve one or more partial differential equations constructing numerical approximation for these equations that can be used to obtain approximate solutions using computers requires some care

2211 16612 numerical approximation of partial differential - Apr 17 2023

web nov 29 2022 numerical approximation of partial differential equations with mfem library felipe cruz we revise the finite element formulation for lagrange raviart thomas and taylor hood finite element spaces

toyota land cruiser bj60 repair manual 2022 zapmap nissan co - Jan 27 2022

web factory engine repair manual for the iconic 2f petrol gasoline engine as fitted to the toyota 40 55 and 60 series four wheel drive vehicles this repair manual has been prepared to provide

land cruiser toyota owner manuals sor - Feb 25 2022

web land cruiser toyota oem factory owners manual this is the manual that came in the glovebox of your new fj40 fj45 fj55 fj60 fj80 fzf80 uzj100 bj40 bj43 hj45 bj60 hj60 hzj80

toyota landcruiser fj62 fj70 fj73 fj75 bj hj60 hj75 - Nov 05 2022

web toyota land cruiser chassis and body genuine manual heavy duty covers fj62 fj70 fj73 fj75 bj60 bj70 bj73 bj75 hj60 hj75 toyota landcruiser fj62 fj70 fj73 fj75 bj hj60 hj75 chassis body genuine repair manual used landcruiser workshop repair manual

[all us landcruiser lx service manuals 1960 2018 all years all](#) - Sep 15 2023

web jan 13 2022 toyota fj80 land cruiser reference materials repair manuals 1991 rm180u 1992 rm258u 1993 rm301u 1994 rm360u 1995 rm432u 1996 rm451u 1997 rm510u 1995 2002 a340 automatic transmission manual rm479u 1996 2004 obd ii oth021u collision repair manuals 1991 1997 br050 electrical

toyota land cruiser heavy duty chassis body workshop repair manual - Aug 02 2022

web toyota land cruiser heavy duty repair manual for chassis bodytoyota land cruiser heavy duty repair manual for chassis bodyfj6 7 bj6 7 series october 1984 hj6 7 seriestoyota land cruiser heavy duty repair manual for chassis body fj76 7 bj6 7 hj6 7 series oct 1984toyota 2h 12h t enginesdiesel mounted

toyota landcruiser fj40 fj43 fj45 fj60 bj40 bj42 bj43 bj45 bj46 bj60 - Jan 07 2023

web feb 18 2012 toyota landcruiser fj40 fj43 fj45 fj60 bj40 bj42 bj43 bj45 bj46 bj60 hj47 hj60 transmission repair manual this is the complete official factory service workshop repair manual from

faq online repair manual sources ih8mud forum - Sep 03 2022

web apr 28 2020 this link contains many manuals for various vehicles including landcruiser the manuals for the landcruiser are under toyota workshop and repair manuals the site can get busy due to the traffic if you cant get through try again later master portal forums bauchan org

toyota land cruiser 60 workshop manual car manuals direct - Jul 13 2023

web toyota land cruiser 60 series comprehensive workshop manual pdf download comprehensive fully bookmarked easy to understand the information in this toyota land cruiser 60 series workshop repair manual is for the following toyota models fj62 70 73 75 series bj60 70 73 75 series hj60 75 series

[1980 toyota land cruiser fj bj hj series repair manual](#) - May 11 2023

web this repair manual has been prepared to provide information covering general service repairs for the chassis and body of the toyota land cruiser applicable models fj40 fj43 fj45 fj60 series

toyota land cruiser hj60 hj61 hj67 series eng issue - Oct 04 2022

web apr 20 2013 toyota land cruiser hj60 hj61 hj67 series engine 2h 12h t workshop repair manual this is the complete official workshop service and repair manual for the toyota land

toyota land cruiser 1981 1984 bj40 bj42 bj43 repair manual - May 31 2022

web manual bj45 bj46 bj60 factory service repair workshop manual these are the genuine factory manuals b diesel engine and chassis body they will guide you through repairs maintenance to your vehicle general info service engine transmission suspension steering brakes body air conditioner electrical wi

landcruiser repair manual - Jul 01 2022

web toyota land cruiser chassis and body genuine manual heavy duty covers fj62 fj70 fj73 fj75 bj60 bj70 bj73 bj75 hj60 hj75
[toyota land cruiser repair manual pdf download manualslib](#) - Aug 14 2023

web view and download toyota land cruiser repair manual online toyota land cruiser land cruiser automobile pdf manual
download also for land cruiser fj80 series land cruiser hzj80 series land cruiser hdj80 series

toyota land cruiser fj62 fj70 fj73 fj75 bj hj60 repair manual - Jun 12 2023

web toyota land cruiser this repair manual has been prepared to provide information covering general service repairs for the
chassis and body of the toyota land cruiser heavy duty applicable models fj 62 70 73 75 series bj

toyota land cruiser bj60 repair manual home rightster com - Apr 29 2022

web january 14th 1999 toyota land cruiser fj60 62 80 amp fzj80 80 96 haynes repair manuals haynes on amazon com free
shipping on qualifying offers inside this manual you will find routine maintenance tune up

toyota landcruiser fj40 fj43 fj45 fj60 bj40 bj42 bj43 bj45 bj46 bj60 - Mar 09 2023

web maintenance engine mechanical emission control sfi cooling lubrication ignition automatic transmission propeller shaft
suspension axle brake supplemental restraint system srs electrical wiring diagram pdf collision repair manual and more
language english file pdf pages 851

[land cruiser factory service manuals fsms](#) - Apr 10 2023

web factory service manuals fsms for the toyota land cruiser toyota bj jeep 1952 bj service manual credit onur azeri 1952 bj
radio supplement credit onur azeri 1998 100 series land cruiser repair manuals body and electrical 2002 2004 world market
new features manual 1998 100series active vacation parts catalog credit

[toyota land cruiser free workshop and repair manuals](#) - Mar 29 2022

web toyota land cruiser workshop repair and owners manuals for all years and models free pdf download for thousands of
cars and trucks

workshop manual hj60 hj61 bj75 etc cruiserworld - Dec 06 2022

web bekijk ons complete aanbod aan onderdelen en onze toyota land cruiser 60 series learn more onderdelen parts pièces we
verzenden wereldwijd workshop manual bj40 hj45 lj70 bj70 bj75 may 6 2019 workshop manual lj70 lj73 bj70 bj73 bj75 etc
for all diesel land cruisers from 1972 1990 bj40 bj42 bj45 hj45 hj60

[toyota land cruiser 1984 2007 workshop repair manual](#) - Feb 08 2023

web toyota land cruiser workshop repair manual download pdf the same toyota land cruiser manual used by all toyota main
dealer garages worldwide years covered 1984 to 2007 languages english compatibility compatible with all operating systems
and devices download today