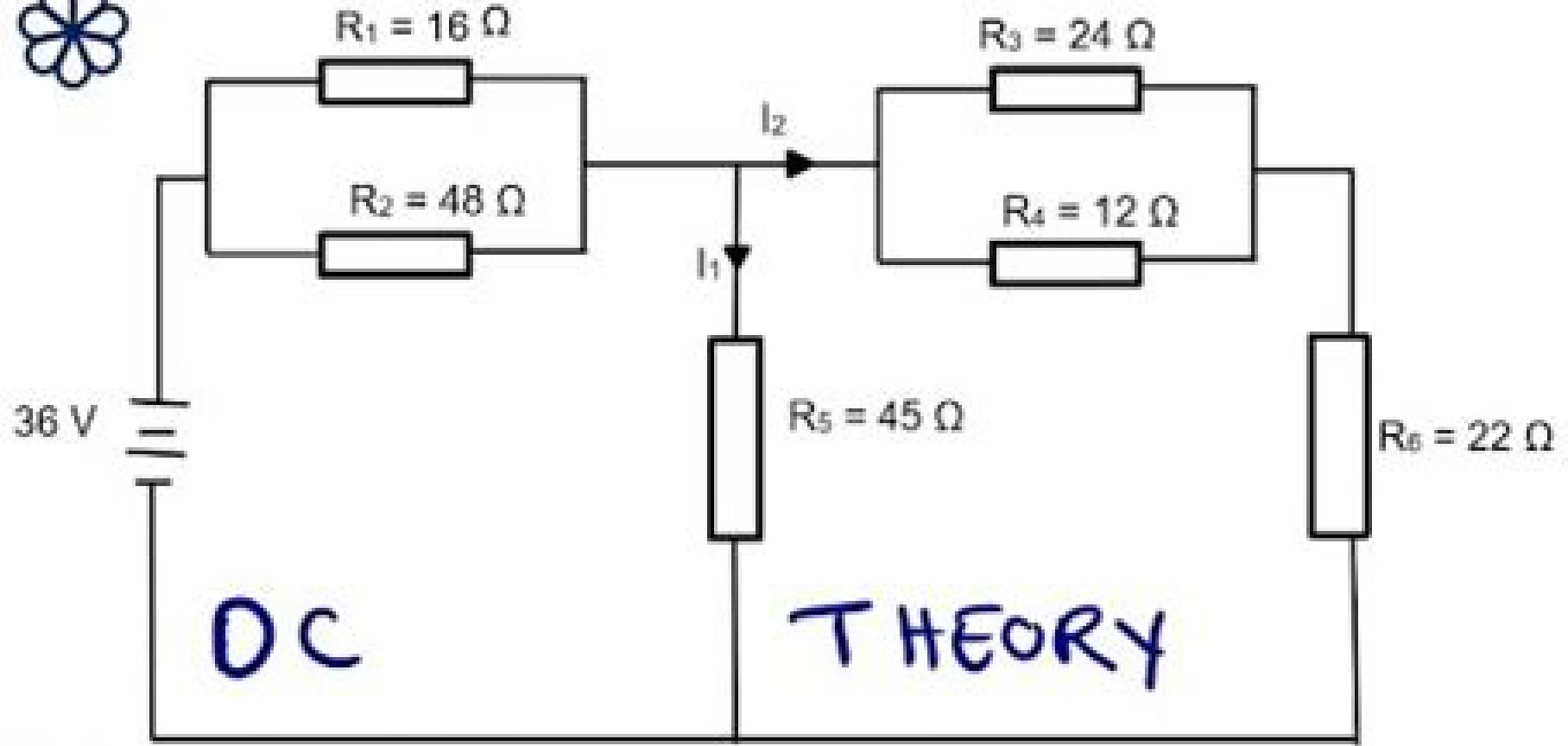


INDUSTRIAL ELECTRONICS N2

QUESTION 1

JUNE 2022



Referring to the circuit above, determine the following:

N2 Direct Theory Questions

Karin Nielsen-Saines



N2 Direct Theory Questions:

Recognizing the showing off ways to acquire this books **N2 Direct Theory Questions** is additionally useful. You have remained in right site to start getting this info. get the N2 Direct Theory Questions connect that we meet the expense of here and check out the link.

You could purchase guide N2 Direct Theory Questions or get it as soon as feasible. You could speedily download this N2 Direct Theory Questions after getting deal. So, taking into account you require the ebook swiftly, you can straight acquire it. Its appropriately very simple and correspondingly fats, isnt it? You have to favor to in this sky

https://staging.conocer.cide.edu/files/publication/Documents/manual_murray_lawn_mowers_owners_manual.pdf

Table of Contents N2 Direct Theory Questions

1. Understanding the eBook N2 Direct Theory Questions
 - The Rise of Digital Reading N2 Direct Theory Questions
 - Advantages of eBooks Over Traditional Books
2. Identifying N2 Direct Theory Questions
 - Exploring Different Genres
 - Considering Fiction vs. Non-Fiction
 - Determining Your Reading Goals
3. Choosing the Right eBook Platform
 - Popular eBook Platforms
 - Features to Look for in an N2 Direct Theory Questions
 - User-Friendly Interface
4. Exploring eBook Recommendations from N2 Direct Theory Questions
 - Personalized Recommendations
 - N2 Direct Theory Questions User Reviews and Ratings
 - N2 Direct Theory Questions and Bestseller Lists
5. Accessing N2 Direct Theory Questions Free and Paid eBooks

- N2 Direct Theory Questions Public Domain eBooks
 - N2 Direct Theory Questions eBook Subscription Services
 - N2 Direct Theory Questions Budget-Friendly Options
6. Navigating N2 Direct Theory Questions eBook Formats
- ePub, PDF, MOBI, and More
 - N2 Direct Theory Questions Compatibility with Devices
 - N2 Direct Theory Questions Enhanced eBook Features
7. Enhancing Your Reading Experience
- Adjustable Fonts and Text Sizes of N2 Direct Theory Questions
 - Highlighting and Note-Taking N2 Direct Theory Questions
 - Interactive Elements N2 Direct Theory Questions
8. Staying Engaged with N2 Direct Theory Questions
- Joining Online Reading Communities
 - Participating in Virtual Book Clubs
 - Following Authors and Publishers N2 Direct Theory Questions
9. Balancing eBooks and Physical Books N2 Direct Theory Questions
- Benefits of a Digital Library
 - Creating a Diverse Reading Collection N2 Direct Theory Questions
10. Overcoming Reading Challenges
- Dealing with Digital Eye Strain
 - Minimizing Distractions
 - Managing Screen Time
11. Cultivating a Reading Routine N2 Direct Theory Questions
- Setting Reading Goals N2 Direct Theory Questions
 - Carving Out Dedicated Reading Time
12. Sourcing Reliable Information of N2 Direct Theory Questions
- Fact-Checking eBook Content of N2 Direct Theory Questions
 - Distinguishing Credible Sources
13. Promoting Lifelong Learning
- Utilizing eBooks for Skill Development

- Exploring Educational eBooks
14. Embracing eBook Trends
- Integration of Multimedia Elements
 - Interactive and Gamified eBooks

N2 Direct Theory Questions Introduction

N2 Direct Theory Questions Offers over 60,000 free eBooks, including many classics that are in the public domain. Open Library: Provides access to over 1 million free eBooks, including classic literature and contemporary works. N2 Direct Theory Questions Offers a vast collection of books, some of which are available for free as PDF downloads, particularly older books in the public domain. N2 Direct Theory Questions : This website hosts a vast collection of scientific articles, books, and textbooks. While it operates in a legal gray area due to copyright issues, its a popular resource for finding various publications. Internet Archive for N2 Direct Theory Questions : Has an extensive collection of digital content, including books, articles, videos, and more. It has a massive library of free downloadable books. Free-eBooks N2 Direct Theory Questions Offers a diverse range of free eBooks across various genres. N2 Direct Theory Questions Focuses mainly on educational books, textbooks, and business books. It offers free PDF downloads for educational purposes. N2 Direct Theory Questions Provides a large selection of free eBooks in different genres, which are available for download in various formats, including PDF. Finding specific N2 Direct Theory Questions, especially related to N2 Direct Theory Questions, might be challenging as theyre often artistic creations rather than practical blueprints. However, you can explore the following steps to search for or create your own Online Searches: Look for websites, forums, or blogs dedicated to N2 Direct Theory Questions, Sometimes enthusiasts share their designs or concepts in PDF format. Books and Magazines Some N2 Direct Theory Questions books or magazines might include. Look for these in online stores or libraries. Remember that while N2 Direct Theory Questions, sharing copyrighted material without permission is not legal. Always ensure youre either creating your own or obtaining them from legitimate sources that allow sharing and downloading. Library Check if your local library offers eBook lending services. Many libraries have digital catalogs where you can borrow N2 Direct Theory Questions eBooks for free, including popular titles. Online Retailers: Websites like Amazon, Google Books, or Apple Books often sell eBooks. Sometimes, authors or publishers offer promotions or free periods for certain books. Authors Website Occasionally, authors provide excerpts or short stories for free on their websites. While this might not be the N2 Direct Theory Questions full book , it can give you a taste of the authors writing style. Subscription Services Platforms like Kindle Unlimited or Scribd offer subscription-based access to a wide range of N2 Direct Theory Questions eBooks, including some popular titles.

FAQs About N2 Direct Theory Questions Books

1. Where can I buy N2 Direct Theory Questions books? Bookstores: Physical bookstores like Barnes & Noble, Waterstones, and independent local stores. Online Retailers: Amazon, Book Depository, and various online bookstores offer a wide range of books in physical and digital formats.
2. What are the different book formats available? Hardcover: Sturdy and durable, usually more expensive. Paperback: Cheaper, lighter, and more portable than hardcovers. E-books: Digital books available for e-readers like Kindle or software like Apple Books, Kindle, and Google Play Books.
3. How do I choose a N2 Direct Theory Questions book to read? Genres: Consider the genre you enjoy (fiction, non-fiction, mystery, sci-fi, etc.). Recommendations: Ask friends, join book clubs, or explore online reviews and recommendations. Author: If you like a particular author, you might enjoy more of their work.
4. How do I take care of N2 Direct Theory Questions books? Storage: Keep them away from direct sunlight and in a dry environment. Handling: Avoid folding pages, use bookmarks, and handle them with clean hands. Cleaning: Gently dust the covers and pages occasionally.
5. Can I borrow books without buying them? Public Libraries: Local libraries offer a wide range of books for borrowing. Book Swaps: Community book exchanges or online platforms where people exchange books.
6. How can I track my reading progress or manage my book collection? Book Tracking Apps: Goodreads, LibraryThing, and Book Catalogue are popular apps for tracking your reading progress and managing book collections. Spreadsheets: You can create your own spreadsheet to track books read, ratings, and other details.
7. What are N2 Direct Theory Questions audiobooks, and where can I find them? Audiobooks: Audio recordings of books, perfect for listening while commuting or multitasking. Platforms: Audible, LibriVox, and Google Play Books offer a wide selection of audiobooks.
8. How do I support authors or the book industry? Buy Books: Purchase books from authors or independent bookstores. Reviews: Leave reviews on platforms like Goodreads or Amazon. Promotion: Share your favorite books on social media or recommend them to friends.
9. Are there book clubs or reading communities I can join? Local Clubs: Check for local book clubs in libraries or community centers. Online Communities: Platforms like Goodreads have virtual book clubs and discussion groups.
10. Can I read N2 Direct Theory Questions books for free? Public Domain Books: Many classic books are available for free as they're in the public domain. Free E-books: Some websites offer free e-books legally, like Project Gutenberg or Open Library.

Find N2 Direct Theory Questions :

manual murray lawn mowers owners manual

manual isuzu dmax 2008

manual isuzu fsr 32 engine 6he1

manual mercedes benz c250 2012

manual kia cerato pg 38

manual mandrel benders

~~manual new holland 1118~~

manual motor control switch

manual locking hubs for 2000 for f350

manual jetta 2004

manual nikon d800

manual motor kubota v2015

~~manual matricola 80 air compressor~~

manual mercury 75 hp outboard 4 stroke

~~manual itunes para iphone~~

N2 Direct Theory Questions :

Strangers to These Shores: Race and Ethnic Relations in ... Strangers to These Shores: Race and Ethnic Relations in the United States (Book Alone) (8th Edition) [Parrillo, Vincent N.] on Amazon.com. Strangers to These Shores: Race and Ethnic Relations ... Amazon.com: Strangers to These Shores: Race and Ethnic Relations in the United States with Research Navigator (8th Edition): 9780205543236: Parrillo, ... Strangers to These Shores: Race and Ethnic Relations in ... Strangers to These Shores: Race and Ethnic Relations in the United States (Book Alone) (8th Edition). by Parrillo, Vincent N. Used. Condition: Used - Very ... Strangers to These Shores: Race and Ethnic Relations in the ... Strangers to These Shores: Race and Ethnic Relations in the United States (Book Alone) (8th Edition) · by Parrillo, Vincent N · About This Item · Synopsis · Reviews. Race and Ethnic Relations in the United States (Book Alone) (8th ... Title: Strangers to These Shores: Race and Ethnic Relations in the United States (Book Alone) (8th Edition); ISBN10: 0205457630; EAN: 9780205457632; Genre ... Race and Ethnic Relations in the United States Book Alone 8th ... Pre-Owned Strangers to These Shores: Race and Ethnic Relations in the United States Book Alone 8th Edition Hardcover 0205457630 9780205457632 Vincent N. RACE AND

ETHNIC RELATIONS IN By Vincent N. Parrillo ... STRANGERS TO THESE SHORES: RACE AND ETHNIC RELATIONS IN THE UNITED STATES WITH RESEARCH NAVIGATOR (8TH EDITION) By Vincent N. Parrillo - Hardcover **BRAND ... Strangers to These Shores: Race and Ethnic ... Strangers to These Shores: Race and Ethnic Relations in the United States by Vincent M. Parrillo. Source: Contemporary Sociology, . Vol. 11, No. 3 (May, 1982), ... Strangers to these shores : race and ethnic ... Strangers to these shores : race and ethnic relations in the United States ; Author: Vincent N. Parrillo (Author) ; Edition: Twelfth edition View all formats and ... TIP 59: Improving Cultural Competence by ATI PROTOCOL — ... United States than the Mediterranean peoples of Southern Europe (e.g., Italians, Greeks). What Is Cultural Identity? Cultural identity describes an ... Biologi til tiden Biologi til tiden. 2. udgave. Til biologi C skrevet til 2005-reformen. Forfattere: Lone Als Egebo Biologi til tiden Biologi til tiden. Lydbog med tekst. Afspil. MP3, Daisy. Download · Åbn i appen. Spilletid: 10 timer 53 minutter. Bognummer: 630515. Indlæsningsår: 2015. Nota ... Biologi til tiden by Lone Als Egebo Biologi til tiden. Lone Als Egebo. 3.50. 2 ratings1 review ... Download app for Android. © 2023 Goodreads, Inc. Biologi Til Tiden | PDF Download as PDF, TXT or read online from Scribd. Flag for inappropriate content. Download now. SaveSave Biologi Til Tiden (5) For Later. 0 ratings0% found this ... Biologi Til Tiden s.36-40 PDF Biologi_til_tiden_s.36-40.pdf - Free download as PDF File (.pdf) or read online for free. Biologi til tiden | Noter Dette er vores noter til en del af afsnittene i bogen "Biologi til tiden". Klik på indholdsfortegnelse for at komme videre til vores egne noter om ... Biologi Til Tiden [PDF] [6m5ilg61il00] Biology · Biologi Til Tiden [PDF]. Includes. Multiple formats; No login requirement; Instant download; Verified by our users. Biologi Til Tiden [PDF]. Authors: ... Biologi i fokus Biologi i fokus · Download i RIS-format (til fx Mendeley, Zotero, EndNote) · Download til RefWorks · Download til EndNoteWeb. Biologi C noter fra Biologi til tiden - Downloadet fra ... Biologi C Noter downloadet fra opgaver.com indholdsfortegnelse kulstofskredsløbet cellens opgning respiration fotosyntese forholdet mellem fotosyntese og. SOLUTION: Basic concepts in turbomachinery CASE STUDY INSTRUCTIONS Choose two of the four topics as listed below: Decontamination Principles, Sterilization Methods, Preparation of Medical Equipment and ... Basic Concepts in Turbomachinery Solution So at the hub of the wind turbine the blade angle γ must be set to ... This book is about the basic concepts in turbomachinery and if you were to design ... principles of turbomachinery solutions manual KEY CONCEPTS in TURBOMACHINERY · SHIVA PRASAD U. Download Free PDF View PDF. Free PDF. KEY CONCEPTS in TURBOMACHINERY · Fluid Mechanics Thermodynamics of ... Solution manual for Basic Concepts in Turbomachinery ... Solution manual for Basic Concepts in Turbomachinery by Grant Ingram ... Nobody's responded to this post yet. Add your thoughts and get the ... Basic concepts in turbomachinery, Mechanical Engineering Mechanical Engineering Assignment Help, Basic concepts in turbomachinery, Solution manual. [PDF] Basic Concepts in Turbomachinery By Grant Ingram ... Basic Concepts in Turbomachinery book is about the fundamentals of turbomachinery, the basic operation of pumps, aircraft engines, wind turbines, ... Principles OF Turbomachinery Solutions M PRINCIPLES OF TURBOMACHINERY. SOLUTIONS MANUAL. by.

Seppo A. Korpela. Department of Mechanical and Aerospace Engineering. January 2012. Chapter 14 TURBOMACHINERY Solutions Manual for. Fluid Mechanics: Fundamentals and Applications. Third Edition. Yunus A. Çengel & John M. Cimbala. McGraw-Hill, 2013. Chapter 14. Basic-Concepts-in-Turbomachinery.pdf - Grant Ingram View Basic-Concepts-in-Turbomachinery.pdf from MECHANICAL 550 at Copperbelt University. Basic Concepts in Turbomachinery Grant Ingram Download free books at ... Basic concepts in Turbomachinery ... Basic Concepts in Turbomachinery Simple Analysis of Wind Turbines revolution per second. ... Solution The work input is the specific work input so and since the ...