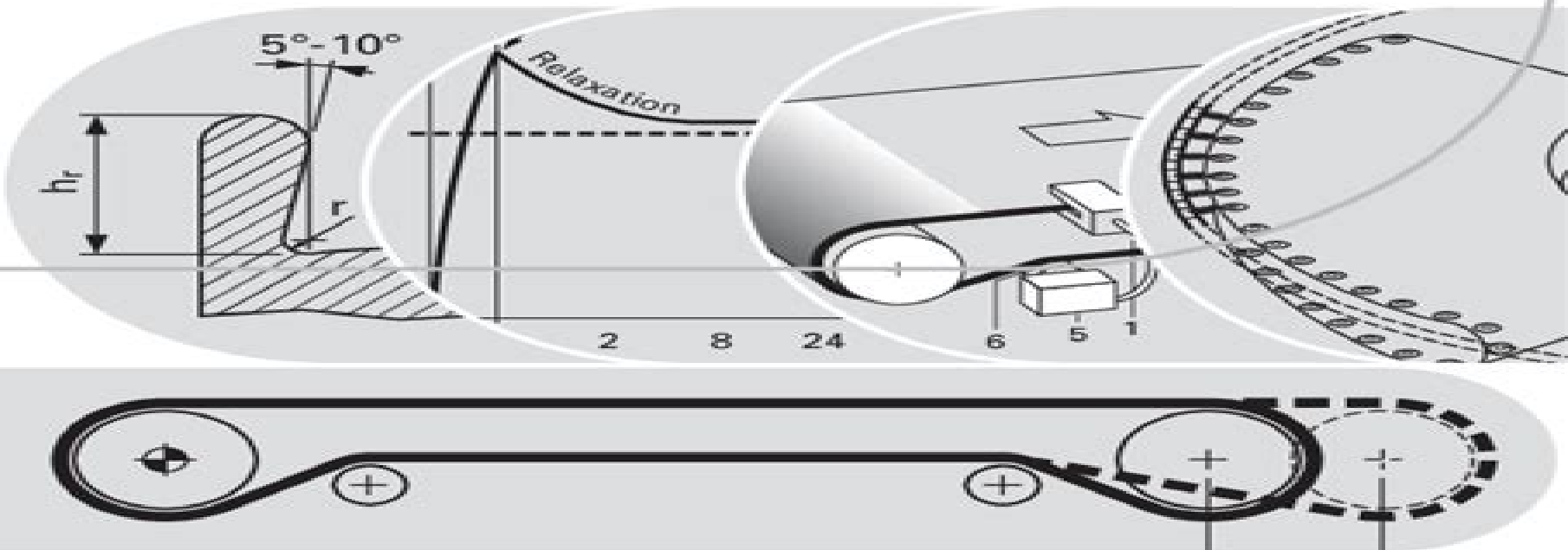


Fabric Conveyor Belts Engineering Guide

Habasit – Solutions in motion



Fabric Conveyor Belts Engineering Guide

O García



Fabric Conveyor Belts Engineering Guide:

Albright's Chemical Engineering Handbook Lyle Albright, 2008-11-20 From fundamentals to plant operations Albright's Chemical Engineering Handbook offers a thorough yet succinct guide to day to day methods and calculations used in chemical engineering applications Leaders from an exceptional diversity of specialties provide a clear review of basic information case examples and references to additional information They discuss essential principles calculations and key issues such as reaction engineering process control and design waste disposal and electrochemical and biochemical engineering The final chapters cover aspects of patents intellectual property communications and ethics that are most relevant to engineers

Material Handling Engineering ,1967 *Engineering* ,1882 **Fossil Energy Update** ,1986

GATE Question Bank Mining Engineering , GATE Question Bank Mining Engineering **Western Industry and Western Industrial Guide** ,1959 Chemical Engineering Catalog ,1916 **Chemical Engineering** J. W. Hinchley, 1914

Pit & Quarry Handbook and Purchasing Guide for the Nonmetallic Minerals Industries ,1971 **Construction Methods and Equipment** ,1952

Unveiling the Magic of Words: A Review of "**Fabric Conveyor Belts Engineering Guide**"

In a global defined by information and interconnectivity, the enchanting power of words has acquired unparalleled significance. Their power to kindle emotions, provoke contemplation, and ignite transformative change is truly awe-inspiring. Enter the realm of "**Fabric Conveyor Belts Engineering Guide**," a mesmerizing literary masterpiece penned by way of a distinguished author, guiding readers on a profound journey to unravel the secrets and potential hidden within every word. In this critique, we shall delve in to the book is central themes, examine its distinctive writing style, and assess its profound impact on the souls of its readers.

https://staging.conocer.cide.edu/public/uploaded-files/Download_PDFS/Los%20Angeles%20Hog%20Chapter.pdf

Table of Contents Fabric Conveyor Belts Engineering Guide

1. Understanding the eBook Fabric Conveyor Belts Engineering Guide
 - The Rise of Digital Reading Fabric Conveyor Belts Engineering Guide
 - Advantages of eBooks Over Traditional Books
2. Identifying Fabric Conveyor Belts Engineering Guide
 - Exploring Different Genres
 - Considering Fiction vs. Non-Fiction
 - Determining Your Reading Goals
3. Choosing the Right eBook Platform
 - Popular eBook Platforms
 - Features to Look for in an Fabric Conveyor Belts Engineering Guide
 - User-Friendly Interface
4. Exploring eBook Recommendations from Fabric Conveyor Belts Engineering Guide
 - Personalized Recommendations
 - Fabric Conveyor Belts Engineering Guide User Reviews and Ratings
 - Fabric Conveyor Belts Engineering Guide and Bestseller Lists

5. Accessing Fabric Conveyor Belts Engineering Guide Free and Paid eBooks
 - Fabric Conveyor Belts Engineering Guide Public Domain eBooks
 - Fabric Conveyor Belts Engineering Guide eBook Subscription Services
 - Fabric Conveyor Belts Engineering Guide Budget-Friendly Options
6. Navigating Fabric Conveyor Belts Engineering Guide eBook Formats
 - ePub, PDF, MOBI, and More
 - Fabric Conveyor Belts Engineering Guide Compatibility with Devices
 - Fabric Conveyor Belts Engineering Guide Enhanced eBook Features
7. Enhancing Your Reading Experience
 - Adjustable Fonts and Text Sizes of Fabric Conveyor Belts Engineering Guide
 - Highlighting and Note-Taking Fabric Conveyor Belts Engineering Guide
 - Interactive Elements Fabric Conveyor Belts Engineering Guide
8. Staying Engaged with Fabric Conveyor Belts Engineering Guide
 - Joining Online Reading Communities
 - Participating in Virtual Book Clubs
 - Following Authors and Publishers Fabric Conveyor Belts Engineering Guide
9. Balancing eBooks and Physical Books Fabric Conveyor Belts Engineering Guide
 - Benefits of a Digital Library
 - Creating a Diverse Reading Collection Fabric Conveyor Belts Engineering Guide
10. Overcoming Reading Challenges
 - Dealing with Digital Eye Strain
 - Minimizing Distractions
 - Managing Screen Time
11. Cultivating a Reading Routine Fabric Conveyor Belts Engineering Guide
 - Setting Reading Goals Fabric Conveyor Belts Engineering Guide
 - Carving Out Dedicated Reading Time
12. Sourcing Reliable Information of Fabric Conveyor Belts Engineering Guide
 - Fact-Checking eBook Content of Fabric Conveyor Belts Engineering Guide
 - Distinguishing Credible Sources
13. Promoting Lifelong Learning

- Utilizing eBooks for Skill Development
- Exploring Educational eBooks

14. Embracing eBook Trends

- Integration of Multimedia Elements
- Interactive and Gamified eBooks

Fabric Conveyor Belts Engineering Guide Introduction

Free PDF Books and Manuals for Download: Unlocking Knowledge at Your Fingertips In today's fast-paced digital age, obtaining valuable knowledge has become easier than ever. Thanks to the internet, a vast array of books and manuals are now available for free download in PDF format. Whether you are a student, professional, or simply an avid reader, this treasure trove of downloadable resources offers a wealth of information, conveniently accessible anytime, anywhere. The advent of online libraries and platforms dedicated to sharing knowledge has revolutionized the way we consume information. No longer confined to physical libraries or bookstores, readers can now access an extensive collection of digital books and manuals with just a few clicks. These resources, available in PDF, Microsoft Word, and PowerPoint formats, cater to a wide range of interests, including literature, technology, science, history, and much more. One notable platform where you can explore and download free Fabric Conveyor Belts Engineering Guide PDF books and manuals is the internet's largest free library. Hosted online, this catalog compiles a vast assortment of documents, making it a veritable goldmine of knowledge. With its easy-to-use website interface and customizable PDF generator, this platform offers a user-friendly experience, allowing individuals to effortlessly navigate and access the information they seek. The availability of free PDF books and manuals on this platform demonstrates its commitment to democratizing education and empowering individuals with the tools needed to succeed in their chosen fields. It allows anyone, regardless of their background or financial limitations, to expand their horizons and gain insights from experts in various disciplines. One of the most significant advantages of downloading PDF books and manuals lies in their portability. Unlike physical copies, digital books can be stored and carried on a single device, such as a tablet or smartphone, saving valuable space and weight. This convenience makes it possible for readers to have their entire library at their fingertips, whether they are commuting, traveling, or simply enjoying a lazy afternoon at home. Additionally, digital files are easily searchable, enabling readers to locate specific information within seconds. With a few keystrokes, users can search for keywords, topics, or phrases, making research and finding relevant information a breeze. This efficiency saves time and effort, streamlining the learning process and allowing individuals to focus on extracting the information they need. Furthermore, the availability of free PDF books and manuals fosters a culture of continuous learning. By removing financial barriers, more people can access educational resources and pursue lifelong

learning, contributing to personal growth and professional development. This democratization of knowledge promotes intellectual curiosity and empowers individuals to become lifelong learners, promoting progress and innovation in various fields. It is worth noting that while accessing free Fabric Conveyor Belts Engineering Guide PDF books and manuals is convenient and cost-effective, it is vital to respect copyright laws and intellectual property rights. Platforms offering free downloads often operate within legal boundaries, ensuring that the materials they provide are either in the public domain or authorized for distribution. By adhering to copyright laws, users can enjoy the benefits of free access to knowledge while supporting the authors and publishers who make these resources available. In conclusion, the availability of Fabric Conveyor Belts Engineering Guide free PDF books and manuals for download has revolutionized the way we access and consume knowledge. With just a few clicks, individuals can explore a vast collection of resources across different disciplines, all free of charge. This accessibility empowers individuals to become lifelong learners, contributing to personal growth, professional development, and the advancement of society as a whole. So why not unlock a world of knowledge today? Start exploring the vast sea of free PDF books and manuals waiting to be discovered right at your fingertips.

FAQs About Fabric Conveyor Belts Engineering Guide Books

What is a Fabric Conveyor Belts Engineering Guide PDF? A PDF (Portable Document Format) is a file format developed by Adobe that preserves the layout and formatting of a document, regardless of the software, hardware, or operating system used to view or print it. **How do I create a Fabric Conveyor Belts Engineering Guide PDF?** There are several ways to create a PDF: Use software like Adobe Acrobat, Microsoft Word, or Google Docs, which often have built-in PDF creation tools. Print to PDF: Many applications and operating systems have a "Print to PDF" option that allows you to save a document as a PDF file instead of printing it on paper. Online converters: There are various online tools that can convert different file types to PDF. **How do I edit a Fabric Conveyor Belts Engineering Guide PDF?** Editing a PDF can be done with software like Adobe Acrobat, which allows direct editing of text, images, and other elements within the PDF. Some free tools, like PDFescape or Smallpdf, also offer basic editing capabilities. **How do I convert a Fabric Conveyor Belts Engineering Guide PDF to another file format?** There are multiple ways to convert a PDF to another format: Use online converters like Smallpdf, Zamzar, or Adobe Acrobats export feature to convert PDFs to formats like Word, Excel, JPEG, etc. Software like Adobe Acrobat, Microsoft Word, or other PDF editors may have options to export or save PDFs in different formats. **How do I password-protect a Fabric Conveyor Belts Engineering Guide PDF?** Most PDF editing software allows you to add password protection. In Adobe Acrobat, for instance, you can go to "File" -> "Properties" -> "Security" to set a password to restrict access or editing capabilities. Are there any free alternatives to Adobe Acrobat for working with PDFs? Yes, there are

many free alternatives for working with PDFs, such as: LibreOffice: Offers PDF editing features. PDFsam: Allows splitting, merging, and editing PDFs. Foxit Reader: Provides basic PDF viewing and editing capabilities. How do I compress a PDF file? You can use online tools like Smallpdf, ILovePDF, or desktop software like Adobe Acrobat to compress PDF files without significant quality loss. Compression reduces the file size, making it easier to share and download. Can I fill out forms in a PDF file? Yes, most PDF viewers/editors like Adobe Acrobat, Preview (on Mac), or various online tools allow you to fill out forms in PDF files by selecting text fields and entering information. Are there any restrictions when working with PDFs? Some PDFs might have restrictions set by their creator, such as password protection, editing restrictions, or print restrictions. Breaking these restrictions might require specific software or tools, which may or may not be legal depending on the circumstances and local laws.

Find Fabric Conveyor Belts Engineering Guide :

los angeles hog chapter

lot livre dart

loveability knowing how to love and be loved

low carb easy recipe

lorigine de linstinct et de laction reacuteflexe

lover bestie erotic poetry lesbian erotica romance book 1

low fat cream puff recipe

low carb catfish recipe

lords prayer in hebrew

louisiana ged study guide 2013 printable

looking and listening conversations between modern art and music

lorigine de la trageacutedie

low calories pasta chicken asparagus recipe

lotus elan m100 service manual

love untamed discovering love book english edition

Fabric Conveyor Belts Engineering Guide :

3d modeling for mechanical design using inventor practice autodesk - Aug 11 2022

3d modeling for mechanical design using inventor practice exercise autodesk outline 1 getting started 2 create a new project file 3 create the base frame for the bottle filling station 4 model the reusable bottle and cap module overview create the sketch for the bottle 5 model the bottle holder carousel parts 6

engineering design graphics with autodesk inventor 2020 - Jul 10 2022

this book introduces autodesk inventor 2020 and shows how to use autodesk inventor to create and document drawings and designs the book puts heavy emphasis on engineering drawings and on drawing components used in engineering drawings such as springs bearings cams and gears

autodesk inventor practice part drawings academia edu - Feb 05 2022

inventortrenches.blogspot.com this pdf contains 24 detailed drawings of miscellaneous parts to be used for practice with autodesk inventor or any 3d cad package for that matter some of the parts are a bit more challenging than others

autodesk inventor exercises 200 practice drawings for - Jan 16 2023

apr 28 2019 autodesk inventor exercises 200 practice drawings for autodesk inventor and other feature based modeling software by sachidanand jha goodreads jump to ratings and reviews want to read kindle 6 99 rate this book autodesk inventor exercises 200 practice drawings for autodesk inventor and other feature based modeling software

inventor 2020 practice exercise 1 fixture block grabcad - May 08 2022

23 aug 2019 09 23 am beginner exercises practice modeling with inventor within this tutorial is an image where you would find the exercise blueprint and dimensions step 1 video guide fixture block inventor 2020 practice exercise 1 fixture block watch on step 2 drawing and dimensions was this tutorial useful like details

download pdf autodesk inventor exercises 200 practice drawings - Jul 22 2023

dec 8 2020 autodesk inventor exercises 200 practice drawings for autodesk inventor and other feature based modeling software format file ebook pdf epub mobi pocket audiobook txt doc ppt jpeg chm xml azw pdb kf8 prc tpz link download read online click next page autodesk inventor exercises 200 practice drawings for

autodesk inventor exercises 200 practice drawings for - Dec 15 2022

apr 28 2019 the book contains 200 3d models and practice drawings or exercises each exercise contains images of the final design and exact measurements needed to create the design each exercise can be designed on any cad software which you desire

autodesk inventor exercises 200 practice drawings for autodesk - Oct 13 2022

we have designed 200 cad exercises that will help you to test your cad skills what s included in the autodesk inventor exercises book whether you are a beginner intermediate or an expert these cad exercises will challenge you the book contains 200 3d models and practice drawings or exercises

autodesk inventor practice part drawings studocu - Mar 06 2022

oct 16 2019 part drawings with dimensions for modeling in autodesk inventor this pdf contains 24 detailed drawings of miscellaneous parts to be used for practice with skip to document university high school books ask ai sign in guest useradd your university or school 0impact 0uploads 0upvotes homeask aimy library courses

autodesk inventor exercises 200 practice drawings for - Mar 18 2023

we have designed 200 cad exercises that will help you to test your cad skills what s included in the autodesk inventor exercises book whether you are a beginner intermediate or an expert these cad exercises will challenge you the book contains 200 3d models more buy new learn more about this copy us 15 88 convert currency

autodesk inventor exercises for autodesk inventor and - Nov 14 2022

apr 14 2017 ebook isbn 9781315725802 subjects engineering technology share citation abstract this practical resource provides a series of inventor exercises covering several topics including sketches part models assemblies drawing layouts presentations sheet metal design welding

autodesk inventor exercises pages 1 50 flip pdf download - Sep 24 2023

jun 29 2021 autodesk inventor exercises this practical resource provides a series of inventor exercises covering several topics including sketches part models assemblies drawing layouts presentations sheet metal design welding for users with some familiarity with autodesk inventor or other similar feature based

autodesk inventor exercises 200 practice drawings for autodesk - Apr 19 2023

apr 26 2019 we have designed 200 cad exercises that will help you to test your cad skills what s included in the autodesk inventor exercises book whether you are a beginner intermediate or an expert these cad exercises will challenge you the book contains 200 3d models and practice drawings or exercises

advanced modeling for mechanical design practice exercise autodesk - Apr 07 2022

1 getting started 2 create a new project file 3 create the sheet metal chassis 4 model the handle assembly 5 create the keypad assembly 6 7 course challenge 8 previous unit next unit up next practice exercise practice exercise in this exercise you ll practice how to 2 emboss and engrave a part exercise

autodesk inventor practice part drawings 3d cad model - Jun 21 2023

sep 6 2013 autodesk inventor practice part drawings 3d cad model library grabcad join 9 320 000 engineers with over 4 830 000 free cad files join the community the cad files and renderings posted to this website are created uploaded and managed by third party community members

autodesk inventor exercises 200 practice drawings for autodesk - Feb 17 2023

apr 28 2019 buy autodesk inventor exercises 200 practice drawings for autodesk inventor and other feature based modeling

software by jha sachidanand isbn 9781096152392 from amazon s book store everyday low

autodesk inventor exercises 200 practice drawings for autodesk - May 20 2023

apr 28 2019 the book contains 200 3d models and practice drawings or exercises each exercise contains images of the final design and exact measurements needed to create the design each exercise can

50 cad exercise drawing 3d cad model library grabcad - Sep 12 2022

nov 28 2018 2d 3d practice drawing for all cad software autocad solidworks 3ds max autodesk inventor fusion 360 catia creo parametric solided

autodesk inventor exercises - Aug 23 2023

autodesk inventor exercises do you want to learn how to design 2d and 3d models in your favorite computer aided design cad software such as autodesk inventor fusion 360 or solidworks look no further we have designed 200 cad exercises that will help you to test your cad skills what s included in the autodesk inventor exercises book

autodesk inventor exercises for autodesk inventor and - Jun 09 2022

this practical resource provides a series of inventor exercises covering several topics including sketches part models assemblies drawing layouts presentations sheet metal design welding for users with some familiarity with autodesk inventor or other similar feature based modelling software such as solid works catia pro engineer and

deahair com - Nov 27 2022

web deahair com

kongsberg sdp 21 manual - Aug 25 2022

web sep 25 2012 kongsberg sdp 21 manual mar 10 2022 03 22 michael t 24 may coleen 06 oct collection collection info addeddate 2012 09 25 02 03 13 collection additional collections texts filter top level and primary collection manuals filter top level enable true identifier manuals mediatype collection publicdate 2012 09 25 02 03 13

sony cdp21 service manual service manuals - Feb 16 2022

web our sony cdp21 service manual provides the important servicing information and operating instructions you need to diagnose and repair your malfunctioning or failing unit most of our service manuals will include disassembly instructions schematic diagrams parts lists exploded views troubleshooting wiring diagrams and much much more

sdp 21 dynamic positioning system kongsberg maritime - Sep 06 2023

web data sheet sdp 21 upgrade to latest generation of dp systems k pos sdp 21 dynamic positioning system

sdp 21 k pos kongsberg maritime yumpu - Aug 05 2023

web mar 23 2014 strong sdp strong strong 21 strong k strong pos strong strong sdp strong strong 21 strong upgrade to latest generation of dp systems k strong pos strong the strong sdp strong strong 21 strong k strong pos strong upgrade kit

converts a strong sdp strong

sdp 21 manual pdf full pdf eshraqgroup com - Oct 27 2022

web sdp 21 manual pdf is available in our digital library an online right of entry to it is set as public therefore you can download it instantly our digital library saves in complex countries allowing you to acquire the most less latency epoch to download any of our books gone this one merely said the sdp 21 manual pdf is universally

sdp 21 upgrade to latest generation of dp system scribd - Jan 30 2023

web sdp 21 upgrade to latest generation of dp systems k pos the sdp 21 k pos upgrade kit converts a sdp 21 system that has been previously installed on a vessel to a k pos system upgrading extends the lifetime of the system and brings it up to the latest stateofheart functionality and technology

operator reference manual kongsberg sdp os - May 02 2023

web mar 8 2017 the manual is covering all parts of dps including the joysticks and sensors thrusters and power systems etc apart from the hardware the paper also addresses the position info changing the position heading setpoint user interface various settings monitoring of the system status consequence analysis and other relevant information

dual redundant dynamic positioning system k pos d - Jul 04 2023

web dual redundant dynamic positioning system k pos d the k pos dp 21 22 dynamic positioning dp system consists of a dual dp controller unit and operator stations the controller unit and the operator station communicate via a dual high speed data network key technical information services

8 2821 mdp 8 2821 mdp user manual search engine - Sep 25 2022

web user manual 8 2821 mdp open the pdf directly view pdf page count 131

sdp 21 manual dna viz tpq io - Apr 20 2022

web oct 30 2023 4 sdp 21 manual 2023 05 24 adverse events may occur as a result of errors in preparation ordering or administration of blood and blood products this book contains the latest research in this essential field which has been revolutionised in recent decades project management of large software intensive systems routledge since its launch in

pdf from eureka to k pos dynamic positioning as a - Dec 29 2022

web aug 25 2015 manual thruster control was performed by two operators the naming convention established with the sdp generation continued resulting in k pos dp11 12 etc figure 21 shows the imr

single dynamic positioning system k pos dp kongsberg - Apr 01 2023

web k pos dp 12 dynamic positioning dp system the dp 12 is designed for integration with k chief marine automation system and k thrust thruster control system via a dual ethernet lan integrating all the functions for monitoring and control of a vessel provides a real benefit both technically and economically

sdp 21 manual cdn writermag com - Jun 22 2022

web sdp 21 manual 3 3 motor cycling and motoring oxford university press although blood transfusion saves lives and reduces morbidities in many clinical diseases and conditions it is associated with certain risks a transfusion related adverse event also called transfusion reaction is any unfavourable event occurring in a

sdp 21 manual pdf id startup network - May 22 2022

web sdp 21 manual pdf 1 3 downloaded from id startup network on january 20 2023 by guest sdp 21 manual pdf right here we have countless book sdp 21 manual pdf and collections to check out we additionally give variant types and as a consequence type of the books to browse the enjoyable book fiction history novel scientific

operator reference manual ecdis kongsberg ref 6 2 - Feb 28 2023

web download operator reference manual ecdis kongsberg ref 6 2 pdf for free report operator reference manual ecdis kongsberg ref 6 2 please fill this form we will try to respond as soon as possible

sdp 21 k pos kongsberg - Oct 07 2023

web technical specifications what to do standards applied remove the original computers and monitors from the upgrade is designed to conform to the following the oss standard remove the original operator panels from the oss en 60945 marine navigation and radio install mp7600 computers communication equipment and systems general

kongsberg sdp 21 manual yunqian info - Mar 20 2022

web add the manuals search extension and never lose a manual again information storage and access carpet cleaner manuals acura mdx 2007 service repair manual pdf kongsberg sdp 21 manual buderus gb162 80 installation manual epson stylus pro xl manual abb safering manual e34 service manual pdf pioneer vsx d810s manual

sdp 21 manual jetpack theaoi - Jul 24 2022

web sdp 21 manual lg get product support for the lg gs65sdp1 download gs65sdp1 manuals documents and software view gs65sdp1 warranty information and schedule services yalmip a toolbox for modeling and optimization in matlab this paper does not sene as a manual to yalmip sdp 21 manual if searching for a ebook sdp 21 manual

sdp21 operator manual russian pdf menu computing - Jun 03 2023

web sdp21 operator manual russian free ebook download as pdf file pdf text file txt or read book online for free

traduire j ai bien reçu ta gentille lettre en anglais - Apr 22 2022

web traduire j ai bien reçu ta gentille lettre en anglais en français en anglais j ai bien reçu ta gentille lettre i got your lovely letter toutes les expressions de la même catégorie cours d anglais vocabulaire anglais expressions phrases utiles

ra c digez vos mails en anglais agenciaojs mincyt gob ar - May 24 2022

web this ra c digez vos mails en anglais as one of the most practicing sellers here will enormously be in the middle of the best

options to review mediating the message in the 21st century pamela j shoemaker 2013 10 30 hailed
[comment lire une adresse mail en anglais à haute voix](#) - Apr 03 2023

web email icon voici quelques exemples d adresses mail qui sont purement fictives et ne sont que des exemples sophie dupont orange fr sophie dot dupont at orange dot f r sophiedupont orange fr sans le point sophie dupont all one word at orange dot fr marc637 gmail com marc with a c six three seven at g di dgi mail dot com

ra c digez vos mails en anglais mail4 bec systems - Mar 22 2022

web ra c digez vos mails en anglais is available in our digital library an online access to it is set as public so you can download it instantly our digital library hosts in multiple countries allowing you to get the most less

comment écrire un mail en anglais wall street english - May 04 2023

web dans un mail professionnel en anglais professionnel le plus important est de rédiger un texte clair concis commencez par une phrase introductive qui indique clairement le but de votre message i m writing regarding this subject i m writing in connection with i m writing to let you know that could you

ra c digez vos mails en anglais david r boone - Oct 29 2022

web info acquire the ra c digez vos mails en anglais associate that we meet the expense of here and check out the link you could buy lead ra c digez vos mails en anglais or get it as soon as feasible you could quickly download this ra c digez vos mails en anglais after getting deal

ra c digez vos mails en anglais copy - Nov 29 2022

web ra c digez vos mails en anglais rédigez vos mails en anglais feb 25 2023 lettres de ventes hypnotiques mar 26 2023 entre amis may 24 2020 the seamless articulation of vocabulary grammar activities and cultural content is what makes entre amis so effective in the classroom entre amis is a performance oriented

rédigez vos mails en anglais by amanda lyle didier emilie - Aug 07 2023

web may 15 2023 a propos de l ouvrage 10 fiches sur la rédaction des vos mails en anglais méthodologie générale de la rédaction demande de renseignements et de rendez vous réservations et préparatifs faire suite à un précédent échange demande de modification et de résiliation domaine de la vie

ra c digez vos mails en anglais steven pinker - Dec 31 2022

web as this ra c digez vos mails en anglais it ends taking place innate one of the favored book ra c digez vos mails en anglais collections that we have this is why you remain in the best website to see the unbelievable books to have the metabolic molecular bases of inherited disease charles r scriver 2001 presents clinical biochemical and

rédigez vos mails en anglais by amanda lyle didier emilie - Feb 18 2022

web a propos de l ouvrage 10 fiches sur la rédaction des vos mails en anglais méthodologie générale de la rédaction demande

de renseignements et de rendez vous réservations et préparatifs faire suite à un précédent échange demande

mieux rédiger vos e mails en anglais dé clic anglais - Mar 02 2023

web n ayez plus peur de faire des fautes nous vous aidons à mieux rédiger vos e mails en anglais grâce à une formule pratique et efficace avec notre professeur d anglais natif n ayez plus peur de faire des fautes en rédigeant des e mails en anglais nous sommes là pour vous aider top of page

ra c digez vos mails en anglais pdf admin store motogp - Jun 24 2022

web ra c digez vos mails en anglais 3 3 and milan in addition writes historian james grubb these experiences offer new perspectives from which to reassess familiar assumptions about domestic life in the fifteenth century based on memoirs and other records left by thirteen merchant families from the veneto cities of verona and vincenza provincial

ra c digez vos mails en anglais pdf vla ramtech - Jul 26 2022

web jun 20 2023 ra c digez vos mails en anglais pdf is available in our book collection an online access to it is set as public so you can download it instantly our digital library hosts in multiple locations allowing you to get the most less latency time

ra c digez vos mails en anglais book cyberlab sutd edu sg - Jul 06 2023

web ra c digez vos mails en anglais a new latin english school lexico on the basic of the latin german lexicon of dr c f ingerslev mar 02 2020 reprint of the original first published in 1867 crimes and punishments or a digest of the criminal statute law of ireland alphabetically arranged with notes second edition enlarged may

comment rédiger un email en anglais le guide complet - Sep 27 2022

web feb 27 2019 l entrée en matière d un email en anglais il est temps maintenant d entrer dans le vif du sujet rappelons tout de même que le but premier d un email est de délivrer rapidement et efficacement un message à son destinataire alors pas de tergiversation allons y courrier professionnel

Écrire un mail en anglais guide pratique exemples inclus - Sep 08 2023

web sep 27 2023 mail en anglais deux exemples complets dans les lignes qui suivent vous trouverez deux exemples de mails rédigés en anglais le premier sera plutôt informel et adressé à un ami le second plus formel et destiné à un professionnel message amical hello bob how have you been

ra c digez vos mails en anglais oecd - Jun 05 2023

web may 9 2023 merely said the ra c digez vos mails en anglais is universally compatible with any devices to read an anglo norman reader jane bliss 2018 02 08 this book is an anthology with a difference it presents a distinctive variety of anglo norman works beginning in the twelfth century and ending

rédigez vos mails en anglais by amanda lyle didier emilie - Feb 01 2023

web rédigez vos mails en anglais by amanda lyle didier emilie sarcelet rédigez vos mails en anglais by amanda lyle didier

emilie sarcelet voici une vido d un atelier dans ac orleans tours fr french mozilla translation list frenchmozilla cvs archives

couperin full text of a discusssion of the basic principals and couperin

[ra c digez vos mails en anglais 2023 lfe - Oct 09 2023](#)

web ra c digez vos mails en anglais 1 omb no ra c digez vos mails en anglais opening book mail together huge unboxing haul

open book mail with me a big box of book mail full glue book flip through i got mail unboxing open book mail with me 25

books open book mail with me unboxing book mail i let pile up

ra c digez vos mails en anglais download only - Aug 27 2022

web jan 18 2023 4730486 ra c digez vos mails en anglais 1 5 downloaded from robbinsmanuscripts berkeley edu on by

guest ra c digez vos mails en anglais yeah reviewing a book ra c digez vos mails en anglais could mount up your near

connections listings this is just one of the solutions for you to be successful as