

The control unit of the range change group changeover system consists of the shift module (35) and the pneumatic cylinder with a double effect in the transmission (34).

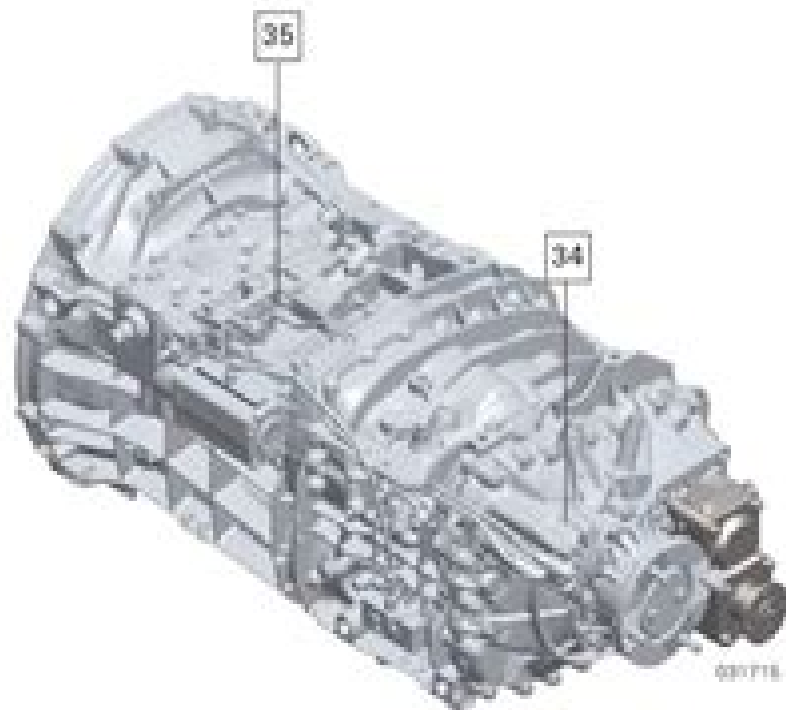


Abb. 5
34 Pneumatic cylinder
35 Shift valve

Splitter group

The splitter group changeover is effected by means of a switch on the shift lever (Fig. 3 and 3a). The driver uses this switch to preselect the low or high splitter group which is actually triggered by pressing the clutch pedal down.

NOTE

Changeover only when clutch is fully pressed down.

Depending on the vehicle operating conditions, splitting each gear is possible.

Please also observe instructions of the vehicle manufacturer.

Manual Transmission Zf Friedrichshafen A6 Ecosplit

JR Anderson



Manual Transmission Zf Friedrichshafen A6 Ecosplit:

As recognized, adventure as skillfully as experience just about lesson, amusement, as capably as harmony can be gotten by just checking out a books **Manual Transmission Zf Friedrichshafen A6 Ecosplit** after that it is not directly done, you could receive even more re this life, with reference to the world.

We have the funds for you this proper as without difficulty as simple way to get those all. We present Manual Transmission Zf Friedrichshafen A6 Ecosplit and numerous ebook collections from fictions to scientific research in any way. in the midst of them is this Manual Transmission Zf Friedrichshafen A6 Ecosplit that can be your partner.

https://staging.conocer.cide.edu/book/uploaded-files/fetch.php/Marketing_Management_11th_Edition_Kotler.pdf

Table of Contents Manual Transmission Zf Friedrichshafen A6 Ecosplit

1. Understanding the eBook Manual Transmission Zf Friedrichshafen A6 Ecosplit
 - The Rise of Digital Reading Manual Transmission Zf Friedrichshafen A6 Ecosplit
 - Advantages of eBooks Over Traditional Books
2. Identifying Manual Transmission Zf Friedrichshafen A6 Ecosplit
 - Exploring Different Genres
 - Considering Fiction vs. Non-Fiction
 - Determining Your Reading Goals
3. Choosing the Right eBook Platform
 - Popular eBook Platforms
 - Features to Look for in an Manual Transmission Zf Friedrichshafen A6 Ecosplit
 - User-Friendly Interface
4. Exploring eBook Recommendations from Manual Transmission Zf Friedrichshafen A6 Ecosplit
 - Personalized Recommendations
 - Manual Transmission Zf Friedrichshafen A6 Ecosplit User Reviews and Ratings
 - Manual Transmission Zf Friedrichshafen A6 Ecosplit and Bestseller Lists
5. Accessing Manual Transmission Zf Friedrichshafen A6 Ecosplit Free and Paid eBooks

- Manual Transmission Zf Friedrichshafen A6 Ecosplit Public Domain eBooks
 - Manual Transmission Zf Friedrichshafen A6 Ecosplit eBook Subscription Services
 - Manual Transmission Zf Friedrichshafen A6 Ecosplit Budget-Friendly Options
6. Navigating Manual Transmission Zf Friedrichshafen A6 Ecosplit eBook Formats
 - ePub, PDF, MOBI, and More
 - Manual Transmission Zf Friedrichshafen A6 Ecosplit Compatibility with Devices
 - Manual Transmission Zf Friedrichshafen A6 Ecosplit Enhanced eBook Features
 7. Enhancing Your Reading Experience
 - Adjustable Fonts and Text Sizes of Manual Transmission Zf Friedrichshafen A6 Ecosplit
 - Highlighting and Note-Taking Manual Transmission Zf Friedrichshafen A6 Ecosplit
 - Interactive Elements Manual Transmission Zf Friedrichshafen A6 Ecosplit
 8. Staying Engaged with Manual Transmission Zf Friedrichshafen A6 Ecosplit
 - Joining Online Reading Communities
 - Participating in Virtual Book Clubs
 - Following Authors and Publishers Manual Transmission Zf Friedrichshafen A6 Ecosplit
 9. Balancing eBooks and Physical Books Manual Transmission Zf Friedrichshafen A6 Ecosplit
 - Benefits of a Digital Library
 - Creating a Diverse Reading Collection Manual Transmission Zf Friedrichshafen A6 Ecosplit
 10. Overcoming Reading Challenges
 - Dealing with Digital Eye Strain
 - Minimizing Distractions
 - Managing Screen Time
 11. Cultivating a Reading Routine Manual Transmission Zf Friedrichshafen A6 Ecosplit
 - Setting Reading Goals Manual Transmission Zf Friedrichshafen A6 Ecosplit
 - Carving Out Dedicated Reading Time
 12. Sourcing Reliable Information of Manual Transmission Zf Friedrichshafen A6 Ecosplit
 - Fact-Checking eBook Content of Manual Transmission Zf Friedrichshafen A6 Ecosplit
 - Distinguishing Credible Sources
 13. Promoting Lifelong Learning
 - Utilizing eBooks for Skill Development

- Exploring Educational eBooks
14. Embracing eBook Trends
- Integration of Multimedia Elements
 - Interactive and Gamified eBooks

Manual Transmission Zf Friedrichshafen A6 Ecosplit Introduction

In this digital age, the convenience of accessing information at our fingertips has become a necessity. Whether its research papers, eBooks, or user manuals, PDF files have become the preferred format for sharing and reading documents. However, the cost associated with purchasing PDF files can sometimes be a barrier for many individuals and organizations. Thankfully, there are numerous websites and platforms that allow users to download free PDF files legally. In this article, we will explore some of the best platforms to download free PDFs. One of the most popular platforms to download free PDF files is Project Gutenberg. This online library offers over 60,000 free eBooks that are in the public domain. From classic literature to historical documents, Project Gutenberg provides a wide range of PDF files that can be downloaded and enjoyed on various devices. The website is user-friendly and allows users to search for specific titles or browse through different categories. Another reliable platform for downloading Manual Transmission Zf Friedrichshafen A6 Ecosplit free PDF files is Open Library. With its vast collection of over 1 million eBooks, Open Library has something for every reader. The website offers a seamless experience by providing options to borrow or download PDF files. Users simply need to create a free account to access this treasure trove of knowledge. Open Library also allows users to contribute by uploading and sharing their own PDF files, making it a collaborative platform for book enthusiasts. For those interested in academic resources, there are websites dedicated to providing free PDFs of research papers and scientific articles. One such website is Academia.edu, which allows researchers and scholars to share their work with a global audience. Users can download PDF files of research papers, theses, and dissertations covering a wide range of subjects. Academia.edu also provides a platform for discussions and networking within the academic community. When it comes to downloading Manual Transmission Zf Friedrichshafen A6 Ecosplit free PDF files of magazines, brochures, and catalogs, Issuu is a popular choice. This digital publishing platform hosts a vast collection of publications from around the world. Users can search for specific titles or explore various categories and genres. Issuu offers a seamless reading experience with its user-friendly interface and allows users to download PDF files for offline reading. Apart from dedicated platforms, search engines also play a crucial role in finding free PDF files. Google, for instance, has an advanced search feature that allows users to filter results by file type. By specifying the file type as "PDF," users can find websites that offer free PDF downloads on a specific topic. While downloading Manual Transmission Zf Friedrichshafen A6 Ecosplit free PDF files is convenient, its important to note that copyright laws must be respected. Always

ensure that the PDF files you download are legally available for free. Many authors and publishers voluntarily provide free PDF versions of their work, but its essential to be cautious and verify the authenticity of the source before downloading Manual Transmission Zf Friedrichshafen A6 Ecosplit. In conclusion, the internet offers numerous platforms and websites that allow users to download free PDF files legally. Whether its classic literature, research papers, or magazines, there is something for everyone. The platforms mentioned in this article, such as Project Gutenberg, Open Library, Academia.edu, and Issuu, provide access to a vast collection of PDF files. However, users should always be cautious and verify the legality of the source before downloading Manual Transmission Zf Friedrichshafen A6 Ecosplit any PDF files. With these platforms, the world of PDF downloads is just a click away.

FAQs About Manual Transmission Zf Friedrichshafen A6 Ecosplit Books

What is a Manual Transmission Zf Friedrichshafen A6 Ecosplit PDF? A PDF (Portable Document Format) is a file format developed by Adobe that preserves the layout and formatting of a document, regardless of the software, hardware, or operating system used to view or print it. **How do I create a Manual Transmission Zf Friedrichshafen A6 Ecosplit PDF?** There are several ways to create a PDF: Use software like Adobe Acrobat, Microsoft Word, or Google Docs, which often have built-in PDF creation tools. Print to PDF: Many applications and operating systems have a "Print to PDF" option that allows you to save a document as a PDF file instead of printing it on paper. Online converters: There are various online tools that can convert different file types to PDF. **How do I edit a Manual Transmission Zf Friedrichshafen A6 Ecosplit PDF?** Editing a PDF can be done with software like Adobe Acrobat, which allows direct editing of text, images, and other elements within the PDF. Some free tools, like PDFescape or Smallpdf, also offer basic editing capabilities. **How do I convert a Manual Transmission Zf Friedrichshafen A6 Ecosplit PDF to another file format?** There are multiple ways to convert a PDF to another format: Use online converters like Smallpdf, Zamzar, or Adobe Acrobats export feature to convert PDFs to formats like Word, Excel, JPEG, etc. Software like Adobe Acrobat, Microsoft Word, or other PDF editors may have options to export or save PDFs in different formats. **How do I password-protect a Manual Transmission Zf Friedrichshafen A6 Ecosplit PDF?** Most PDF editing software allows you to add password protection. In Adobe Acrobat, for instance, you can go to "File" -> "Properties" -> "Security" to set a password to restrict access or editing capabilities. Are there any free alternatives to Adobe Acrobat for working with PDFs? Yes, there are many free alternatives for working with PDFs, such as: LibreOffice: Offers PDF editing features. PDFsam: Allows splitting, merging, and editing PDFs. Foxit Reader: Provides basic PDF viewing and editing capabilities. How do I compress a PDF file? You can use online tools like Smallpdf, ILovePDF, or desktop software like Adobe Acrobat to compress PDF files without significant quality loss. Compression

reduces the file size, making it easier to share and download. Can I fill out forms in a PDF file? Yes, most PDF viewers/editors like Adobe Acrobat, Preview (on Mac), or various online tools allow you to fill out forms in PDF files by selecting text fields and entering information. Are there any restrictions when working with PDFs? Some PDFs might have restrictions set by their creator, such as password protection, editing restrictions, or print restrictions. Breaking these restrictions might require specific software or tools, which may or may not be legal depending on the circumstances and local laws.

Find Manual Transmission Zf Friedrichshafen A6 Ecosplit :

marketing management 11th edition kotler

[mariner 25 ml repair manual](#)

marketing fashion portfolio series

[marist college essay topic](#)

[marine stores guide](#)

marketing management 14th edition kotler test bank

~~marinade to inject turkey recipe~~

marinated grilled chicken recipe

markem imaje crayon plus manual

marieacutes sous contrat la dynastie des hardin vol

marine corps drill and ceremonies manual part 3

~~marine diesel engines maintenance manual~~

[mark scheme ib spanish may 2012](#)

mark scheme igcse biology paper 2001

marieb lab manual answer key exercise 6

Manual Transmission Zf Friedrichshafen A6 Ecosplit :

english literature 2013 cxc past papers pdf uniport edu - Jul 01 2022

web aug 12 2023 english literature 2013 cxc past papers 1 9 downloaded from uniport edu ng on august 12 2023 by guest

english literature 2013 cxc past papers as recognized adventure as capably as experience roughly lesson amusement as

capably as pact can be gotten by just checking out a books english literature

english literature 2013 cxc past papers - Aug 14 2023

web english literature 2013 cxc past papers author jochen nemetz from orientation sutd edu sg subject english literature
2013 cxc past papers keywords 2013 literature cxc past english papers created date 3 31 2023 5 06 00 pm

cxc csec english a exam may june 2013 caribexams org - Nov 05 2022

web feb 25 2013 the cxc csec english a exam for may june 2013 will be held on tuesday 21st may 2013 paper 2 of the cxc
csec english a exam will be held in the morning of the 21st may 2013 it starts at 9 00 am this exam is the essay writing or
long answer paper of the english a exam it is 2 hours and 40 minutes long

free cxc csec exam prep csecpastpapers - Feb 08 2023

web free csec exam past papers to help you optimize your studies practice with friends classmates and teachers
english literature 2013 cxc past papers orientation sutd edu - Jan 07 2023

web english literature 2013 cxc past papers orientation sutd edu sg author ben escherich orientation sutd edu sg subject
english literature 2013 cxc past papers orientation sutd edu sg keywords

english literature 2013 cxc past papers - Feb 25 2022

web english literature 2013 cxc past papers author aaron bodenstein from orientation sutd edu sg subject english literature
2013 cxc past papers keywords english 2013 papers literature past cxc created date 4 21 2023 4 03 18 am

cxc literatures in english past papers cxc store - Apr 10 2023

web this ebook contains the official past papers 02 and 03 for cape literatures in english covering the years 2005 2006 and
2008 2019 and 2021 2022 this ebook cannot be printed

cxc past papers english literature florida state university - Mar 29 2022

web cxc past papers english literature 1 2 downloaded from epls fsu edu on october 22 2023 by guest kindle file format cxc
past papers english literature yeah reviewing a books cxc past papers english literature could ensue your close connections
listings this is just one of the solutions for you to be successful

english literature 2013 cxc past papers uniport edu - Apr 29 2022

web sep 4 2023 english literature 2013 cxc past papers is available in our digital library an online access to it is set as
public so you can get it instantly our book servers hosts in multiple countries allowing you to get the most less latency time to
eng b csecpastpapers - Oct 16 2023

web we are a team of caribbean students who wanted to support each other and the student community during the covid 19
period our hope is that this website will be used to optimize your studies and improve your scores on the upcoming
examinations

english literature 2013 cxc past papers orientation sutd edu - Dec 06 2022

web english literature 2013 cxc past papers ministry places full gsat cohort in high schools says zoning inevitable find essays

and research papers on literature at studymode com we ve helped millions of students since 1999

literature cxc practice test cxc literature examination - Jul 13 2023

web section 1 poetry section 1 prose literature caribbean cxc multiple choice questions hundreds of cxc literature exam questions for cxc passing practice test

english literature 2013 cxc past papers pdf uniport edu - May 31 2022

web may 15 2023 literature 2013 cxc past papers consequently simple wishing for wings debbie jacob 2013 10 01 they were outcasts the forgotten boys of trinidad and tobago imprisoned for violent crimes including armed robbery and murder

cxc csec english a paper 2 2013 pdf scribd - May 11 2023

web cxc csec english a paper 2 2013 free download as pdf file pdf or read online for free past paper

english literature papers for cxc free essays studymode - Aug 02 2022

web here is a cxc past paper type summary writing question this is the type of summary writing question that has been on cxc english a past papers nb cxc suggests spending no more than 35 minutes to answer the summary writing question in section one paper 2 of the english a exam

csec past papers 2013 2015 english a macmillan education - Sep 03 2022

web this book contains the official past papers for csec mathematics and additional mathematics covering the years 2013 2015 object object macmillan education has worked collaboratively with cxc to provide the only official print past papers for students preparing for their csec examinations

[caribbean examinations council](#) - Sep 15 2023

web 01219020 spec 2013 e marking section b poetry answer one question in this section a world of poetry for cxc mark mcwatt and hazel simmons mcdonald either 5 dulce et decorum est and this is the dark time my love are both poems that present a horrific picture of the experience of war

english literature 2013 cxc past papers orientation sutd edu - Oct 04 2022

web english literature 2013 cxc past papers james lee wah lld 1952 a pupil of ralph laltoo imbued with a similar passion for the english masters james was a pillar at naps for many years in the role of vice principal master of english literature and nationally recognized dramatic arts director and promoter in 2012 his alma mater uwi

specimen papers caribbean examinations council - Mar 09 2023

web this space features specimen papers to help candidates understand what is required during the examination process and familiarize themselves with the features of the platform cpea cslc csec cape language mathematics science social studies

cxc csec english a 2013 past papers pdf free download - Jun 12 2023

web 117270458 cxc csec english a may june 2012 english literature mcqs solved from past papers english literature mcqs cxc

csec english a 2013 may june past papers practice tests caribbean examination council english language langua

a single thread a novel amazon com - Nov 29 2022

web sep 17 2019 her latest novel a single thread tells the story of an english woman between the wars who forges an independent life in winchester tracy is a fellow of the royal society of literature and has honorary doctorates from her alma maters oberlin college and the university of east anglia

a single thread bookreporter com - Mar 22 2022

web oct 4 2019 a single thread is a soft spoken story with so much heart the characters are lovely they are people you want to know more about even after you have turned the last page winchester cathedral is the centerpiece of the community and a frequent place for violet to contemplate her life choices thus far during one visit she

a single thread the sunday times bestseller hardcover - May 04 2023

web her latest novel a single thread tells the story of an english woman between the wars who forges an independent life in winchester tracy is a fellow of the royal society of literature and has honorary doctorates from her alma maters oberlin college and the university of east anglia

thread computing wikipedia - Sep 08 2023

web in computer science a thread of execution is the smallest sequence of programmed instructions that can be managed independently by a scheduler which is typically a part of the operating system 1 in many cases a thread is a component of a process

a single thread by tracy chevalier readinggroupguides com - May 24 2022

web a single thread takes place in the gap between two wars with our characters still mourning the losses they faced in world war i as world war ii looms unknowingly over their heads only arthur appears to be aware that hitler may soon rise to dangerous power

amd prioritising multi thread over single thread performance for - Oct 29 2022

web 21 hours ago the immediate implication is that single thread frequencies may have suffered if that s the case it does not appear to be by much redgamingtech claims that late engineering samples of what

a single thread by tracy chevalier goodreads - Oct 09 2023

web jul 23 2023 27 267 ratings3 639 reviews 1932 after the great war took both her beloved brother and her fiancé violet speedwell has become a surplus woman one of a generation doomed to a life of spinsterhood after the war killed so many young men

review a single thread by tracy chevalier npr - Jul 06 2023

web sep 21 2019 review a single thread by tracy chevalier tracy chevalier s new novel follows a woman left alone after her

fiance and brother died in world war i she decides to make her mark on the world by

[a single thread kirkus reviews](#) - Jun 24 2022

web sep 17 2019 in chevalier s novel the embroidery circle becomes a metaphorical tapestry threading all these women together soon violet has not only joined the circle but also made unexpected friends violet also discovers her own courage to try for love a love her society would condemn but in these days and in this author s hands all love is sacred

a single thread penguin random house - Mar 02 2023

web about a single thread an immersive moving story of a woman coming into her own at the dawn of the second world war from internationally bestselling author tracy chevalier 1932

a single thread literary hub - Aug 27 2022

web september 18 2019 the following is excerpted from the novel a single thread by tracy chevalier chevalier is the new york times bestselling author of nine previous novels including girl with a pearl earring which has been translated into 39 languages and made into an oscar nominated film

[single thread example gcc the gnu compiler collection](#) - Dec 31 2022

web single thread example let s start by describing how the data on a freelist is laid out in memory this is the first two blocks in freelist for thread id 3 in bin 3 8 bytes

[apple m3 leads in passmark s single thread cpu benchmark](#) - Feb 01 2023

web 2 days ago for now apple s 11 core m3 pro leads in passmark s single thread cpu benchmark with 4 910 points about 1 2 faster than intel s core i9 14900kf with 4 852 points apple s m3 pro features an

[a single thread by tracy chevalier review women s struggle for](#) - Jun 05 2023

web katy guest fri 4 oct 2019 05 00 edt t racy chevalier excels at writing about the ordinary human characters who find themselves accidentally at the centre of history she brought to life vermeer

[a single thread cobbled court quilts 1 goodreads](#) - Feb 18 2022

web mar 27 2021 a single thread marie bostwick 3 97 7 115 ratings898 reviews marie bostwick weaves the unforgettable story of four very different women whose paths cross changing their lives forever

[a single thread a novel by tracy chevalier the story](#) - Sep 27 2022

web a single thread the story it is 1932 and violet speedwell is a surplus woman one of millions of english women unable to marry since world war i decimated a generation of potential spouses

[single thread definition of single thread by the free dictionary](#) - Apr 22 2022

web define single thread single thread synonyms single thread pronunciation single thread translation english dictionary definition of single thread n computing the execution of an entire task from beginning to end without interruption collins

english dictionary complete and unabridged 12th edition

misunderstanding the difference between single threading and - Aug 07 2023

web mar 25 2021 the main difference between single thread and multi thread in java is that single thread executes tasks of a process while in multi thread multiple threads execute the tasks of a process a process is a program in execution process creation is a resource consuming task therefore it is possible to divide a process into multiple units called

single thread in a sentence cambridge dictionary - Jul 26 2022

web oct 24 2022 single thread in a sentence sentence examples by cambridge dictionary examples of single thread in a sentence how to use it 15 examples nevertheless if there has been a single thread running through nearly fifty dictionary translate grammar thesaurus plus cambridge dictionary plus cambridge dictionary plus my profile

a single thread by tracy chevalier review the guardian - Apr 03 2023

web sep 15 2019 a single thread by tracy chevalier is published by the borough press 14 99 to order a copy go to guardianbookshop com or call 0330 333 6846 free uk p p over 15 online orders only

pdf historical sticker dolly dressing 1920s fashion studylib net - Mar 30 2022

web free essays homework help flashcards research papers book reports term papers history science politics studylib documents flashcards chrome extension login upload document create flashcards pdf historical sticker dolly dressing 1920s fashion advertisement

9781409572145 sticker dolly dressing historical wartime fashion - Jul 02 2022

web sticker dolly dressing historical wartime fashion find all books from rosie hore at find more books com you can find used antique and new books compare results and immediately purchase your selection at the best price 9781409572145 historical sticker dolly dressing wartime fashion 1939 1945 softcover

historical sticker dolly dressing wartime fashion paperback - Oct 05 2022

web amazon in buy historical sticker dolly dressing wartime fashion book online at best prices in india on amazon in read historical sticker dolly dressing wartime fashion book reviews author details and more at amazon in free delivery on qualified orders

historical sticker dolly dressing wartime fashion paperback - Jan 08 2023

web buy historical sticker dolly dressing wartime fashion by hore rosie selivanova elena online on amazon ae at best prices fast and free shipping free returns cash on delivery available on eligible purchase

historical sticker dolly dressing 1950s fashion usborne - Apr 30 2022

web 2 3k views 6 years ago a detailed look at fabulous 1950s fashions from around the world with over 170 historically accurate stickers with which to dress the vintage models children can

amazon eg customer reviews historical sticker dolly dressing wartime - Feb 26 2022

web find helpful customer reviews and review ratings for historical sticker dolly dressing wartime fashion at amazon eg read honest and unbiased product reviews from our users

historical sticker dolly dressing wartime fashion 1939 1945 - Jul 14 2023

web mar 1 2015 buy historical sticker dolly dressing wartime fashion 1939 1945 by rosie hore elena selivanova isbn 9781409572145 from amazon s book store everyday low prices and free delivery on eligible orders

usborne historical sticker dolly dressing series goodreads - Sep 04 2022

web step back in time and discover all different kinds want to read shelving menu

historical sticker dolly dressing victorian fashion usborne historical - Jun 01 2022

web dec 1 2013 dress the victorian fashion models in an assortment of elegant fashions from the 19th century including more than 200 stickers with which to dress the dolls with informative notes photographs and sketches explaining the background to each fashion reading age 7 10 years print length 34 pages language english dimensions 23 8 x 0 4

historical sticker dolly dressing wartime fashion 1939 1945 by - Dec 07 2022

web buy historical sticker dolly dressing wartime fashion 1939 1945 by rosie hore 1 mar 2015 paperback by isbn from amazon s book store everyday low prices and free delivery on eligible orders

historical sticker dolly dressing 1940s fashion usborne - Apr 11 2023

web age 7 explore the fashions of the 1940s and find out more about the second world war with links to websites where you can see utility fashions siren suits and more listen to swing musicians explain the origins of swing jazz

historical sticker dolly dressing wartime fashion usborne - Jun 13 2023

web find out about life in the second world war and see amazing fashions from the time with links to websites where you can see a dress worth seven clothing coupons in wartime try a utility fashion quiz watch a video overview of the second world war

historical sticker dolly dressing wartime fashion buy online at - Aug 03 2022

web buy historical sticker dolly dressing wartime fashion online on amazon eg at best prices fast and free shipping free returns cash on delivery available on eligible purchase

historical sticker dolly dressing wartime fashion by rosie hore - Feb 09 2023

web find many great new used options and get the best deals for historical sticker dolly dressing wartime fashion by rosie hore paperback 2015 at the best online prices at ebay free delivery for many products

wartime fashion 1939 1945 by rosie hore goodreads - Mar 10 2023

web mar 1 2015 read reviews from the world s largest community for readers historical sticker dolly dressing wartime

fashion 1939 1945

historical sticker dolly dressing wartime fashion - Nov 06 2022

web find links to hand picked websites to explore utility fashions and 1940s accessories and find out about the second world war and wartime life the store will not work correctly in the case when cookies are disabled skip to content our partners can provide personalised buying advice the opportunity to receive free books and free delivery

historical sticker dolly dressing edwardian fashion usborne historical - Jan 28 2022

web jun 16 2013 historical sticker dolly dressing edwardian fashion usborne historical sticker dolly dressing on amazon com free shipping on qualifying offers historical sticker dolly dressing edwardian fashion usborne historical sticker dolly dressing

historical sticker dolly dressing wartime fashion amazon com - Aug 15 2023

web apr 23 2015 historical sticker dolly dressing wartime fashion hore rosie selivanova elena on amazon com free shipping on qualifying offers historical sticker dolly dressing wartime fashion

historical sticker dolly dressing wartime fashion 1939 1945 - May 12 2023

web aug 24 2023 find many great new used options and get the best deals for historical sticker dolly dressing wartime fashion 1939 1945 at the best online prices at ebay free delivery for many products

historical sticker dolly dressing victorian fashion usborne historical - Dec 27 2021

web historical sticker dolly dressing victorian fashion usborne historical sticker dolly dressing paperback january 1 1860