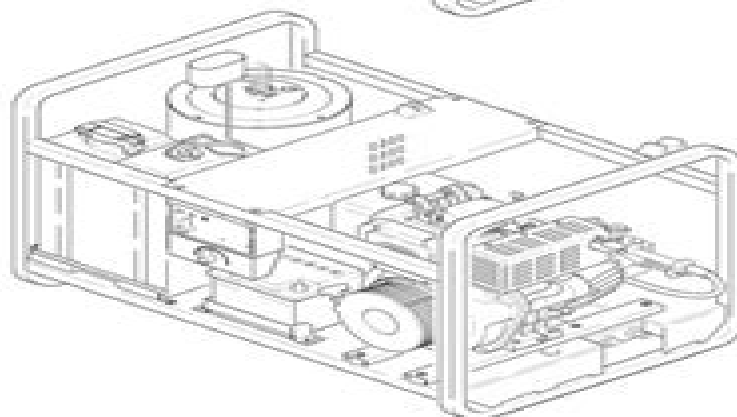
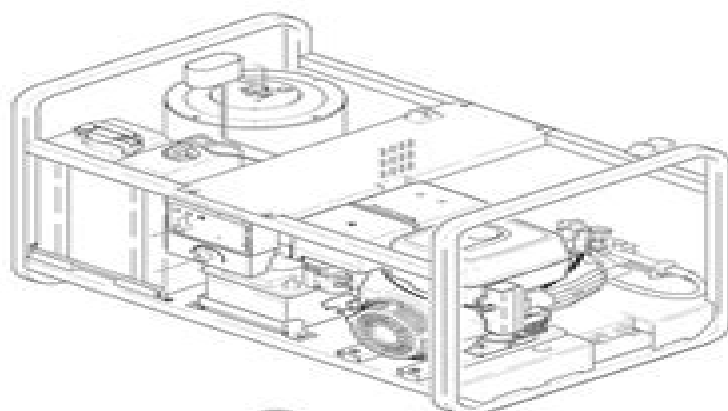
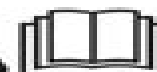


HDS 1000 BE
HDS 1000 DE



Deutsch	5
English	20
Français	35
Italiano	51
Nederlands	67
Español	82
Português	98
Dansk	114
Norsk	129
Svenska	143
Suomi	158
Ελληνικά	173
Türkçe	190
Русский	205
Magyar	222
Čeština	238
Slovenščina	253
Polski	267
Românește	283
Slovenčina	298
Hrvatski	313
Srpski	328
Български	343
Eesti	360
Latviešu	374
Lietuviškai	389
Українська	404
中文	421

Register and win!
www.karcher.com/register-and-win



Karcher Hds 1000 Be Manual

SJ Ball



Karcher Hds 1000 Be Manual:

Moody's Manual of Investments John Sherman Porter, 1951 American government securities 1928 53 in 5 annual vols v 1 Railroad securities 1952 53 Transportation v 2 Industrial securities v 3 Public utility securities v 4 Government securities 1928 54 v 5 Banks insurance companies investment trusts real estate finance and credit companies 1928 54 **Moody's Bank and Finance Manual** ,1951 **Technical Manual and Year Book of the American Association of Textile Chemists and Colorists** American Association of Textile Chemists and Colorists, 1956 Moody's Manual of Investments, American and Foreign; Banks, Insurance Companies, Investment Trusts, Real Estate, Finance and Credit Companies ,1944 *Technical Manual of the American Association of Textile Chemists and Colorists* American Association of Textile Chemists and Colorists, 1963 *Fleet Owner* ,1989 **Commerce Business Daily** ,1999-08 **The Rebellion Record** Frank Moore, 1867 Vols 1 8 each in three divisions separately paged I Diary of events II Documents and narratives III Poetry rumors and incidents Vol 9 in two divisions omitting Diary of events v 10 11 and supplement Documents only March 2022 - Surplus Record Machinery & Equipment Directory Surplus Record, 2022-03-01 SURPLUS RECORD is the leading independent business directory of new and used capital equipment machine tools machinery and industrial equipment listing over 95 000 industrial assets including metalworking and fabricating machine tools chemical and process equipment cranes air compressors pumps motors circuit breakers generators transformers turbines and more Over 1 100 businesses list with the SURPLUS RECORD March 2022 issue Vol 99 No 3 *THE BOOKSELLER* ,1866 **Textile Asia** ,2005 **Vineyard & Winery Management** ,1992 Applied Radiology ,1983 Each issue includes separate but continuously paged sections called Nuclear medicine and Ultrasound *Manufacturers' Record* ,1914 *Engineered Materials Abstracts* ,1987-04 **The Bookseller** ,1866 **Thomas Register of American Manufacturers and Thomas Register Catalog File** ,2002 Vols for 1970 71 includes manufacturers catalogs *Veranderingen in het patroon van fracturen van het maxillo-faciale skelet* Gerrit Jan van Beek, 1992 **Forthcoming Books** Rose Arny, 1998 Arts & Humanities Citation Index ,1987 A multidisciplinary index covering the journal literature of the arts and humanities It fully covers 1 144 of the world's leading arts and humanities journals and it indexes individually selected relevant items from over 6 800 major science and social science journals

Reviewing **Karcher Hds 1000 Be Manual**: Unlocking the Spellbinding Force of Linguistics

In a fast-paced world fueled by information and interconnectivity, the spellbinding force of linguistics has acquired newfound prominence. Its capacity to evoke emotions, stimulate contemplation, and stimulate metamorphosis is actually astonishing. Within the pages of "**Karcher Hds 1000 Be Manual**," an enthralling opus penned by a highly acclaimed wordsmith, readers embark on an immersive expedition to unravel the intricate significance of language and its indelible imprint on our lives. Throughout this assessment, we shall delve into the book's central motifs, appraise its distinctive narrative style, and gauge its overarching influence on the minds of its readers.

https://staging.conocer.cide.edu/About/book-search/index.jsp/eye_of_the_elephant_signed.pdf

Table of Contents Karcher Hds 1000 Be Manual

1. Understanding the eBook Karcher Hds 1000 Be Manual
 - The Rise of Digital Reading Karcher Hds 1000 Be Manual
 - Advantages of eBooks Over Traditional Books
2. Identifying Karcher Hds 1000 Be Manual
 - Exploring Different Genres
 - Considering Fiction vs. Non-Fiction
 - Determining Your Reading Goals
3. Choosing the Right eBook Platform
 - Popular eBook Platforms
 - Features to Look for in a Karcher Hds 1000 Be Manual
 - User-Friendly Interface
4. Exploring eBook Recommendations from Karcher Hds 1000 Be Manual
 - Personalized Recommendations
 - Karcher Hds 1000 Be Manual User Reviews and Ratings
 - Karcher Hds 1000 Be Manual and Bestseller Lists

5. Accessing Karcher Hds 1000 Be Manual Free and Paid eBooks
 - Karcher Hds 1000 Be Manual Public Domain eBooks
 - Karcher Hds 1000 Be Manual eBook Subscription Services
 - Karcher Hds 1000 Be Manual Budget-Friendly Options
6. Navigating Karcher Hds 1000 Be Manual eBook Formats
 - ePub, PDF, MOBI, and More
 - Karcher Hds 1000 Be Manual Compatibility with Devices
 - Karcher Hds 1000 Be Manual Enhanced eBook Features
7. Enhancing Your Reading Experience
 - Adjustable Fonts and Text Sizes of Karcher Hds 1000 Be Manual
 - Highlighting and Note-Taking Karcher Hds 1000 Be Manual
 - Interactive Elements Karcher Hds 1000 Be Manual
8. Staying Engaged with Karcher Hds 1000 Be Manual
 - Joining Online Reading Communities
 - Participating in Virtual Book Clubs
 - Following Authors and Publishers Karcher Hds 1000 Be Manual
9. Balancing eBooks and Physical Books Karcher Hds 1000 Be Manual
 - Benefits of a Digital Library
 - Creating a Diverse Reading Collection Karcher Hds 1000 Be Manual
10. Overcoming Reading Challenges
 - Dealing with Digital Eye Strain
 - Minimizing Distractions
 - Managing Screen Time
11. Cultivating a Reading Routine Karcher Hds 1000 Be Manual
 - Setting Reading Goals Karcher Hds 1000 Be Manual
 - Carving Out Dedicated Reading Time
12. Sourcing Reliable Information of Karcher Hds 1000 Be Manual
 - Fact-Checking eBook Content of Karcher Hds 1000 Be Manual
 - Distinguishing Credible Sources
13. Promoting Lifelong Learning

- Utilizing eBooks for Skill Development
 - Exploring Educational eBooks
14. Embracing eBook Trends
- Integration of Multimedia Elements
 - Interactive and Gamified eBooks

Karcher Hds 1000 Be Manual Introduction

Free PDF Books and Manuals for Download: Unlocking Knowledge at Your Fingertips In today's fast-paced digital age, obtaining valuable knowledge has become easier than ever. Thanks to the internet, a vast array of books and manuals are now available for free download in PDF format. Whether you are a student, professional, or simply an avid reader, this treasure trove of downloadable resources offers a wealth of information, conveniently accessible anytime, anywhere. The advent of online libraries and platforms dedicated to sharing knowledge has revolutionized the way we consume information. No longer confined to physical libraries or bookstores, readers can now access an extensive collection of digital books and manuals with just a few clicks. These resources, available in PDF, Microsoft Word, and PowerPoint formats, cater to a wide range of interests, including literature, technology, science, history, and much more. One notable platform where you can explore and download free Karcher Hds 1000 Be Manual PDF books and manuals is the internet's largest free library. Hosted online, this catalog compiles a vast assortment of documents, making it a veritable goldmine of knowledge. With its easy-to-use website interface and customizable PDF generator, this platform offers a user-friendly experience, allowing individuals to effortlessly navigate and access the information they seek. The availability of free PDF books and manuals on this platform demonstrates its commitment to democratizing education and empowering individuals with the tools needed to succeed in their chosen fields. It allows anyone, regardless of their background or financial limitations, to expand their horizons and gain insights from experts in various disciplines. One of the most significant advantages of downloading PDF books and manuals lies in their portability. Unlike physical copies, digital books can be stored and carried on a single device, such as a tablet or smartphone, saving valuable space and weight. This convenience makes it possible for readers to have their entire library at their fingertips, whether they are commuting, traveling, or simply enjoying a lazy afternoon at home. Additionally, digital files are easily searchable, enabling readers to locate specific information within seconds. With a few keystrokes, users can search for keywords, topics, or phrases, making research and finding relevant information a breeze. This efficiency saves time and effort, streamlining the learning process and allowing individuals to focus on extracting the information they need. Furthermore, the availability of free PDF books and manuals fosters a culture of continuous learning. By removing financial barriers, more people can access educational resources and pursue lifelong learning, contributing to personal

growth and professional development. This democratization of knowledge promotes intellectual curiosity and empowers individuals to become lifelong learners, promoting progress and innovation in various fields. It is worth noting that while accessing free Karcher Hds 1000 Be Manual PDF books and manuals is convenient and cost-effective, it is vital to respect copyright laws and intellectual property rights. Platforms offering free downloads often operate within legal boundaries, ensuring that the materials they provide are either in the public domain or authorized for distribution. By adhering to copyright laws, users can enjoy the benefits of free access to knowledge while supporting the authors and publishers who make these resources available. In conclusion, the availability of Karcher Hds 1000 Be Manual free PDF books and manuals for download has revolutionized the way we access and consume knowledge. With just a few clicks, individuals can explore a vast collection of resources across different disciplines, all free of charge. This accessibility empowers individuals to become lifelong learners, contributing to personal growth, professional development, and the advancement of society as a whole. So why not unlock a world of knowledge today? Start exploring the vast sea of free PDF books and manuals waiting to be discovered right at your fingertips.

FAQs About Karcher Hds 1000 Be Manual Books

How do I know which eBook platform is the best for me? Finding the best eBook platform depends on your reading preferences and device compatibility. Research different platforms, read user reviews, and explore their features before making a choice. Are free eBooks of good quality? Yes, many reputable platforms offer high-quality free eBooks, including classics and public domain works. However, make sure to verify the source to ensure the eBook credibility. Can I read eBooks without an eReader? Absolutely! Most eBook platforms offer webbased readers or mobile apps that allow you to read eBooks on your computer, tablet, or smartphone. How do I avoid digital eye strain while reading eBooks? To prevent digital eye strain, take regular breaks, adjust the font size and background color, and ensure proper lighting while reading eBooks. What the advantage of interactive eBooks? Interactive eBooks incorporate multimedia elements, quizzes, and activities, enhancing the reader engagement and providing a more immersive learning experience. Karcher Hds 1000 Be Manual is one of the best book in our library for free trial. We provide copy of Karcher Hds 1000 Be Manual in digital format, so the resources that you find are reliable. There are also many Ebooks of related with Karcher Hds 1000 Be Manual. Where to download Karcher Hds 1000 Be Manual online for free? Are you looking for Karcher Hds 1000 Be Manual PDF? This is definitely going to save you time and cash in something you should think about. If you trying to find then search around for online. Without a doubt there are numerous these available and many of them have the freedom. However without doubt you receive whatever you purchase. An alternate way to get ideas is always to check another Karcher Hds 1000 Be Manual. This

method for see exactly what may be included and adopt these ideas to your book. This site will almost certainly help you save time and effort, money and stress. If you are looking for free books then you really should consider finding to assist you try this. Several of Karcher Hds 1000 Be Manual are for sale to free while some are payable. If you arent sure if the books you would like to download works with for usage along with your computer, it is possible to download free trials. The free guides make it easy for someone to free access online library for download books to your device. You can get free download on free trial for lots of books categories. Our library is the biggest of these that have literally hundreds of thousands of different products categories represented. You will also see that there are specific sites catered to different product types or categories, brands or niches related with Karcher Hds 1000 Be Manual. So depending on what exactly you are searching, you will be able to choose e books to suit your own need. Need to access completely for Campbell Biology Seventh Edition book? Access Ebook without any digging. And by having access to our ebook online or by storing it on your computer, you have convenient answers with Karcher Hds 1000 Be Manual To get started finding Karcher Hds 1000 Be Manual, you are right to find our website which has a comprehensive collection of books online. Our library is the biggest of these that have literally hundreds of thousands of different products represented. You will also see that there are specific sites catered to different categories or niches related with Karcher Hds 1000 Be Manual So depending on what exactly you are searching, you will be able to choose ebook to suit your own need. Thank you for reading Karcher Hds 1000 Be Manual. Maybe you have knowledge that, people have search numerous times for their favorite readings like this Karcher Hds 1000 Be Manual, but end up in harmful downloads. Rather than reading a good book with a cup of coffee in the afternoon, instead they juggled with some harmful bugs inside their laptop. Karcher Hds 1000 Be Manual is available in our book collection an online access to it is set as public so you can download it instantly. Our digital library spans in multiple locations, allowing you to get the most less latency time to download any of our books like this one. Merely said, Karcher Hds 1000 Be Manual is universally compatible with any devices to read.

Find Karcher Hds 1000 Be Manual :

eye of the elephant signed

[eye winker tom tinker chin chopper fifty musical fingerplays with piano & guitar chords](#)

fabulous firework family

[eye of the daemon](#)

[eyewitness car eyewitness](#)

[eyes of texas 3 lone star legacy](#)

[ezra—nehemiah](#)

[expository sermons on the epistle james](#)

[eye to eye postcard](#)

[extrachromosomal dna icn-ucla symposia on molecular and cellular biology](#)

[eyewitness – mountain](#)

[f117 stealth in action](#)

[expreb newspapers the inside story of a turbulent decade](#)

[eyes to behold him](#)

[expressways a basal language program; level 6 activity](#)

Karcher Hds 1000 Be Manual :

research proposal on hospitality industry - Sep 25 2022

web dec 23 2013 free sample of hospitality industry research paper proposal read tips how to succeed in proposal writing

free research paper samples research

[how to research and write a thesis in hospitality and tourism](#) - Aug 05 2023

3 1 introduction 9 3 2 secondary research method literature review 9 3 3 case study 10 3 3 1 research design 10 3 2 2 the sample 11 3 2 3 the process 11 see more

sample research proposal hospitality industry pdf - Nov 15 2021

web 2 sample research proposal hospitality industry 2023 10 22 thus the industry has become an important policy tool for community and regional development in many

quora a place to share knowledge and better understand the world - Mar 20 2022

web we would like to show you a description here but the site won t allow us

sample research proposal hospitality industry pdf - Feb 16 2022

web examples which cover a broad range of hospitality sectors including in flight catering holiday homes guest houses licensed retail catering international restaurants and

research proposal hospitality 55619 draft dissertation - Apr 01 2023

web jan 10 2023 hospitality industry consists of casinos resorts restaurants hotels catering as well as other businesses that serve the tourists at its core hospitality can

hospitality proposal sample to make your business stand out - May 22 2022

web if you re a hospitality company offering hospitality services our beautifully designed free sample proposal template provides an example for how to pitch your services the

[142 original hospitality research topics that are 100 free](#) - Aug 25 2022

web our skilled writers have created a list of the best and most interesting hospitality management research paper topics for you the role of the general manager of a hotel

190 best hospitality research topics and ideas great - Oct 27 2022

web jul 27 2023 list of hospitality research topics and ideas hospitality is a broad field with endless research topics to consider when it comes to writing a hospitality

[research proposal on hospitality industry desklib](#) - Jul 04 2023

web table 4 7 ranking of perspective used by hotel to differentiate the hotel in hospitality industry from competition table 4 8 competition in the hotel industry table 4 8 1

[research proposal paper sample management in the](#) - Jul 24 2022

web mar 4 2022 this essay sample has the objective of determining the factors that influence the level of customer satisfaction and the link between service demands in the

tourism and hospitality dissertation topics and titles - May 02 2023

web this document presents a research proposal on the hospitality industry it examines the trends and challenges in the industry and provides a detailed methodology for the

research proposal on hospitality industry free essay example - Apr 20 2022

web sep 14 2018 research proposal on hospitality industry tourism hospitality industry is the complex industry which includes various forms of business like hotels

sample research proposal on tourism and hospitality - Jan 30 2023

web apr 2 2020 abstract hospitality and tourism entrepreneurship is a multidisciplinary field of study that involves preparation of persons to become innovative entrepreneurs

[hospitality industry research topics ideas 2023](#) - Jun 22 2022

web jul 14 2021 hospitality industry research paper topics ideas 2023 published 14 july 2021 finding good hospitality research topics on hospitality management is very

luxury hotel industry research proposal examples - Nov 27 2022

web mar 16 2020 in the hospitality industry singapore offers a variety of accommodation facilities there are good hotels and motels that serve diverse clientele base the hotels

sample research proposal hospitality industry pdf store spiralny - Dec 17 2021

web 2 sample research proposal hospitality industry 2022 04 11 retail catering international restaurants and hotels ensuring you have a thorough understanding of the

[research proposal pdf customer satisfaction hotel](#) - Dec 29 2022

web executive summary the research proposal is on customer satisfaction and loyalty in hotel and restaurant industry the proposal includes definitions of satisfaction and loyalty

dhs to double h 2b visas in fy2024 shrm - Oct 15 2021

web 5 hours ago dhs will provide an additional 64 716 h 2b temporary worker visas for the 2024 fiscal year beginning oct 1 on top of the 66 000 h 2b visas already available each

[130 hospitality research topics that need to](#) - Feb 28 2023

web the research proposal will be guided by the following set of objectives 1 to determine the historical and current trends of culture impacts in hotel and hospitality industry 2 to

[hospitality research proposals samples for students](#) - Oct 07 2023

section 1 introduction 4 1 1 purpose of the proposal 4 1 2 research aim 4 1 3 research questions and objectives 4 1 4

research hypothesis 5 1 5 background and overview of business 5 see more

[pdf research in hospitality management](#) - Jun 03 2023

web description a comprehensive guide to academic research methods that focuses on two of the world s fastest growing industries as tourism continues to play a larger role in

[sample research proposal hospitality industry](#) - Jan 18 2022

web oct 30 2023 2 sample research proposal hospitality industry 2022 05 21 sample research proposal hospitality industry omb no 7685103092617 edited by angel

a research project report submitted in partial - Sep 06 2023

2 1 introduction 6 2 2 micro and macro economic indicators and business confidence 6 2 3 recent trends strategies and the market potential 7 2 4 consumer see more

[cinderella play script a fun play meet feisty](#) - Mar 29 2022

web a short play cinderella level elementary age 12 17 downloads 141 cinderella play script for primary school students level elementary age 9 100 downloads 137

[cinderella reading activity key editable worksheet](#) - Nov 24 2021

cinderella comedy play script for schools drama - Apr 10 2023

web may 15 2009 script narrator cinderella lives in a house with her stepmother and her two stepsisters her stepmother never works around the house everyday she says

[cinderella play script for children drama notebook](#) - Aug 14 2023

web narrator you all know the story of cinderella so there s no need to delay once upon a time the characters barge in ordering cinderella around the cat saunters on and

children s theatre play script cinderella classics on - Jan 07 2023

web no long speeches easy for kids to memorize cinderella can be played by up to 5 girls to ensure that not one child is the star about 30 40 minutes lon g this children s play is

cinderella play script for primary school students worksheet - Jan 27 2022

cinderella worksheets esl printables - Oct 04 2022

web explore more than 507 cinderella play script resources for teachers parents and pupils as well as related resources on cinderella script

short cinderella play script featuring a chorus that raps - Sep 03 2022

web little red riding hood play script 5 0 7 reviews cinderella story powerpoint 4 8 13 reviews the gingerbread man play script 4 9 13 reviews cinderella stick puppets

cinderella a play scene 1 aheadbooks - May 11 2023

web royalty free short play for elementary and middle school students funny version of the classic fairy tale cinderella perfect for classroom use or school performances

cinderella script teaching resources teachers pay teachers - Jul 01 2022

web cinderella and her bedroom level elementary age 7 11 downloads 181 a short play cinderella level elementary age 12 17 downloads 141 cinderella play script

cinderella drama script esl worksheet by missmallo - Sep 22 2021

cinderella english esl worksheets pdf doc isl - Feb 08 2023

web cinderella rap is a short play featuring a series of raps which are chanted by students not playing characters in the cast this is a great way for all students to participate this is

cinderella script esl worksheet by fasiha esl printables - Dec 26 2021

cinderella play script for kids to perform children s theatre plays - Aug 02 2022

web cinderella play script for primary school students worksheet cinderella worksheets cinderella reading activity key editable level elementary age 12 14

cinderella play script for schools royalty free pdf - Jul 13 2023

web readers theater play script authors elaine lindy country germany genre fairytales characters cinderella stepsister 1 stepsister 2

[cinderella readers theater play script stories to grow by](#) - Jun 12 2023

web cinderella is very busy helping her sisters narrator 1 the ugly sisters want cinderella to do everything ugly sister 1 cinderella come here and help me with my dress ugly

cinderella role play esl worksheet by trainer03 - Oct 24 2021

cinderella play script for kids to perform children s theatre plays - May 31 2022

web a short play cinderella level elementary age 12 17 downloads 141 cinderella play script for primary school students level elementary age 9 100 downloads 137

cinderella long playscript esl worksheet by merlinzz - Mar 09 2023

web cinderella crying sadly i wish i could go too narrator the night of the ball arrived stepsister 1 laughing ha ha we are going to have a great time at the ball cinderella

1 725 top cinderella script teaching resources curated for - Feb 25 2022

characters cinderella - Nov 05 2022

web every child has a special moment step sisters the happy princess and prince charming here is the timeless children s classic with all the wonderment of a fairy

507 top cinderella play script teaching resources curated for - Apr 29 2022

web cinderella play script for primary school students level elementary age 9 100 downloads 137 cinderella two versions of a fairy tale level intermediate age 13 17

[cinderella k i d s i n co com free playscripts for kids](#) - Dec 06 2022

web by drama dreams and english themes this is an original four page script of cinderella that can be used as the basis for a variety of activities in the english or theatre

diffusion and osmosis i worksheet medicine libretexts - Apr 12 2023

web aug 14 2020 1 list 5 mechanisms by which molecules pass through the plasma membrane state whether these mechanisms are passive or active ie use energy or not 2 which mechanism 3 circle the correct statements below diffusion is a process that 4 circle the correct statements below osmosis 5 a semi permeable membrane is a

diffusion and osmosis key answers worksheets learny kids - Sep 05 2022

web 1 diffusion and osmosis answer key 2 diffusion and osmosis worksheet answer key biology 3 mr croft osmosis worksheet

answers 4 answer key for osmosis and tonicity 5

diffusion and osmosis worksheet the answers pdf scribd - Mar 11 2023

web f 1a these are pictures of molecules frozen at two different times draw arrows to show the direction each particle might travel due to diffusion in diagrams a and b 1b describe the way the particles of a gas move randomly they continue in a straight line until they hit each other or an object and ricochet in a new direction f 1a

3 4 diffusion and osmosis answer key new trello - Jun 02 2022

web answer key 1 false hydrophilic 2 true 3 false hydrophobic 4 section 4 instant replay 1 hypertonic solution plus sign should be inside 2 facilitated diffusion 3 concentration gradient the big picture 4 13 08 2020 facilitated diffusion passive

diffusion and osmosis worksheet key 08 pdf osmosis - Dec 08 2022

web diffusion and osmosis worksheet diffusion is the movement of particles from areas of higher concentration to areas of lower concentration it is a natural random process this means that it does not require extra energy input 1a these are pictures of molecules frozen at two different times

18 9 osmosis and diffusion chemistry libretexts - Nov 07 2022

web the three main kinds of passive transport are diffusion or simple diffusion osmosis and facilitated diffusion simple diffusion and osmosis do not involve transport proteins facilitated diffusion requires the assistance of proteins

diffusion and osmosis questions practice questions of diffusion - Jul 03 2022

web practise questions on diffusion and osmosis q1 differentiate between osmosis and diffusion q2 what is reverse osmosis q3 give some examples of osmosis that we encounter in everyday life q4 what is dialysis q5 explain different types of diffusion click the pdf to check the answers for practice questions download pdf

chapter review diffusion and osmosis answer key - Jan 29 2022

web jun 8 2023 chapter review diffusion and osmosis answer key ebook chapter review diffusion and osmosis answer key is also beneficial along with manuals you could savor the moment is chapter review diffusion and osmosis answer key below it will hugely simplicity you to see manual chapter review diffusion and osmosis

difference between osmosis and diffusion osmosis vs diffusion - Feb 27 2022

web osmosis and diffusion are the two types of passive transport which play a vital role in moving molecules in and out of the cell osmosis osmosis is the process of moving solvent particles across a semipermeable membrane from the solvent s higher concentration to the solvent s lower concentration

diffusion and osmosis worksheet key 08 studocu - Aug 16 2023

web diffusion and osmosis worksheet diffusion is the movement of particles from areas of higher concentration to areas of lower concentration it is a natural random process this means that it does not require extra energy input 1a these are

pictures of molecules frozen at two different times

diffusion and osmosis biology i introduction to cell and - Aug 04 2022

web osmosis is a specific kind of diffusion in which water moves across a semipermeable membrane from an area of high water concentration to an area of low water concentration a semipermeable membrane is a barrier that allows the passage of [chapter review diffusion and osmosis answer key pdf old vulkk](#) - May 01 2022

web cell membranes diffusion and osmosis chapter 7 part 2 of 3 diffusion osmosis active x port across cell membranes by professor fink osmosis an overview sciencedirect topics chapter review diffusion and osmosis answer key

answer key lab diffusion and osmosis pdf scribd - Jul 15 2023

web the rate of diffusion is influenced by both temperature how fast the particles move and size how big they are part 1 brownian motion in this part of the lab you will use a microscope to observe brownian motion in carmine red powder which is a

[bio 101 lab 05 osmosis and diffusion answer key studocu](#) - Feb 10 2023

web osmosis is a type of passive diffusion it occurs when water h₂o molecules moves across a membrane from high water concentration to lower water concentration during osmosis the solvent moves but solutes do not diffuse

diffusion and osmosis what do you know key by - Mar 31 2022

web description this is the answer key to a free worksheet available at biologycorner com worksheets diffusion osmosis review html this worksheet was designed for an anatomy class and contains a set of statements where students must circle the right word that completes the statement

answer key lab diffusion and osmosis studocu - Oct 06 2022

web lab 4 diffusion and osmosis the cell membrane plays the dual roles of protecting the living cell by acting as a barrier to the outside world yet at the same time it must allow the passage of food and waste products into and out of the cell for metabolism to proceed

lab 5 diffusion osmosis online worksheet pdf studocu - Jan 09 2023

web how are these observations related to the processes of diffusion and osmosis these observations are related to the processes of diffusion and osmosis because larger molecules can't diffuse easily through cell membranes activity b diffusion of molecules through a selectively permeable membrane

[diffusion and osmosis answer key barbara herlihy 2023](#) - Dec 28 2021

web as this diffusion and osmosis answer key it ends stirring swine one of the favored ebook diffusion and osmosis answer key collections that we have this is why you remain in the best website to see the unbelievable ebook to have mosby's comprehensive review for veterinary technicians e book monica m tigue 2019 03 28

diffusion and osmosis biology libretexts - Jun 14 2023

web 1 description of diffusion and osmosis a water solution that contains nutrients wastes gases salts and other substances surrounds cells this is the external environment of a cell the cell s outer surface of the plasma membrane is in contact with this external environment while the inner surface is in contact with the cytoplasm

chapter review diffusion and osmosis flashcards quizlet - May 13 2023

web facilitated diffusion moves substances down their concentration gradient using the cell s energy the spreading of something more wildly diffusion equilibrium a state in which opposing forces or influences are balanced osmosis a process in which molecules of a solvent tend to pass through membrane