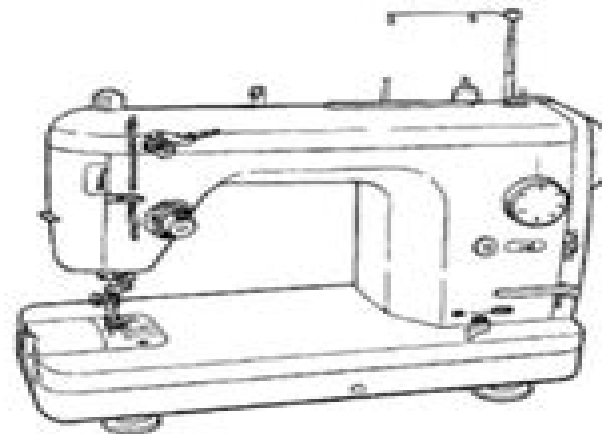


**JUKI®**

Sewing machine for professional use  
Máquina de coser para uso profesional  
Machine à coudre à usage professionnel

# TL-2010Q

## INSTRUCTION MANUAL MANUAL DE INSTRUCCIONES MANUEL D'INSTRUCTIONS



**IMPORTANT:**

Read all safety regulations carefully and understand them before using your sewing machine. Retain this instruction manual for future reference.

**IMPORTANTE:**

Lee cuidadosamente todas las recomendaciones con respecto a la seguridad y comprendelas perfectamente antes de usar su máquina. Guarde este libro de instrucciones para referencias futuras.

**IMPORTANT:**

Avant de mettre la machine en marche, lire attentivement et assimiler les règles de sécurité de ce manuel. Conserver le manuel afin de pouvoir le consulter ultérieurement.

# Juki Tl 2010q Manual

**Wolfgang Guggemos**



**Juki Tl 2010q Manual:**

## **Juki Tl 2010q Manual** Book Review: Unveiling the Power of Words

In some sort of driven by information and connectivity, the power of words has be more evident than ever. They have the ability to inspire, provoke, and ignite change. Such may be the essence of the book **Juki Tl 2010q Manual**, a literary masterpiece that delves deep into the significance of words and their effect on our lives. Compiled by a renowned author, this captivating work takes readers on a transformative journey, unraveling the secrets and potential behind every word. In this review, we will explore the book is key themes, examine its writing style, and analyze its overall effect on readers.

<https://staging.conocer.cide.edu/About/book-search/fetch.php/Hunger%20For%20Heroes%20Soldier%20Of%20Fortune%20No%20More%20War%202018.pdf>

### **Table of Contents Juki Tl 2010q Manual**

1. Understanding the eBook Juki Tl 2010q Manual
  - The Rise of Digital Reading Juki Tl 2010q Manual
  - Advantages of eBooks Over Traditional Books
2. Identifying Juki Tl 2010q Manual
  - Exploring Different Genres
  - Considering Fiction vs. Non-Fiction
  - Determining Your Reading Goals
3. Choosing the Right eBook Platform
  - Popular eBook Platforms
  - Features to Look for in an Juki Tl 2010q Manual
  - User-Friendly Interface
4. Exploring eBook Recommendations from Juki Tl 2010q Manual
  - Personalized Recommendations
  - Juki Tl 2010q Manual User Reviews and Ratings
  - Juki Tl 2010q Manual and Bestseller Lists

5. Accessing Juki Tl 2010q Manual Free and Paid eBooks
  - Juki Tl 2010q Manual Public Domain eBooks
  - Juki Tl 2010q Manual eBook Subscription Services
  - Juki Tl 2010q Manual Budget-Friendly Options
6. Navigating Juki Tl 2010q Manual eBook Formats
  - ePub, PDF, MOBI, and More
  - Juki Tl 2010q Manual Compatibility with Devices
  - Juki Tl 2010q Manual Enhanced eBook Features
7. Enhancing Your Reading Experience
  - Adjustable Fonts and Text Sizes of Juki Tl 2010q Manual
  - Highlighting and Note-Taking Juki Tl 2010q Manual
  - Interactive Elements Juki Tl 2010q Manual
8. Staying Engaged with Juki Tl 2010q Manual
  - Joining Online Reading Communities
  - Participating in Virtual Book Clubs
  - Following Authors and Publishers Juki Tl 2010q Manual
9. Balancing eBooks and Physical Books Juki Tl 2010q Manual
  - Benefits of a Digital Library
  - Creating a Diverse Reading Collection Juki Tl 2010q Manual
10. Overcoming Reading Challenges
  - Dealing with Digital Eye Strain
  - Minimizing Distractions
  - Managing Screen Time
11. Cultivating a Reading Routine Juki Tl 2010q Manual
  - Setting Reading Goals Juki Tl 2010q Manual
  - Carving Out Dedicated Reading Time
12. Sourcing Reliable Information of Juki Tl 2010q Manual
  - Fact-Checking eBook Content of Juki Tl 2010q Manual
  - Distinguishing Credible Sources
13. Promoting Lifelong Learning

- Utilizing eBooks for Skill Development
  - Exploring Educational eBooks
14. Embracing eBook Trends
- Integration of Multimedia Elements
  - Interactive and Gamified eBooks

### **Juki Tl 2010q Manual Introduction**

In the digital age, access to information has become easier than ever before. The ability to download Juki Tl 2010q Manual has revolutionized the way we consume written content. Whether you are a student looking for course material, an avid reader searching for your next favorite book, or a professional seeking research papers, the option to download Juki Tl 2010q Manual has opened up a world of possibilities. Downloading Juki Tl 2010q Manual provides numerous advantages over physical copies of books and documents. Firstly, it is incredibly convenient. Gone are the days of carrying around heavy textbooks or bulky folders filled with papers. With the click of a button, you can gain immediate access to valuable resources on any device. This convenience allows for efficient studying, researching, and reading on the go. Moreover, the cost-effective nature of downloading Juki Tl 2010q Manual has democratized knowledge. Traditional books and academic journals can be expensive, making it difficult for individuals with limited financial resources to access information. By offering free PDF downloads, publishers and authors are enabling a wider audience to benefit from their work. This inclusivity promotes equal opportunities for learning and personal growth. There are numerous websites and platforms where individuals can download Juki Tl 2010q Manual. These websites range from academic databases offering research papers and journals to online libraries with an expansive collection of books from various genres. Many authors and publishers also upload their work to specific websites, granting readers access to their content without any charge. These platforms not only provide access to existing literature but also serve as an excellent platform for undiscovered authors to share their work with the world. However, it is essential to be cautious while downloading Juki Tl 2010q Manual. Some websites may offer pirated or illegally obtained copies of copyrighted material. Engaging in such activities not only violates copyright laws but also undermines the efforts of authors, publishers, and researchers. To ensure ethical downloading, it is advisable to utilize reputable websites that prioritize the legal distribution of content. When downloading Juki Tl 2010q Manual, users should also consider the potential security risks associated with online platforms. Malicious actors may exploit vulnerabilities in unprotected websites to distribute malware or steal personal information. To protect themselves, individuals should ensure their devices have reliable antivirus software installed and validate the legitimacy of the websites they are downloading from. In conclusion, the ability to download Juki Tl 2010q Manual has transformed the way we access information. With the

convenience, cost-effectiveness, and accessibility it offers, free PDF downloads have become a popular choice for students, researchers, and book lovers worldwide. However, it is crucial to engage in ethical downloading practices and prioritize personal security when utilizing online platforms. By doing so, individuals can make the most of the vast array of free PDF resources available and embark on a journey of continuous learning and intellectual growth.

### **FAQs About Juki Tl 2010q Manual Books**

How do I know which eBook platform is the best for me? Finding the best eBook platform depends on your reading preferences and device compatibility. Research different platforms, read user reviews, and explore their features before making a choice. Are free eBooks of good quality? Yes, many reputable platforms offer high-quality free eBooks, including classics and public domain works. However, make sure to verify the source to ensure the eBook credibility. Can I read eBooks without an eReader? Absolutely! Most eBook platforms offer webbased readers or mobile apps that allow you to read eBooks on your computer, tablet, or smartphone. How do I avoid digital eye strain while reading eBooks? To prevent digital eye strain, take regular breaks, adjust the font size and background color, and ensure proper lighting while reading eBooks. What the advantage of interactive eBooks? Interactive eBooks incorporate multimedia elements, quizzes, and activities, enhancing the reader engagement and providing a more immersive learning experience. Juki Tl 2010q Manual is one of the best book in our library for free trial. We provide copy of Juki Tl 2010q Manual in digital format, so the resources that you find are reliable. There are also many Ebooks of related with Juki Tl 2010q Manual. Where to download Juki Tl 2010q Manual online for free? Are you looking for Juki Tl 2010q Manual PDF? This is definitely going to save you time and cash in something you should think about. If you trying to find then search around for online. Without a doubt there are numerous these available and many of them have the freedom. However without doubt you receive whatever you purchase. An alternate way to get ideas is always to check another Juki Tl 2010q Manual. This method for see exactly what may be included and adopt these ideas to your book. This site will almost certainly help you save time and effort, money and stress. If you are looking for free books then you really should consider finding to assist you try this. Several of Juki Tl 2010q Manual are for sale to free while some are payable. If you arent sure if the books you would like to download works with for usage along with your computer, it is possible to download free trials. The free guides make it easy for someone to free access online library for download books to your device. You can get free download on free trial for lots of books categories. Our library is the biggest of these that have literally hundreds of thousands of different products categories represented. You will also see that there are specific sites catered to different product types or categories, brands or niches related with Juki Tl 2010q Manual. So depending on what exactly you are searching, you will be able to choose e books to suit your own need. Need to access

completely for Campbell Biology Seventh Edition book? Access Ebook without any digging. And by having access to our ebook online or by storing it on your computer, you have convenient answers with Juki Tl 2010q Manual To get started finding Juki Tl 2010q Manual, you are right to find our website which has a comprehensive collection of books online. Our library is the biggest of these that have literally hundreds of thousands of different products represented. You will also see that there are specific sites catered to different categories or niches related with Juki Tl 2010q Manual So depending on what exactly you are searching, you will be able to choose ebook to suit your own need. Thank you for reading Juki Tl 2010q Manual. Maybe you have knowledge that, people have search numerous times for their favorite readings like this Juki Tl 2010q Manual, but end up in harmful downloads. Rather than reading a good book with a cup of coffee in the afternoon, instead they juggled with some harmful bugs inside their laptop. Juki Tl 2010q Manual is available in our book collection an online access to it is set as public so you can download it instantly. Our digital library spans in multiple locations, allowing you to get the most less latency time to download any of our books like this one. Merely said, Juki Tl 2010q Manual is universally compatible with any devices to read.

### **Find Juki Tl 2010q Manual :**

#### **hunger for heroes soldier of fortune no 18**

human cartography mapping the world of man

human rights in the twenty-first century a global challenge

#### **human communication telephone and beyond**

*human sexuality a holistic approach*

#### **human quest for meaning a handbook of psychological research and clinical applications**

human sectional anatomy atlas of body sections ct and mri images

humanized information systems analysis and design

#### **human problems in technological change**

human dignity and human cloning

human sexuality international research library of philosophy 19

humanpower cars planes and boats with muscles for motors

#### **human rights act a practical guide for nurses**

human target strike zones

human needs two and the nursing process



**Juki Tl 2010q Manual :****top 300 electrical circuits objective questions and answers** - May 02 2023

web 1 which statement is true 2 the admittance of a parallel rlc circuit is found to be the sum of conductance and susceptances 3 which component opposes voltage change 4 another term for a superconductor 5 in calculating maximum instantaneous power voltage or current is used 6

**circuit analysis 156 plays quizizz** - May 22 2022

web circuit analysis quiz for 9th grade students find other quizzes for physics and more on quizizz for free please save your changes before editing any questions 1 minute 1 pt what is the total resistance of the circuit in the figure 15 32 ohms 24 17 ohms 70 41 ohms 120 12 ohms multiple choice

*circuit analysis electrical engineering science khan academy* - Feb 28 2023

web about this unit circuit analysis is the process of finding all the currents and voltages in a network of connected components we look at the basic elements used to build circuits and find out what happens when elements are connected together into a circuit

*lecture 5 6 circuit analysis kvl loop analysis* - Nov 27 2022

web solution the circuit can be redrawn as shown below kvl ohm s law loop analysis we looked at kirchhoff s voltage law and applied it for simple circuits containing one loop loop analysis is a systematic procedure based on kvl to solve for currents in more complex circuits loop current analysis involves the following steps

75 dc circuit multiple choice questions mcq with answers - Apr 20 2022

web jun 14 2023 1 what is the formula to calculate the total resistance in a series circuit  $r_{r1} r_2 r_3$  1 r 1 r1 1 r2 1 r3 r r1 r2 r3 r r1 r2 r3 3 2 what is the formula to calculate the total resistance in a parallel circuit  $r_{r1} r_2 r_3$  1 r 1 r1 1 r2 1 r3 r r1 r2 r3 r r1 r2 r3 3 3

circuit analysis overview article khan academy - Dec 29 2022

web written by willy mcallister circuit analysis or solving a circuit means figuring out voltages and currents in each element here s an overview of circuit analysis with some context for the various tools and methods we use to analyze circuits the tools element equations ohm s law etc schematics wires nodes branches loops and meshes

**205 questions with answers in circuit analysis science topic** - Jul 24 2022

web mar 2 2023 question 4 answers feb 3 2023 dear professor scientists and technicians in the field i m looking up on how to determine the charging current in a distribution 15 25 or 35 kv overhead

**e1 1 circuit analysis problem sheet 1 lectures 1 2** - Jun 03 2023

web ver 2427 e1 1 analysis of circuits 2014 e1 1 circuit analysis problem sheet 1 solutions 1 circuit a is a parallel circuit

there are only two nodes and all four components are connected between them circuit b is a series circuit each node is connected to exactly two components and the same current must flow through each 2

*advanced circuit analysis practice khan academy* - Jan 30 2023

web google classroom a student builds the following circuit where the resistance of  $r_1$  is less than  $r_2$  how does the current through the battery compare from when switch s is open i open to when the switch is closed i closed choose 1 answer i open i closed a i open i closed i open i closed b i open i closed

**dc circuits mcqs with answers electrical academia** - Sep 25 2022

web dc circuits mcqs with answers electrical academia this guide covers dc circuits multiple choice questions mcqs with answers and explanation skip to content electrical academia menu basics basic electrical batteries circuits with matlab comparisons digital circuits electrical mcqs electrical q a electronics

*circuit analysis quiz top mcq on circuit analysis network analysis quiz* - Oct 27 2022

web jul 28 2021 in this article i will share circuit analysis quiz questions top mcq on a circuit analysis that is most commonly asked in many online tests etc if you have any doubts related to electrical electronics and computer science then ask questions

**pdf ee3251 electric circuit analysis eca books lecture** - Aug 25 2022

web ee3251 electric circuit analysis eca syllabus unit i basic circuits analysis fundamentals concepts of r l and c elements energy sources ohm s law kirchhoff s laws dc circuits resistors in series and parallel circuits a c circuits average and rms value complex impedance phasor diagram real and reactive power

*200 top electronic circuit analysis eca questions* - Jun 22 2022

web 4 a a transistor has  $f_\alpha$  8mhz and  $\beta$  80 when connected as an amplifier it has stray capacitance of 100pf at the output terminal calculate its upper 3db frequency when rload is i 10k $\Omega$  ii 100k $\Omega$  b discuss the effect of coupling capacitors of a ce amplifier on the overall frequency response of the amplifier

**questions on basic circuit analysis renselaer polytechnic** - Apr 01 2023

web 1 resistive circuits 20 points v r2 3k v v v a v1 freq 1k v ampl 1200mv voff 9v v r3 6k r1 4k v 0 a given the circuit above calculate the dc offset voltage at point a 5 points b for the same circuit calculate the amplitude of the voltage at point a 5 points c what is the current through r1 5 points

[electronic circuit analysis eca jntuh previous objective questions](#) - Feb 16 2022

web electronic circuit analysis eca jntuh previous objective questionstopics covered multistage amplifiers feedback amplifiers oscillatorsprevious and mostly

[electric circuit analysis circuit analysis quiz 1 wikiversity](#) - Aug 05 2023

web sep 19 2019 quiz test 3 amps flow through a 1 ohm resistor what is the voltage a 1v b c 3v d none of the above why do we say the voltage across or the voltage with respect to why can t we just say voltage a voltage is a measure of electric potential difference between two electrical points

*100 electric circuit multiple choice questions mcq with answers* - Oct 07 2023

web oct 4 2021 electric circuit question answers october 4 2021 by wat electrical this article lists 100 electric circuit mcqs for engineering students all the electric circuit questions answers given below includes solution and link

**ec3251 circuit analysis ca notes part a part b important questions** - Mar 20 2022

web you all must have this kind of questions in your mind below article will solve this puzzle of yours just take a look and download the study materials for your preparation ec3251 circuit analysis ca notes part a part b important questions with answers

**electric circuits mcq multiple choice questions sanfoundry** - Sep 06 2023

web 1 circuit variables and elements the section contains multiple choice questions and answers on units voltage and current power electrical resistance kirchoffs law and circuit analysis for dependent sources the international system of units voltage and current power and energy

electrical circuit analysis mcq engineering mcq - Jul 04 2023

web feb 5 2022 multiple choice questions q 1 ideal voltage source should have zero internal resistance infinite internal resistance large value of emf low value of current answer zero internal resistance q 2 ideal voltage sources have zero internal resistance infinite internal resistance large value of emf low value of current

**a basic guide to wrestling an official u s olympic committee** - May 04 2022

web jan 1 2001 a basic guide to wrestling offers a clear concise introduction to wrestling styles classes of competition and the benefits of wrestling it also includes profiles of the 2000 u s olympic wrestling team

**wrestling basics a guide for beginners whatishowtodo com** - Apr 03 2022

web welcome to our blog post on the art of wrestling whether you re a newcomer to the sport or a seasoned grappler this comprehensive guide will provide you with valuable insights into the world of wrestling from understanding the wrestling ring and the importance of proper footwork to mastering fundamental techniques and building strength and

*the beginner s guide to wrestling coachup nation* - Apr 15 2023

web aug 1 2016 wrestling wrestling is an intense sport that requires physical strength endurance and a strong sense of willpower practicing wrestling from a young age can teach aggressiveness as well as improve strength and endurance although wrestling isn t exactly a team sport in the more traditional sense like baseball and soccer the individual

a beginner s guide to pro wrestling from suplexes to t shirt - Feb 01 2022

web feb 20 2020 a beginner s guide to pro wrestling from suplexes to t shirt sales the manual home culture a beginner s guide to pro wrestling from suplexes to t shirt sales by eric shorey february 20

**a basic guide to wrestling google books** - Sep 08 2022

web discusses wrestling styles classes of competition and the benefits of wrestling and includes photographs of 1996 olympic champions this book seeks to provide you with all you need to know to get started and enjoy the sport of wrestling

*wrestling a guide for beginners wrestling online com* - Nov 10 2022

web jul 21 2020 wrestling is a sport that pertains primarily to combat this involves various types of grappling techniques including pins joint locks takedowns throws and clinch fighting other variants like sombo judo greco roman freestyles and folkstyle are considered theatrical and are purely for entertainment

**3 wrestling concepts all beginners should know evolve daily** - Jun 05 2022

web aug 19 2020 the basic moves in wrestling include penetration step this is the first movement you make as you look to score on your opponent stance your stance is the posture you take on the mat the common stances used in wrestling are staggered and parallel level change this refers to lowering or raising your hips as you attempt a

**a basic guide to wrestling book 1998 worldcat org** - Dec 11 2022

web get this from a library a basic guide to wrestling suzanne ledeboer traces the history of wrestling and looks at its inclusion in the olympics examines the seven basic skills of the sport provides an overview of a wrestling

*a basic guide to wrestling united states olympic committee* - Jan 12 2023

web complete with up to date results from the 2000 olympic games in sydney australia these official u s olympic committee publications take a fascinating look at how to play sports the history of sports and everything in between a basic guide to wrestling offers a clear concise introduction to wrestling styles classes of competition and the

**wrestling for dummies cheat sheet** - Mar 14 2023

web jan 19 2022 the fundamentals of wrestling your success in wrestling is a direct result of your expertise in the fundamentals after you master the following basic aspects of the sport you can build on them to expand your wrestling repertoire stance your body position and posture on the mat can be parallel or staggered

the ultimate wrestling beginner guide youtube - May 16 2023

web the is the ultimate beginner wrestling guide i go over everything you need to know when joining the sport of wrestling being a wrestling beginner can be tough as it is so that s why i

**a basic guide to wrestling united states olympic committee** - Jul 18 2023

web discusses the olympic sport of wrestling including required skills what takes place during the match itself differences in scholastic and collegiate wrestling and tips on safety and first aid results of the 2000 olympic games in sydney australia

profiles of u s wrestling team members freestyle and greco roman wrestling women s

[a guide to wrestling for beginners sportzbits](#) - Feb 13 2023

web apr 10 2020 a guide to wrestling for beginners by james cooper april 10 2020 combat sports if you re considering getting into wrestling then this sport may seem very intimidating to you it does require a lot of physical strength endurance and willpower

*how to wrestle 12 steps with pictures wikihow* - Aug 19 2023

web sep 21 2023 wrestling is a popular physical sport which you can compete in at the high school college amateur or professional level if you re interested in picking up a few wrestling basics joining a local wrestling league or your high school wrestling team is

*a basic guide to wrestling olympic guides goodreads* - Jul 06 2022

web briefly traces the history of wrestling in olympic competition explains the seven basic wrestling skills and offers advice on participating in the sport 152 pages library binding first published january 1 2001

*beginners guide to wrestling sportsengine* - Oct 09 2022

web the wrestler chooses to start on the bottom he is in a defensive position and has to work to get to a neutral position or get to a position where he is in control during the match a wrestler can score points from any position in many different ways takedown 2 points when the wrestlers are in neutral position one of the wrestlers will

**wrestling basics guide for beginners kids tfg** - Sep 20 2023

web mar 7 2023 whether you re an experienced wrestler looking to brush up on your skills or a complete beginner this guide will provide you with all the information you need to get started we ll cover everything from basic positions and holds to

[a basic guide to wrestling official u s olympic committee](#) - Mar 02 2022

web may 22 1998 buy a basic guide to wrestling official u s olympic committee sports s 2 by united states olympic committee isbn 9781882180776 from amazon s book store everyday low prices and free delivery on eligible orders a basic guide to wrestling official u s olympic committee sports s amazon co uk united states olympic

**what are the 7 basic skills of wrestling a guide wrestle love** - Aug 07 2022

web this article will walk you through the basic skills you should know before venturing into wrestling wrestling allows you to face competitive sports while giving you values like hard work perseverance and discipline

**a basic guide to wrestling by usa olimpic academia edu** - Jun 17 2023

web the united states f10 a basic guide to wrestling dominated in freestyle wrestling competitions at the beginning of the century and has won the most medals of any nation in this style during the last 100 years at the london games 1948 27

nations with a total of 266 athletes competed

*an introduction to economic reasoning amazon com* - Feb 18 2022

web jan 14 2023 introduction to economic reasoning 4th ed by william d rohlf 0 ratings 2 want to read 0 currently reading 0 have read this edition doesn't have a description yet can you add one publish date 1998 publisher addison wesley language english pages 565 previews available in english

an introduction to economic reasoning mises institute - Jun 24 2022

web introduction to economic reasoning addison wesley series in economics rohlf william d jr amazon com tr kitap

introduction to economic reasoning by william d rohlf open - Jan 20 2022

web introduction to economic reasoning an choose paperback introduction to economic reasoning an by gordon david average rating aimed at teaching the intelligent young reader how to think about economic problems in a manner consistent with the austrian school tradition to support mises description table of contents

*introduction to economic reasoning rohlf william d free* - Jul 26 2022

web to these schools very rarely engaged in deductive reasoning their attitude was take down what i give you or get out the economics followed in this book is that of the austrian school founded by carl menger in the nineteenth century and xii an introduction to economic reasoning gustav schmoller 1838 1917 werner sombart 1863 1941

**introduction to economic reasoning rohlf william d free** - Oct 29 2022

web we begin the course with a brief overview of economic history then consider technological progress the employment relationship consumer demand production by firms inequality bargaining power public policy growth inflation economic fluctuations and

aeco 13a00 introduction to economic reasoning sciences po - Jul 06 2023

web aeco 13a00 introduction to economic reasoning principles of economics course description the economics course at the undergraduate level is an introduction to the main contemporaneous issues in economics

**introduction to economic reasoning international edition** - Nov 29 2022

web introduction to economic reasoning by rohlf william d publication date 1998 topics economics united states economic conditions publisher reading mass addison wesley collection inlibrary printdisabled internetarchivebooks contributor internet archive language english xxvi 565 p 23 cm

**introduction to economic reasoning addison wesley series in** - May 24 2022

web jan 1 2010 introduction to economic reasoning 8th edition by william rohlf author 17 ratings

trade offs an introduction to economic reasoning - Mar 02 2023

web introduction to economic reasoning william d rohlf jr 3 36 14 ratings 0 reviews this concise accessible introduction to

economics helps students understand economic issues and become better decision makers

*econ bc1003 introduction to economic reasoning barnard* - Sep 27 2022

web mar 18 2023 introduction to economic reasoning 8th ed by william d rohlf 0 ratings 0 want to read 0 currently reading 0 have read this edition doesn't have a description yet can you add one publish date 2011 publisher addison wesley pearson college div prentice hall language english pages 528 subjects

**economic reasoning and analysis github pages** - Aug 07 2023

web economic reasoning is rather easy to satirize one might want to know for instance what the effect of a policy change a government program to educate unemployed workers an increase in military spending or an enhanced environmental regulation will be on people and their ability to purchase the goods and services they desire

an introduction to economic reasoning mises institute - Mar 22 2022

web sep 6 2016 an introduction to economic reasoning paperback september 6 2016 this high school text published in may 2000 is aimed at teaching the intelligent young reader how to think about economic problems in a manner consistent with the austrian school tradition its chapters on action preference demand and supply value theory

**introduction to economic reasoning institute for new economic** - Sep 08 2023

web introduction to economic reasoning eco bc1003 perry mehrling spring 2010 lehman 2 introduction to economic reasoning this course offers an entry point into the conversation that economists have with one another with policy makers and with the educated public

introduction to economic reasoning by william d rohlf open - Aug 27 2022

web introduction to economic reasoning rohlf william d free download borrow and streaming internet archive by rohlf william d publication date 1996 topics

*1 3 economic reasoning and analysis social sci libretxts* - Oct 09 2023

web jun 20 2023 how do economists reason what is comparative static what assumptions are commonly made by economists about human behavior what do economists mean by marginal what this country needs is some one armed economists harry s truman

**loading interface goodreads** - Nov 17 2021

web oct 30 2023 next post fact sheet biden harris administration announces historic investment to bolster nation's electric grid infrastructure cut energy costs for families and create good paying jobs fact

**fact sheet president the white house** - Oct 17 2021

*introduction to economic reasoning goodreads* - Feb 01 2023

web apr 7 2021 economics in one virus an introduction to economic reasoning through covid 19 ryan a bourne cato institute  
apr 7 2021 business economics 314 pages a truly excellent book that

**introduction to economic reasoning amazon com** - Apr 22 2022

web jul 20 2000 subjectivism value and exchange this high school text published in may 2000 is aimed at teaching the intelligent young reader how to think about economic problems in a manner consistent with the austrian school tradition

overview of economic reasoning and terminology - Jun 05 2023

web mar 19 2016 adam smith is usually credited with being the father of modern day economics and with good reason with the publication of the wealth of nations in 1776 smith introduced the world to much of the framework that underlies the way that economists think about problems and issues the wealth of nations is among the most highly cited

economic reasoning principles foundation for teaching - May 04 2023

web economic reasoning principles people face tradeoffs scarcity exists and it doesn't go away because resources are limited people must make choices people economize people choose the alternatives that they perceive to offer the greatest excess of benefits over costs all choices involve costs

*economics in one virus an introduction to economic reasoning* - Dec 31 2022

web with a goal of encouraging students to become informed decision makers introduction to economic reasoning seventh edition provides a non technical concise introduction to basic economic theories that is ideal for a one semester course

**introduction to economic reasoning 7th edition amazon com** - Apr 03 2023

web mar 2 2007 with a goal of encouraging readers to become informed decision makers introduction to economic reasoning seventh edition provides a non technical concise introduction to basic economic theories that is ideal for a

introduction to economic reasoning an mises institute - Dec 19 2021

web discover and share books you love on goodreads