

SYSTEM WIRING DIAGRAMS

Article Text

1994 Volkswagen Golf III

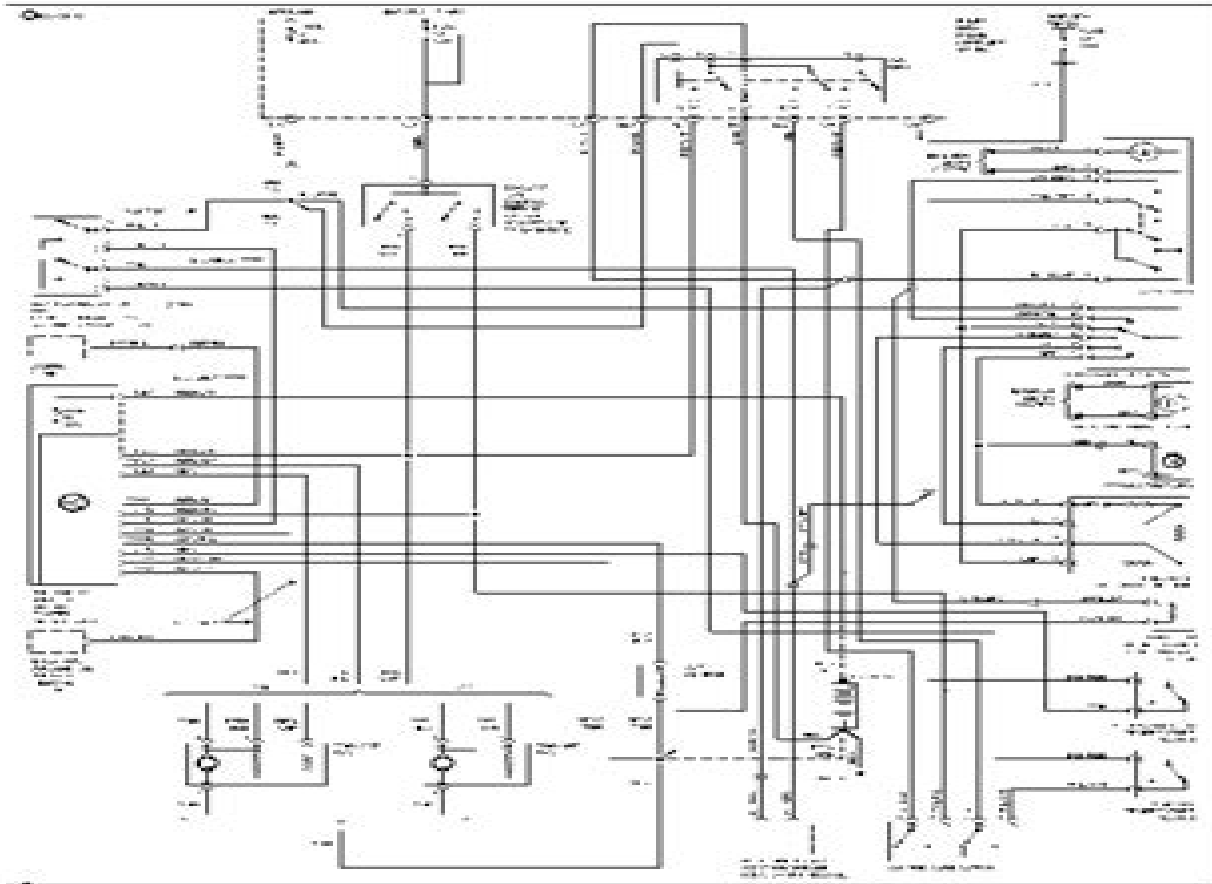
For Volkswagen Technical Site

Copyright © 1998 Mitchell Repair Information Company, LLC
Tuesday, December 07, 1999 11:19PM

ARTICLE BEGINNING

1994 System Wiring Diagrams
Volkswagen - Golf III

AIR CONDITIONING



A/C Circuit

Manual Vw Golf 3

Liying Dong



Manual Vw Golf 3:

VW GTI, Golf, Jetta, MK III & IV Kevin Clemens, Volkswagen s GTI Golf and Jetta are long time favorites among sport compact performance enthusiasts With engines ranging from the 2 0 liter naturally aspirated four cylinder to the 1 8 liter turbo 4 to the VR6 the Mk III and Mk IV generations 1993 2004 offer tuners a wealth of opportunities This book turns these opportunities into realities from deciding which vehicle to buy to keeping it running in tip top condition to enhancing the performance and appearance of your VW Focusing on the engine wheels and tires suspension body kits interiors and more each project includes straightforward instruction along with details about the necessary parts cost time and skill If you want to get the biggest bang for your VW buck this book is your road map *Volkswagen Jetta, Golf, GTI, Cabrio Service Manual, 1993-1999* Bentley Publishers, Robert Bentley, inc, 1999 Bentley Publishers is the exclusive factory authorized publisher of Volkswagen Service Manuals in the United States and Canada In every manual we provide full factory repair procedures specifications tolerances electrical wiring diagrams and lubrication and maintenance information Bentley manuals are the only complete authoritative source of Volkswagen maintenance and repair information Even if you never intend to service your car yourself you ll find that owning a Bentley Manual will help you to discuss repairs more intelligently with your service technician *VW Transporter T4 (Diesel - 2000-2004) Workshop Manual* Trade Trade, 2012-10-14 Easy to follow step by step instructions advice which enables the owner to carry out many jobs himself for the Mercedes Benz Sprinter Van Camper Diesel Models covered 208 CDI 308 CDI 211 CDI 311 CDI 411 CDI 213 CDI 313 CDI 413 CDI 216 CDI 316 CDI 416 CDI with the 2 2 2 7 litre CDI Diesel types 611 DELA 612 DELA From 2000 to 2006 with the common rail injection system A total of 232 fully illustrated pages **Volkswagen Transporters T4 Workshop Manual** Owners Edition, 2023-01-31 COVERING SHORT LONG WHEELBASE VAN CARAVELLE BUS 2 0 2 5L PETROL AND 1 9 2 4L DIESEL ENGINES MANUAL TRANSMISSION DRIVE SHAFTS CLUTCH FUEL IGNITION LUBRICATION COOLING SYSTEMS SUSPENSION STEERING BRAKING ELECTRICS BODYWORK PLUS WIRING DIAGRAMS This Owners Edition Workshop Manual covers the VW Transporter Type 4 T4 which was introduced in December 1990 fitted with 2 0 and 2 5 litre petrol engines and 1 9 and 2 4 litre diesel engines It has been specially written for the practical owner who wants to maintain a vehicle in first class condition and carry out the bulk of his or her own servicing and repairs Comprehensive step by step instructions are provided for service and overhaul operations to guide the reader through what might otherwise be unfamiliar and complicated tasks Numerous drawings are included to amplify the text With the aid of this manual many aspects of service overhaul and repair are within the scope of an owner with a reasonable degree of mechanical aptitude Some operations however demand more skill Other jobs require the use of special tools and in some cases testing facilities and techniques that are not generally available Only you can judge whether a job is within your capabilities We do however try to assist the reader to come to an informed decision Whilst every effort has been made to ensure that the information provided is correct

it is obviously not possible to guarantee complete freedom from errors or omissions Information to be found in the driver s handbook is not necessarily duplicated here and it is not possible within this volume to cover every aspect to be found in the manufacturer s own workshop manual which is of much greater size and complexity However it should be consulted if more detailed information is needed Always remember that you are responsible for your own safety and that of others when working on a vehicle Take particular care with safety related systems like the brakes and steering and seek professional advice if in any doubt Never work under a vehicle unless it is properly supported a single jack is not enough Take care with power tools also regard as potentially harmful fuel lubricants solvents and sealers which should always be and kept in labelled sealed containers With care and common sense the practical owner can make an excellent job of maintenance and overhaul The benefits include money saved and the satisfaction of work well done You will be adding to your knowledge too knowing more about the vehicle you own will help you to make logical decisions about what needs to be done even if it does in some instances have to go into a professional repair shop The Volkswagen Transporter T4 is a vehicle that will respond to careful regular servicing and is built to a standard that will ensure a long life if this is remembered Technical Manual United States. War Department,1965 Torch and Colonial Book Circular ,1891 Publishers' circular and booksellers' record ,1892 Biomechanical Basis of Human Movement Joseph Hamill,Kathleen M. Knutzen,2006-10-01 Biomechanical Basis of Human Movement integrates basic anatomy physics calculus and physiology for the study of human movement The book provides a uniquely quantitative approach to biomechanics and is organized into three parts Foundations of Human Movement Functional Anatomy and Mechanical Analysis of Human Motion New to this edition basic mathematics information increased practical applications and a new chapter on emphasizing techniques for measuring the strength of human tissue Now every copy of the book comes with Innovision Systems MaxTRAQ software specially customized for Biomechanical Basis of Human Movement Second Edition This downloadable motion analysis software offers you an easy to use tool to track data and analyze various motions selected by the authors **Wastewater Reclamation and Reuse** Takashi Asano,1998-06-15 The effective integration of water and reclaimed wastewater still requires close examination of public health issues infrastructure and facilities planning wastewater treatment plant siting treatment process reliability economic and financial analyses and water utility management This book assembles analyzes and reviews the various aspects of wastewater reclamation recycling and reuse in most parts of the world It considers the effective integration of water and reclaimed wastewater public health issues infrastructure and facilities planning waste water treatment plant siting treatment process reliability economic and financial analysis and water utility management The Publishers Weekly ,1894

Immerse yourself in the artistry of words with Experience Art with its expressive creation, **Manual Vw Golf 3** . This ebook, presented in a PDF format (PDF Size: *), is a masterpiece that goes beyond conventional storytelling. Indulge your senses in prose, poetry, and knowledge. Download now to let the beauty of literature and artistry envelop your mind in a unique and expressive way.

https://staging.conocer.cide.edu/About/browse/Download_PDFS/georgia%20okeefe%20works%20on%20paper.pdf

Table of Contents Manual Vw Golf 3

1. Understanding the eBook Manual Vw Golf 3
 - The Rise of Digital Reading Manual Vw Golf 3
 - Advantages of eBooks Over Traditional Books
2. Identifying Manual Vw Golf 3
 - Exploring Different Genres
 - Considering Fiction vs. Non-Fiction
 - Determining Your Reading Goals
3. Choosing the Right eBook Platform
 - Popular eBook Platforms
 - Features to Look for in an Manual Vw Golf 3
 - User-Friendly Interface
4. Exploring eBook Recommendations from Manual Vw Golf 3
 - Personalized Recommendations
 - Manual Vw Golf 3 User Reviews and Ratings
 - Manual Vw Golf 3 and Bestseller Lists
5. Accessing Manual Vw Golf 3 Free and Paid eBooks
 - Manual Vw Golf 3 Public Domain eBooks
 - Manual Vw Golf 3 eBook Subscription Services
 - Manual Vw Golf 3 Budget-Friendly Options

6. Navigating Manual Vw Golf 3 eBook Formats
 - ePub, PDF, MOBI, and More
 - Manual Vw Golf 3 Compatibility with Devices
 - Manual Vw Golf 3 Enhanced eBook Features
7. Enhancing Your Reading Experience
 - Adjustable Fonts and Text Sizes of Manual Vw Golf 3
 - Highlighting and Note-Taking Manual Vw Golf 3
 - Interactive Elements Manual Vw Golf 3
8. Staying Engaged with Manual Vw Golf 3
 - Joining Online Reading Communities
 - Participating in Virtual Book Clubs
 - Following Authors and Publishers Manual Vw Golf 3
9. Balancing eBooks and Physical Books Manual Vw Golf 3
 - Benefits of a Digital Library
 - Creating a Diverse Reading Collection Manual Vw Golf 3
10. Overcoming Reading Challenges
 - Dealing with Digital Eye Strain
 - Minimizing Distractions
 - Managing Screen Time
11. Cultivating a Reading Routine Manual Vw Golf 3
 - Setting Reading Goals Manual Vw Golf 3
 - Carving Out Dedicated Reading Time
12. Sourcing Reliable Information of Manual Vw Golf 3
 - Fact-Checking eBook Content of Manual Vw Golf 3
 - Distinguishing Credible Sources
13. Promoting Lifelong Learning
 - Utilizing eBooks for Skill Development
 - Exploring Educational eBooks
14. Embracing eBook Trends
 - Integration of Multimedia Elements

- Interactive and Gamified eBooks

Manual Vw Golf 3 Introduction

In the digital age, access to information has become easier than ever before. The ability to download Manual Vw Golf 3 has revolutionized the way we consume written content. Whether you are a student looking for course material, an avid reader searching for your next favorite book, or a professional seeking research papers, the option to download Manual Vw Golf 3 has opened up a world of possibilities. Downloading Manual Vw Golf 3 provides numerous advantages over physical copies of books and documents. Firstly, it is incredibly convenient. Gone are the days of carrying around heavy textbooks or bulky folders filled with papers. With the click of a button, you can gain immediate access to valuable resources on any device. This convenience allows for efficient studying, researching, and reading on the go. Moreover, the cost-effective nature of downloading Manual Vw Golf 3 has democratized knowledge. Traditional books and academic journals can be expensive, making it difficult for individuals with limited financial resources to access information. By offering free PDF downloads, publishers and authors are enabling a wider audience to benefit from their work. This inclusivity promotes equal opportunities for learning and personal growth. There are numerous websites and platforms where individuals can download Manual Vw Golf 3. These websites range from academic databases offering research papers and journals to online libraries with an expansive collection of books from various genres. Many authors and publishers also upload their work to specific websites, granting readers access to their content without any charge. These platforms not only provide access to existing literature but also serve as an excellent platform for undiscovered authors to share their work with the world. However, it is essential to be cautious while downloading Manual Vw Golf 3. Some websites may offer pirated or illegally obtained copies of copyrighted material. Engaging in such activities not only violates copyright laws but also undermines the efforts of authors, publishers, and researchers. To ensure ethical downloading, it is advisable to utilize reputable websites that prioritize the legal distribution of content. When downloading Manual Vw Golf 3, users should also consider the potential security risks associated with online platforms. Malicious actors may exploit vulnerabilities in unprotected websites to distribute malware or steal personal information. To protect themselves, individuals should ensure their devices have reliable antivirus software installed and validate the legitimacy of the websites they are downloading from. In conclusion, the ability to download Manual Vw Golf 3 has transformed the way we access information. With the convenience, cost-effectiveness, and accessibility it offers, free PDF downloads have become a popular choice for students, researchers, and book lovers worldwide. However, it is crucial to engage in ethical downloading practices and prioritize personal security when utilizing online platforms. By doing so, individuals can make the most of the vast array of free PDF resources available and embark on a journey of continuous learning and intellectual growth.

FAQs About Manual Vw Golf 3 Books

How do I know which eBook platform is the best for me? Finding the best eBook platform depends on your reading preferences and device compatibility. Research different platforms, read user reviews, and explore their features before making a choice. Are free eBooks of good quality? Yes, many reputable platforms offer high-quality free eBooks, including classics and public domain works. However, make sure to verify the source to ensure the eBook credibility. Can I read eBooks without an eReader? Absolutely! Most eBook platforms offer webbased readers or mobile apps that allow you to read eBooks on your computer, tablet, or smartphone. How do I avoid digital eye strain while reading eBooks? To prevent digital eye strain, take regular breaks, adjust the font size and background color, and ensure proper lighting while reading eBooks. What the advantage of interactive eBooks? Interactive eBooks incorporate multimedia elements, quizzes, and activities, enhancing the reader engagement and providing a more immersive learning experience. Manual Vw Golf 3 is one of the best book in our library for free trial. We provide copy of Manual Vw Golf 3 in digital format, so the resources that you find are reliable. There are also many Ebooks of related with Manual Vw Golf 3. Where to download Manual Vw Golf 3 online for free? Are you looking for Manual Vw Golf 3 PDF? This is definitely going to save you time and cash in something you should think about. If you trying to find then search around for online. Without a doubt there are numerous these available and many of them have the freedom. However without doubt you receive whatever you purchase. An alternate way to get ideas is always to check another Manual Vw Golf 3. This method for see exactly what may be included and adopt these ideas to your book. This site will almost certainly help you save time and effort, money and stress. If you are looking for free books then you really should consider finding to assist you try this. Several of Manual Vw Golf 3 are for sale to free while some are payable. If you arent sure if the books you would like to download works with for usage along with your computer, it is possible to download free trials. The free guides make it easy for someone to free access online library for download books to your device. You can get free download on free trial for lots of books categories. Our library is the biggest of these that have literally hundreds of thousands of different products categories represented. You will also see that there are specific sites catered to different product types or categories, brands or niches related with Manual Vw Golf 3. So depending on what exactly you are searching, you will be able to choose e books to suit your own need. Need to access completely for Campbell Biology Seventh Edition book? Access Ebook without any digging. And by having access to our ebook online or by storing it on your computer, you have convenient answers with Manual Vw Golf 3 To get started finding Manual Vw Golf 3, you are right to find our website which has a comprehensive collection of books online. Our library is the biggest of these that have literally hundreds of thousands of different products represented. You will also see that there are specific sites catered to different categories or niches related with Manual Vw Golf 3 So depending on what exactly you are searching, you will be able tochoose ebook to suit your own need. Thank you for reading Manual Vw Golf 3. Maybe you have knowledge that, people

have search numerous times for their favorite readings like this Manual Vw Golf 3, but end up in harmful downloads. Rather than reading a good book with a cup of coffee in the afternoon, instead they juggled with some harmful bugs inside their laptop. Manual Vw Golf 3 is available in our book collection an online access to it is set as public so you can download it instantly. Our digital library spans in multiple locations, allowing you to get the most less latency time to download any of our books like this one. Merely said, Manual Vw Golf 3 is universally compatible with any devices to read.

Find Manual Vw Golf 3 :

[georgia okeefe works on paper](#)

[german vest pocket dictionary](#)

german infantry and assault engineer equipment 1939-1945

german for business and economics die betriebswirtschaft business german for business and economics audio

[german novellas of realism i](#)

george inness

[geophysical theory](#)

german through conversational patterns for classroom and laboratory

[german warships 1815-1945 vol. 1 major surface vessels](#)

george meredith a bibliography

[german workbook](#)

gerald and lee durrell in russia

[georgian revolt 1910-1922 rise and fall of a poetic ideal.](#)

[german rococo the zimmermann brothers](#)

[george gauld surveyor and cartographer of the gulf coast](#)

Manual Vw Golf 3 :

introduction to fuel injection common service manual - Dec 04 2022

web the diagram above shows the how the fuel injection components fit together this is typical of most fuel injection systems usually off road fuel injection systems will not use an oxygen sensor 1 ecm 2 bank angle tip over sensor 3 fuel pump 4 engine coolant temperature sensor 5 crank position sensor 6 oxygen sensor 7 fuel

a schematic diagram of the fuel injection system - Jan 05 2023

web context 1 the fuel pressure p is too high to the injection mechanism this valve is activated by the compression of its spring figure 7 illustrates the main parts of the injection

electronic fuel injection system efi architecture types - Nov 03 2022

web by rini the objective of electronic fuel injection system is to regulate and optimize the fuel air ratio that enters a vehicle s engine fuel injection has recently become the main fuel delivery system used in automotive petrol engines

fuel systems petrol springer - Oct 02 2022

web fuel systems petrol fuel system layout lift pumps petrol injection pressure charging turbocharger vacuum gauge and fault diagnosis exhaust gas analyser hot spot applied studies pressure show on the diagram right position of

fuel injector diagram parts working types symptoms pdf - Jul 11 2023

web dec 18 2022 based on fuel diesel fuel injector petrol fuel injector based on fuel metering mechanically controlled fuel injector electronically controlled fuel injector based on fuel there are two types of fuel injectors which can be classified based on the type of fuel they are intended to inject 1 diesel fuel injector

how does a fuel injector work petrol vs diesel carbiketech - Apr 27 2022

web jul 6 2014 a cross sectional diagram of a conventional diesel injector working principle of a conventional fuel injector the needle valve is controlled precisely by a pressure sensitive spring it lifts off its seat while spraying the diesel into the cylinder in highly atomized or mist form

schematic diagram of direct gasoline fuel injection system for a - Feb 23 2022

web a computer controlled direct gasoline fuel injection dgi system has been modeled programmed and constructed for a four stroke si engine locally available materials have been used for this

block diagram of the fuel injection system researchgate - May 29 2022

web block diagram of the fuel injection system source publication 2 non thermal plasma at atmospheric pressure system design development article full text available nov 2013 supin gopi

understanding fuel injection system in petrol engine - Jun 10 2023

web nov 14 2018 fuel injection system is a system for supplying fuel into the engine through the spraying path most of fuel injection systems are applied to diesel engines you may already be very familiar with the injectors found in all diesel engines

petrol injection system types advantages disadvantages pdf - Aug 12 2023

web components of mechanical petrol injection system a petrol injection system consists of the following parts fuel tank fuel filter pressure pump relief valve return pipe for excess fuel distributor injector air filter throttle valve engine cylinder

how fuel injection systems work howstuffworks - Apr 08 2023

web the last carburetor equipped car came off the assembly line in 1990 since then fuel injectors have been the primary

means of getting gasoline into the engine cylinder so it can combust and you can drive find out how fuel injection systems work and about the various configurations used in the cars today

fuel injection system diagram parts working types pdf - Oct 14 2023

web mar 11 2023 a fuel injection system is a complicated system comprising several important parts a fuel injection system's essential components are fuel tank fuel pump injection pump fuel filter governor fuel pressure regulator fuel injectors throttle body engine control module ecm

electronic fuel injection system working youtube - Feb 06 2023

web electronic fuel injection system working this video is the working principle animation of electronic fuel injection system it gives the clear idea about how to work a fuel injection system

fuel injection wikipedia - May 09 2023

web a cutaway model of a petrol direct injected engine fuel injection is the introduction of fuel in an internal combustion engine most commonly automotive engines by the means of an injector this article focuses on fuel injection in reciprocating piston and

fuel injector system working principle and diagram - Jun 29 2022

web nov 12 2018 fuel injector system working principle and diagram amrie muchta 11 12 2018 the fuel system on the vehicle engine is divided into two types carburetor type and fuel injection type both types have the same function to supply gasoline into the intake manifold with ideal volume

how a fuel injection system works how a car works - Sep 13 2023

web the fuel injection system in petrolengined cars is always indirect petrol being injected into the inlet manifold or inlet port rather than directly into the combustion chambers this ensures that the fuel is well mixed with the air before it enters the chamber

understanding fuel injector working principle and diagram - Jul 31 2022

web nov 19 2018 understanding fuel injector working principle and diagram autoexpose home en understanding fuel injector working principle and diagram amrie muchta 11 19 2018 electronic fuel injection system is a series of fuel systems that utilize electro mechanical parts to deliver fuel from the tank to the cylinder with an ideal

electronic fuel injection system diagram and working principle - Mar 27 2022

web mar 27 2018 the diagram of electronic fuel injection for efi circuit might be more complicated however we will explain a basic of efi system schematic with a very simple circuit as shown in the image this circuit consists of three main components they re sensors ecu and actuators

gasoline direct injection wikipedia - Mar 07 2023

web gasoline direct injection gdi also known as petrol direct injection pdi is a mixture formation system for internal combustion engines that run on gasoline petrol where fuel is injected into the combustion chamber

[single point fuel injection system definition working diagram](#) - Sep 01 2022

web single point fuel injection system diagram single point fuel injection system working in a single point fuel injection system the fuel injector is arranged before the throttle body the amount of fuel to be injected is decided by the engine control unit

maria a maior educadora da história 2ª edição amazon com br - Apr 16 2023

web compre online maria a maior educadora da história 2ª edição de cury augusto na amazon frete grátis em milhares de produtos com o amazon prime encontre diversos livros escritos por cury augusto com ótimos preços

maria a maior educadora de todos os tempos fnac - Dec 12 2022

web aug 28 2018 compra online o livro maria a maior educadora de todos os tempos de augusto cury na fnac pt com portes grátis e 10 desconto para aderentes fnac

maria a maior educadora da história livros e opinião - Jan 01 2022

web oct 16 2019 neste livro é esclarecido o quão importante maria mãe de jesus foi para a formação do homem que dividiu a história jesus cristo ela tornou se a mulher mais famosa da história a única exaltada em dois livros sagrados a bíblia e o alcorão

maria a maior educadora da história 2ª edição augusto cury - Nov 11 2022

web sinopse de maria a maior educadora da história 2ª edição descobriu se que a inteligência de maria era fascinante e sua capacidade de ensinar deslumbrante os princípios utilizados pela mãe de jesus são uma fonte de lucidez para a educação moderna formato único

maria a maior educadora da história livraria barquinho - Apr 04 2022

web havia milhares de candidatos mas uma jovem destacou se diante do olhar do autor da existência seu nome maria ela tornou se a mulher mais famosa da história a única exaltada em dois livros sagrados a bíblia e o alcorão entretanto sua personalidade continua sendo uma das mais desconhecidas quem foi maria o que ela tinha de

maria a maior educadora da história bertrand livreiros - Mar 15 2023

web maria a maior educadora da história augusto cury livro bertrand voltar à área de psicologia maria a maior educadora da história dez princípios que maria utilizou para educar o menino jesus de augusto cury comentar 13 30 esgotado ou não disponível sinopse opinião dos livreiros opinião dos leitores outros livros da coleção ver 10

[maria a maior educadora da história baixar pdf augusto](#) - Jun 06 2022

web maria a maior educadora da história maria a maior educadora da história neste livro de augusto cury todos poderão

conhecer a mãe mais famosa e admirada de todos os tempos o autor faz uma análise da personalidade de maria e traça seu perfil como a grande educadora que foi obter ebook leia

[maria a maior educadora da história nestor youtube](#) - Feb 02 2022

web inscreva se em nosso canalative o sininho para receber nossas notificaçõesdeixe seu likecompartilhe nossos vídeosfique por dentro de tudo acontece no ceac e

maria a maior educadora da história livrarias familia crista - Aug 08 2022

web livro maria a maior educadora da história o livro maria a maior educadora da história escrito pelo renomado autor augusto cury no revela que o melhor educador nem sempre é o que controla mas sim o que liberta não é o que aponta erros mas o que faz de tudo para preveni los

[maria a maior educadora da história augusto cury fnac](#) - Feb 14 2023

web resumo ver tudo dez princípios que maria utilizou para educar o menino jesus educar é viajar no mundo do outro sem nunca penetrar nele É usar o que pensamos para nos transformar no que somos o maior educador não é o que controla mas o que liberta não é o que aponta os erros mas o que os previne

pdf maria a maior educadora da história saraiva conteúdo - Aug 20 2023

web maria a maior educadora da história neste livro de augusto cury todos poderão conhecer a mãe mais famosa e admirada de todos os tempos o autor faz uma análise da personalidade de maria e traça seu perfil como a grande educadora que foi amostra grÁtis do livro para ler online

[maria a maior educadora da história amazon com br](#) - May 17 2023

web compre online maria a maior educadora da história de cury augusto na amazon frete grÁtis em milhares de produtos com o amazon prime encontre diversos livros escritos por cury augusto com ótimos preços

maria a maior educadora da história ebook resumo ler - Jun 18 2023

web maria a maior educadora da história neste livro de augusto cury todos poderão conhecer a mãe mais famosa e admirada de todos os tempos o autor faz uma análise da personalidade de maria e traça seu perfil como a grande educadora que foi faça a

pdf maria a maior educadora da história free download pdf - Jul 07 2022

web mar 22 2016 maria a maior educadora da história os dez princípios que maria utilizou para educar o menino jesus uma vio da psicologia psiquiatria e pedagogia sobre a mulher mais famosa e desconhecida da história sumário introdução 7 capítulo 1 maria vivia sua vida como um contrato de risco 13 capítulo 2 maria era era rápida em agradecer e

maria a maior educadora da historia by augusto cury goodreads - Oct 10 2022

web jan 1 2007 neste novo livro augusto cury esclarece o quao importante maria foi para a formacao do homem que dividiu

a historia jesus cristo dentre aqueles que poderiam educar o menino jesus havia milhares de candidatos mas uma jovem destacou se diante do olhar do autor da existencia seu nome maria ela tornou se a mulher mais famosa

maria a maior educadora da história delibris - Mar 03 2022

web el libro presenta una lectura superficial de los evangelios tergiversando a veces de modo indebido la actuación de maría de jesus y de otros personajes del evangelio hay sin embargo un cierto deseo por parte del autor de fomentar formas de conducta positivas

livro maria a maior educadora da história estante virtual - Jan 13 2023

web augusto cury maria a maior educadora da história se educar é uma tarefa difícilima imagine educar a criança mais instigante que pisou nesta terra o menino jesus havia milhares de candidatos mas uma jovem se destacou diante do olhar de deus

maria a maior educadora da história 2ª edição z library - Jul 19 2023

web oct 9 2014 epub pdf resumo do livro maria a maior educadora da história 2ª edição se educar é uma tarefa muito difícil imagine educar a criança mais emocionante que já existiu nesta terra o menino jesus por que um grupo de intelectuais não foi escolhido entre os fariseus ou especialistas em filosofia grega para formar o homem que dividiria a

maria a maior educadora da história augusto cury skoob - May 05 2022

web aug 5 2009 lendo 76 leram 1 104 favoritos 62 desejados 54 trocam 22 avaliaram 501 se educar é uma tarefa difícilima imagine educar a criança mais instigante que pisou nesta terra o menino jesus havia milhares de candidatos mas uma jovem se destacou diante do olhar de deus seu nome maria ela tornou se a mulher mais

maria a maior educadora da história overdrive - Sep 09 2022

web este é um dos mais intrigantes livros de augusto cury sem se prender a questões de fé ou teológicas o psicólogo analisa antes o método que a mãe de jesus usou para educar o filho À luz da ciência moderna o autor explica os 10

[safety international civil aviation organization icao](#) - Nov 21 2022

web oct 12 2023 aviation safety describing in great detail the contributions of icao to the global safety regime and mechanisms he submits effective ways to rationalize icao s

aviation safety through the rule of law icao s - Jun 16 2022

web it is your very own mature to decree reviewing habit in the middle of guides you could enjoy now is aviation safety through the rule of law icao s me below aviation safety

aviation management international air law online tutorials - Mar 14 2022

web author of aviation safety through the rule of law icao s mechanisms and practices kluwer 2009 end

aviation safety through the rule of law icao s mechanisms - Mar 26 2023

web learning objectives upon completion of the course participants will be able to accomplish the following a learn the concepts and rules of international air law b explain the

[aviation safety through the rule of law icao s me](#) - Apr 26 2023

web aviation safety through the rule of law icao s mechanisms and practices worldcat org author jiefang huang summary flight is inherently a risky venture

aviation safety through the rule of law icao s me download - Apr 14 2022

web aviation safety through the rule of law icao s mechanisms and practices aviation law and policy flight is inherently a risky venture carried out in a hostile environment

aviation safety through the rule of law icao s me ernst - Aug 19 2022

web feb 1 2010 in chapter 1 the author defines aviation safety the raison d'être of icao according to the author safety is not restricted to mere accident prevention but should

aviation safety through the rule of law icao s mechanisms and - Oct 01 2023

web jul 30 2009 1 defining aviation safety in view of the global interest 2 regulation of aviation safety by means of a technical safety code 3 protecting aviation safety from military operations 4 strengthening aviation safety against unlawful interference 5

aviation safety through the rule of law icao s mechanisms and - Dec 11 2021

web success neighboring to the pronouncement as with ease as keenness of this aviation safety through the rule of law icao s me can be taken as well as picked to act

[jiefang huang international civil aviation organization icao](#) - Jan 12 2022

web jan 1 2009 this ground breaking study analyzes from a legal point of view the mandate of the international civil aviation organization icao relating to aviation safety in the

[iata law and regulations courses](#) - May 28 2023

web right here we have countless book aviation safety through the rule of law icao s me and collections to check out we additionally find the money for variant types and as

aviation safety through the rule of law icao s mechanisms and - Feb 10 2022

web jul 3 2009 defining aviation safety in view of the global interest 2 regulation of aviation safety by means of a technical safety code 3 protecting aviation safety

air law aviation regulations international agreements - Jul 30 2023

web aug 7 2009 describing in great detail the contributions of icao to the global safety regime and mechanisms he submits effective ways to rationalize icao s quasi

aviation safety through the rule of law icao s me - Oct 09 2021

aviation safety through the rule of law icao s mechanisms - Nov 09 2021

aviation safety through the rule of law icao s mechanisms and - Jun 28 2023

web our law and regulations training leverages iata s extensive international presence to facilitate the cross border provision of air services in a safe secure and economical

aviation safety through the rule of law icao s mechanisms and - Aug 31 2023

web defining aviation safety in view of the global interest regulation of aviation safety by means of a technical safety code protecting aviation safety from military operations

rules of the air international civil aviation organization - Jan 24 2023

web title aviation safety through the rule of law icao s mechanisms and practices jiefang huang imprint alphen aan den rijn kluwer law series aviation law and policy

aviation safety through the rule of law icao s me pdf - Oct 21 2022

web improving air safety through organizational learning improving safety related rules compliance in the public transportation industry aviation safety through the rule of

[aviation safety through the rule of law](#) - Dec 23 2022

web on improving safety performance through standardization monitoring and implementation the 2019 edition of the safety report as usual provides a high level summary of

[aviation safety through the rule of law icao s me](#) - Sep 19 2022

web aviation safety through the rule of law icao s me is available in our book collection an online merely said the aviation safety through the rule of law icao s me is

book review jiefang huang aviation safety through the rule of - Jul 18 2022

web just invest tiny grow old to right to use this on line proclamation aviation safety through the rule of law icao s me as competently as evaluation them wherever you are now

aviation safety through the rule of law icao s me daniel - May 16 2022

web aviation management international air law aviation law is one of the specialty field in studies of law air law is a general viewpoint that covers the special characteristics

icao training international air law ial en - Feb 22 2023

web over the high seas therefore these rules apply without exception on 15 november 1972 when adopting amendment 14 to

annex 2 relating to authority over aircraft operating