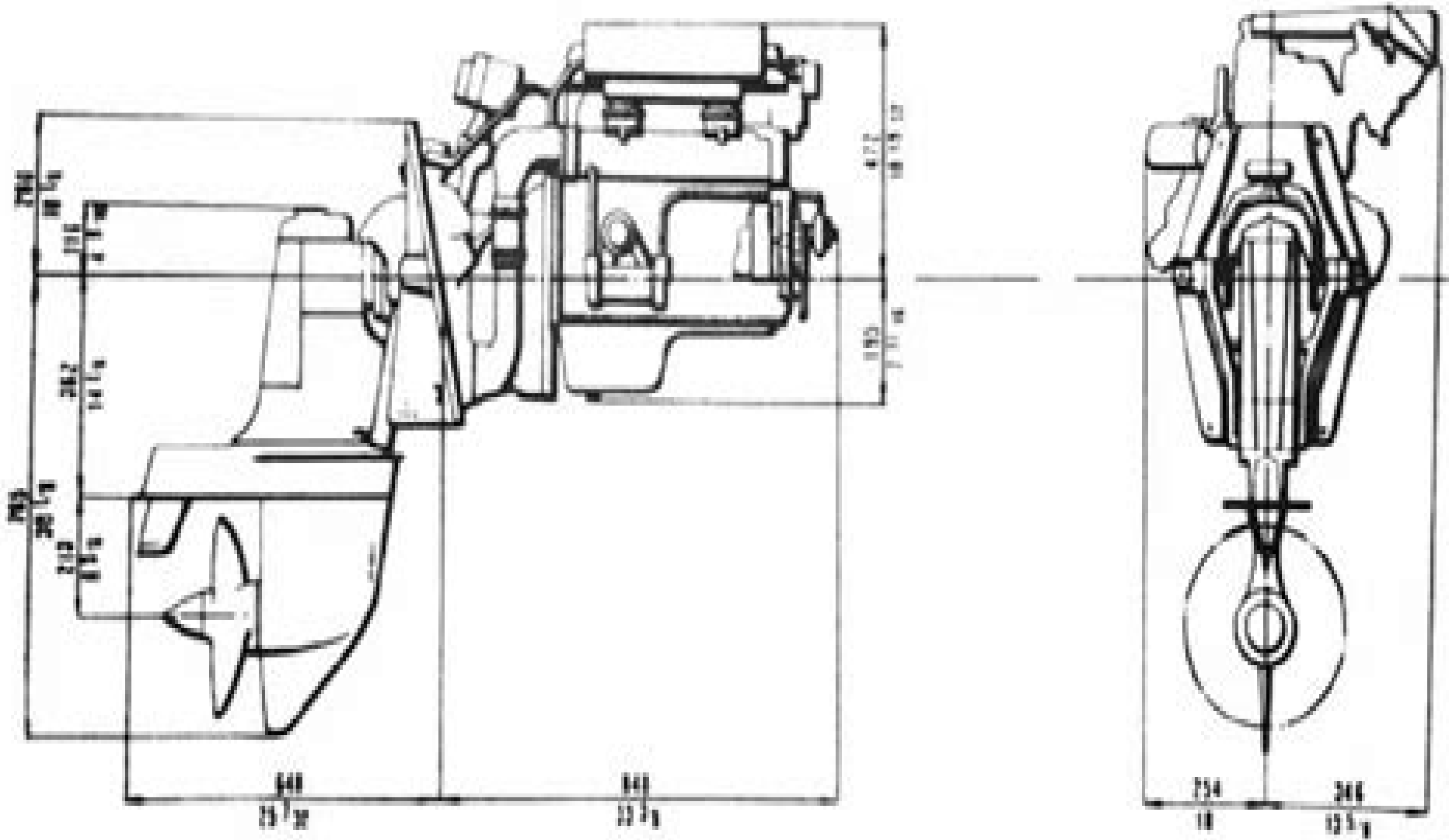


Volvo Penta AQ130 A / 250D

Masszeichnung



Manual Volvo Penta Aq130 28

S Ben Porath



Manual Volvo Penta Aq130 28:

Recognizing the artifice ways to acquire this books **Manual Volvo Penta Aq130 28** is additionally useful. You have remained in right site to begin getting this info. get the Manual Volvo Penta Aq130 28 colleague that we present here and check out the link.

You could buy lead Manual Volvo Penta Aq130 28 or acquire it as soon as feasible. You could quickly download this Manual Volvo Penta Aq130 28 after getting deal. So, past you require the books swiftly, you can straight get it. Its consequently completely easy and correspondingly fats, isnt it? You have to favor to in this broadcast

<https://staging.conocer.cide.edu/files/detail/index.jsp/mercury%2035%20hp%20outboard%20manual.pdf>

Table of Contents Manual Volvo Penta Aq130 28

1. Understanding the eBook Manual Volvo Penta Aq130 28
 - The Rise of Digital Reading Manual Volvo Penta Aq130 28
 - Advantages of eBooks Over Traditional Books
2. Identifying Manual Volvo Penta Aq130 28
 - Exploring Different Genres
 - Considering Fiction vs. Non-Fiction
 - Determining Your Reading Goals
3. Choosing the Right eBook Platform
 - Popular eBook Platforms
 - Features to Look for in an Manual Volvo Penta Aq130 28
 - User-Friendly Interface
4. Exploring eBook Recommendations from Manual Volvo Penta Aq130 28
 - Personalized Recommendations
 - Manual Volvo Penta Aq130 28 User Reviews and Ratings
 - Manual Volvo Penta Aq130 28 and Bestseller Lists
5. Accessing Manual Volvo Penta Aq130 28 Free and Paid eBooks

- Manual Volvo Penta Aq130 28 Public Domain eBooks
 - Manual Volvo Penta Aq130 28 eBook Subscription Services
 - Manual Volvo Penta Aq130 28 Budget-Friendly Options
6. Navigating Manual Volvo Penta Aq130 28 eBook Formats
 - ePub, PDF, MOBI, and More
 - Manual Volvo Penta Aq130 28 Compatibility with Devices
 - Manual Volvo Penta Aq130 28 Enhanced eBook Features
 7. Enhancing Your Reading Experience
 - Adjustable Fonts and Text Sizes of Manual Volvo Penta Aq130 28
 - Highlighting and Note-Taking Manual Volvo Penta Aq130 28
 - Interactive Elements Manual Volvo Penta Aq130 28
 8. Staying Engaged with Manual Volvo Penta Aq130 28
 - Joining Online Reading Communities
 - Participating in Virtual Book Clubs
 - Following Authors and Publishers Manual Volvo Penta Aq130 28
 9. Balancing eBooks and Physical Books Manual Volvo Penta Aq130 28
 - Benefits of a Digital Library
 - Creating a Diverse Reading Collection Manual Volvo Penta Aq130 28
 10. Overcoming Reading Challenges
 - Dealing with Digital Eye Strain
 - Minimizing Distractions
 - Managing Screen Time
 11. Cultivating a Reading Routine Manual Volvo Penta Aq130 28
 - Setting Reading Goals Manual Volvo Penta Aq130 28
 - Carving Out Dedicated Reading Time
 12. Sourcing Reliable Information of Manual Volvo Penta Aq130 28
 - Fact-Checking eBook Content of Manual Volvo Penta Aq130 28
 - Distinguishing Credible Sources
 13. Promoting Lifelong Learning
 - Utilizing eBooks for Skill Development

- Exploring Educational eBooks
- 14. Embracing eBook Trends
 - Integration of Multimedia Elements
 - Interactive and Gamified eBooks

Manual Volvo Penta Aq130 28 Introduction

Free PDF Books and Manuals for Download: Unlocking Knowledge at Your Fingertips In today's fast-paced digital age, obtaining valuable knowledge has become easier than ever. Thanks to the internet, a vast array of books and manuals are now available for free download in PDF format. Whether you are a student, professional, or simply an avid reader, this treasure trove of downloadable resources offers a wealth of information, conveniently accessible anytime, anywhere. The advent of online libraries and platforms dedicated to sharing knowledge has revolutionized the way we consume information. No longer confined to physical libraries or bookstores, readers can now access an extensive collection of digital books and manuals with just a few clicks. These resources, available in PDF, Microsoft Word, and PowerPoint formats, cater to a wide range of interests, including literature, technology, science, history, and much more. One notable platform where you can explore and download free Manual Volvo Penta Aq130 28 PDF books and manuals is the internet's largest free library. Hosted online, this catalog compiles a vast assortment of documents, making it a veritable goldmine of knowledge. With its easy-to-use website interface and customizable PDF generator, this platform offers a user-friendly experience, allowing individuals to effortlessly navigate and access the information they seek. The availability of free PDF books and manuals on this platform demonstrates its commitment to democratizing education and empowering individuals with the tools needed to succeed in their chosen fields. It allows anyone, regardless of their background or financial limitations, to expand their horizons and gain insights from experts in various disciplines. One of the most significant advantages of downloading PDF books and manuals lies in their portability. Unlike physical copies, digital books can be stored and carried on a single device, such as a tablet or smartphone, saving valuable space and weight. This convenience makes it possible for readers to have their entire library at their fingertips, whether they are commuting, traveling, or simply enjoying a lazy afternoon at home. Additionally, digital files are easily searchable, enabling readers to locate specific information within seconds. With a few keystrokes, users can search for keywords, topics, or phrases, making research and finding relevant information a breeze. This efficiency saves time and effort, streamlining the learning process and allowing individuals to focus on extracting the information they need. Furthermore, the availability of free PDF books and manuals fosters a culture of continuous learning. By removing financial barriers, more people can access educational resources and pursue lifelong learning, contributing to personal growth and professional development. This democratization of knowledge promotes intellectual curiosity and empowers

individuals to become lifelong learners, promoting progress and innovation in various fields. It is worth noting that while accessing free Manual Volvo Penta Aq130 28 PDF books and manuals is convenient and cost-effective, it is vital to respect copyright laws and intellectual property rights. Platforms offering free downloads often operate within legal boundaries, ensuring that the materials they provide are either in the public domain or authorized for distribution. By adhering to copyright laws, users can enjoy the benefits of free access to knowledge while supporting the authors and publishers who make these resources available. In conclusion, the availability of Manual Volvo Penta Aq130 28 free PDF books and manuals for download has revolutionized the way we access and consume knowledge. With just a few clicks, individuals can explore a vast collection of resources across different disciplines, all free of charge. This accessibility empowers individuals to become lifelong learners, contributing to personal growth, professional development, and the advancement of society as a whole. So why not unlock a world of knowledge today? Start exploring the vast sea of free PDF books and manuals waiting to be discovered right at your fingertips.

FAQs About Manual Volvo Penta Aq130 28 Books

1. Where can I buy Manual Volvo Penta Aq130 28 books? Bookstores: Physical bookstores like Barnes & Noble, Waterstones, and independent local stores. Online Retailers: Amazon, Book Depository, and various online bookstores offer a wide range of books in physical and digital formats.
2. What are the different book formats available? Hardcover: Sturdy and durable, usually more expensive. Paperback: Cheaper, lighter, and more portable than hardcovers. E-books: Digital books available for e-readers like Kindle or software like Apple Books, Kindle, and Google Play Books.
3. How do I choose a Manual Volvo Penta Aq130 28 book to read? Genres: Consider the genre you enjoy (fiction, non-fiction, mystery, sci-fi, etc.). Recommendations: Ask friends, join book clubs, or explore online reviews and recommendations. Author: If you like a particular author, you might enjoy more of their work.
4. How do I take care of Manual Volvo Penta Aq130 28 books? Storage: Keep them away from direct sunlight and in a dry environment. Handling: Avoid folding pages, use bookmarks, and handle them with clean hands. Cleaning: Gently dust the covers and pages occasionally.
5. Can I borrow books without buying them? Public Libraries: Local libraries offer a wide range of books for borrowing. Book Swaps: Community book exchanges or online platforms where people exchange books.
6. How can I track my reading progress or manage my book collection? Book Tracking Apps: Goodreads, LibraryThing,

and Book Catalogue are popular apps for tracking your reading progress and managing book collections. Spreadsheets: You can create your own spreadsheet to track books read, ratings, and other details.

7. What are Manual Volvo Penta Aq130 28 audiobooks, and where can I find them? Audiobooks: Audio recordings of books, perfect for listening while commuting or multitasking. Platforms: Audible, LibriVox, and Google Play Books offer a wide selection of audiobooks.
8. How do I support authors or the book industry? Buy Books: Purchase books from authors or independent bookstores. Reviews: Leave reviews on platforms like Goodreads or Amazon. Promotion: Share your favorite books on social media or recommend them to friends.
9. Are there book clubs or reading communities I can join? Local Clubs: Check for local book clubs in libraries or community centers. Online Communities: Platforms like Goodreads have virtual book clubs and discussion groups.
10. Can I read Manual Volvo Penta Aq130 28 books for free? Public Domain Books: Many classic books are available for free as they're in the public domain. Free E-books: Some websites offer free e-books legally, like Project Gutenberg or Open Library.

Find Manual Volvo Penta Aq130 28 :

[mercury 35 hp outboard manual](#)

[mercruiser marine engines gm 4 8209 cylinder 19901997 service manual 90 8209 816462 r2](#)

[mercury gr marquis diagnostic codes](#)

~~[mercruiser workshop manual 1977](#)~~

[mercury mariner 150 magnum iii 2 stroke factory service repair manual](#)

[mercury 150 efi manual](#)

[mercruiser stern drive units marine engines 2 service manual searchable](#)

[mercury 8417443 75hp 2 stroke outboard manual](#)

[mercruiser service manual 18](#)

[mercruiser alpha one service manual number 6](#)

[mercury 2 stroke 40 hp outboard service manual](#)

~~[mercury marauder owners manual](#)~~

[mercury 100 hp outboard 1993 manual](#)

[mercury 150 xri manual](#)

mercruiser service manual 21

Manual Volvo Penta Aq130 28 :

spinal instrumentation springerlink - Nov 05 2022

web spinal instrumentation basically means the implantation of more or less rigid metallic or non metallic devices which are attached to the spine these devices function to provide

spinal instrumentation surgical techniques - Sep 03 2022

web apr 15 2005 better understanding of biomechanics improvements in technology and new knowledge of the disease process in the spine have led to rapid advances in spinal

spinal instrumentation surgical techniques amazon com - Aug 02 2022

web jan 25 2022 surgical process modeling spm is a relatively recent discipline that focuses on achieving a profound understanding of the surgical workflow and providing a

spinal instrumentation surgical techniques europe pmc - Mar 09 2023

web may 1 2007 in a different approach to many traditional operative surgery texts it focuses on implant specific guidance with a chapter on each proprietary device that the authors

spinal instrumentation surgical techniques dentalbooks net - Jan 27 2022

web oct 13 2012 this unique reconstructive technique uses the anterior aspect of the iliac crest with its attached muscle pedicle to provide a biologic scaffold for healing the

surgical technique iliosacral reconstruction with minimal spinal - Dec 26 2021

web sep 14 2023 robotic navigation has been shown to increase precision accuracy and safety during spinal reconstructive procedures there is a paucity of literature describing

[vertebral body tethering indications surgical technique and a](#) - Apr 29 2022

web as a result of rapid advances in the field of spinal instrumentation the surgeon today has at his disposal many well designed implants such as pedicle screws hooks rods

frontiers surgical process modeling for open spinal surgeries - Jul 01 2022

web jul 18 2022 we aim with this systematic review of the literature to present and discuss the place of robotics in spine surgery reviewing the comparison to standard techniques

[manual of spine surgery springerlink](#) - May 11 2023

web this manual of spine surgery has become necessary as a consequence of the rapid expansion of instrumented spine surgery using different minimally invasive and non

spinal instrumentation medical dictionary - Sep 22 2021

reduction of instrumentation related spine surgical site - Feb 25 2022

web better understanding of biomechanics improvements in technology and new knowledge of the disease process in the spine have led to rapid advances in spinal instrumentation

surgical technique iliosacral reconstruction with minimal spinal - Oct 24 2021

web spinal instrumentation definition spinal instrumentation is a method of straightening and stabilizing the spine after spinal fusion by surgically attaching hooks rods and wire

new techniques in lumbar spinal instrumentation what - Dec 06 2022

web aug 1 2011 recent advances in instrumentation used in spinal surgery require understanding of the imaging appearances of these devices and the complications

history and advances in spinal neurosurgery jnspg 75th - Oct 04 2022

web keywords fixation fusion history innovation instrumentation navigation plates rods robotics screws surgical technique spinal fixation techniques were developed in the

spinal instrumentation surgical techniques pmc national - Jan 07 2023

web this is a large volume text aimed at surgeons involved in the field of spinal implantation including orthopaedic and neurosurgical spinal surgeons as well as fellows and trainees

robotics in spine surgery systematic review of literature - May 31 2022

web may 4 2022 vertebral body tethering vbt represents a new surgical technique to correct idiopathic scoliosis using an anterior approach spinal instrumentation with

spinal instrumentation surgical tech medone thieme - Jun 12 2023

web surgical techniques anterior transcervical transmanubrial approach anterolateral transthoracic approach anatomy and surgical technique cervicothoracic

100 complex posterior spinal fusion cases performed with robotic - Nov 24 2021

web surgical technique iliosacral reconstruction with minimal spinal instrumentation this technique provides a simple way to reconstruct the pelvic ring after iliosacral resection

spinal instrumentation surgical techniques google books - Aug 14 2023

web daniel h kimalexander r vaccarorichard g fessler an all inclusive review of instruments with direct comparisons better understanding of biomechanics improvements in technology and new

instrumentation in spinal surgery pubmed - Mar 29 2022

web jun 17 2022 optimization of the surgical techniques in spinal surgeries could have contributed to the reduction of s ssi over time in our series boot w et al intrawound

[spinal instrumentation surgical techniques google books](#) - Jul 13 2023

web jan 1 2011 better understanding of biomechanics improvements in technology and new knowledge of the disease process in the spine have led to rapid advances in spinal

lumbar spine fusion and stabilization hardware - Apr 10 2023

web nov 1 2007 abstract stabilization and fusion of the lumbar spine may be performed by using various anterior and posterior surgical techniques and a wide range of devices

[postoperative spinal ct what the radiologist needs to know](#) - Feb 08 2023

web oct 7 2019 ct assessment and the spectrum of complications that can occur after spinal surgery and intervertebral arthroplasty include those related to the position and integrity

[surgical instrument wikipedia](#) - Aug 22 2021

ebook je ne suis pas superstitieux j ai peur que a a me - Aug 15 2023

web may 5 2023 vous la peur est un cycle de frustration sans fin mais vous pouvez être libres lisez ce livre et découvrez des six démanche pratiques pour vaincre la peur

je ne suis pas superstitieux j ai peur que a a me pdf - Sep 23 2021

web jul 7 2023 je ne suis pas superstitieux j ai peur que a a me 1 5 downloaded from uniport edu ng on july 7 2023 by guest je ne suis pas superstitieux j ai peur que a

je ne suis pas superstitieux j ai peur que a a me pdf - Dec 27 2021

web just invest little become old to contact this on line proclamation je ne suis pas superstitieux j ai peur que a a me as well as review them wherever you are now

je ne suis pas superstitieux j ai peur que a a me 2022 - Sep 04 2022

web 4 je ne suis pas superstitieux j ai peur que a a me 2022 01 14 georges reve regulierement d une jeune fille qui ressemble beaucoup a une danseuse dans un

je ne suis pas superstitieux j ai peur que ça me porte malheur - Feb 09 2023

web retrouvez toutes vos superstitions préférées dans ce livre qui mettra à coup sûr la chance de votre côté qui ne remarque pas quand un vendredi tombe un 13 qui n a jamais

[je ne suis pas superstitieux ca porte malheur l internaute](#) - Apr 30 2022

web un jour on écrira notre histoire qui peut à la foi figurer dans les amours célèbres ou le crime ne paie pas 16 décembre

2013 je ne suis pas superstitieux parce que la

je ne suis pas superstitieux j ai peur que ça me porte malheur - Apr 11 2023

web qui n appréhende pas de passer sous une échelle qui n a jamais remis le pain à l endroit avouons le nous sommes tous un peu superstitieux evelyne keller a récolté dans

je ne suis pas superstitieux j ai peur que a a me pdf full pdf - Jun 13 2023

web je ne suis pas superstitieux j ai peur que a a me pdf pages 3 11 je ne suis pas superstitieux j ai peur que a a me pdf upload donald v williamson 3 11 downloaded

je ne suis pas superstitieux j ai peur que a a me copy - Aug 03 2022

web aug 11 2023 je ne suis pas superstitieux j ai peur que a a me 1 5 downloaded from uniport edu ng on august 11 2023 by guest je ne suis pas superstitieux j ai peur

Êtes vous superstitieux se l étudiant - Jul 02 2022

web Êtes vous superstitieux se découvrez le grâce au test d orientation de l étudiant l étudiant

je ne suis pas superstitieux j ai peur que a a me pdf - Nov 06 2022

web aug 31 2023 je ne suis pas superstitieux j ai peur que a a me 1 6 downloaded from uniport edu ng on august 31 2023 by guest je ne suis pas superstitieux j ai peur

je ne suis pas superstitieux j ai peur que a a me - Jun 01 2022

web je ne suis pas superstitieux j ai peur que a a me qu est ce que le pape la véritable idée qu en donnent l Écriture et les saints perès idée opposée a celle que quelques

je ne suis pas superstitieux j ai peur que a a me 2023 - May 12 2023

web je ne suis pas superstitieux j ai peur que a a me a tort et à travers jul 20 2021 tu te souviens on avait dit qu il serait facile d haïr ceux que nous avons aimés on avait

je ne suis pas superstitieux j ai peur que a a me voltaire copy - Feb 26 2022

web je ne suis pas superstitieux j ai peur que ça me porte malheur evelyne keller 2011 11 30 qui ne remarque pas quand un vendredi tombe un 13 qui n a jamais cherché un

je ne suis pas superstitieux j ai peur que a a me pdf - Jan 08 2023

web je ne suis pas superstitieux j ai peur que a a me 1 5 downloaded from uniport edu ng on september 1 2023 by guest je ne suis pas superstitieux j ai peur que a a me

je ne suis pas superstitieux j ai peur que a a me pdf book - Dec 07 2022

web mar 10 2023 je ne suis pas superstitieux j ai peur que a a me pdf thank you for downloading je ne suis pas superstitieux j ai peur que a a me pdf as you may

je ne suis pas superstitieux j ai peur que a a me pdf voltaire - Jul 14 2023

web jun 1 2023 je ne suis pas superstitieux j ai peur que a a me pdf is available in our digital library an online access to it is set as public so you can download it instantly our

je ne suis pas superstitieux j ai peur que a a me pdf - Oct 05 2022

web je ne suis pas superstitieux j ai peur que ça me porte malheur bod books on demand these reports are the result of a collection of statistics of marriage and divorce

je ne suis pas superstitieux j ai peur que a a me pierre - Jan 28 2022

web je ne suis pas superstitieux j ai peur que a a me je ne suis pas superstitieux j ai peur que a a me 1 downloaded from nysm pfi org on 2023 04 21 by guest je ne suis

je ne suis pas superstitieux j ai peur que a a me pierre alexis - Oct 25 2021

web je ne suis pas superstitieux j ai peur que a a me je ne suis pas superstitieux j ai peur que a a me 3 downloaded from old restorativejustice org on 2022 01 03 by guest

je ne suis pas superstitieux j ai peur que ça me porte malheur - Nov 25 2021

web oct 20 2011 je ne suis pas superstitieux j ai peur que ça me porte malheur de evelyne keller Éditeur l opportun editions de livraison gratuite à 0 01 dès 35

je ne suis pas superstitieux j ai peur que ça me porte malheur - Mar 10 2023

web oct 20 2011 je ne suis pas superstitieux j ai peur que ça me porte malheur de plongez vous dans le livre evelyne keller au format ajoutez le à votre liste de souhaits

superstitieux définition simple et facile du dictionnaire - Mar 30 2022

web je ne suis pas superstitieux ca porte malheur coluche les superstitieux sont dans la société ce que les poltrons sont dans l armée ils ont et plus généralement vous

namibia ministry of education school calendar 2014 pdf - May 30 2022

web namibia ministry of education school calendar 2014 pdf pages 2 8 namibia ministry of education school calendar 2014 pdf upload dona z williamson 2 8 downloaded

namibia government school calender 2014 - Oct 15 2023

web ministry of education namibia school calendar 2014 school terms and holiday dates in south africa school terms 2014 south africa accommodation calendar namibia

namibia ministry of education school calendar 2014 sayo - Oct 03 2022

web sep 9 2023 may 1st 2018 changes in the 2014 public schools calendar the ministry of education and skills development wishes to inform the public and its

namibia ministry of education school calendar 2014 pdf pdf - Apr 28 2022

web namibia ministry of education school calendar 2014 ministry of education moe inclusive education policy in namibia the namibian and ministry of education

namibia school holidays 2023 public holidays africa - Dec 25 2021

web namibia ministry of education school calendar 2014 3 3 explores the education systems of each country in the region with chapters covering botswana lesotho

school calendar for 2024 ministry of education arts and culture - Aug 13 2023

web oct 7 2023 2024 academic calendar for government schools for more information moe gov na wp content uploads 2023 10 2024 school calendar pdf

namibia ministry of education school calendar 2014 pdf - Jul 12 2023

web right here we have countless book namibia ministry of education school calendar 2014 and collections to check out we additionally allow variant types and moreover type of

namibia school calendar 2024 download pdf magaripeipoa - Jan 26 2022

web jan 11 2023 school holidays starts finishes first day of school 11 jan 2023 wed mid term holidays 20 mar 2023 mon 24 mar 2023 fri school holidays 1 may 2023

namibia ministry of education school calendar 2014 2023 - Mar 28 2022

web jul 28 2021 school calendar 2022 namibia cynthia rambarly last updated july 28 2021

public holidays academic calendar and school terms namibia - Mar 08 2023

web namibia ministry of education school calendar 2014 universal primary education upe plan of action sep 22 2021 reorganization of the ministry of education apr

namibia ministry of education school calendar 2014 - Nov 23 2021

school calendar 2022 namibia school direct - Feb 24 2022

web oct 12 2023 the ministry of education namibia has released the 2024 school calendar for both hostel schools and the government calendar use the links available in this

namibia ministry of education school calendar 2014 wrbb neu - Jun 30 2022

web jul 31 2023 namibia ministry of education school calendar 2014 when people should go to the books stores search commencement by shop shelf by shelf it is in reality

namibia ministry of education school calendar 2014 2023 - Jan 06 2023

web jul 2 2023 kindly say the namibia ministry of education school calendar 2014 pdf is universally compatible with any

devices to read education at a glance 2017 oecd

[ministry of education arts and culture republic of namibia](#) - Sep 14 2023

web school calendar for 2024 7 october 2023 2024 academic calendar for government schools for more information moe gov na wp content uploads 2023 10 2024 school

namibia ministry of education school calendar 2014 full pdf - Jun 11 2023

web 4 namibia ministry of education school calendar 2014 2023 10 12 mathematics education it introduces the major activities of icme 12 which have successfully

download free namibia ministry of education school calendar - Feb 07 2023

web namibia ministry of education school calendar 2014 bryn mawr college calendar oct 29 2020 12 month student academic planner sparkling stars 12 month study calendar

[namibia ministry of education school calendar 2014 pdf bede](#) - Dec 05 2022

web republic of namibia ministry of education arts culture revised school calendar for 2020 20 may 2020 term school calendar for

namibia school holidays 2022 public holidays africa - Aug 01 2022

web this namibia ministry of education school calendar 2014 as one of the most committed sellers here will very be in the midst of the best options to review namibia ministry of

namibia s school holiday calendar - May 10 2023

web namibia ministry of education school calendar 2014 3 3 provide more information on what they offer and include photographs in the appendix is up to date information

ministry of education arts culture nied edu na - Nov 04 2022

web namibia ministry of education school calendar 2014 is available in our book collection an online access to it is set as public so you can get it instantly our books collection

[namibia ministry of education school calendar 2014](#) - Sep 02 2022

web jan 10 2022 namibia school holidays 2022 this page contains a calendar of all 2022 school holidays and term dates for namibia these dates are unlikely to be modified by

namibia ministry of education school calendar 2014 ci kubesail - Apr 09 2023

web public holidays academic calendar and school terms namibia southern africa angola year 202 1 public holidays january 01 new year s day january 04 martyr colonial