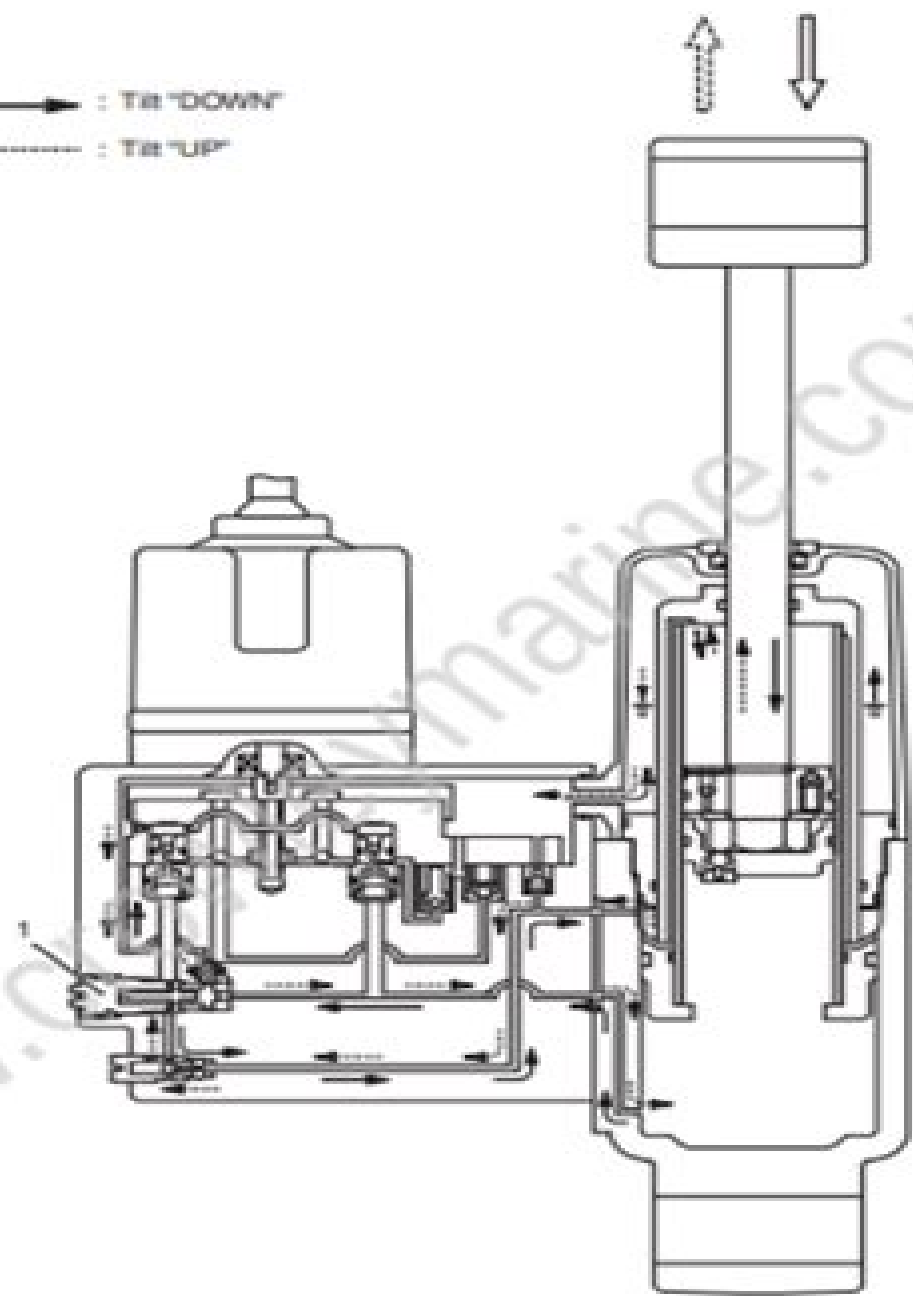


→ : Tilt "DOWN"
← : Tilt "UP"



www.marine.com

Manual Tilt Release Df115

S Ashworth



Manual Tilt Release Df115:

Decoding **Manual Tilt Release Df115**: Revealing the Captivating Potential of Verbal Expression

In an era characterized by interconnectedness and an insatiable thirst for knowledge, the captivating potential of verbal expression has emerged as a formidable force. Its ability to evoke sentiments, stimulate introspection, and incite profound transformations is genuinely awe-inspiring. Within the pages of "**Manual Tilt Release Df115**," a mesmerizing literary creation penned by a celebrated wordsmith, readers set about an enlightening odyssey, unraveling the intricate significance of language and its enduring impact on our lives. In this appraisal, we shall explore the book's central themes, evaluate its distinctive writing style, and gauge its pervasive influence on the hearts and minds of its readership.

<https://staging.conocer.cide.edu/data/detail/fetch.php/Heinrich%20Boell%20Autorenuecher.pdf>

Table of Contents Manual Tilt Release Df115

1. Understanding the eBook Manual Tilt Release Df115
 - The Rise of Digital Reading Manual Tilt Release Df115
 - Advantages of eBooks Over Traditional Books
2. Identifying Manual Tilt Release Df115
 - Exploring Different Genres
 - Considering Fiction vs. Non-Fiction
 - Determining Your Reading Goals
3. Choosing the Right eBook Platform
 - Popular eBook Platforms
 - Features to Look for in an Manual Tilt Release Df115
 - User-Friendly Interface
4. Exploring eBook Recommendations from Manual Tilt Release Df115
 - Personalized Recommendations
 - Manual Tilt Release Df115 User Reviews and Ratings
 - Manual Tilt Release Df115 and Bestseller Lists

5. Accessing Manual Tilt Release Df115 Free and Paid eBooks
 - Manual Tilt Release Df115 Public Domain eBooks
 - Manual Tilt Release Df115 eBook Subscription Services
 - Manual Tilt Release Df115 Budget-Friendly Options
6. Navigating Manual Tilt Release Df115 eBook Formats
 - ePub, PDF, MOBI, and More
 - Manual Tilt Release Df115 Compatibility with Devices
 - Manual Tilt Release Df115 Enhanced eBook Features
7. Enhancing Your Reading Experience
 - Adjustable Fonts and Text Sizes of Manual Tilt Release Df115
 - Highlighting and Note-Taking Manual Tilt Release Df115
 - Interactive Elements Manual Tilt Release Df115
8. Staying Engaged with Manual Tilt Release Df115
 - Joining Online Reading Communities
 - Participating in Virtual Book Clubs
 - Following Authors and Publishers Manual Tilt Release Df115
9. Balancing eBooks and Physical Books Manual Tilt Release Df115
 - Benefits of a Digital Library
 - Creating a Diverse Reading Collection Manual Tilt Release Df115
10. Overcoming Reading Challenges
 - Dealing with Digital Eye Strain
 - Minimizing Distractions
 - Managing Screen Time
11. Cultivating a Reading Routine Manual Tilt Release Df115
 - Setting Reading Goals Manual Tilt Release Df115
 - Carving Out Dedicated Reading Time
12. Sourcing Reliable Information of Manual Tilt Release Df115
 - Fact-Checking eBook Content of Manual Tilt Release Df115
 - Distinguishing Credible Sources
13. Promoting Lifelong Learning

- Utilizing eBooks for Skill Development
 - Exploring Educational eBooks
14. Embracing eBook Trends
- Integration of Multimedia Elements
 - Interactive and Gamified eBooks

Manual Tilt Release Df115 Introduction

Manual Tilt Release Df115 Offers over 60,000 free eBooks, including many classics that are in the public domain. Open Library: Provides access to over 1 million free eBooks, including classic literature and contemporary works. Manual Tilt Release Df115 Offers a vast collection of books, some of which are available for free as PDF downloads, particularly older books in the public domain. Manual Tilt Release Df115 : This website hosts a vast collection of scientific articles, books, and textbooks. While it operates in a legal gray area due to copyright issues, its a popular resource for finding various publications. Internet Archive for Manual Tilt Release Df115 : Has an extensive collection of digital content, including books, articles, videos, and more. It has a massive library of free downloadable books. Free-eBooks Manual Tilt Release Df115 Offers a diverse range of free eBooks across various genres. Manual Tilt Release Df115 Focuses mainly on educational books, textbooks, and business books. It offers free PDF downloads for educational purposes. Manual Tilt Release Df115 Provides a large selection of free eBooks in different genres, which are available for download in various formats, including PDF. Finding specific Manual Tilt Release Df115, especially related to Manual Tilt Release Df115, might be challenging as theyre often artistic creations rather than practical blueprints. However, you can explore the following steps to search for or create your own Online Searches: Look for websites, forums, or blogs dedicated to Manual Tilt Release Df115, Sometimes enthusiasts share their designs or concepts in PDF format. Books and Magazines Some Manual Tilt Release Df115 books or magazines might include. Look for these in online stores or libraries. Remember that while Manual Tilt Release Df115, sharing copyrighted material without permission is not legal. Always ensure youre either creating your own or obtaining them from legitimate sources that allow sharing and downloading. Library Check if your local library offers eBook lending services. Many libraries have digital catalogs where you can borrow Manual Tilt Release Df115 eBooks for free, including popular titles. Online Retailers: Websites like Amazon, Google Books, or Apple Books often sell eBooks. Sometimes, authors or publishers offer promotions or free periods for certain books. Authors Website Occasionally, authors provide excerpts or short stories for free on their websites. While this might not be the Manual Tilt Release Df115 full book , it can give you a taste of the authors writing style. Subscription Services Platforms like Kindle Unlimited or Scribd offer subscription-based access to a wide range of Manual Tilt Release Df115 eBooks, including some popular titles.

FAQs About Manual Tilt Release Df115 Books

How do I know which eBook platform is the best for me? Finding the best eBook platform depends on your reading preferences and device compatibility. Research different platforms, read user reviews, and explore their features before making a choice. Are free eBooks of good quality? Yes, many reputable platforms offer high-quality free eBooks, including classics and public domain works. However, make sure to verify the source to ensure the eBook credibility. Can I read eBooks without an eReader? Absolutely! Most eBook platforms offer webbased readers or mobile apps that allow you to read eBooks on your computer, tablet, or smartphone. How do I avoid digital eye strain while reading eBooks? To prevent digital eye strain, take regular breaks, adjust the font size and background color, and ensure proper lighting while reading eBooks. What the advantage of interactive eBooks? Interactive eBooks incorporate multimedia elements, quizzes, and activities, enhancing the reader engagement and providing a more immersive learning experience. Manual Tilt Release Df115 is one of the best book in our library for free trial. We provide copy of Manual Tilt Release Df115 in digital format, so the resources that you find are reliable. There are also many Ebooks of related with Manual Tilt Release Df115. Where to download Manual Tilt Release Df115 online for free? Are you looking for Manual Tilt Release Df115 PDF? This is definitely going to save you time and cash in something you should think about. If you trying to find then search around for online. Without a doubt there are numerous these available and many of them have the freedom. However without doubt you receive whatever you purchase. An alternate way to get ideas is always to check another Manual Tilt Release Df115. This method for see exactly what may be included and adopt these ideas to your book. This site will almost certainly help you save time and effort, money and stress. If you are looking for free books then you really should consider finding to assist you try this. Several of Manual Tilt Release Df115 are for sale to free while some are payable. If you arent sure if the books you would like to download works with for usage along with your computer, it is possible to download free trials. The free guides make it easy for someone to free access online library for download books to your device. You can get free download on free trial for lots of books categories. Our library is the biggest of these that have literally hundreds of thousands of different products categories represented. You will also see that there are specific sites catered to different product types or categories, brands or niches related with Manual Tilt Release Df115. So depending on what exactly you are searching, you will be able to choose e books to suit your own need. Need to access completely for Campbell Biology Seventh Edition book? Access Ebook without any digging. And by having access to our ebook online or by storing it on your computer, you have convenient answers with Manual Tilt Release Df115 To get started finding Manual Tilt Release Df115, you are right to find our website which has a comprehensive collection of books online. Our library is the biggest of these that have literally hundreds of thousands of different products represented. You will also see that there are specific sites catered to different categories or niches related with Manual Tilt Release Df115 So depending on what exactly you are searching, you will be able to choose ebook to suit your

own need. Thank you for reading Manual Tilt Release Df115. Maybe you have knowledge that, people have search numerous times for their favorite readings like this Manual Tilt Release Df115, but end up in harmful downloads. Rather than reading a good book with a cup of coffee in the afternoon, instead they juggled with some harmful bugs inside their laptop. Manual Tilt Release Df115 is available in our book collection an online access to it is set as public so you can download it instantly. Our digital library spans in multiple locations, allowing you to get the most less latency time to download any of our books like this one. Merely said, Manual Tilt Release Df115 is universally compatible with any devices to read.

Find Manual Tilt Release Df115 :

heinrich boell autorenuecher

heloise hints for a healthy planet

heaven cant wait spellbound silhouette desire no 929

hellas and rome the story of greco-roman civilization

hegels phenomenology dialogues on the life of mind

~~hells best kept secret~~

hell-roarin forty-niners the

heavy gear duelists handbook champions and dare devils second edition

hello and good-bye - teachers edition.

hegel kierkegaard marx

helicopter man

hectors war

heavy equipment the worlds largest machinery

heaven and hell previously published north and south trilogy vol 3

~~heaven beguile the tired~~

Manual Tilt Release Df115 :

A New Catechism: Catholic Faith For Adults The language is a reflection of the core of our faith: God's Unconditional Love. It is beautiful to read and powerful to meditate on. If only Vatican II were ... United States Catholic Catechism for Adults The United States Catholic Catechism for Adults presents the teaching of the Church in a way that is inculturated for adults in the United States. It does this ... New Catechism: Catholic Faith for Adults by Crossroads New Catechism: Catholic Faith for

Adults · Book overview. Distills the essence of the Christian message for members of the Roman ... Dutch Catechism ... Catholic Faith for Adults) was the first post-Vatican II Catholic catechism. It was commissioned and authorized by the Catholic hierarchy of the Netherlands. This Is Our Faith (Revised and Updated Edition): A Catholic ... This Is Our Faith (Revised and Updated Edition) A Catholic Catechism for Adults ; 50-99 copies, \$14.78 each ; 100+ copies, \$14.21 each ; Format: Paperback book. U.S. Catholic Catechism for Adults The United States Catholic Catechism for Adults is an aid and a guide for individuals and small groups to deepen their faith. Dive into God's Word. Daily ... A New catechism: Catholic faith for adults Feb 27, 2021 — A line drawing of the Internet Archive headquarters building façade. new catechism catholic faith adults supplement A New Catechism: Catholic Faith for Adults, with supplement by Smyth, Kevin (translator) and a great selection of related books, art and collectibles ... A New catechism : Catholic faith for adults A New catechism : Catholic faith for adults | WorldCat.org. A new catechism : Catholic faith for adults, with supplement A new catechism : Catholic faith for adults, with supplement Available at Main Stacks Library (Request Only) (BX1961 .N5313 1969) ... Financial Accounting - Weygandt - Kimmel - Kieso Financial Accounting - Weygandt - Kimmel - Kieso - Solution Manual Managerial Accounting · 1. Explain the distinguishing features · 2. Identify the three broad ... Solution Manual For Financial And Managerial Accounting ... Jan 23, 2023 — Solution Manual For Financial And Managerial Accounting 4th Edition by Jerry J Weygandt. Financial and Managerial Accounting (4th Edition) Solutions Access the complete solution set for Weygandt's Financial and Managerial Accounting (4th Edition). Financial And Managerial Accounting 4th Edition Textbook ... Unlike static PDF Financial and Managerial Accounting 4th Edition solution manuals or printed answer keys, our experts show you how to solve each problem step- ... Test Bank Solutions for Financial and Managerial ... Solutions, Test Bank, PDF Textbook ebook for Financial and Managerial Accounting 4e 4th Edition by Jerry J. Weygandt, Paul D. Kimmel. Financial and Managerial Accounting 2nd Edition ... Solutions Manual, Answer key, Instructor's Resource Manual, Problems Set, Exercises, ... for all chapters are included. Financial and Managerial Accounting, 2nd ... Financial And Managerial Accounting 15th Edition ... Textbook solutions for Financial And Managerial Accounting 15th Edition WARREN and others in this series. View step-by-step homework solutions for your ... Solution manual for financial and managerial accounting ... Full SOLUTION MANUAL FOR Financial And Managerial Accounting 4th Edition by Jerry J Weygandt, Paul D Kimmel, Jill E Mitchel CHAPTER 1 Accounting in Action ... Financial and Managerial Accounting Textbook Solutions Financial and Managerial Accounting textbook solutions from Chegg, view all supported editions. Financial and Managerial Accounting - 1st Edition Find step-by-step solutions and answers to Financial and Managerial Accounting - 9781118214046, as well as thousands of textbooks so you can move forward ... Teaching Literacy to Learners with Dyslexia: A Multi- ... It offers a structured, cumulative, multi-sensory teaching program for learners with dyslexia, and draws attention to some of the wider aspects of the learning ... Teaching Literacy to Learners with Dyslexia Jun 8, 2022 — This bestselling book for teaching literacy to children and young people

aged 4-16 years with dyslexia and other specific literacy ... Teaching Literacy to Learners with Dyslexia This bestselling book for teaching literacy to children and young people aged 4-16 years with dyslexia and other specific literacy difficulties has been fully ... Teaching Literacy to Learners with Dyslexia Teaching Literacy to Learners with Dyslexia: A Multisensory Approach · Student Resources · The resources on the site have been specifically designed to support ... Teaching literacy to learners with dyslexia : a multisensory ... The second edition of this bestselling book provides a structured multi-sensory programme for teaching literacy to children and young people from 5-18 with ... Teaching Literacy to Learners with Dyslexia: A Multi- ... It offers a structured, cumulative, multi-sensory teaching programme for learners with dyslexia, and draws attention to some of the wider aspects of the ... Teaching Literacy to Learners with Dyslexia This bestselling text offers theoretical detail and depth alongside a programme of activities to implement in practice which can improve literacy levels and ... Teaching Literacy to Learners with Dyslexia 3rd edition Teaching Literacy to Learners with Dyslexia: A Multisensory Approach 3rd Edition is written by Kathleen Kelly; Sylvia Phillips and published by Corwin UK. Teaching literacy to learners with dyslexia : a multisensory ... Provides a structured program--including strategies, activities, reproducible resource sheets, and downloadable materials--for teaching literacy skills to ... Teaching Literacy to Learners with Dyslexia: A Multi- ... Mar 26, 2016 — The Second Edition of this bestselling book provides a structured multi-sensory programme for teaching literacy to children and young people ...