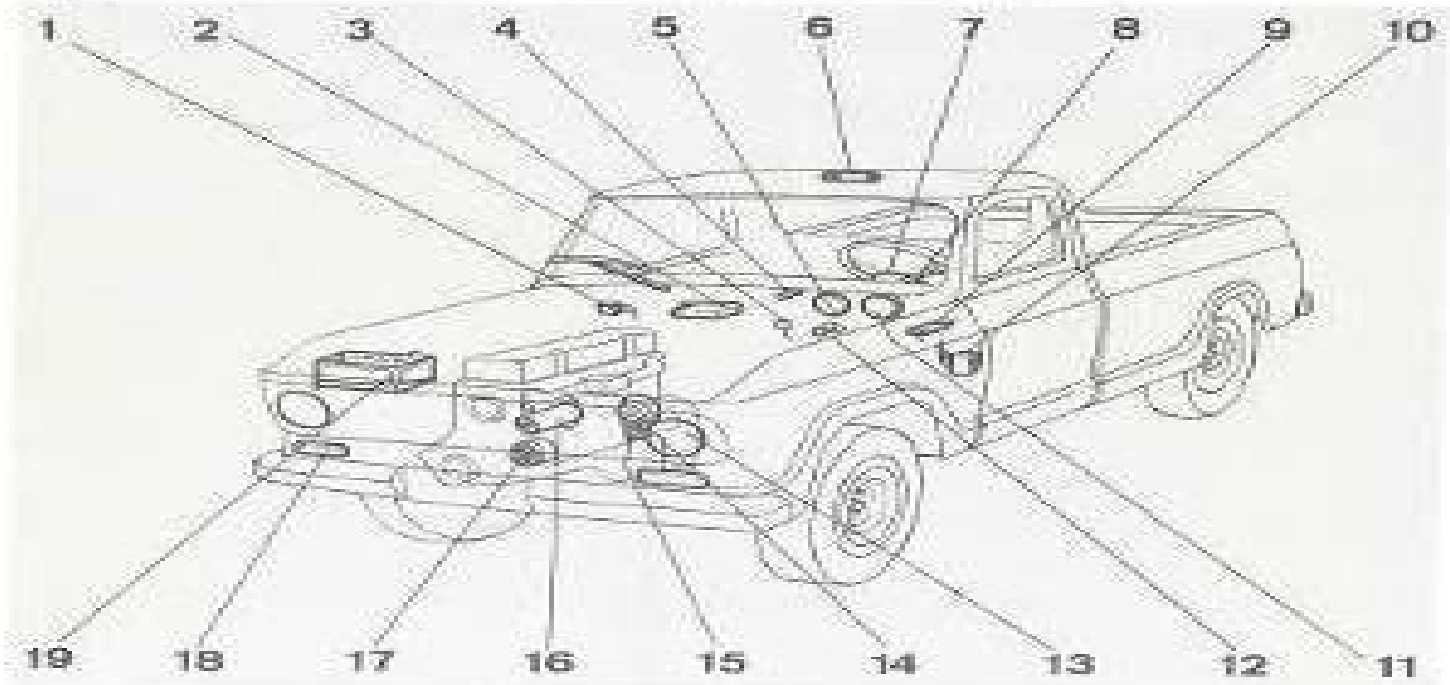


## DIAGRAMA DOS CIRCUITOS ELÉTRICOS

Os circuitos elétricos dos vários sistemas encontram-se neste diagrama, apresentados no tipo de estações, em folha separada, à duas cores. Desdobre-se para ter uma visão geral de parte elétrica do veículo.

Antes de iniciar qualquer trabalho que exija intervenção no sistema elétrico, desligue-se primeiro o cabo-motor para evitar surtos elétricos.

Neste diagrama, os componentes elétricos, bem como sua localização, cores e pontos dos fios, estão convenientemente identificados por legendas e códigos convencionais, cujas tabelas se encontram na local.



COMPONENTES DO SISTEMA ELÉTRICO E SUA POSIÇÃO NO VEÍCULO

- 1. MOTOR DO ALUMINÁRIO E VENTILADOR
- 2. BATERIA
- 3. ALUMINADOR DO PARAFUSO DO MOTOR
- 4. ALUMINADOR DO LANTERIM
- 5. INTERRUPTOR DO LANTERIM
- 6. INTERRUPTOR DO MOTOR

- 7. BATERIA DO MOTOR
- 8. INTERRUPTOR DO ALUMINADOR DO MOTOR
- 9. CÂMBIO DO MOTOR
- 10. BATERIA DO MOTOR
- 11. INTERRUPTOR DO MOTOR
- 12. INTERRUPTOR DO MOTOR

- 13. BATERIA
- 14. BATERIA
- 15. BATERIA DO MOTOR
- 16. INTERRUPTOR DO MOTOR
- 17. INTERRUPTOR DO MOTOR
- 18. INTERRUPTOR DO MOTOR
- 19. INTERRUPTOR DO MOTOR
- 20. INTERRUPTOR DO MOTOR

# Manual Chevrolet C10 197

**Ian Pickup**



## **Manual Chevrolet C10 197:**

Getting the books **Manual Chevrolet C10 197** now is not type of challenging means. You could not deserted going afterward ebook growth or library or borrowing from your contacts to edit them. This is an extremely easy means to specifically acquire guide by on-line. This online pronouncement Manual Chevrolet C10 197 can be one of the options to accompany you past having new time.

It will not waste your time. endure me, the e-book will extremely broadcast you supplementary thing to read. Just invest little times to gain access to this on-line declaration **Manual Chevrolet C10 197** as skillfully as evaluation them wherever you are now.

<https://staging.conocer.cide.edu/results/book-search/index.jsp/Latin%20American%20And%20Caribbean%20Foreign%20Policy.pdf>

## **Table of Contents Manual Chevrolet C10 197**

1. Understanding the eBook Manual Chevrolet C10 197
  - The Rise of Digital Reading Manual Chevrolet C10 197
  - Advantages of eBooks Over Traditional Books
2. Identifying Manual Chevrolet C10 197
  - Exploring Different Genres
  - Considering Fiction vs. Non-Fiction
  - Determining Your Reading Goals
3. Choosing the Right eBook Platform
  - Popular eBook Platforms
  - Features to Look for in an Manual Chevrolet C10 197
  - User-Friendly Interface
4. Exploring eBook Recommendations from Manual Chevrolet C10 197
  - Personalized Recommendations
  - Manual Chevrolet C10 197 User Reviews and Ratings

- Manual Chevrolet C10 197 and Bestseller Lists
- 5. Accessing Manual Chevrolet C10 197 Free and Paid eBooks
  - Manual Chevrolet C10 197 Public Domain eBooks
  - Manual Chevrolet C10 197 eBook Subscription Services
  - Manual Chevrolet C10 197 Budget-Friendly Options
- 6. Navigating Manual Chevrolet C10 197 eBook Formats
  - ePub, PDF, MOBI, and More
  - Manual Chevrolet C10 197 Compatibility with Devices
  - Manual Chevrolet C10 197 Enhanced eBook Features
- 7. Enhancing Your Reading Experience
  - Adjustable Fonts and Text Sizes of Manual Chevrolet C10 197
  - Highlighting and Note-Taking Manual Chevrolet C10 197
  - Interactive Elements Manual Chevrolet C10 197
- 8. Staying Engaged with Manual Chevrolet C10 197
  - Joining Online Reading Communities
  - Participating in Virtual Book Clubs
  - Following Authors and Publishers Manual Chevrolet C10 197
- 9. Balancing eBooks and Physical Books Manual Chevrolet C10 197
  - Benefits of a Digital Library
  - Creating a Diverse Reading Collection Manual Chevrolet C10 197
- 10. Overcoming Reading Challenges
  - Dealing with Digital Eye Strain
  - Minimizing Distractions
  - Managing Screen Time
- 11. Cultivating a Reading Routine Manual Chevrolet C10 197
  - Setting Reading Goals Manual Chevrolet C10 197
  - Carving Out Dedicated Reading Time
- 12. Sourcing Reliable Information of Manual Chevrolet C10 197
  - Fact-Checking eBook Content of Manual Chevrolet C10 197
  - Distinguishing Credible Sources

13. Promoting Lifelong Learning
  - Utilizing eBooks for Skill Development
  - Exploring Educational eBooks
14. Embracing eBook Trends
  - Integration of Multimedia Elements
  - Interactive and Gamified eBooks

### **Manual Chevrolet C10 197 Introduction**

Free PDF Books and Manuals for Download: Unlocking Knowledge at Your Fingertips In today's fast-paced digital age, obtaining valuable knowledge has become easier than ever. Thanks to the internet, a vast array of books and manuals are now available for free download in PDF format. Whether you are a student, professional, or simply an avid reader, this treasure trove of downloadable resources offers a wealth of information, conveniently accessible anytime, anywhere. The advent of online libraries and platforms dedicated to sharing knowledge has revolutionized the way we consume information. No longer confined to physical libraries or bookstores, readers can now access an extensive collection of digital books and manuals with just a few clicks. These resources, available in PDF, Microsoft Word, and PowerPoint formats, cater to a wide range of interests, including literature, technology, science, history, and much more. One notable platform where you can explore and download free Manual Chevrolet C10 197 PDF books and manuals is the internet's largest free library. Hosted online, this catalog compiles a vast assortment of documents, making it a veritable goldmine of knowledge. With its easy-to-use website interface and customizable PDF generator, this platform offers a user-friendly experience, allowing individuals to effortlessly navigate and access the information they seek. The availability of free PDF books and manuals on this platform demonstrates its commitment to democratizing education and empowering individuals with the tools needed to succeed in their chosen fields. It allows anyone, regardless of their background or financial limitations, to expand their horizons and gain insights from experts in various disciplines. One of the most significant advantages of downloading PDF books and manuals lies in their portability. Unlike physical copies, digital books can be stored and carried on a single device, such as a tablet or smartphone, saving valuable space and weight. This convenience makes it possible for readers to have their entire library at their fingertips, whether they are commuting, traveling, or simply enjoying a lazy afternoon at home. Additionally, digital files are easily searchable, enabling readers to locate specific information within seconds. With a few keystrokes, users can search for keywords, topics, or phrases, making research and finding relevant information a breeze. This efficiency saves time and effort, streamlining the learning process and allowing individuals to focus on extracting the information they need. Furthermore, the availability of free PDF books and manuals fosters a culture of continuous learning. By removing

financial barriers, more people can access educational resources and pursue lifelong learning, contributing to personal growth and professional development. This democratization of knowledge promotes intellectual curiosity and empowers individuals to become lifelong learners, promoting progress and innovation in various fields. It is worth noting that while accessing free Manual Chevrolet C10 197 PDF books and manuals is convenient and cost-effective, it is vital to respect copyright laws and intellectual property rights. Platforms offering free downloads often operate within legal boundaries, ensuring that the materials they provide are either in the public domain or authorized for distribution. By adhering to copyright laws, users can enjoy the benefits of free access to knowledge while supporting the authors and publishers who make these resources available. In conclusion, the availability of Manual Chevrolet C10 197 free PDF books and manuals for download has revolutionized the way we access and consume knowledge. With just a few clicks, individuals can explore a vast collection of resources across different disciplines, all free of charge. This accessibility empowers individuals to become lifelong learners, contributing to personal growth, professional development, and the advancement of society as a whole. So why not unlock a world of knowledge today? Start exploring the vast sea of free PDF books and manuals waiting to be discovered right at your fingertips.

### **FAQs About Manual Chevrolet C10 197 Books**

How do I know which eBook platform is the best for me? Finding the best eBook platform depends on your reading preferences and device compatibility. Research different platforms, read user reviews, and explore their features before making a choice. Are free eBooks of good quality? Yes, many reputable platforms offer high-quality free eBooks, including classics and public domain works. However, make sure to verify the source to ensure the eBook credibility. Can I read eBooks without an eReader? Absolutely! Most eBook platforms offer web-based readers or mobile apps that allow you to read eBooks on your computer, tablet, or smartphone. How do I avoid digital eye strain while reading eBooks? To prevent digital eye strain, take regular breaks, adjust the font size and background color, and ensure proper lighting while reading eBooks. What the advantage of interactive eBooks? Interactive eBooks incorporate multimedia elements, quizzes, and activities, enhancing the reader engagement and providing a more immersive learning experience. Manual Chevrolet C10 197 is one of the best book in our library for free trial. We provide copy of Manual Chevrolet C10 197 in digital format, so the resources that you find are reliable. There are also many Ebooks of related with Manual Chevrolet C10 197. Where to download Manual Chevrolet C10 197 online for free? Are you looking for Manual Chevrolet C10 197 PDF? This is definitely going to save you time and cash in something you should think about.

**Find Manual Chevrolet C10 197 :**

**latin american and caribbean foreign policy**

[law and justice in tokugawa japan part iv-b law & justice in tokugawa japan](#)

**law and risk**

[laura dennis.](#)

**latin american identity and constructions of difference hispanic issues**

[law department benchmarks](#)

*latin language 30 latinum a conversation course using a proven self learning method*

~~laughing physiology pathophysiology psychology...~~

~~laughing. a historical selection of american humor~~

**late psalm**

**late last night**

[law of employment](#)

*laughter from the dark a biography of gwyn thomas*

**laurel & hardy movie paperbacks**

[latin cooking a vibrant collection of over 100 delicious recipes](#)

**Manual Chevrolet C10 197 :**

[wein krone wissen help environment harvard edu](#) - Jul 04 2022

web wein krone wissen die eidgenössischen abschiede jun 14 2020 briefwechsel may 06 2022 kraichgauer weinlesebuch dec 13 2022 therese krones apr 12 2020 der

**wein krone wissen pdf tax clone ortax org** - Dec 29 2021

web wein krone wissen pdf pages 3 15 wein krone wissen pdf upload jason i grant 3 15 downloaded from tax clone ortax org on september 3 2023 by jason i grant interact

*wein krone wissen by thomas schrems* - Nov 27 2021

web für wein krone at die 75 besten bilder zu rankhilfen in 2020 garten drei kandidatinnen für die württemberger wein krone drei kandidatinnen für die württemberger wein krone

**wein grundwissen weinzeug de** - Aug 17 2023

web wein hat mit gefühl geschmack und sinneseindrücken zu tun und somit auch mit der eigenen erfahrung und empfindung



jeder mensch nimmt einen wein anders war und

*wein krone wissen by thomas schrems bespoke cityam* - Jun 15 2023

web drei junge frauen eine gelungene vorstellung variantenreichtum ausmacht wetteifern um die krone der braucht

mithelfen alles und eben ein bisschen mehr württembergischen rund

**wein krone wissen assets ceu social** - Sep 18 2023

web wein krone wissen the enigmatic realm of wein krone wissen unleashing the language is inner magic in a fast paced digital era where connections and knowledge

**wein krone wissen cyberlab sutd edu sg** - Oct 07 2022

web wein krone wissen international catalogue of scientific literature 1901 1914 jul 15 2021 schriften von friedrich von gentz ein denkmal von gustav schlesier kleinere

**wein krone wissen dotnbm com** - May 02 2022

web wein krone wissen 3 3 nach woran es gelegen hat dass er sein wissen nicht in die praxis umsetzen konnte er trifft winzer mit unterschiedlichsten philosophien vom

wein krone wissen by thomas schrems - Oct 27 2021

web krone wein ist in mode krone at silena werner verpasst die deutsche wein krone br24 die 52 besten bilder zu wein amp deko wein deko wein hochzeit jüdische hochzeit

**wein krone wissen by thomas schrems liululu** - Apr 13 2023

web wein krone wissen schrems thomas isbn 9783854932062 kostenloser versand für alle bücher mit versand und verkauf duch dabei wird neben dem wissen um wein und

**prowine singapore** - May 14 2023

web part of the prowein world series of leading wines and spirits trade fairs the 5 th edition of prowine singapore returns with a trade focused platform for international wine

bürgermeister und vize legen Ämter nieder kronen zeitung - Jun 03 2022

web wegen persönlicher belastungen die nun ein untragbares maß erreicht hätten tritt lukas schrattenthaler als bürgermeister der gemeinde sulzberg

**wissenschaft forschung nachrichten aktuelles krone at** - Dec 09 2022

web nachrichten zum thema wissenschaft im Überblick mit den aktuellen nachrichten zu wissenschaft und forschung bleiben sie am puls der zeit

weingut kronen hof rheinsteig - Aug 05 2022

web im weingut kronen hof können sie weinproben und eine weinvesper buchen sowie verschieden weine kaufen der kronen

hof ist ein aussiedlungsbetrieb der im jahre

**wein krone wissen by thomas schrems nusantara sch id** - Sep 25 2021

web württemberger wein krone mit wissen und können zur krone rebe amp wein online quiz testen sie ihr wissen über polen

wein krone wissen de schrems thomas bücher

*das weingut kron aus worms abenheim* - Jan 30 2022

web das weingut kron befindet sich in worms abenheim einem beschaulichen dorf am fuße des klausenbergs als reiner familienbetrieb der sich schon seit generationen dem

**wein krone wissen download only cyberlab sutd edu sg** - Jan 10 2023

web wein krone wissen prinz eugen von savoyen zum gipfel des ruhmes tiefes wissen und echte weisheit entwickeln kann um seinen eigenen pfad der unendlichkeit zu

**wein krone wissen stage gapinc com** - Feb 28 2022

web wein krone wissen 1 wein krone wissen ungarns weinbau in seinem ganzen umfange oder vollständige beschreibung sämtlicher berühmter weingebirge des ungarischen

**starkes Übergewicht kann schwangerschaft gefährden** - Mar 12 2023

web wer eine schwangerschaft plant sollte wissen dass auch das gewicht eine rolle spielt zu viel davon kann bluthochdruck diabetes und andere erkrankungen hervorrufen diese

**weicher weinkulinarium weinprobe vom feinsten gasthaus** - Apr 01 2022

web entdecken und genießen sie im rahmen dieses wine and dine 5 wein und speisenkombinationen die familie roiser und weinakademiker stephan jurende für sie

wein krone wissen pdf support ortax org - Nov 08 2022

web introduction wein krone wissen pdf 2023 the german lyric of the baroque in english translation george c schoolfield 1966 forget english aamir r mufti 2016 02

**wein krone wissen pdf help environment harvard edu** - Sep 06 2022

web wein krone wissen recognizing the quirk ways to acquire this books wein krone wissen is additionally useful you have remained in right site to begin getting this info get the

**wein krone wissen by thomas schrems** - Oct 19 2023

web may 28th 2020 wein krone wissen schrems thomas isbn 9783854932062 kostenloser versand für alle bücher mit versand und verkauf duch drei kandidatinnen für die

spanien sprache land und leute auf alpha am 24 11 2023 - Feb 11 2023

web 2023 11 24 06 00 00 2023 11 24 06 30 00 europe zurich spanien sprache land und leute spanien sprache land und leute

spanien sonne meer flamenco wein und

[herzlich willkommen weingut krone de](#) - Jul 16 2023

web das weingut krone besitzt legendenstatus für seine spätburgunder aus den schiefer steillagen assmannshausens juwel eine cuvée aus höllenberg und kühlere

[12 destination inspired books to add to your reading list](#) - Feb 18 2022

web mar 23 2020 barcelona the shadow of the wind by carlos ruiz zafón it s 1945 just after the spanish civil war and somewhere in barcelona an antique book dealer s son

[best travel romance books popsugar entertainment](#) - Jul 26 2022

web sep 10 2020 with these books you ll travel from tuscany to paris and even to maui experiencing the tastes smells and sights of these cities and losing yourself in their

[browse editions for destination romance five inspirational](#) - Feb 01 2023

web destination romance five inspirational love stories spanning the globe julane hiebert rose allen mccauley k marie libel constance shilling stevens kim vogel

[pdf epub destination romance five inspirational love](#) - Aug 07 2023

web jun 25 2023 brief summary of book destination romance five inspirational love stories spanning the globe by julane hiebert here is a quick description and cover

**destination romance five inspirational love stori pdf uniport edu** - Jan 20 2022

web aug 27 2023 site to begin getting this info acquire the destination romance five inspirational love stori member that we present here and check out the link you could

[destination romance five inspirational love stori full pdf](#) - Sep 27 2022

web destination romance five inspirational love stori five ways to fall out of love oathbringer five star cowboy the world s most romantic destinations in love in

**destination romance five inspirational love stories spanning** - Jun 05 2023

web destination romance five inspirational love stories spanning the globe sawyer kim vogel hiebert julane libel k marie mccauley rose allen stevens constance

**destination romance five inspirational love stories abebooks** - Mar 02 2023

web abebooks com destination romance five inspirational love stories spanning the globe 9781944309183 by sawyer kim vogel hiebert julane libel k marie

**destination romance five inspirational love stori copy wp publish** - Oct 29 2022

web pages of destination romance five inspirational love stori a mesmerizing literary creation penned by way of a celebrated

wordsmith readers attempt an enlightening

**destination romance five inspirational love stori pdf** - Jun 24 2022

web destination romance five inspirational love stori oathbringer the spanish love deception five ways to fall out of love in love in new york cth tourism industry

**destination romance five inspirational love stories spanning** - Jul 06 2023

web rated 5 0 5 stars destination romance five inspirational love stories spanning the globe is tagged as christian anthologies blurb from a cave in the hills of missouri to a

destination romance five inspirational love stories spanning - Sep 08 2023

web jul 2 2018 destination romance five inspirational love stories spanning the globe sawyer kim vogel hiebert julane libel k marie mccauley rose allen stevens

**destination romance five inspirational love stori full pdf** - Aug 27 2022

web destination romance five inspirational love stori a charming fictional value full of natural thoughts lies an immersive symphony waiting to be embraced constructed by

**destination romance five inspirational love stories spanning** - May 04 2023

web will donovan follow his boss s orders or follow his heart better together than apart by rose allen mccauley on a k love cruise to jamaica natalie re connects with ken a

*destination romance five inspirational love stories s* - Oct 09 2023

web 4 35 20 ratings8 reviews from a cave in the hills of missouri to a sandy beach in grand cayman romance blooms for five heroines when they least expect it bare feet and

**destination romance five inspirational love stories spanning** - Apr 03 2023

web amazon in buy destination romance five inspirational love stories spanning the globe book online at best prices in india on amazon in read destination romance

**destination romance five inspirational love stori book** - Nov 29 2022

web destination romance five inspirational love stori book review unveiling the power of words in a world driven by information and connectivity the ability of words has be more

**destination romance five inspirational love stories alibris** - Dec 31 2022

web buy destination romance five inspirational love stories spanning the globe by kim vogel sawyer constance shilling stevens rose allen mccauley online at alibris we

**destination romance five inspirational love stori** - Mar 22 2022

web it s the kind of story that takes you away and brings you back grateful for the journey katherine center new york times

bestselling author of how to walk away and things

**is all fair in love and war 5 love stories from modern day** - May 24 2022

web jul 31 2022 from unlikely matches to history making unions here are five inspiring royal love stories from all around the globe

*world s most romantic destinations travel channel* - Dec 19 2021

web sep 9 2019 santorini greece watching the sunset over the brilliant blue aegean sea from your own private terrace in santorini pure romance the only thing that could top

*escape with these 30 flirty romance books set in fab* - Apr 22 2022

web feb 11 2021 and of course my favourites are those that take place in a destination that i love or want to visit these 30 books are my picks for the best rom coms and

[l encyclopédie flammarion du potager et du jardin fruitier](#) - Jul 13 2023

web l encyclopédie flammarion du jardin par alain baraton aux éditions flammarion la bible de jardinage indispensable pour jardiner comme le préconise alain baraton dans le

**l encyclopédie flammarion du jardin** - Aug 14 2023

web noté 5 retrouvez l encyclopédie flammarion du potager et du jardin fruitier et des millions de livres en stock sur amazon fr achetez neuf ou d occasion

**l encyclopa c die flammarion du jardin pdf pdf** - Sep 03 2022

web denis retournard est depuis plus de 20 ans responsable de la très riche collection fruitière du jardin du luxembourg à paris il est par ailleurs chargé des cours sur la taille des

**l encyclopédie flammarion du potager et du jardin** - Mar 09 2023

web l encyclopa c die flammarion du jardin l encyclopa c die flammarion du jardin 2 downloaded from avantevapehouse com on 2020 11 06 by guest this thoroughly

[l encyclopédie flammarion du jardin by alain baraton collectif](#) - Mar 29 2022

web jun 22 2023 l l encyclopa c die flammarion du jardin full pdf web l encyclopa c die flammarion du jardin creators of science fiction aug 21 2021 well known critic and

*free pdf download l encyclopa c die flammarion du jardin* - Apr 10 2023

web 2 l encyclopa c die flammarion du jardin 2022 10 23 the encyclopedia of image processing presents a vast collection of well written articles covering image processing

[l encyclopa c die flammarion du jardin pdf copy](#) - Feb 25 2022

web l encyclopa c die flammarion du jardin if you ally obsession such a referred l encyclopa c die flammarion du jardin ebook

that will come up with the money for

[l encyclopa c die flammarion du jardin full pdf](#) - Dec 06 2022

web about this book l encyclopa c die flammarion du jardin pdf 2023 page 5 acknowledgments page 8 about the author page 8 disclaimer page 8 1 promise basics

[l encyclopa c die flammarion du jardin](#) - Oct 24 2021

**l encyclopa c die flammarion du jardin** - Jan 07 2023

web jun 1 2023 les ouvrages de denis diderot 1763 a work which warman argues represents the first publication of diderot s *Éléments* long before its official publication

[encyclopa c die flammarion du potager pdf copy](#) - Jan 27 2022

web jul 29 2023 l encyclopédie flammarion du jardin by alain baraton collectif récoltes toute l année potager en carrés compost paillage prévenir et soigner les maladies

[l encyclopa c die flammarion du jardin pdf 2023](#) - Apr 29 2022

web title l encyclopa c die flammarion du jardin pdf copy bukuclone ortax org created date 9 8 2023 12 02 01 am

*l encyclopa c die flammarion du jardin* - Dec 26 2021

web critiques les jeux de l autorité de la réécriture de l histoire du genre et leur collusion avec une fraction du champ de production dans le public enfin le simulacre des jugements

**l encyclopa c die flammarion du jardin pdf pdf** - Aug 02 2022

web l encyclopa c die flammarion du jardin 3 3 tables illustrations and multimedia features to assist with the comprehension process encyclopedia of the romantic era 1760 1850

**l encyclopa c die flammarion du jardin pdf staging friends** - Sep 22 2021

**l encyclopédie flammarion du potager et du jardin fruitier** - Jul 01 2022

web l encyclopa c die flammarion du jardin pdf introduction l encyclopa c die flammarion du jardin pdf 2023

*l encyclopa c die flammarion du jardin pdf 2023* - Oct 04 2022

web encyclopa c die flammarion du jardin pdf and numerous books collections from fictions to scientific research in any way among them is this l encyclopa c die flammarion

[l encyclopa c die flammarion du jardin pdf wrbb neu](#) - Feb 08 2023

web l encyclopa c die flammarion du jardin creators of science fiction aug 21 2021 well known critic and novelist brian stableford here discusses the writers editors and

**l encyclopa c die flammarion du jardin book** - May 11 2023

web mar 2 2023 encyclopa c die flammarion du jardin but end up in malicious downloads rather than reading a good book with a cup of coffee in the afternoon

l encyclopédie flammarion du jardin by alain baraton collectif - Nov 24 2021

web sep 2 2022 l encyclopa c die flammarion du jardin 1 6 downloaded from staging friends library org on september 2 2022 by guest l encyclopa c die

**l encyclopa c die flammarion du jardin download only rchat** - May 31 2022

web l encyclopédie flammarion du jardin by alain baraton collectif méthodes respectueuses de l environnement le calendrier des travaux mois après mois les tâches essentielles à

*l encyclopa c die flammarion du jardin pdf uniport edu* - Nov 05 2022

web title l encyclopa c die flammarion du jardin pdf pdf networks kualumni org created date 9 5 2023 2 53 21 pm

**l encyclopédie flammarion du jardin alain baraton cultura** - Jun 12 2023

web l encyclopa c die flammarion du jardin encyclopedia of sacred places mar 14 2023 this thoroughly revised and updated encyclopedia documents the diversity of shrines