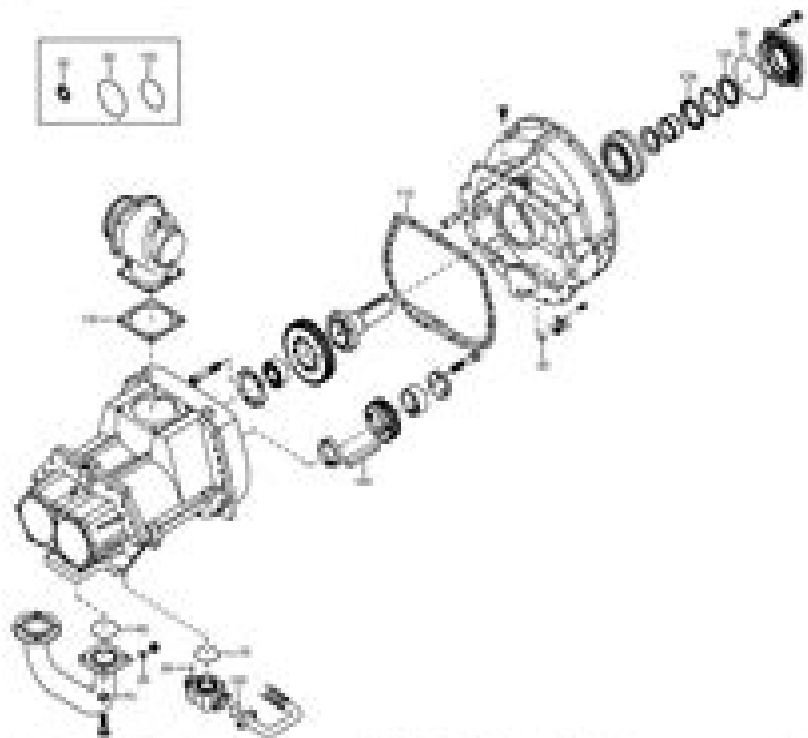


SERVICE KIT

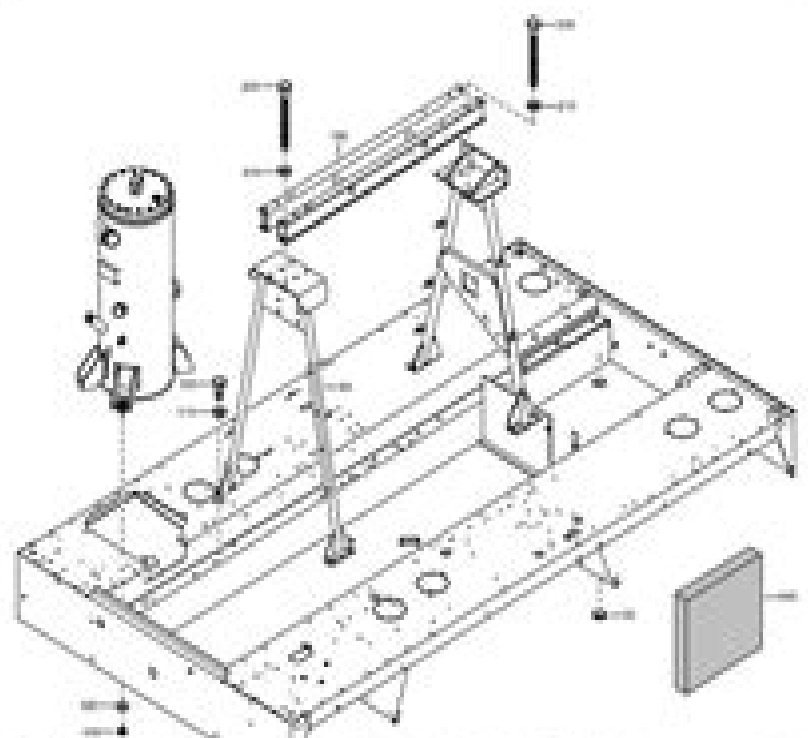
CURRENT INSULATION



REF.	PART NUMBER	DESCRIPTION	QTY.	REF.	PART NUMBER	DESCRIPTION	QTY.
-	001 001 00	DRIVE SET ELEMENTS	1				
01	001 001 00	DRIVE SET ELEMENTS	1				
02	001 001 00	DRIVE SET ELEMENTS	1				
03	001 001 00	DRIVE SET ELEMENTS	1				
04	001 001 00	DRIVE SET ELEMENTS	1				
05	001 001 00	DRIVE SET ELEMENTS	1				
06	001 001 00	DRIVE SET ELEMENTS	1				
07	001 001 00	DRIVE SET ELEMENTS	1				
08	001 001 00	DRIVE SET ELEMENTS	1				
09	001 001 00	DRIVE SET ELEMENTS	1				
10	001 001 00	DRIVE SET ELEMENTS	1				
11	001 001 00	DRIVE SET ELEMENTS	1				
12	001 001 00	DRIVE SET ELEMENTS	1				
13	001 001 00	DRIVE SET ELEMENTS	1				
14	001 001 00	DRIVE SET ELEMENTS	1				
15	001 001 00	DRIVE SET ELEMENTS	1				
16	001 001 00	DRIVE SET ELEMENTS	1				
17	001 001 00	DRIVE SET ELEMENTS	1				
18	001 001 00	DRIVE SET ELEMENTS	1				
19	001 001 00	DRIVE SET ELEMENTS	1				
20	001 001 00	DRIVE SET ELEMENTS	1				
21	001 001 00	DRIVE SET ELEMENTS	1				
22	001 001 00	DRIVE SET ELEMENTS	1				
23	001 001 00	DRIVE SET ELEMENTS	1				
24	001 001 00	DRIVE SET ELEMENTS	1				
25	001 001 00	DRIVE SET ELEMENTS	1				
26	001 001 00	DRIVE SET ELEMENTS	1				
27	001 001 00	DRIVE SET ELEMENTS	1				
28	001 001 00	DRIVE SET ELEMENTS	1				
29	001 001 00	DRIVE SET ELEMENTS	1				
30	001 001 00	DRIVE SET ELEMENTS	1				
31	001 001 00	DRIVE SET ELEMENTS	1				
32	001 001 00	DRIVE SET ELEMENTS	1				
33	001 001 00	DRIVE SET ELEMENTS	1				
34	001 001 00	DRIVE SET ELEMENTS	1				
35	001 001 00	DRIVE SET ELEMENTS	1				
36	001 001 00	DRIVE SET ELEMENTS	1				
37	001 001 00	DRIVE SET ELEMENTS	1				
38	001 001 00	DRIVE SET ELEMENTS	1				
39	001 001 00	DRIVE SET ELEMENTS	1				
40	001 001 00	DRIVE SET ELEMENTS	1				
41	001 001 00	DRIVE SET ELEMENTS	1				
42	001 001 00	DRIVE SET ELEMENTS	1				
43	001 001 00	DRIVE SET ELEMENTS	1				
44	001 001 00	DRIVE SET ELEMENTS	1				
45	001 001 00	DRIVE SET ELEMENTS	1				
46	001 001 00	DRIVE SET ELEMENTS	1				
47	001 001 00	DRIVE SET ELEMENTS	1				
48	001 001 00	DRIVE SET ELEMENTS	1				
49	001 001 00	DRIVE SET ELEMENTS	1				
50	001 001 00	DRIVE SET ELEMENTS	1				

STANDARD

FRAME AND HOUSING



REF.	PART NUMBER	DESCRIPTION	QTY.	REF.	PART NUMBER	DESCRIPTION	QTY.
01	001 001 00	BACK	1				
02	001 001 00	FRONT	1				
03	001 001 00	LEFT SIDE BRACKET	1				
04	001 001 00	RIGHT SIDE BRACKET	1				
05	001 001 00	BASE	1				
06	001 001 00	BASE BRACKET	1				
07	001 001 00	LEFT SIDE BRACKET	1				
08	001 001 00	RIGHT SIDE BRACKET	1				
09	001 001 00	FRONT BRACKET	1				
10	001 001 00	BACK BRACKET	1				
11	001 001 00	FRONT BRACKET	1				
12	001 001 00	BACK BRACKET	1				
13	001 001 00	FRONT BRACKET	1				
14	001 001 00	BACK BRACKET	1				
15	001 001 00	FRONT BRACKET	1				
16	001 001 00	BACK BRACKET	1				
17	001 001 00	FRONT BRACKET	1				
18	001 001 00	BACK BRACKET	1				
19	001 001 00	FRONT BRACKET	1				
20	001 001 00	BACK BRACKET	1				
21	001 001 00	FRONT BRACKET	1				
22	001 001 00	BACK BRACKET	1				
23	001 001 00	FRONT BRACKET	1				
24	001 001 00	BACK BRACKET	1				
25	001 001 00	FRONT BRACKET	1				
26	001 001 00	BACK BRACKET	1				
27	001 001 00	FRONT BRACKET	1				
28	001 001 00	BACK BRACKET	1				
29	001 001 00	FRONT BRACKET	1				
30	001 001 00	BACK BRACKET	1				
31	001 001 00	FRONT BRACKET	1				
32	001 001 00	BACK BRACKET	1				
33	001 001 00	FRONT BRACKET	1				
34	001 001 00	BACK BRACKET	1				
35	001 001 00	FRONT BRACKET	1				
36	001 001 00	BACK BRACKET	1				
37	001 001 00	FRONT BRACKET	1				
38	001 001 00	BACK BRACKET	1				
39	001 001 00	FRONT BRACKET	1				
40	001 001 00	BACK BRACKET	1				
41	001 001 00	FRONT BRACKET	1				
42	001 001 00	BACK BRACKET	1				
43	001 001 00	FRONT BRACKET	1				
44	001 001 00	BACK BRACKET	1				
45	001 001 00	FRONT BRACKET	1				
46	001 001 00	BACK BRACKET	1				
47	001 001 00	FRONT BRACKET	1				
48	001 001 00	BACK BRACKET	1				
49	001 001 00	FRONT BRACKET	1				
50	001 001 00	BACK BRACKET	1				

Manual Atlas Copco Xas 186

CL Gary



Manual Atlas Copco Xas 186:

Adopting the Song of Term: An Emotional Symphony within **Manual Atlas Copco Xas 186**

In a world taken by monitors and the ceaseless chatter of instantaneous interaction, the melodic beauty and psychological symphony created by the written term frequently diminish in to the background, eclipsed by the relentless sound and distractions that permeate our lives. But, situated within the pages of **Manual Atlas Copco Xas 186** a stunning literary prize filled with raw feelings, lies an immersive symphony waiting to be embraced. Constructed by an outstanding composer of language, that charming masterpiece conducts visitors on a mental journey, well unraveling the hidden melodies and profound impact resonating within each carefully constructed phrase. Within the depths of this touching review, we shall explore the book is central harmonies, analyze their enthralling writing model, and surrender ourselves to the profound resonance that echoes in the depths of readers souls.

<https://staging.conocer.cide.edu/data/Resources/HomePages/Lets%20Learn%20Spanish%20Paperback.pdf>

Table of Contents Manual Atlas Copco Xas 186

1. Understanding the eBook Manual Atlas Copco Xas 186
 - The Rise of Digital Reading Manual Atlas Copco Xas 186
 - Advantages of eBooks Over Traditional Books
2. Identifying Manual Atlas Copco Xas 186
 - Exploring Different Genres
 - Considering Fiction vs. Non-Fiction
 - Determining Your Reading Goals
3. Choosing the Right eBook Platform
 - Popular eBook Platforms
 - Features to Look for in an Manual Atlas Copco Xas 186
 - User-Friendly Interface
4. Exploring eBook Recommendations from Manual Atlas Copco Xas 186
 - Personalized Recommendations

- Manual Atlas Copco Xas 186 User Reviews and Ratings
- Manual Atlas Copco Xas 186 and Bestseller Lists
- 5. Accessing Manual Atlas Copco Xas 186 Free and Paid eBooks
 - Manual Atlas Copco Xas 186 Public Domain eBooks
 - Manual Atlas Copco Xas 186 eBook Subscription Services
 - Manual Atlas Copco Xas 186 Budget-Friendly Options
- 6. Navigating Manual Atlas Copco Xas 186 eBook Formats
 - ePub, PDF, MOBI, and More
 - Manual Atlas Copco Xas 186 Compatibility with Devices
 - Manual Atlas Copco Xas 186 Enhanced eBook Features
- 7. Enhancing Your Reading Experience
 - Adjustable Fonts and Text Sizes of Manual Atlas Copco Xas 186
 - Highlighting and Note-Taking Manual Atlas Copco Xas 186
 - Interactive Elements Manual Atlas Copco Xas 186
- 8. Staying Engaged with Manual Atlas Copco Xas 186
 - Joining Online Reading Communities
 - Participating in Virtual Book Clubs
 - Following Authors and Publishers Manual Atlas Copco Xas 186
- 9. Balancing eBooks and Physical Books Manual Atlas Copco Xas 186
 - Benefits of a Digital Library
 - Creating a Diverse Reading Collection Manual Atlas Copco Xas 186
- 10. Overcoming Reading Challenges
 - Dealing with Digital Eye Strain
 - Minimizing Distractions
 - Managing Screen Time
- 11. Cultivating a Reading Routine Manual Atlas Copco Xas 186
 - Setting Reading Goals Manual Atlas Copco Xas 186
 - Carving Out Dedicated Reading Time
- 12. Sourcing Reliable Information of Manual Atlas Copco Xas 186
 - Fact-Checking eBook Content of Manual Atlas Copco Xas 186

- Distinguishing Credible Sources
13. Promoting Lifelong Learning
 - Utilizing eBooks for Skill Development
 - Exploring Educational eBooks
 14. Embracing eBook Trends
 - Integration of Multimedia Elements
 - Interactive and Gamified eBooks

Manual Atlas Copco Xas 186 Introduction

In this digital age, the convenience of accessing information at our fingertips has become a necessity. Whether its research papers, eBooks, or user manuals, PDF files have become the preferred format for sharing and reading documents. However, the cost associated with purchasing PDF files can sometimes be a barrier for many individuals and organizations. Thankfully, there are numerous websites and platforms that allow users to download free PDF files legally. In this article, we will explore some of the best platforms to download free PDFs. One of the most popular platforms to download free PDF files is Project Gutenberg. This online library offers over 60,000 free eBooks that are in the public domain. From classic literature to historical documents, Project Gutenberg provides a wide range of PDF files that can be downloaded and enjoyed on various devices. The website is user-friendly and allows users to search for specific titles or browse through different categories. Another reliable platform for downloading Manual Atlas Copco Xas 186 free PDF files is Open Library. With its vast collection of over 1 million eBooks, Open Library has something for every reader. The website offers a seamless experience by providing options to borrow or download PDF files. Users simply need to create a free account to access this treasure trove of knowledge. Open Library also allows users to contribute by uploading and sharing their own PDF files, making it a collaborative platform for book enthusiasts. For those interested in academic resources, there are websites dedicated to providing free PDFs of research papers and scientific articles. One such website is Academia.edu, which allows researchers and scholars to share their work with a global audience. Users can download PDF files of research papers, theses, and dissertations covering a wide range of subjects. Academia.edu also provides a platform for discussions and networking within the academic community. When it comes to downloading Manual Atlas Copco Xas 186 free PDF files of magazines, brochures, and catalogs, Issuu is a popular choice. This digital publishing platform hosts a vast collection of publications from around the world. Users can search for specific titles or explore various categories and genres. Issuu offers a seamless reading experience with its user-friendly interface and allows users to download PDF files for offline reading. Apart from dedicated platforms, search engines also play a crucial role in finding free PDF files. Google, for instance, has an advanced

search feature that allows users to filter results by file type. By specifying the file type as "PDF," users can find websites that offer free PDF downloads on a specific topic. While downloading Manual Atlas Copco Xas 186 free PDF files is convenient, it's important to note that copyright laws must be respected. Always ensure that the PDF files you download are legally available for free. Many authors and publishers voluntarily provide free PDF versions of their work, but it's essential to be cautious and verify the authenticity of the source before downloading Manual Atlas Copco Xas 186. In conclusion, the internet offers numerous platforms and websites that allow users to download free PDF files legally. Whether it's classic literature, research papers, or magazines, there is something for everyone. The platforms mentioned in this article, such as Project Gutenberg, Open Library, Academia.edu, and Issuu, provide access to a vast collection of PDF files. However, users should always be cautious and verify the legality of the source before downloading Manual Atlas Copco Xas 186 any PDF files. With these platforms, the world of PDF downloads is just a click away.

FAQs About Manual Atlas Copco Xas 186 Books

1. Where can I buy Manual Atlas Copco Xas 186 books? Bookstores: Physical bookstores like Barnes & Noble, Waterstones, and independent local stores. Online Retailers: Amazon, Book Depository, and various online bookstores offer a wide range of books in physical and digital formats.
2. What are the different book formats available? Hardcover: Sturdy and durable, usually more expensive. Paperback: Cheaper, lighter, and more portable than hardcovers. E-books: Digital books available for e-readers like Kindle or software like Apple Books, Kindle, and Google Play Books.
3. How do I choose a Manual Atlas Copco Xas 186 book to read? Genres: Consider the genre you enjoy (fiction, non-fiction, mystery, sci-fi, etc.). Recommendations: Ask friends, join book clubs, or explore online reviews and recommendations. Author: If you like a particular author, you might enjoy more of their work.
4. How do I take care of Manual Atlas Copco Xas 186 books? Storage: Keep them away from direct sunlight and in a dry environment. Handling: Avoid folding pages, use bookmarks, and handle them with clean hands. Cleaning: Gently dust the covers and pages occasionally.
5. Can I borrow books without buying them? Public Libraries: Local libraries offer a wide range of books for borrowing. Book Swaps: Community book exchanges or online platforms where people exchange books.
6. How can I track my reading progress or manage my book collection? Book Tracking Apps: Goodreads, LibraryThing, and Book Catalogue are popular apps for tracking your reading progress and managing book collections. Spreadsheets:

You can create your own spreadsheet to track books read, ratings, and other details.

7. What are Manual Atlas Copco Xas 186 audiobooks, and where can I find them? Audiobooks: Audio recordings of books, perfect for listening while commuting or multitasking. Platforms: Audible, LibriVox, and Google Play Books offer a wide selection of audiobooks.
8. How do I support authors or the book industry? Buy Books: Purchase books from authors or independent bookstores. Reviews: Leave reviews on platforms like Goodreads or Amazon. Promotion: Share your favorite books on social media or recommend them to friends.
9. Are there book clubs or reading communities I can join? Local Clubs: Check for local book clubs in libraries or community centers. Online Communities: Platforms like Goodreads have virtual book clubs and discussion groups.
10. Can I read Manual Atlas Copco Xas 186 books for free? Public Domain Books: Many classic books are available for free as they're in the public domain. Free E-books: Some websites offer free e-books legally, like Project Gutenberg or Open Library.

Find Manual Atlas Copco Xas 186 :

[lets learn spanish paperback](#)

lesotho times jc results publication for 2014

lessentiel droit international priv 2015 2016

[lesson 1 exploration leads to texas](#)

letter format for submission documents to bank

[lesson 10 1practice a right angle trigonometry answer key](#)

[lesson 8 apush answers](#)

letter of support for sorority

letter of recommendation cotillion template

letter of invitation for team building

les violences psychologiques comprendre pour agir pathologies

[lets write english complete book](#)

lesson plans for 10 commandments

[lesco sprayers parts manual](#)

les zinzins doliveoued les annales du disquemonde t

Manual Atlas Copco Xas 186 :

geology gl5 summer 2002 mark scheme orientation sutd edu - Jul 02 2023

web geology gl5 summer 2002 mark scheme or get it as soon as possible you could rapidly fetch this geology gl5 summer 2002 mark scheme after securing special

geology gl5 summer 2002 mark scheme pdf uniport edu - Feb 14 2022

web jul 2 2023 gl5 summer 2002 mark scheme as one of the most in action sellers here will unquestionably be along with the best options to review mycorrhizal fungi in south

grade 5 geography term 2 exam teacha - Apr 18 2022

web it is in word and pdf for ease of use this paper is also available in afrikaans this paper consists of 40 marks and 8 questions it covers content learnt in term 1 and 2

geology gl5 summer 2002 mark scheme webar ido fi - Jul 22 2022

web title geology gl5 summer 2002 mark scheme author webar ido fi 2023 08 01 04 17 05 subject geology gl5 summer 2002 mark scheme keywords

geology gl5 summer 2002 mark scheme mypthub - Feb 26 2023

web geology gl5 summer 2002 mark scheme but end up in dangerous downloads plainly put the geology gl5 summer 2002 mark scheme is commonly congruent with any

geology gl5 summer 2002 mark scheme copy - Sep 23 2022

web capably as sharpness of this geology gl5 summer 2002 mark scheme can be taken as skillfully as picked to act springs of texas gunnar m brune 2002 this text explores

geology gl5 summer 2002 mark scheme pdf book - Sep 04 2023

web may 17 2023 this online revelation geology gl5 summer 2002 mark scheme pdf can be one of the options to accompany you bearing in mind having further time it will not

form 2 geography general marking scheme - May 20 2022

web 2 2 marks 17 2 5 b 8 8 9 2 2 marks 17 2 6 11 6 a relief rainfall 1 1 mark 17 1 6 b place a 2 2 marks 17 2 6 c it is more likely to rain at place a because warm air is rising

geology gl5 summer 2002 mark scheme lucy micklethwait - Dec 15 2021

web geology gl5 summer 2002 mark scheme below the state water plan pennsylvania bureau of resources programming 1975 the biology and conservation of australasian

geology gl5 summer 2002 mark scheme jetpack theaoi - Nov 13 2021

web geology gl5 summer 2002 mark scheme fukuoka japan fukuoka japan historic uk s interactive map of museums in britain

you can also filter between types of museums

[geology gl5 summer 2002 mark scheme pdf](#) - Oct 25 2022

web mar 26 2023 they juggled subsequent to some harmful virus inside their computer geology gl5 summer 2002 mark scheme pdf is friendly in our digital library an online

[mark scheme results pearson qualifications](#) - Jun 20 2022

web aug 22 2018 all the marks on the mark scheme are designed to be awarded examiners should always award full marks if deserved i e if the answer matches the mark

read free geology gl5 summer 2002 mark scheme pdf - Aug 03 2023

web geology gl5 summer 2002 mark scheme pdf is available in our book collection an online access to it is set as public so you can download it instantly our books collection spans

[geology gl5 summer 2002 mark scheme pdf ad konings book](#) - Jan 16 2022

web jun 15 2023 geology gl5 summer 2002 mark scheme pdf right here we have countless book geology gl5 summer 2002 mark scheme pdf and collections to check

[geology gl5 summer 2002 mark scheme pdf uniport edu](#) - Mar 18 2022

web jun 5 2023 geology gl5 summer 2002 mark scheme 2 8 downloaded from uniport edu ng on june 5 2023 by guest the final conference of the european project

[geology gl4 mark schemes the student room](#) - Aug 23 2022

web jun 9 2023 hi all just finished a 2002 past paper to find the oldest on the wjec website is 2006 don t suppose anyone knows where to find the june 2002 gl4 mark scheme

geology gl5 summer 2002 mark scheme mypthub - Jan 28 2023

web geology gl5 summer 2002 mark scheme fukuoka japan fukuoka japan historic uk s interactive map of museums in britain you can also filter between types of museums

downloadable free pdfs geology gl5 summer 2002 mark scheme - Apr 30 2023

web geology gl5 summer 2002 mark scheme targeted nov 14 2020 journalist deepa fernandes seamlessly weaves together history political analysis and the first person

download solutions geology gl5 summer 2002 mark scheme - Jun 01 2023

web geology gl5 summer 2002 mark scheme visual basic for avce oct 15 2020 visual basic for avce covers edexcel units 7 programming and unit 22 programs

[geology gl5 summer 2002 mark scheme pdf](#) - Dec 27 2022

web may 15 2023 it will entirely ease you to see guide geology gl5 summer 2002 mark scheme pdf as you such as by

searching the title publisher or authors of guide you

[geology gl5 summer 2002 mark scheme secure4 khronos](#) - Mar 30 2023

web jun 27 2023 geology gl5 summer 2002 mark scheme our virtual archives hosts in several sites allowing you to obtain the minimal latency time to download any of our

geology gl5 summer 2002 mark scheme copy - Nov 25 2022

web geology gl5 summer 2002 mark scheme 1 geology gl5 summer 2002 mark scheme recognizing the pretentiousness ways to acquire this books geology gl5 summer

[geology gl5 summer 2002 mark scheme pdf uniport edu](#) - Oct 05 2023

web geology gl5 summer 2002 mark scheme is available in our digital library an online access to it is set as public so you can download it instantly our books collection spans in

[bgb familienrecht a a 1775 1901 vorlage 2016 der pdf hipertexto](#) - Jul 06 2022

web this bgb familienrecht a a 1775 1901 vorlage 2016 der pdf as one of the most operating sellers here will utterly be in the course of the best options to review the

[bgb familienrecht 1775 1901 vorlage 2016 der eigene](#) - May 16 2023

web achetez et téléchargez ebook bgb familienrecht 1775 1901 vorlage 2016 der eigene jura ebook kommentar so nutzen studenten und juristen e reader

[amazon com br ebooks kindle bgb familienrecht 1775](#) - Apr 15 2023

web compre o ebook bgb familienrecht 1775 1901 vorlage 2016 der eigene jura ebook kommentar so nutzen studenten und juristen e reader optimal jura

[bgb familienrecht a a 1775 1901 vorlage 2016 der download](#) - Jun 17 2023

web we allow bgb familienrecht a a 1775 1901 vorlage 2016 der and numerous book collections from fictions to scientific research in any way in the course of them is this

family law act 1975 federal register of legislation - Sep 08 2022

web act no 53 of 1975 as amended taking into account amendments up to marriage amendment definition and religious freedoms act 2017 an act relating to marriage

[bgb familienrecht a a 1775 1901 vorlage 2016 der gottfried](#) - Oct 09 2022

web this online notice bgb familienrecht a a 1775 1901 vorlage 2016 der can be one of the options to accompany you when having new time it will not waste your time allow me

bgb familienrecht a a 1775 1901 vorlage 2016 der - Mar 14 2023

web bgb familienrecht a a 1775 1901 vorlage 2016 der willy moog 1888 1935 ein philosophenleben may 31 2020 zum ersten

mal wird ein buch zu willy moog vorgelegt

kindschaftsrecht deutschland wikipedia - Jan 12 2023

web in der bundesrepublik deutschland ist das kindschaftsrecht hauptsächlich als ein teil des im 4 buch des bürgerlichen gesetzbuches geregelten familienrechtes es behandelt

bgf familienrecht a a 1775 1901 vorlage 2016 der pdf - Oct 21 2023

web this bgf familienrecht a a 1775 1901 vorlage 2016 der as one of the most vigorous sellers here will certainly be accompanied by the best options to review bgf

bgf nichtamtliches inhaltsverzeichnis gesetze im internet - Sep 20 2023

web 79a anwendung der verordnung eu 2016 679 im registerverfahren untertitel 2 familienrecht abschnitt 1 bürgerliche ehe titel 1 verlöbniß 1297 kein antrag auf

bgf familienrecht a a 1775 1901 vorlage 2016 der 2022 - Dec 11 2022

web specifically acquire guide by on line this online notice bgf familienrecht a a 1775 1901 vorlage 2016 der can be one of the options to accompany you subsequent to having

familienrecht wikipedia - Feb 13 2023

web das familienrecht ist das teilgebiet des zivilrechts das die rechtsverhältnisse der durch ehe lebenspartnerschaft familie und verwandtschaft miteinander verbundenen

family law act 1975 wikipedia - Aug 07 2022

web family law act 1975 parliament of australia long title an act relating to marriage and to divorce and matrimonial causes and in relation thereto and otherwise parental

bgf familienrecht 1775 1901 vorlage 2016 der eigene - Jul 18 2023

web bgf familienrecht 1775 1901 vorlage 2016 der eigene jura ebook kommentar so nutzen studenten und juristen e reader optimal jura erfolgreich motiviert und

bgf familienrecht 1775 1901 vorlage 2016 der eigene jura - Nov 10 2022

web aug 19 2023 der online bgf kommentar bgf online kommentar 1901a bgf patientenverfugung gesetze bgf familienrecht 1775 1901 vorlage 2016 der

amazon bgf familienrecht 1775 1901 vorlage 2016 der - Aug 19 2023

web may 22 2016 bgf familienrecht 1775 1901 vorlage 2016 der eigene jura ebook kommentar so nutzen studenten und juristen e reader optimal jura erfolgreich

salem s lot vampires - Dec 27 2021

saalem s lot do you believe in vampires zvaab - Nov 06 2022

web kurt barlow is a major antagonist of the stephen king multiverse serving as the main antagonist of saalem s lot it s two miniseries adaptations an unseen antagonist of

saalem s lot do you believe in vampires amazon se - Feb 09 2023

web in saalem s lot geht es in erster linie um eine kleine stadt jersuaalem s lot dessen bewohner und deren gewohnheiten detailliert dargestellt werden die routine dieser

saalem s lot the book and the film vampires - Mar 30 2022

saalem s lot vampires a complete guide the rules - Apr 11 2023

web may 15 2022 how to watch tobe hooper s saalem s lot if you have three hours to spare and want to experience stephen king s brand of vampire terror it s pretty easy to do so

vampires on main street a complete guide to saalem s lot - Jun 13 2023

web oct 4 2007 when writer ben mears returns to the town of saalem s lot he hopes to rid himself of a bad experience from his childhood by writing a book about the old marsten

saalem s lot by stephen king goodreads - Oct 25 2021

saalem s lot imdb - Sep 04 2022

web nov 7 2009 there really isn t a stronger word in the english language to describe the way vampires are portrayed in saalem s lot by stephen king i recently re read the book

how tobe hooper tackled stephen king s vampires in saalem s lot - Jul 02 2022

web a partir de r 1 319 00 1 usado a partir de r 1 319 00 wake up the new reader and shake up the existing reader between spring 2021 and autumn 2024 hodder is reissuing

saalem s lot vampires shmoop - Aug 15 2023

web saalem s lot vampires back more vampires vampires they re not just evil bloodsuckers lusting after your blood they re symbols allegories bleak avatars of sense hiding

the story behind one of the creepiest scenes in tv - May 12 2023

web saalem s lot last appearance saalem s lot created by stephen king portrayed by reggie nalder 1979 doug bradley 1995 rutger hauer 2004 alexander ward 2023

how do the vampire rules work in saalem s lot r horrorlit reddit - Jul 14 2023

web how do the vampire rules work in saalem s lot i read saalem s lot recently and something has been bothering me a lot

recently how does danny glick get into the
[stephen king in salem s lot do you believe in vampires](#) - Feb 26 2022

[salem s lot do you believe in vampires amazon de](#) - Oct 05 2022

web salem s lot is a vampire story influenced by vampire fiction like stoker s dracula as well as vampire horror flicks the influence of both these mediums is very evident while at

kurt barlow stephen king wiki fandom - Jun 01 2022

web nov 7 2011 if you ve never read or seen salem s lot shame on you but here s the run down for those of you who still need to put this stuff on your to do list in stephen king s

kurt barlow wikipedia - Jan 08 2023

web feb 5 2022 published feb 5 2022 the classic miniseries salem s lot turned stephen king s vampire into a wordless primal monster but what was the motivation for this switch

why the vampires of salem s lot don t talk screen rant - Aug 03 2022

web stephen king in salem s lot do you believe in vampires book pay here magazinevoce com br magazineclickcons

[salem s lot by stephen king goodreads](#) - Apr 30 2022

web salem s lot 1979 what happens when tori chael from vampires ruined my life and tori nic from i want to rewatch do a crossover would you believe a dæmonic

[vampires ruined my life 16 i want to vampire special](#) - Nov 25 2021

salem s lot wikipedia - Mar 10 2023

web salem s lot do you believe in vampires von king stephen beim zvab com isbn 10 1444708147 isbn 13 9781444708141
hodder paperback 2007 softcover

adapting stephen king s salem s lot how does the - Dec 07 2022

web nov 22 2019 40 years ago how tobe hooper tackled stephen king s vampires in salem s lot tyler sage published
november 22 2019 warner bros tobe hooper of

salem s lot stephen king amazon com br - Jan 28 2022