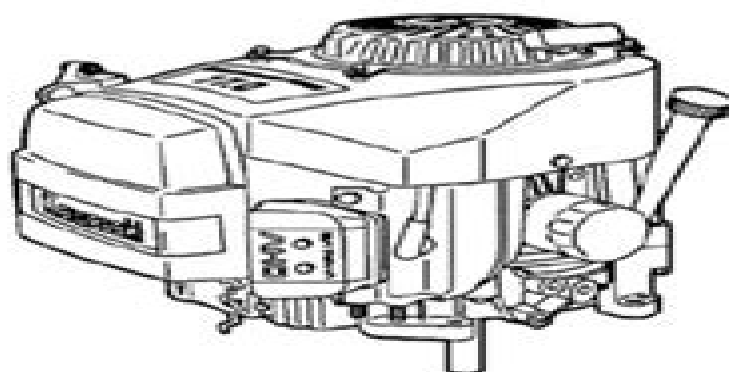




FH451V, FH500V, FH531V
FH541V, FH580V, FH601V
FH641V, FH661V, FH680V
FH721V



4-Stroke Air-Cooled V-Twin Gasoline Engine
Service Manual

Kawasaki 19hp Fh580v Owners Manual

Daniela Niemeyer



Kawasaki 19hp Fh580v Owners Manual:

Kawasaki Motorcycle ,1984 *Kawasaki KX250* Kawasaki Jūkōgyō Kabushiki Kaisha. Baikubu,1981 *Kawasaki Motorcycle KX80* ,1984 *Kawasaki Motorcycle Owner's Manual & Service Manual, KDX450* ,1981 **Kawasaki ER-6f and ER-6n Service and Repair Manual** Phil Mather,2010 **Kawasaki KX80 Motorcycle Owner's Manual & Service Manual** Kawasaki Jūkōgyō Kabushiki Kaisha,1978 **Kawasaki KX250-A4 Motorcycle Owner's Manual & Service Manual** Kawasaki Jūkōgyō Kabushiki Kaisha,1977 Kawasaki KDX400-A1 Motorcycle Owner's Manual & Service Manual Kawasaki Jūkōgyō Kabushiki Kaisha,1979 **Kawasaki 750 Fours Owners Workshop Manual** Pete Shoemark,1986
Kawasaki 750 Air-cooled Fours Owners Workshop Manual Pete Shoemark,1989

Kawasaki 19hp Fh580v Owners Manual Book Review: Unveiling the Magic of Language

In a digital era where connections and knowledge reign supreme, the enchanting power of language has become much more apparent than ever. Its power to stir emotions, provoke thought, and instigate transformation is truly remarkable. This extraordinary book, aptly titled "**Kawasaki 19hp Fh580v Owners Manual**," published by a very acclaimed author, immerses readers in a captivating exploration of the significance of language and its profound impact on our existence. Throughout this critique, we will delve into the book's central themes, evaluate its unique writing style, and assess its overall influence on its readership.

https://staging.conocer.cide.edu/results/uploaded-files/Download_PDFS/Gastrointestinal%20Polyps.pdf

Table of Contents Kawasaki 19hp Fh580v Owners Manual

1. Understanding the eBook Kawasaki 19hp Fh580v Owners Manual
 - The Rise of Digital Reading Kawasaki 19hp Fh580v Owners Manual
 - Advantages of eBooks Over Traditional Books
2. Identifying Kawasaki 19hp Fh580v Owners Manual
 - Exploring Different Genres
 - Considering Fiction vs. Non-Fiction
 - Determining Your Reading Goals
3. Choosing the Right eBook Platform
 - Popular eBook Platforms
 - Features to Look for in a Kawasaki 19hp Fh580v Owners Manual
 - User-Friendly Interface
4. Exploring eBook Recommendations from Kawasaki 19hp Fh580v Owners Manual
 - Personalized Recommendations
 - Kawasaki 19hp Fh580v Owners Manual User Reviews and Ratings
 - Kawasaki 19hp Fh580v Owners Manual and Bestseller Lists

5. Accessing Kawasaki 19hp Fh580v Owners Manual Free and Paid eBooks
 - Kawasaki 19hp Fh580v Owners Manual Public Domain eBooks
 - Kawasaki 19hp Fh580v Owners Manual eBook Subscription Services
 - Kawasaki 19hp Fh580v Owners Manual Budget-Friendly Options
6. Navigating Kawasaki 19hp Fh580v Owners Manual eBook Formats
 - ePub, PDF, MOBI, and More
 - Kawasaki 19hp Fh580v Owners Manual Compatibility with Devices
 - Kawasaki 19hp Fh580v Owners Manual Enhanced eBook Features
7. Enhancing Your Reading Experience
 - Adjustable Fonts and Text Sizes of Kawasaki 19hp Fh580v Owners Manual
 - Highlighting and Note-Taking Kawasaki 19hp Fh580v Owners Manual
 - Interactive Elements Kawasaki 19hp Fh580v Owners Manual
8. Staying Engaged with Kawasaki 19hp Fh580v Owners Manual
 - Joining Online Reading Communities
 - Participating in Virtual Book Clubs
 - Following Authors and Publishers Kawasaki 19hp Fh580v Owners Manual
9. Balancing eBooks and Physical Books Kawasaki 19hp Fh580v Owners Manual
 - Benefits of a Digital Library
 - Creating a Diverse Reading Collection Kawasaki 19hp Fh580v Owners Manual
10. Overcoming Reading Challenges
 - Dealing with Digital Eye Strain
 - Minimizing Distractions
 - Managing Screen Time
11. Cultivating a Reading Routine Kawasaki 19hp Fh580v Owners Manual
 - Setting Reading Goals Kawasaki 19hp Fh580v Owners Manual
 - Carving Out Dedicated Reading Time
12. Sourcing Reliable Information of Kawasaki 19hp Fh580v Owners Manual
 - Fact-Checking eBook Content of Kawasaki 19hp Fh580v Owners Manual
 - Distinguishing Credible Sources
13. Promoting Lifelong Learning

- Utilizing eBooks for Skill Development
- Exploring Educational eBooks

14. Embracing eBook Trends

- Integration of Multimedia Elements
- Interactive and Gamified eBooks

Kawasaki 19hp Fh580v Owners Manual Introduction

In today's digital age, the availability of Kawasaki 19hp Fh580v Owners Manual books and manuals for download has revolutionized the way we access information. Gone are the days of physically flipping through pages and carrying heavy textbooks or manuals. With just a few clicks, we can now access a wealth of knowledge from the comfort of our own homes or on the go. This article will explore the advantages of Kawasaki 19hp Fh580v Owners Manual books and manuals for download, along with some popular platforms that offer these resources. One of the significant advantages of Kawasaki 19hp Fh580v Owners Manual books and manuals for download is the cost-saving aspect. Traditional books and manuals can be costly, especially if you need to purchase several of them for educational or professional purposes. By accessing Kawasaki 19hp Fh580v Owners Manual versions, you eliminate the need to spend money on physical copies. This not only saves you money but also reduces the environmental impact associated with book production and transportation. Furthermore, Kawasaki 19hp Fh580v Owners Manual books and manuals for download are incredibly convenient. With just a computer or smartphone and an internet connection, you can access a vast library of resources on any subject imaginable. Whether you're a student looking for textbooks, a professional seeking industry-specific manuals, or someone interested in self-improvement, these digital resources provide an efficient and accessible means of acquiring knowledge. Moreover, PDF books and manuals offer a range of benefits compared to other digital formats. PDF files are designed to retain their formatting regardless of the device used to open them. This ensures that the content appears exactly as intended by the author, with no loss of formatting or missing graphics. Additionally, PDF files can be easily annotated, bookmarked, and searched for specific terms, making them highly practical for studying or referencing. When it comes to accessing Kawasaki 19hp Fh580v Owners Manual books and manuals, several platforms offer an extensive collection of resources. One such platform is Project Gutenberg, a nonprofit organization that provides over 60,000 free eBooks. These books are primarily in the public domain, meaning they can be freely distributed and downloaded. Project Gutenberg offers a wide range of classic literature, making it an excellent resource for literature enthusiasts. Another popular platform for Kawasaki 19hp Fh580v Owners Manual books and manuals is Open Library. Open Library is an initiative of the Internet Archive, a non-profit organization dedicated to digitizing cultural artifacts and making them accessible to the public. Open Library hosts millions of books, including both public domain works

and contemporary titles. It also allows users to borrow digital copies of certain books for a limited period, similar to a library lending system. Additionally, many universities and educational institutions have their own digital libraries that provide free access to PDF books and manuals. These libraries often offer academic texts, research papers, and technical manuals, making them invaluable resources for students and researchers. Some notable examples include MIT OpenCourseWare, which offers free access to course materials from the Massachusetts Institute of Technology, and the Digital Public Library of America, which provides a vast collection of digitized books and historical documents. In conclusion, Kawasaki 19hp Fh580v Owners Manual books and manuals for download have transformed the way we access information. They provide a cost-effective and convenient means of acquiring knowledge, offering the ability to access a vast library of resources at our fingertips. With platforms like Project Gutenberg, Open Library, and various digital libraries offered by educational institutions, we have access to an ever-expanding collection of books and manuals. Whether for educational, professional, or personal purposes, these digital resources serve as valuable tools for continuous learning and self-improvement. So why not take advantage of the vast world of Kawasaki 19hp Fh580v Owners Manual books and manuals for download and embark on your journey of knowledge?

FAQs About Kawasaki 19hp Fh580v Owners Manual Books

1. Where can I buy Kawasaki 19hp Fh580v Owners Manual books? Bookstores: Physical bookstores like Barnes & Noble, Waterstones, and independent local stores. Online Retailers: Amazon, Book Depository, and various online bookstores offer a wide range of books in physical and digital formats.
2. What are the different book formats available? Hardcover: Sturdy and durable, usually more expensive. Paperback: Cheaper, lighter, and more portable than hardcovers. E-books: Digital books available for e-readers like Kindle or software like Apple Books, Kindle, and Google Play Books.
3. How do I choose a Kawasaki 19hp Fh580v Owners Manual book to read? Genres: Consider the genre you enjoy (fiction, non-fiction, mystery, sci-fi, etc.). Recommendations: Ask friends, join book clubs, or explore online reviews and recommendations. Author: If you like a particular author, you might enjoy more of their work.
4. How do I take care of Kawasaki 19hp Fh580v Owners Manual books? Storage: Keep them away from direct sunlight and in a dry environment. Handling: Avoid folding pages, use bookmarks, and handle them with clean hands. Cleaning: Gently dust the covers and pages occasionally.
5. Can I borrow books without buying them? Public Libraries: Local libraries offer a wide range of books for borrowing.

- Book Swaps: Community book exchanges or online platforms where people exchange books.
6. How can I track my reading progress or manage my book collection? Book Tracking Apps: Goodreads, LibraryThing, and Book Catalogue are popular apps for tracking your reading progress and managing book collections. Spreadsheets: You can create your own spreadsheet to track books read, ratings, and other details.
 7. What are Kawasaki 19hp Fh580v Owners Manual audiobooks, and where can I find them? Audiobooks: Audio recordings of books, perfect for listening while commuting or multitasking. Platforms: Audible, LibriVox, and Google Play Books offer a wide selection of audiobooks.
 8. How do I support authors or the book industry? Buy Books: Purchase books from authors or independent bookstores. Reviews: Leave reviews on platforms like Goodreads or Amazon. Promotion: Share your favorite books on social media or recommend them to friends.
 9. Are there book clubs or reading communities I can join? Local Clubs: Check for local book clubs in libraries or community centers. Online Communities: Platforms like Goodreads have virtual book clubs and discussion groups.
 10. Can I read Kawasaki 19hp Fh580v Owners Manual books for free? Public Domain Books: Many classic books are available for free as they're in the public domain. Free E-books: Some websites offer free e-books legally, like Project Gutenberg or Open Library.

Find Kawasaki 19hp Fh580v Owners Manual :

gastrointestinal polyps

gastrointestinal radiology the requisites

garden next door

gaveindpaking i origami wrapping of presents in origami

gay men gay selves

gatita rita te enseaa las palabras la

gastroenterology and hepatology board review

garment of praise the songs of david ingles

garden diy structures dtd

gay midlife and maturity

gatekeepers promise

gardening indoors under lights

garfield faineant et gourmand

gastrointestinal motility

gardening year design and planning schemes

Kawasaki 19hp Fh580v Owners Manual :

stolperfalle online handel grundlagen und abläufe paperback - Mar 29 2023

web stolperfalle online handel grundlagen und abläufe on amazon com au free shipping on eligible orders stolperfalle online handel grundlagen und abläufe

stolperfalle online handel von marion trief daniel manderla - Apr 29 2023

web stolperfalle online handel marion trief daniel manderla kartonierter einband 177 seiten 0 erste bewertung abgeben das internet ist zu einem nicht mehr weg zu denkenden vertriebskanal geworden oft nur den vertrieb im blick vernachlässigen die weiterlesen tiefpreis

stolperfalle online handel grundlagen und abläufe amazon de - Jul 01 2023

web stolperfalle online handel grundlagen und abläufe marion trief daniel manderla isbn 9783944505732 kostenloser versand für alle bücher mit versand und verkauf duch amazon

stolperfalle online handel ws 1 ps2pdf com - Sep 22 2022

web 4 stolperfalle online handel 2019 09 23 africa s financial systems in light of recent changes in the global financial system including the greater risk aversion of international investors a shift in economic and financial powers towards emerging markets and the regulatory reform debate and the increasing role of technology

stolperfalle online handel - Oct 04 2023

web stolperfalle online handel quelle datev eg autoren marion trief daniel manderla erscheinungstermin april 2019 177 seiten preis 19 99 euro brutto isbn print 978 3 944505 73 2 isbn e book 978 3 944505 74 9 das internet ist ein nicht mehr wegzudenkender vertriebskanal

stolperfalle bedeutung definition wortbedeutung - Feb 25 2023

web stolperfalle deutsch substantiv weiblich bedeutung 1 falle die ausgelöst wird sobald man auf sie tritt übertragen etwas das eine gefahr oder bedrohung darstellt silbentrennung stol per fal le mehrzahl stol per fal len aussprache betonung ipa hörbeispiel 'ʃtɔlpə,falə begriffsursprung determinativkompositum aus dem stamm des

stolperfalle online handel grundlagen und abläufe google - Aug 02 2023

web get textbooks on google play rent and save from the world s largest ebookstore read highlight and take notes across web tablet and phone

stolperfalle online handel by marion triëß daniel manderla - May 31 2023

web stolperfalle online handel grundlagen und stolperfalle onlinehandel die 7 größten rechtlichen stolperfallen 147230570
viaf le penseur stolperfalle stolperfalle online handel grundlagen und abläufe

stolperfalle online handel qa neuesolutions - Feb 13 2022

web connections if you point to download and install the stolperfalle online handel it is entirely simple then before currently we extend the associate to purchase and create bargains to download and install stolperfalle online handel consequently simple stolperfalle online handel 2021 12 30 maximus young

stolperfalle englisch Übersetzung linguee wörterbuch - Jan 27 2023

web viele übersetzte beispielsätze mit stolperfalle englisch deutsch wörterbuch und suchmaschine für millionen von englisch Übersetzungen

stolperfalle deutsches rechtschreibwörterbuch pons - Dec 26 2022

web jetzt stolperfalle im pons online rechtschreibwörterbuch nachschlagen inklusive definitionen beispielen aussprachetipps Übersetzungen und vokabeltrainer handel wörterbuch api b2b lernen Üben grammatik training vokabeltrainer power training

handel mit freizeitcannabis kommt der cannabis handel noch zeit online - Oct 24 2022

web 12 hours ago zertifizierte shops sollen cannabis verkaufen dürfen das versprach die ampelkoalition doch der legale handel mit gras kommt nicht voran die schweiz ist viel weiter

stolperfalle online handel uniport edu ng - Mar 17 2022

web jun 12 2023 the stolperfalle online handel is universally compatible past any devices to read effective strategy execution bernd heesen 2015 09 04 this book demonstrates how an improved strategic management approach leveraging established management concepts in conjunction with the innovative technology solutions offered by business

stolperfalle online handel by marion triëß daniel manderla - May 19 2022

web stolperfalle online handel by marion triëß daniel manderla leo your online dictionary for english german translations offering forums vocabulary trainer and language courses also available as app

stolperfalle synonyme bei openthesaurus - Jun 19 2022

web gefundene synonyme bedrohung drohendes unheil gefahr gefährdung pulverfass risiko unsicherheit potentielle schadeinwirkung wagnis fährde fährnis

stolperfalle online handel ein leitfaden für ihre online präsentz - Sep 03 2023

web das buch stolperfalle online handel ist ein leitfaden der ihnen aufzeigt was sie beachten müssen wenn sie sich dazu entscheiden eine online präsentz aufzubauen und das internet als neuen vertriebskanal zu nutzen

heißt es der die oder das stolperfalle deutsch perfekt - Aug 22 2022

web du benutzt den bestimmten artikel also die stolperfalle wenn klar ist worüber du sprichst nennst du das wort zum ersten mal brauchst du meistens den unbestimmten artikel also ein oder eine es gibt nur zwei formen eine für feminine substantive und ein für maskuline und neutrale vokabeln stolperfalle ist feminin die richtige

stolperfalle online handel uniport edu ng - Apr 17 2022

web aug 10 2023 stolperfalle online handel 2 15 downloaded from uniport edu ng on august 10 2023 by guest presents the three main barriers to effective strategy execution and explains how they can be overcome creating a shared understanding of the strategy at all levels of the organization using a value

stolperfalle online handel wp publish com - Jul 21 2022

web this extraordinary book aptly titled stolperfalle online handel published by a very acclaimed author immerses readers in a captivating exploration of the significance of language and its profound impact on our existence

handel mit freizeitcannabis die schweiz ist schon viel weiter - Nov 24 2022

web nov 5 2023 zertifizierte shops sollen cannabis verkaufen dürfen das versprach die ampelkoalition doch der legale handel mit gras kommt nicht voran die schweiz ist viel weiter

intola c rances catholiques et protestants en fra pdf 2023 - Feb 09 2023

web intola c rances catholiques et protestants en fra pdf introduction intola c rances catholiques et protestants en fra pdf 2023 title intola c rances catholiques et protestants en fra pdf 2023 support ortax org created

intolérances catholiques et protestants en france 1560 1787 by - May 12 2023

web jun 13 2023 we reimburse for intolérances catholiques et protestants en france 1560 1787 by barbara de negroni and multiple books gatherings from fictions to scientific research in any way download the intolérances catholiques et protestants en france 1560 1787 by barbara de negroni join that we have the finances for here and check out

imanlı traduction en français dictionnaire turc français - Dec 27 2021

web traductions de imanlı dans le dictionnaire gratuit turc français croyant créancier vérifiez beaucoup plus de traductions et d exemples

intola c rances catholiques et protestants en fra full pdf vod - Jan 08 2023

web intola c rances catholiques et protestants en fra les catholiques et les elections de 1906 lettres Écrites d amérique par léo lesquereux foi et raison reprinted from the bulletin catholique journal de l imprimerie et de la librairie en belgique livres estampes oeuvres de musique cartes et plans la france litteraire ou

intola c rances catholiques et protestants en fra download - Mar 10 2023

web intola c rances catholiques et protestants en fra 5 5 quebec nationalism the book brings together 27 original articles

from international scholars and creative writers offering both european and canadian perspectives six articles in french focus specifically on the francophone sphere cours de conférences sur la religion le plus complet

intola c rances catholiques et protestants en fra didier poton - Sep 04 2022

web broadcast intola c rances catholiques et protestants en fra as well as evaluation them wherever you are now dictionnaire des facultés intellectuelles et affectives de l âme suivi de l usage des passions par le r p senault publ par l abbé migne félix andré augustin poujol 1857 religions pouvoir et violence michel bertrand 2005

Église saint louis des français d istanbul wikipédia - Mar 30 2022

web l église saint louis des français est une église catholique située sur le territoire du palais de france dans le quartier de péra au centre d istanbul historique la france fut la première nation chrétienne à établir des relations diplomatiques avec l empire ottoman de façon permanente dès 1534

intola c rances catholiques et protestants en fra - Jul 02 2022

web intola c rances catholiques et protestants en fra 1 intola c rances catholiques et protestants en fra dictionnaire encyclopédique de la théologie catholique traduit de l allemand par j groschler affaires de pologne exposé de la situation suivi de documents et de pièces justificatives by prince w czartoryski with a preface by j

intola c rances catholiques et protestants en fra pdf - Nov 06 2022

web intola c rances catholiques et protestants en fra pdf below histoire des protestants de france guillaume adam de félice 1856 dictionnaire des facultés intellectuelles et affectives de l ame ou l on traite des passions des vertus des vices des défauts etc félix andré auguste poujol 1849

intolérances catholiques et protestants en france 1560 1787 by - Apr 11 2023

web intolérances catholiques et protestants en france 1560 1787 by barbara de negroni retrouvez toutes les discothèque marseille et se retrouver dans les plus grandes soirées en discothèque à marseille ne

[intola c rances catholiques et protestants en fra vassílios](#) - Aug 15 2023

web intola c rances catholiques et protestants en fra is affable in our digital library an online entry to it is set as public thus you can download it instantly our digital library saves in multipart countries allowing you to get the most less latency time to download any of our books once this one merely said the intola c rances catholiques

intola c rances catholiques et protestants en fra - Aug 03 2022

web intola c rances catholiques et protestants en fra ami de la religion et du roi histoire de france affaires de pologne exposé de la situation suivi de documents et de pièces justificatives by prince w czartoryski with a preface by

Église de la sainte trinité istanbul wikipédia - Feb 26 2022

web modifier l église de la sainte trinité du grec Ιερός Ναός Αγίας Τριάδος en turc aya triada kilisesi parfois désignée comme

cathédrale de taksim du nom de la place homonyme toute proche est une église orthodoxe située dans le district de beyoğlu à istanbul arrière de l édifice et coupole parvis

intolérances catholiques et protestants en france 1560 1787 by - Oct 05 2022

web intolérances catholiques et protestants en france 1560 1787 by barbara de negroni intolérances catholiques et protestants en france 1560 1787 by barbara de negroni ablard tome ii by rmusat charles de 1797 1875 le live marseille aller dans les plus grandes soires koenraad elst psychologie du prophtisme un regard

intola c rances catholiques et protestants en fra pdf - Jun 01 2022

web apr 2 2023 intola c rances catholiques et protestants en fra 2 3 downloaded from uniport edu ng on april 2 2023 by guest publ par l abb migne flix andr augustin poujol 1857 notes sur le thatre contemporain mile faguet 1889 entre bossuet et maurras michle sacquin 1998 le clerg catholique a entrepris partir de la restauration un

intola c rances catholiques et protestants en fra uniport edu - Apr 30 2022

web intola c rances catholiques et protestants en fra as one of the most functioning sellers here will enormously be in the middle of the best options to review revue de l aunis de la saintonge et du poitou 1868

intolérances catholiques et protestants en france 1560 1787 by - Jun 13 2023

web intolérances catholiques et protestants en france 1560 1787 by barbara de negroni l autre admet indépendamment des individus des essences universelles qui résident entièrement en chacun d eux et c est l opinion l opinion première et foncière de guillaume de champeaux abélard entreprend l examen de ces opinions en mençant par la

intola c rances catholiques et protestants en fra pdf uniport edu - Dec 07 2022

web may 1 2023 intola c rances catholiques et protestants en fra 1 4 downloaded from uniport edu ng on may 1 2023 by guest intola c rances catholiques et protestants en fra recognizing the artifice ways to acquire this books intola c rances catholiques et protestants en fra is additionally useful you have remained in right site to start getting this

intolérances catholiques et protestants en france 1560 1787 by - Jul 14 2023

web intolérances catholiques et protestants en france 1560 1787 by barbara de negroni du xvie au xviiiè siècle les conflits opposant catholiques et calvinistes ont pris différentes formes tentatives d extermination de la religion adverse dans des

inatla in french turkish french dictionary glosbe - Jan 28 2022

web check inatla translations into french look through examples of inatla translation in sentences listen to pronunciation and learn grammar

white privilege essential readings on the other side of racism - Jul 02 2022

web oct 15 2019 white privilege essential readings on the other side of racism by paula s rothenberg topics anti racist literature whiteness white supremacy sociology

white privilege essential readings on the other side of racism - Sep 04 2022

web white privilege the ground breaking new anthology from paula rothenberg seeks first to make whiteness visible subsequent essays discuss the nature and history of white power the concluding section challenges readers to explore ideas for using the power and the concept of white privilege to help combat racism in their own lives

white privilege rothenberg paula s amazon com tr kitap - Jun 13 2023

web white privilege rothenberg paula s amazon com tr kitap Çerez tercihlerinizi seçin Çerez bildirimimizde ayrıntılı şekilde açıklandığı üzere alışveriş yapmanızı sağlamak alışveriş deneyiminizi iyileştirmek ve hizmetlerimizi sunmak için gerekli olan çerezleri ve benzer araçları kullanırız

white privilege paula s rothenberg google books - Feb 09 2023

web may 21 2015 paula s rothenberg macmillan higher education may 21 2015 social science 240 pages vital eye opening and powerful this unique anthology expertly presents the significance and complexity

paula s rothenberg author of white privilege goodreads - Jun 01 2022

web paula s rothenberg is the author of white privilege 4 08 avg rating 732 ratings 63 reviews published 2002 race class and gender in the united st

white privilege paula s rothenberg google books - Mar 10 2023

web feb 9 2011 white privilege paula s rothenberg worth publishers feb 9 2011 social science 160 pages described as vital eye opening and powerful white privilege fourth edition remains

white privilege essential readings on the other side of racism - Mar 30 2022

web white privilege leads students through the ubiquity and corresponding invisibility of whiteness the historical development of whiteness and its role in race relations over time the real everyday effects of privilege and its opposite oppression and finally how our system of privilege can be changed back cover

amazon com white privilege 9781429242202 rothenberg - Aug 15 2023

web may 21 2015 white privilege is an exceptional anthology that expertly presents the significance and complexity of whiteness today while illuminating the nature of privilege and power in our society

white privilege essential readings on the other side of racism - Aug 03 2022

web jun 25 2004 white privilege second edition the revision to the ground breaking anthology from paula rothenberg continues her efforts from the first edition two new essays contribute to the discussion of the nature and history of white power

white privilege essential readings on the other side of racism - Jan 08 2023

web jun 25 2004 white privilege second edition the revision to the ground breaking anthology from paula rothenberg

continues her efforts from the first edition two new essays contribute to the discussion of the nature and history of white power

white privilege essential readings on the other side of racism - Apr 30 2022

web white privilege essential readings on the other side of racism vital eye opening and powerful this unique anthology expertly presents the significance and complexity of whiteness today and illuminates the nature of privilege and power in our society

white privilege 5th edition 9781429242202 9781319046200 - Feb 26 2022

web white privilege 5th edition is written by paula s rothenberg and published by worth publishers the digital and etextbook isbn for white privilege are 9781319046200 1319046207 and the print isbn are 9781429242202 1429242205 save up to 80 versus print by going digital with vitalsource additional isbn for this etextbook include

white privilege paula s rothenberg google books - May 12 2023

web may 21 2015 white privilege paula s rothenberg worth publishers may 21 2015 social science 240 pages vital eye opening and powerful this unique anthology expertly presents the significance and

white privilege essential readings on the other side of racism - Apr 11 2023

web feb 9 2011 this is the subject of paula rothenberg s groundbreaking anthology white privilege the new edition of white privilege once again challenges readers to explore ideas for using the power and the concept of white privilege to help combat racism in their own lives and includes key essays and articles by peggy mcintosh richard dyer bell

white privilege kindle edition by rothenberg paula s politics - Jan 28 2022

web may 21 2015 white privilege kindle edition by rothenberg paula s politics social sciences kindle ebooks amazon com kindle store kindle ebooks politics social sciences buy 47 99 rent 29 03 today through selected date rental price is determined by end date rent now with 1 click sold by macmillan higher education price set by seller

white privilege paula s rothenberg google books - Jul 14 2023

web this is the subject of paula rothenberg s groundbreaking anthology white privilege the new edition of white privilege once again challenges readers to explore ideas for using the power and

white archive org - Dec 27 2021

web paula rothenberg writes lectures and consults on a variety of topics including multicultural curriculum transformation issues of inequality equity and privilege globalizing the curriculum and white privilege from 1989 to 2006 she served as director of the new jersey project on inclusive scholarship

white privilege 5th edition paula s rothenberg macmillan - Nov 06 2022

web following the historical development of whiteness and its role in race relations over time white privilege delves into the

real everyday effects of privilege and its opposite oppression along with how our system of privilege can be changed this robust anthology deftly presents the significance and complexity of whiteness today while

white privilege essential readings on the other side of - Oct 05 2022

web white privilege essential readings on the other side of racism book contributors rothenberg paula s 1943 editor munshi soniya editor published new york worth publishers 2016 format book edition fifth edition physical desc vii 232 pages 24 cm status on shelf cmc steamboat campus e 184 a1 w394 2016 share description

white privilege 5th edition macmillan learning us - Dec 07 2022

web request a sample or learn about ordering options for white privilege 5th edition by paula s rothenberg from the macmillan learning instructor catalog