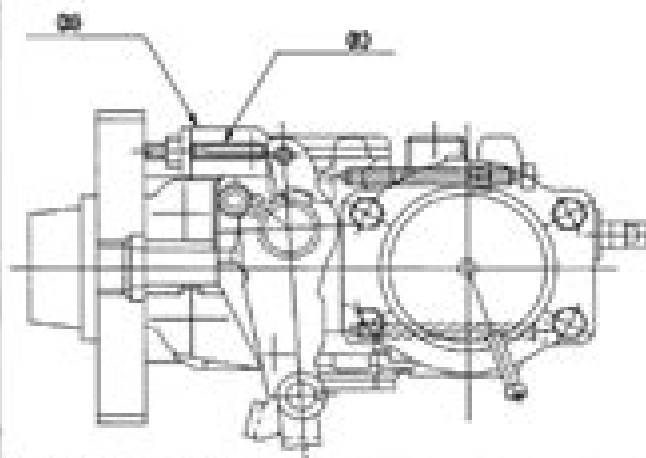


3.10.1 Additional device 1

Name POTENTIOMETER ADJUSTMENT

N1=1050r/min
 Q1=27.5±1.0cm³/1,000st
 V1=3.58±0.03V
 P1=3kPa
 P2=0mmHg
 N2=375r/min
 Q2=13.9±2.0cm³/1,000st(OLE)
 Q3=Full speed
 V2=0.80±0.45V
 V3=7.43±0.83V

N	V	Q	P	B
N1	V1	Q1	P1 (P2)	B
N2	V2	Q2		C
N3	V3	Q3		C



N1=1050r/min
 Q1=27.5±1.0cm³/1,000st
 V1=3.58±0.03V
 V1=10V

Adjustment of the potentiometer

Adjustment method (supply voltage V1, dummy bolt (A))

1. Hold the dummy bolt (A) against the control lever at position N = N1, Q = Q1.

Fix using the lock nut.

2. When adjusting the potentiometer, position the control lever to contact the dummy bolt (A).

Adjust the potentiometer so that the output voltage V is V1.

3. Remove the dummy bolt (A) after the completion of adjustment.

Confirm that the potentiometer output voltage is as specified above at the control lever idle position and the full position.

N: Pump speed

V: Output voltage

Q: Injection quantity

P: Boost pressure

B: Adjusting point

C: Checking point

(D): dummy bolt shape differs.

(E): Part numbers of the dummy bolt and the nut

146526-3300 (bolt) 42)

013025-6040 (nut)

Isuzu 280 Workshop Manual

M Mark



Isuzu 280 Workshop Manual:

Getting the books **Isuzu 280 Workshop Manual** now is not type of challenging means. You could not lonely going taking into consideration ebook store or library or borrowing from your connections to open them. This is an unquestionably simple means to specifically get lead by on-line. This online notice Isuzu 280 Workshop Manual can be one of the options to accompany you later having new time.

It will not waste your time. resign yourself to me, the e-book will definitely appearance you other matter to read. Just invest little times to gate this on-line broadcast **Isuzu 280 Workshop Manual** as well as evaluation them wherever you are now.

<https://staging.conocer.cide.edu/files/detail/default.aspx/Killed%20With%20A%20Pabion.pdf>

Table of Contents Isuzu 280 Workshop Manual

1. Understanding the eBook Isuzu 280 Workshop Manual
 - The Rise of Digital Reading Isuzu 280 Workshop Manual
 - Advantages of eBooks Over Traditional Books
2. Identifying Isuzu 280 Workshop Manual
 - Exploring Different Genres
 - Considering Fiction vs. Non-Fiction
 - Determining Your Reading Goals
3. Choosing the Right eBook Platform
 - Popular eBook Platforms
 - Features to Look for in an Isuzu 280 Workshop Manual
 - User-Friendly Interface
4. Exploring eBook Recommendations from Isuzu 280 Workshop Manual
 - Personalized Recommendations
 - Isuzu 280 Workshop Manual User Reviews and Ratings
 - Isuzu 280 Workshop Manual and Bestseller Lists
5. Accessing Isuzu 280 Workshop Manual Free and Paid eBooks

- Isuzu 280 Workshop Manual Public Domain eBooks
 - Isuzu 280 Workshop Manual eBook Subscription Services
 - Isuzu 280 Workshop Manual Budget-Friendly Options
6. Navigating Isuzu 280 Workshop Manual eBook Formats
 - ePub, PDF, MOBI, and More
 - Isuzu 280 Workshop Manual Compatibility with Devices
 - Isuzu 280 Workshop Manual Enhanced eBook Features
 7. Enhancing Your Reading Experience
 - Adjustable Fonts and Text Sizes of Isuzu 280 Workshop Manual
 - Highlighting and Note-Taking Isuzu 280 Workshop Manual
 - Interactive Elements Isuzu 280 Workshop Manual
 8. Staying Engaged with Isuzu 280 Workshop Manual
 - Joining Online Reading Communities
 - Participating in Virtual Book Clubs
 - Following Authors and Publishers Isuzu 280 Workshop Manual
 9. Balancing eBooks and Physical Books Isuzu 280 Workshop Manual
 - Benefits of a Digital Library
 - Creating a Diverse Reading Collection Isuzu 280 Workshop Manual
 10. Overcoming Reading Challenges
 - Dealing with Digital Eye Strain
 - Minimizing Distractions
 - Managing Screen Time
 11. Cultivating a Reading Routine Isuzu 280 Workshop Manual
 - Setting Reading Goals Isuzu 280 Workshop Manual
 - Carving Out Dedicated Reading Time
 12. Sourcing Reliable Information of Isuzu 280 Workshop Manual
 - Fact-Checking eBook Content of Isuzu 280 Workshop Manual
 - Distinguishing Credible Sources
 13. Promoting Lifelong Learning
 - Utilizing eBooks for Skill Development

- Exploring Educational eBooks
- 14. Embracing eBook Trends
 - Integration of Multimedia Elements
 - Interactive and Gamified eBooks

Isuzu 280 Workshop Manual Introduction

In this digital age, the convenience of accessing information at our fingertips has become a necessity. Whether its research papers, eBooks, or user manuals, PDF files have become the preferred format for sharing and reading documents. However, the cost associated with purchasing PDF files can sometimes be a barrier for many individuals and organizations. Thankfully, there are numerous websites and platforms that allow users to download free PDF files legally. In this article, we will explore some of the best platforms to download free PDFs. One of the most popular platforms to download free PDF files is Project Gutenberg. This online library offers over 60,000 free eBooks that are in the public domain. From classic literature to historical documents, Project Gutenberg provides a wide range of PDF files that can be downloaded and enjoyed on various devices. The website is user-friendly and allows users to search for specific titles or browse through different categories. Another reliable platform for downloading Isuzu 280 Workshop Manual free PDF files is Open Library. With its vast collection of over 1 million eBooks, Open Library has something for every reader. The website offers a seamless experience by providing options to borrow or download PDF files. Users simply need to create a free account to access this treasure trove of knowledge. Open Library also allows users to contribute by uploading and sharing their own PDF files, making it a collaborative platform for book enthusiasts. For those interested in academic resources, there are websites dedicated to providing free PDFs of research papers and scientific articles. One such website is Academia.edu, which allows researchers and scholars to share their work with a global audience. Users can download PDF files of research papers, theses, and dissertations covering a wide range of subjects. Academia.edu also provides a platform for discussions and networking within the academic community. When it comes to downloading Isuzu 280 Workshop Manual free PDF files of magazines, brochures, and catalogs, Issuu is a popular choice. This digital publishing platform hosts a vast collection of publications from around the world. Users can search for specific titles or explore various categories and genres. Issuu offers a seamless reading experience with its user-friendly interface and allows users to download PDF files for offline reading. Apart from dedicated platforms, search engines also play a crucial role in finding free PDF files. Google, for instance, has an advanced search feature that allows users to filter results by file type. By specifying the file type as "PDF," users can find websites that offer free PDF downloads on a specific topic. While downloading Isuzu 280 Workshop Manual free PDF files is convenient, its important to note that copyright laws must be respected. Always ensure that the PDF files you download are legally available

for free. Many authors and publishers voluntarily provide free PDF versions of their work, but it's essential to be cautious and verify the authenticity of the source before downloading Isuzu 280 Workshop Manual. In conclusion, the internet offers numerous platforms and websites that allow users to download free PDF files legally. Whether it's classic literature, research papers, or magazines, there is something for everyone. The platforms mentioned in this article, such as Project Gutenberg, Open Library, Academia.edu, and Issuu, provide access to a vast collection of PDF files. However, users should always be cautious and verify the legality of the source before downloading Isuzu 280 Workshop Manual any PDF files. With these platforms, the world of PDF downloads is just a click away.

FAQs About Isuzu 280 Workshop Manual Books

How do I know which eBook platform is the best for me? Finding the best eBook platform depends on your reading preferences and device compatibility. Research different platforms, read user reviews, and explore their features before making a choice. Are free eBooks of good quality? Yes, many reputable platforms offer high-quality free eBooks, including classics and public domain works. However, make sure to verify the source to ensure the eBook credibility. Can I read eBooks without an eReader? Absolutely! Most eBook platforms offer web-based readers or mobile apps that allow you to read eBooks on your computer, tablet, or smartphone. How do I avoid digital eye strain while reading eBooks? To prevent digital eye strain, take regular breaks, adjust the font size and background color, and ensure proper lighting while reading eBooks. What the advantage of interactive eBooks? Interactive eBooks incorporate multimedia elements, quizzes, and activities, enhancing the reader engagement and providing a more immersive learning experience. Isuzu 280 Workshop Manual is one of the best books in our library for free trial. We provide copy of Isuzu 280 Workshop Manual in digital format, so the resources that you find are reliable. There are also many eBooks of related with Isuzu 280 Workshop Manual. Where to download Isuzu 280 Workshop Manual online for free? Are you looking for Isuzu 280 Workshop Manual PDF? This is definitely going to save you time and cash in something you should think about. If you're trying to find then search around for online. Without a doubt there are numerous these available and many of them have the freedom. However without doubt you receive whatever you purchase. An alternate way to get ideas is always to check another Isuzu 280 Workshop Manual. This method for see exactly what may be included and adopt these ideas to your book. This site will almost certainly help you save time and effort, money and stress. If you are looking for free books then you really should consider finding to assist you try this. Several of Isuzu 280 Workshop Manual are for sale to free while some are payable. If you aren't sure if the books you would like to download works with for usage along with your computer, it is possible to download free trials. The free guides make it easy for someone to free access online library for download books to your device. You can get free download on free

trial for lots of books categories. Our library is the biggest of these that have literally hundreds of thousands of different products categories represented. You will also see that there are specific sites catered to different product types or categories, brands or niches related with Isuzu 280 Workshop Manual. So depending on what exactly you are searching, you will be able to choose e books to suit your own need. Need to access completely for Campbell Biology Seventh Edition book? Access Ebook without any digging. And by having access to our ebook online or by storing it on your computer, you have convenient answers with Isuzu 280 Workshop Manual To get started finding Isuzu 280 Workshop Manual, you are right to find our website which has a comprehensive collection of books online. Our library is the biggest of these that have literally hundreds of thousands of different products represented. You will also see that there are specific sites catered to different categories or niches related with Isuzu 280 Workshop Manual So depending on what exactly you are searching, you will be able to choose ebook to suit your own need. Thank you for reading Isuzu 280 Workshop Manual. Maybe you have knowledge that, people have search numerous times for their favorite readings like this Isuzu 280 Workshop Manual, but end up in harmful downloads. Rather than reading a good book with a cup of coffee in the afternoon, instead they juggled with some harmful bugs inside their laptop. Isuzu 280 Workshop Manual is available in our book collection an online access to it is set as public so you can download it instantly. Our digital library spans in multiple locations, allowing you to get the most less latency time to download any of our books like this one. Merely said, Isuzu 280 Workshop Manual is universally compatible with any devices to read.

Find Isuzu 280 Workshop Manual :

killed with a pabion

kids projects for rainy days by

kikkoman company clan and community

killjoys of the cinema a schmovie g

~~kill the messenger the war on standardized testing.~~

killy the sports career of jeanclaude killy sports legends

kids sing n play mother goose gospel 2 piano

keyboarding 2nd edition

key skills basic skills communication

~~kibing companion secret techniques of over 500 exotic kibes~~

kids for kids mebages of hope love from the nations children

~~kids camping from aaaaii to zip~~

kids email and letters from camp

~~killin~~g time in buffalo

~~keys to nutrition over fifty~~

Isuzu 280 Workshop Manual :

Marcy Mathworks Marcy Mathworks · PRODUCTS · Punchline Algebra · Punchline Bridge to Algebra · Punchline Problem Solving · Middle School Math with Pizzazz! Mathimagination. Punchline Bridge To Algebra Answer Key - Fill Online ... Fill Punchline Bridge To Algebra Answer Key, Edit online. Sign, fax and printable from PC, iPad, tablet or mobile with pdfFiller Instantly. Try Now! Punchline Algebra Punchline Algebra provides carefully structured exercise sets to build mastery of both procedures and concepts. And it includes numerous thoughtfully designed ... Section 11 Answers Answers. Pages 11.7 -11.9 extra for teachers. Answers 3. WE NEED TO FIND. MORE HOURS FOR. OUR SHELVES. 11.9. PUNCHLINE • Algebra • Book B. ©2006 Marcy Mathworks ... Punchline Algebra Book A Answer Key Fill Punchline Algebra Book A Answer Key, Edit online. Sign, fax and printable from PC, iPad, tablet or mobile with pdfFiller Instantly. Try Now! Bridge to Algebra Pizzazz Published by Marcy Mathworks: PUNCHLINE Problem Solving • 2nd Edition ... PUNCHLINE Bridge to Algebra. ©2001 Marcy Mathworks. • 16 • $x+5$. $2x + 3$. Expressions ... What Do Man-Eating Fish Use For Barbeques? answer to title question: Shark Coal. EXTRA: Planning for a Backpacking Trip. Trex is ... PUNCHLINE Algebra Book A. ©2006 Marcy Mathworks. . 60cal. 107. L. F. What Do You Get When You Cross a Monastery With a Lion? Write the two letters for each correct answer in the two boxes with the exercise number. ... PUNCHLINE • Algebra • Book A. ©2006 Marcy Mathworks. Page 2. 3. $x+y=$... how-can-you...elimination-key.pdf @ ,qr algebra teacher drove by a farmyard full of chickens and ... How many pigs were there? b5 ehic_L*r.5, 55 f. , ffi. PUNCHLINE . Algebra o Book A. @2006 Marcy ... Get Punchline Algebra Book A Answer Key Pdf Complete Punchline Algebra Book A Answer Key Pdf online with US Legal Forms. Easily fill out PDF blank, edit, and sign them. Save or instantly send your ... 1. AB Calculus - Step-by-Step Name Write, but do not solve, an equation involving an integral expression whose solution k would be the number of days the height of the snow would be half of its ... Step by Step Student Let f be a twice-differentiable function defined on the interval. $0.5 < x < 4.5$ with $f'(x) = 3$. The graph of f, the derivative of f is shown to the right. 70. AB Calculus - Step-by-Step Name Stu Schwartz. 70. AB Calculus - Step-by-Step. Name ... Describe the region in the xy-plane in which all the solutions to the differential equation are concave ... ABReview Stu Schwartz AB Calculus Exam - Review Sheet - Solutions. A. Precalculus Type problems ... $f(x)$. Step 1: Find $f(a)$. If you get a zero in the denominator,. Step 2 ... Diff EQ Practice.pdf - 70. AB Calculus - Step-by-Step Name View Diff_EQ_Practice.pdf from MATH 1300 at Brooklyn College, CUNY. 70. AB Calculus - Step-by-Step Name _ Consider the differential equation $dy + 1 = . dx$... AB Calculus Manual (Revised 12/2019) This manual can easily replace an expensive

textbook. Teachers teach right from it and students write in it. The Solution Manual is exactly the same as the ... AB Calculus - Step-by-Step - 24. Function Analysis There is a relative maximum at $x=2$ as f' switches from positive to negative. b. On what intervals is the graph of f concave upward? Justify your answers. (2). [img-X26071655-0001](#) - 24. AB Calculus Step-by- ... View [img-X26071655-0001](#) from MATH 2215 at Cameron University. 24. AB Calculus Step-by-Step Name The gure to the right shows the graph of f , the derivative ... MasterMathMentor AB31 - Definite Integrals with u-Substitution MMM AB Calculus MasterMath Mentor AB0102 - Intro to Calculus / Tangent line problem. Stu Schwartz · 28:56. MasterMathMentor AB03 - Rates of Change. RESOURCES (Gr. 5) - MS. TRACY BEHL 4A - Weebly RESOURCES (Grade 5). MATH MAKES SENSE 5. MMS5 Practice & Homework Book - [mms5_practice__homework_book.pdf](#). MMS5 Textbook - [mscieszki.weebly.com/math-5.html](#). Math Makes Sense Grade 5 Answer Book Math Makes Sense Grade 5 Answer Book. \$12.99. Math Makes Sense Grade 5 Answer Book quantity. Add to cart. SKU: MAGENPEA05C Category: Math Makes Sense Tag: ... Math 5 - Ms. Ciezki's Grade 5 Website Math Makes Sense 5 Textbook: Unit 1 - Patterns and Equations · Unit 2 - Whole Numbers · Unit 3 - Multiplying and Dividing Whole Numbers Answers Math Makes Sense 5 PG 45-47 | PDF answers math makes sense 5 pg 45-47 - Free download as Word Doc (.doc / .docx), PDF File (.pdf), Text File (.txt) or read online for free. Answer key for Math Makes Sense 5 Practice and ... Read 3 reviews from the world's largest community for readers. Answer Key for Math Makes Sense 5 Practice and Homework Book. math makes sense grade 5 workbook answers Math is the study of numbers, shapes, and patterns.. 956 006 c) math makes sense 6 textbook Gr5 Math Makes Sense Math Textbook Answers Pdf - BYU. Books by ... Math Makes Sense - Pearson WNCP Edition, Grade 5 ... Read reviews from the world's largest community for readers. Answer Key for Math Makes Sense - 5, Student Text Book, Pearson WNCP and Atlantic Edition. All... Grade 5 Math - Ms. Benson's Div. 6 Choose Kind! Home · LOG IN · Grade 4 Math · Grade 5 Math · ADST · News and Research Links ... Reading free Gr5 math makes sense math textbook ... Apr 11, 2023 — Math Makes Sense Common Sense Mathematics: Second Edition Math Makes Sense 5: v.2. Math makes sense 5 practice and homework book, teacher's.