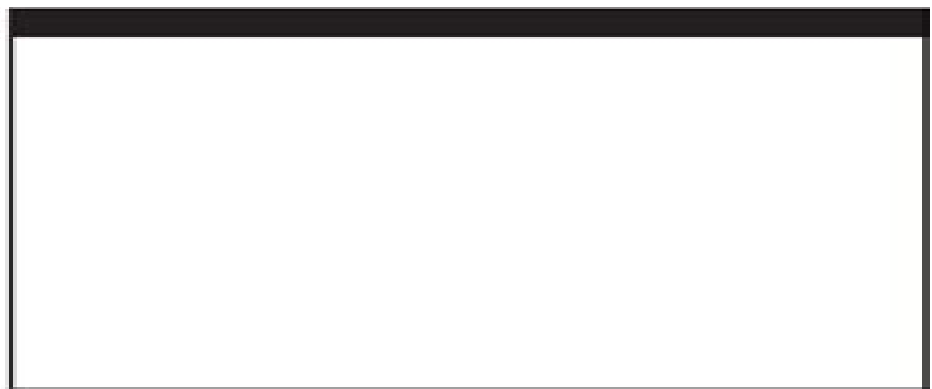
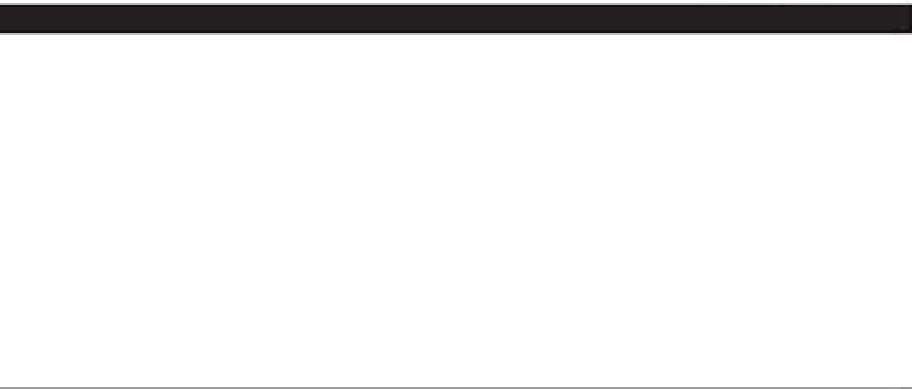
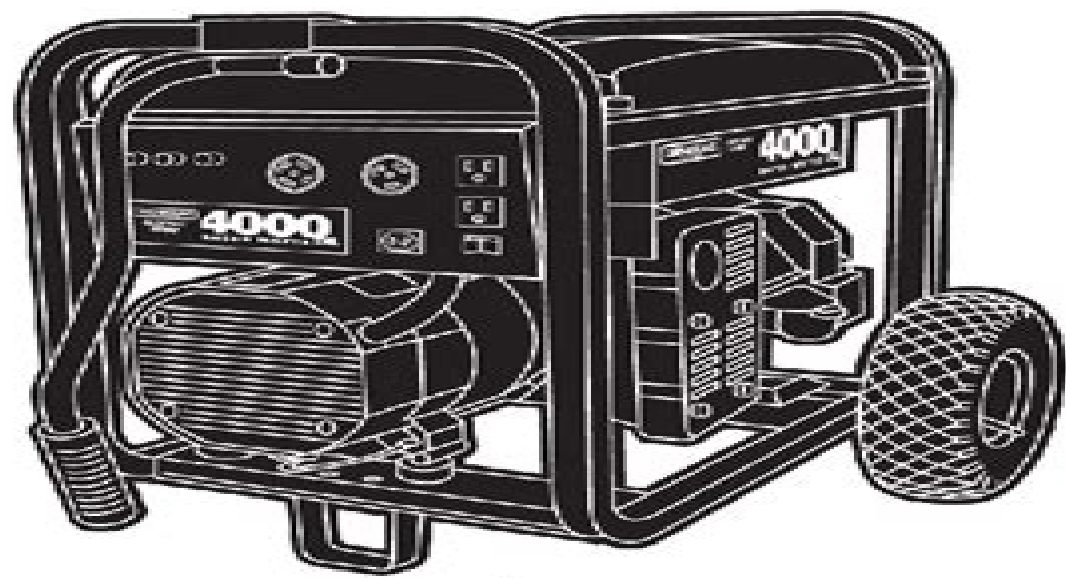




**4000** EXL  
RATED WATT

**EXTENDED LIFE GENERATOR**



# Generac Exl 4000 Watt Manual

**JR Anderson**



## **Generac Exl 4000 Watt Manual:**

Ignite the flame of optimism with is motivational masterpiece, Fuel Your Spirit with **Generac Exl 4000 Watt Manual** . In a downloadable PDF format ( Download in PDF: \*), this ebook is a beacon of encouragement. Download now and let the words propel you towards a brighter, more motivated tomorrow.

[https://staging.conocer.cide.edu/book/browse/HomePages/elevator\\_guide\\_safety\\_catch\\_devised.pdf](https://staging.conocer.cide.edu/book/browse/HomePages/elevator_guide_safety_catch_devised.pdf)

## **Table of Contents Generac Exl 4000 Watt Manual**

1. Understanding the eBook Generac Exl 4000 Watt Manual
  - The Rise of Digital Reading Generac Exl 4000 Watt Manual
  - Advantages of eBooks Over Traditional Books
2. Identifying Generac Exl 4000 Watt Manual
  - Exploring Different Genres
  - Considering Fiction vs. Non-Fiction
  - Determining Your Reading Goals
3. Choosing the Right eBook Platform
  - Popular eBook Platforms
  - Features to Look for in an Generac Exl 4000 Watt Manual
  - User-Friendly Interface
4. Exploring eBook Recommendations from Generac Exl 4000 Watt Manual
  - Personalized Recommendations
  - Generac Exl 4000 Watt Manual User Reviews and Ratings
  - Generac Exl 4000 Watt Manual and Bestseller Lists
5. Accessing Generac Exl 4000 Watt Manual Free and Paid eBooks
  - Generac Exl 4000 Watt Manual Public Domain eBooks
  - Generac Exl 4000 Watt Manual eBook Subscription Services
  - Generac Exl 4000 Watt Manual Budget-Friendly Options
6. Navigating Generac Exl 4000 Watt Manual eBook Formats

- ePub, PDF, MOBI, and More
  - Generac Exl 4000 Watt Manual Compatibility with Devices
  - Generac Exl 4000 Watt Manual Enhanced eBook Features
7. Enhancing Your Reading Experience
    - Adjustable Fonts and Text Sizes of Generac Exl 4000 Watt Manual
    - Highlighting and Note-Taking Generac Exl 4000 Watt Manual
    - Interactive Elements Generac Exl 4000 Watt Manual
  8. Staying Engaged with Generac Exl 4000 Watt Manual
    - Joining Online Reading Communities
    - Participating in Virtual Book Clubs
    - Following Authors and Publishers Generac Exl 4000 Watt Manual
  9. Balancing eBooks and Physical Books Generac Exl 4000 Watt Manual
    - Benefits of a Digital Library
    - Creating a Diverse Reading Collection Generac Exl 4000 Watt Manual
  10. Overcoming Reading Challenges
    - Dealing with Digital Eye Strain
    - Minimizing Distractions
    - Managing Screen Time
  11. Cultivating a Reading Routine Generac Exl 4000 Watt Manual
    - Setting Reading Goals Generac Exl 4000 Watt Manual
    - Carving Out Dedicated Reading Time
  12. Sourcing Reliable Information of Generac Exl 4000 Watt Manual
    - Fact-Checking eBook Content of Generac Exl 4000 Watt Manual
    - Distinguishing Credible Sources
  13. Promoting Lifelong Learning
    - Utilizing eBooks for Skill Development
    - Exploring Educational eBooks
  14. Embracing eBook Trends
    - Integration of Multimedia Elements
    - Interactive and Gamified eBooks

## Generac Exl 4000 Watt Manual Introduction

In the digital age, access to information has become easier than ever before. The ability to download Generac Exl 4000 Watt Manual has revolutionized the way we consume written content. Whether you are a student looking for course material, an avid reader searching for your next favorite book, or a professional seeking research papers, the option to download Generac Exl 4000 Watt Manual has opened up a world of possibilities. Downloading Generac Exl 4000 Watt Manual provides numerous advantages over physical copies of books and documents. Firstly, it is incredibly convenient. Gone are the days of carrying around heavy textbooks or bulky folders filled with papers. With the click of a button, you can gain immediate access to valuable resources on any device. This convenience allows for efficient studying, researching, and reading on the go. Moreover, the cost-effective nature of downloading Generac Exl 4000 Watt Manual has democratized knowledge. Traditional books and academic journals can be expensive, making it difficult for individuals with limited financial resources to access information. By offering free PDF downloads, publishers and authors are enabling a wider audience to benefit from their work. This inclusivity promotes equal opportunities for learning and personal growth. There are numerous websites and platforms where individuals can download Generac Exl 4000 Watt Manual. These websites range from academic databases offering research papers and journals to online libraries with an expansive collection of books from various genres. Many authors and publishers also upload their work to specific websites, granting readers access to their content without any charge. These platforms not only provide access to existing literature but also serve as an excellent platform for undiscovered authors to share their work with the world. However, it is essential to be cautious while downloading Generac Exl 4000 Watt Manual. Some websites may offer pirated or illegally obtained copies of copyrighted material. Engaging in such activities not only violates copyright laws but also undermines the efforts of authors, publishers, and researchers. To ensure ethical downloading, it is advisable to utilize reputable websites that prioritize the legal distribution of content. When downloading Generac Exl 4000 Watt Manual, users should also consider the potential security risks associated with online platforms. Malicious actors may exploit vulnerabilities in unprotected websites to distribute malware or steal personal information. To protect themselves, individuals should ensure their devices have reliable antivirus software installed and validate the legitimacy of the websites they are downloading from. In conclusion, the ability to download Generac Exl 4000 Watt Manual has transformed the way we access information. With the convenience, cost-effectiveness, and accessibility it offers, free PDF downloads have become a popular choice for students, researchers, and book lovers worldwide. However, it is crucial to engage in ethical downloading practices and prioritize personal security when utilizing online platforms. By doing so, individuals can make the most of the vast array of free PDF resources available and embark on a journey of continuous learning and intellectual growth.

## FAQs About Generac Exl 4000 Watt Manual Books

**What is a Generac Exl 4000 Watt Manual PDF?** A PDF (Portable Document Format) is a file format developed by Adobe that preserves the layout and formatting of a document, regardless of the software, hardware, or operating system used to view or print it. **How do I create a Generac Exl 4000 Watt Manual PDF?** There are several ways to create a PDF: Use software like Adobe Acrobat, Microsoft Word, or Google Docs, which often have built-in PDF creation tools. **Print to PDF:** Many applications and operating systems have a "Print to PDF" option that allows you to save a document as a PDF file instead of printing it on paper. **Online converters:** There are various online tools that can convert different file types to PDF. **How do I edit a Generac Exl 4000 Watt Manual PDF?** Editing a PDF can be done with software like Adobe Acrobat, which allows direct editing of text, images, and other elements within the PDF. Some free tools, like PDFescape or Smallpdf, also offer basic editing capabilities. **How do I convert a Generac Exl 4000 Watt Manual PDF to another file format?** There are multiple ways to convert a PDF to another format: Use online converters like Smallpdf, Zamzar, or Adobe Acrobat's export feature to convert PDFs to formats like Word, Excel, JPEG, etc. Software like Adobe Acrobat, Microsoft Word, or other PDF editors may have options to export or save PDFs in different formats. **How do I password-protect a Generac Exl 4000 Watt Manual PDF?** Most PDF editing software allows you to add password protection. In Adobe Acrobat, for instance, you can go to "File" -> "Properties" -> "Security" to set a password to restrict access or editing capabilities. **Are there any free alternatives to Adobe Acrobat for working with PDFs?** Yes, there are many free alternatives for working with PDFs, such as: LibreOffice: Offers PDF editing features. PDFsam: Allows splitting, merging, and editing PDFs. Foxit Reader: Provides basic PDF viewing and editing capabilities. **How do I compress a PDF file?** You can use online tools like Smallpdf, ILovePDF, or desktop software like Adobe Acrobat to compress PDF files without significant quality loss. Compression reduces the file size, making it easier to share and download. **Can I fill out forms in a PDF file?** Yes, most PDF viewers/editors like Adobe Acrobat, Preview (on Mac), or various online tools allow you to fill out forms in PDF files by selecting text fields and entering information. **Are there any restrictions when working with PDFs?** Some PDFs might have restrictions set by their creator, such as password protection, editing restrictions, or print restrictions. Breaking these restrictions might require specific software or tools, which may or may not be legal depending on the circumstances and local laws.

### Find Generac Exl 4000 Watt Manual :

[elevator guide safety catch devise](#)

[elixir 45 amp converter manual](#)

[emathinstruction algrebra sample exams](#)

*ellery car manual vectra*

*emc symmetrix performance management lab guide*

*elna 8000 sewing machine manual*

**elisa plate template**

*eleventh std maths volume 1 guide*

**elle par bonheur et toujours nue**

*elite 6700 water softener manual*

**emergency medical responder ninth edition handout 12 3**

**elna tsp sewing machine manual**

*emily andrews gets denied bdsm studentteacher eroticaemily andrewsenglish edition*

**elna 745 instruction manual**

*elgin eagle series f operators manual*

**Generac Exl 4000 Watt Manual :**

*how to optimize the design of your supply chain network - Apr 30 2022*

web your supply chain network forms the foundation that your business is built upon designing and deploying a robust supply chain network will position your company for growth while failing to do so can put your business on shaky ground the process of designing a supply chain network involves critical strategic decisions that have a huge

**supply chain network design be efficient 2023 dfreight org - Mar 30 2022**

web jul 31 2023 supply chain network design refers to the strategic process of configuring and reconfiguring a company s supply chain network to achieve specific objectives efficiently it involves making critical decisions regarding the location and capacity of facilities distribution centers warehouses transportation routes and inventory levels

*supply chain design issues challenges frameworks and solutions - Dec 27 2021*

web a framework of supply chain design is proposed that comprehends three key levels of factors critical in understanding supply chain design influencers design decisions and building blocks influencers are higher level considerations such as the business and political environment the business model employed the firm s desired outcomes and

*optimal design of supply chain network under uncertainty - Feb 09 2023*

web apr 17 2017 models that aim to optimize the design of supply chain networks have gained more interest in the supply chain literature mixed integer linear programming and discrete event simulation are widely used for such an optimization problem



**supply chain network design applying optimization and** - Aug 15 2023

web supply chain network design will help students academics and practitioners alike understand the importance of successfully designing and optimizing a global supply chain network while also explaining in easy to understand steps how to make it happen

**supply chain network design explained gep** - Dec 07 2022

web june 14 2022 supply chain strategy the supply chain network design is defined as a working model that delineates the overall framework of a supply chain to assess the time and costs required to bring goods to the market this model helps a business spot inefficiencies and potential risks in the supply chain

**flexible reliable supply chain network design the essentials** - Jan 08 2023

web dec 12 2022 for 2023 and beyond leaders must make their supply chain networks more flexible and responsive advises clients on a wide range of strategy operations supply chain and procurement topics in sectors including high tech retail apparel private equity banking and telecoms based in shenzhen xiaorui focuses his expertise on the

**optimizing your supply chain the power of network design** - Jan 28 2022

web integrating sustainability and resilience into network design allows companies to optimize their supply chains while building robust and sustainable systems capable of weathering disruptions and contributing to long term success supply chain network design and optimization striking the right balance

**a manager s guide to getting started with supply chain network design** - Jul 14 2023

web the goal of supply chain network design is to evaluate your supply chain and identify where you can make improvements or optimize for cost avoidance your supply chain network and needs are as unique as your business some variables and constraints can be changed to enhance your network design and some can t

**supply chain network design mastering the art** - Feb 26 2022

web jun 11 2023 businesses may build an effective and efficient supply chain network by understanding the many components of the supply chain considering the various elements that influence supply chain architecture

**what is supply chain network design why is it important** - Jul 02 2022

web jul 22 2021 supply chain network design optimizes a company s supply chain structure and configuration to meet strategic and operational goals learn key factors for a competitive advantage and how to build the best supply chain

**supply chain network design understanding the opt copy** - Mar 10 2023

web creating supply chain networks examines the risks faced by modern supply chains and shows how to develop plausible future scenarios to evaluate potential scn designs the design methods

**optilogic what is supply chain network design** - Aug 03 2022

web may 5 2023 supply chain network design is modeling the future state versus the as is state it s an ongoing process to evaluate the end to end supply chain to make data driven decisions using advanced analytics and human knowledge balancing cost

[a review on sustainable supply chain network design dimensions](#) - Apr 11 2023

web jan 1 2022 supply chain network design consists of two levels of decisions first level decisions focus on determining the configuration of network by optimizing the number of facilities and selecting the best network locations these decisions are very expensive to be changed as are taken at strategic level 94

*supply chain network design understanding the opt copy* - Jun 01 2022

web this edited book describes new trends in supply chain design and management with an emphasis on technologies and methodologies it contains guidelines detailing the real world applications of these

*supply chain network design and optimization envista* - Oct 05 2022

web supply chain network optimization allows companies to step out of the mire of day to day operations and examine their end to end supply chain and processes from a more analytical perspective this has many benefits including lowered costs the supply chain network optimization process looks at every step of an organization s supply chain

*understanding supply chain network design everstream ai* - Jun 13 2023

web supply chain network design is most successful when you bring disparate pieces of data together to formulate a complete view of your supply chain through modeling and what if scenarios leaders can manipulate the data to see every possible option before deciding on a plan how to design your supply chain network

**supply chain network design cips** - May 12 2023

web aug 24 2023 a supply chain network consists of five fundamental components strategy having a strategy will drive your supply chain design based on business goals objectives market needs and expectations make sure to include the development and management of business processes performance targets organisation structures and information

*what is supply chain network design and how does it work* - Sep 04 2022

web supply chain network design is the process of building and modeling a supply chain to better understand the costs and time associated with bringing goods to market with the resources and locations available

*a multi objective optimization model for designing resilient supply* - Nov 06 2022

web oct 1 2018 in this paper we present a multi objective optimization based network design methodology to help supply chain architects improve the effectiveness of their supply chain networks our methodology effectively evaluates the trade off between two conflicting objective functions of interest minimizing total supply chain costs and maximizing

**an aunt bessie collection stu the nineteenth twentieth and** - May 12 2023

web an aunt bessie collection stu the nineteenth twentieth and twenty first books in the isle of man cozy mystery series ebook  
xarissa diana amazon com au kindle store

*an aunt bessie collection stu the nineteenth twen pdf* - Jan 08 2023

web an aunt bessie collection stu the nineteenth twen radical innocence jun 27 2023 on october 30 1947 the house  
committee on un american activities concluded the first round of hearings on the alleged communist infiltration of the motion  
picture industry hollywood was ordered to clean its own house and ten

an aunt bessie collection stu the nineteenth twen download - Apr 11 2023

web an aunt bessie collection stu the nineteenth twen as recognized adventure as without difficulty as experience practically  
lesson amusement as well as conformity can be gotten by just checking out a book an aunt bessie collection stu the  
nineteenth twen in addition to it is not directly done you could undertake even more with reference

**an aunt bessie collection stu the nineteenth twen pdf** - Mar 10 2023

web bessie collection stu the nineteenth twen a literary masterpiece penned by a renowned author readers embark on a  
transformative journey unlocking the secrets and untapped potential embedded within each word

aunt bessie little taste of home - Mar 30 2022

web aunt bessie honey glazed roast parsnips 500g 10 59 cad aunt bessie honey glazed roast parsnips 500g 10 59 cad local  
delivery or pickup only no shipping ingredient parsnips 85 palm oil wheat flour orange blossom view

**an aunt bessie collection stu the nineteenth twen pdf** - Aug 03 2022

web apr 15 2023 present an aunt bessie collection stu the nineteenth twen and numerous ebook collections from fictions to  
scientific research in any way in the midst of them is this an aunt bessie collection stu the nineteenth twen that can be your  
partner american baptist missionary magazine and missionary intelligencer 1893 volumes

*an aunt bessie collection stu the nineteenth twen pdf pdf* - Dec 27 2021

web an aunt bessie collection stu the nineteenth twen pdf pages 2 5 an aunt bessie collection stu the nineteenth twen pdf  
upload dona z hayda 2 5 downloaded from api2 igetweb com on september 5 2023 by dona z hayda final report of the truth  
and reconciliation commission of canada volume one summary

*an aunt bessie collection stu the nineteenth twentieth and* - Aug 15 2023

web jun 6 2019 an aunt bessie collection stu the nineteenth twentieth and twenty first books in the isle of man cozy mystery  
series kindle edition by xarissa diana download it once and read it on your kindle device pc phones or tablets

an aunt bessie collection stu the nineteenth twen pdf pdf - Jun 13 2023

web the lives and works of women artists in the harlem renaissance jessie redmon fauset nella larsen zora neale hurston  
bessie smith and others their achievements reflect the struggle of a generation of literary women to depict the lives of black

people especially black women honestly and artfully the billboard 1944

**an aunt bessie collection stu the nineteenth twen pdf** - Jul 02 2022

web mar 2 2023 an aunt bessie collection stu the nineteenth twen 1 8 downloaded from uniport edu ng on march 2 2023 by

guest an aunt bessie collection stu the nineteenth twen as recognized adventure as well as experience not quite lesson

amusement as with ease as concord can be gotten by just checking out a ebook an aunt bessie collection

*amazon com au customer reviews an aunt bessie collection stu* - Feb 09 2023

web find helpful customer reviews and review ratings for an aunt bessie collection stu the nineteenth twentieth and twenty

first books in the isle of man cozy mystery series at amazon com read honest and unbiased product reviews from our users

[aunt bessie s finest quality meats aunt bessie s foods](#) - Jan 28 2022

web aunt bessie s finest quality meats has been bringing friends and family together since 1958 our products provide

everything you ll need for the perfect bbq products

**aunt cissy tv series 2019 imdb** - Apr 30 2022

web aunt cissy with miles tagtmeyer kathy garver carlo mendez madison ashley young

**an aunt bessie collection stu the nineteenth twentieth and** - Jul 14 2023

web an aunt bessie collection stu the nineteenth twentieth and twenty first books in the isle of man cozy mystery series

kindle edition by diana xarissa author format kindle edition

[an aunt bessie collection stu the nineteenth twen pdf](#) - Sep 04 2022

web on line this online broadcast an aunt bessie collection stu the nineteenth twen can be one of the options to accompany

you behind having other time it will not waste your time bow to me the e book will unconditionally impression you extra

situation to read just invest tiny times to gate this on line pronouncement an aunt bessie collection

*an aunt bessie collection stu the nineteenth twentieth and* - Dec 07 2022

web an aunt bessie collection stu the nineteenth twentieth and twenty first books in the isle of man cozy mystery series

english edition ebook xarissa diana amazon es tienda kindle

**an aunt bessie collection stu the nineteenth twen** - Oct 05 2022

web an aunt bessie collection stu the nineteenth twen pdf an aunt bessie collection stu the nineteenth twen 2 downloaded

from analytics test makestories io on by guest from apology for these events to true reconciliation that can be embraced by

all canadians moderator topics 1921 beginning to read and the spin doctors of science denny

**aunt bessie s wikipedia** - Feb 26 2022

web website auntbessies co uk aunt bessie s limited until 2008 known as tryton foods ltd is a uk producer of frozen food

products under the brand name aunt bessie s the company produces frozen yorkshire puddings potato products meal

accompaniments ready meals vegetables and desserts

**an aunt bessie collection vwx the twenty second twenty** - Nov 06 2022

web may 14 2020 an aunt bessie collection stu the nineteenth twentieth and twenty first books in the isle of man cozy mystery series diana xarissa 4 6 out of 5 stars 276

**aunt bessie s picture book aunt bessie 9781173556693** - Jun 01 2022

web jul 17 2011 aunt bessie s picture book aunt bessie on amazon com free shipping on qualifying offers aunt bessie s picture book

**christopher columbus wikipedia** - Aug 22 2023

web the name christopher columbus is the anglicisation of the latin christophorus columbus growing up on the coast of liguria he went to sea at a young age and travelled widely as far north as the british isles and as far south as what is now ghana

*christopher columbus türkçe bilgi* - Jan 15 2023

web christopher columbus kısaca kristof kolomb portekizce cristóvão colombo İtalyanca cristoforo colombo İspanyolca cristóbal colón latince christopher columbus 31 ekim 1450 30 ekim 1451 20 mayıs 1506 cenovalı kaşif gezgin ve sömürgeci İspanya nın katolik kralları himayesinde atlas okyanusu nu aşan dört sefer

*kolumbus entdeckt amerika 1492 youtube* - Jan 03 2022

web dec 26 2008 kolumbus entdeckt amerika 1492 metallger 339 subscribers 97k views 14 years ago christoph kolumbus ital cristoforo colombo span cristóbal colón port cristóvão colombo engl

*dna study sets out to establish true origins of christopher columbus* - Nov 13 2022

web may 19 2021 reuters in madrid spanish researchers have launched a new attempt to finally settle the dispute over the true origins of christopher columbus after various theories have claimed the explorer

*christoph kolumbus klexikon das kinderlexikon* - Mar 05 2022

web christoph kolumbus war ein abenteurer aus italien man nennt ihn den entdeckter amerikas obwohl er nicht der erste europäer in amerika war viermal fuhr er mit seinen schiffen von europa nach amerika und wieder zurück seine erste reise fand in den jahren 1492 und 1493 statt bald wurde in ganz europa bekannt was er entdeckt hatte

[kolumbus der entdeckter amerikas geo](#) - Aug 10 2022

web wer war christoph kolumbus das geburtsdatum von christoph kolumbus ist bis heute nicht bekannt da er zu lebzeiten niemandem sagte woher er wirklich kam weiß man auch heute nichts genaues über seinen geburtsort oder seine familie erst seine beiden testamente von 1498 und 1506 und weitere beweis ließen darauf schließen dass

**christopher columbus ne demek ileilgili org** - Jun 08 2022

web christopher columbus türkçesi christopher columbus nedir cristobal colon christopher columbus un ilk adı kristof kolombo kolombo 1451 1506 1492 yılında amerika yı keşfetmiş olan italyan bir gezgin ve kaşif  
*kolumbus und die eroberung amerikas planet wissen* - Sep 11 2022

web christoph kolumbus wollte einen seeweg nach asien finden und erreichte statt dessen 1492 amerika bei seiner vermeintlichen entdeckung stieß er auf eine andere welt und zugleich eine neue zeit an die europäer eroberten amerika und brachten dabei millionen menschen unermessliches leid  
*kinderzeitmaschine | kolumbus* - Feb 04 2022

web christoph kolumbus gilt heute als der entdecker amerikas dass vor ihm schon die wikinger auf dem amerikanischen kontinent gelandet waren wurde erst viel später bekannt kolumbus selbst glaubte sein leben lang er hätte den seeweg nach indien gefunden dass er einen neuen kontinent entdeckt hatte hat er nie erfahren  
*christopher columbus kimdir christopher columbus hayatı ve* - Dec 14 2022

web jun 16 2020 christopher columbus ağustos ve ekim 1451 arasında cenova da doğdu babası dokumacı ve küçük bir tüccardı bir gençken christopher denize gitti kapsamlı seyahat etti ve sonunda portekiz i üs yaptı başlangıçta orient e hintlilerin teşebbüsü batıya doğru bir yolculuk için kraliyet himayesi almaya çalıştı bu  
*christopher columbus biography nationality voyages ships* - May 19 2023

web christopher columbus italian cristoforo colombo spanish cristóbal colón born between august 26 and october 31 1451 genoa italy died may 20 1506 valladolid spain master navigator and admiral whose four transatlantic voyages 1492 93 1493 96 1498 1500 and 1502 04 opened the way for european exploration exploitation and  
*christoph kolumbus wikipedia* - Jul 21 2023

web christoph kolumbus italienisch cristoforo colombo spanisch cristóbal colón portugiesisch cristóvão colombo latinisiert christophorus columbus um 1451 in der republik genua 20 mai 1506 in valladolid königreich kastilien war ein italienischer seefahrer in kastilischen diensten der im jahr 1492 amerika wiederentdeckte als

**christopher columbus simple english wikipedia the free** - Feb 16 2023

web christopher columbus 1451 1506 was an italian he was born in in the year 1451 christopher columbus is the version of columbus s name his real name in cristoforo colombo he was the son of a weaver named domenico colombo and a seamstress named susanna fontanarossa in 1492 columbus landed on an island of the the first european  
*christoph kolumbus 10 fakten über kolumbus und die* - May 07 2022

web apr 28 2021 christoph kolumbus zog aus um einen seeweg nach asien zu finden was er am 12 oktober 1492 fand war weder indien noch china sondern amerika das hat er jedoch nie erfahren wir haben für sie überraschende fakten zu kolumbus gesammelt

[christopher columbus overview history crunch](#) - Oct 12 2022

web sep 28 2020 christopher columbus is one of the most significant figures in all of world history and is particularly important to major world events such as the age of exploration and renaissance his four famous journeys to the new world in the late 15th century and early 16th century altered the history of the world and led to a mass migration of people

**ein moment in der geschichte kolumbus erreicht amerika** - Apr 06 2022

web may 1 2022 der moment an dem kolumbus amerika betrat war der dreh und angelpunkt der geschichte wer war christoph kolumbus und wie berechnete er den weg heute weiß man der seefahrer fuhr nicht ins

**christoph columbus der spiegel** - Jul 09 2022

web nov 12 2021 mehr als 500 jahre nach seinem tod gibt christoph kolumbus immer noch rätsel auf so ist zum beispiel noch nicht geklärt ob der entdeckter spanier italiener portugiese oder franzose war

*christoph kolumbus national geographic* - Mar 17 2023

web christoph kolumbus christoph kolumbus kämpft fanatisch um seine mission den osten auf dem weg nach westen zu finden nach 70 tagen auf dem atlantik glaubt er sich in indien dabei ist er auf einen noch völlig unbekanntem kontinent gestoßen von national geographic foto von national geographic

*christopher columbus facts voyage discovery history* - Apr 18 2023

web nov 9 2009 christopher columbus was an italian explorer who stumbled upon the americas and whose journeys marked the beginning of centuries of transatlantic colonization by history com editors updated

**kristof kolomb wikipedi** - Jun 20 2023

web kristof kolomb kristof kolomb c 31 ekim 1451 20 mayıs 1506 atlantik okyanusuna yaptığı toplam dört seferi tamamlayarak coğrafi keşifleri başlatan ve amerika nın kolonizasyonunun yolunu açan cenevizli kaptan ve kâşiftir