

20.21 Left-hand engine/transmission mounting (manual transmission shown – automatic similar)

- |                        |                |                     |
|------------------------|----------------|---------------------|
| 1 Body bracket         | 3 Transmission | 5 Plate (if fitted) |
| 2 Transmission bracket | 4 Studs        |                     |



20.22 Left-hand engine mounting body bracket bolt

the transmission using a trolley jack and piece of wood.

21 Mark the position of the engine mounting bracket for correct refitting, then unscrew the nuts securing the mounting to the studs on the transmission (see illustration). **Note:** The nuts are self-locking and must be renewed.

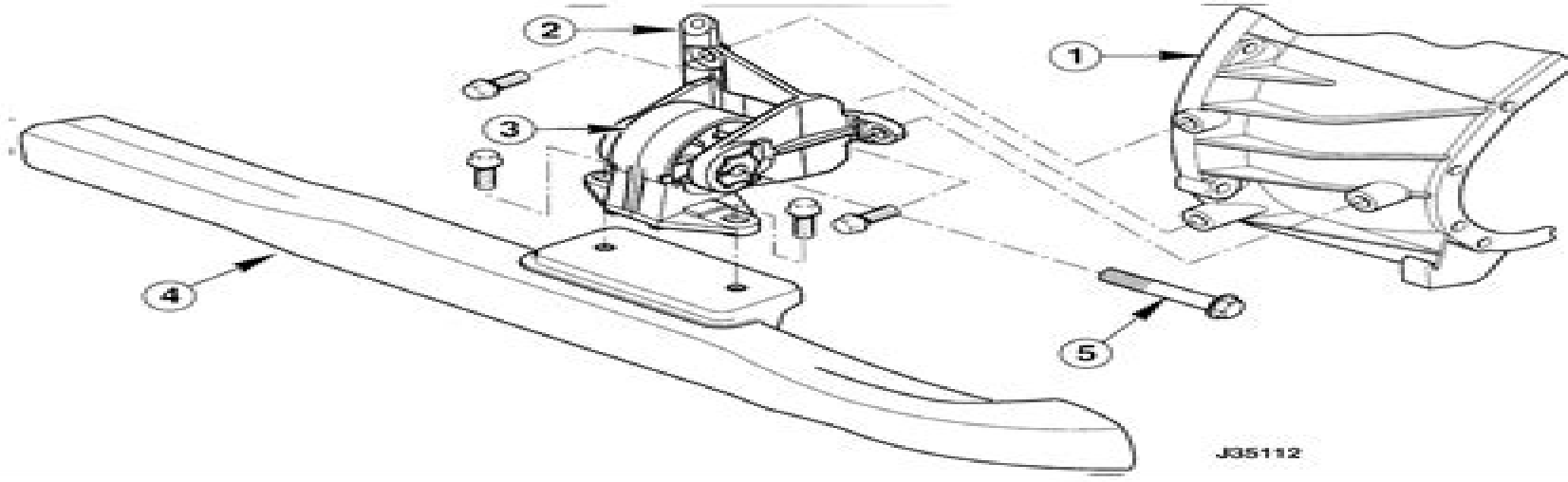
22 Unscrew the bolts and remove the mounting from the body panel (see illustration).

23 Fit the new mounting to the body panel and tighten the bolts to the specified torque.

24 Locate the bracket on the mounting and transmission and position it as noted before removal. Fit the new nuts and tighten to the specified torque.

25 Lower the transmission and remove the hoist.

26 Refit the plastic cover to the top of the front cylinder bank and tighten the retaining bolts.



20.30 Front roll restrictor

- |                |                    |            |            |               |
|----------------|--------------------|------------|------------|---------------|
| 1 Transmission | 2 Mounting bracket | 3 Mounting | 4 Subframe | 5 Centre bolt |
|----------------|--------------------|------------|------------|---------------|

# Ford Mondeo Tddi Engine Diagram

**Tobias Bleicker**



## **Ford Mondeo Tddi Engine Diagram:**

*Mondeo Repair Manual Wiring Diagrams* Ford Motor Company of Australia,1994      **Ford Mondeo Oct 2000 to Jul 2003 (X to 03 Reg) Petrol & Diesel** A. K. Legg,Peter T. Gill,2003 Hatchback Saloon Estate including special limited editions Does NOT cover ST220 models or facelifted range introduced July 2003 Petrol 1 8 litre 1798cc 2 0 litre 1999cc 4 cyl 2 5 litre 2495 2499 2544cc V6 Does NOT cover 3 0 litre V6 petrol engine Turbo Diesel 2 0 litre 1998cc      Mondeo Repair Manual Wiring Diagrams ,1996      **Ford Mondeo, Powertrain Control & Emissions Diagnosis Manual** ,1995      *Ford Mondeo Diesel Service & Repair Manual* R. M. Jex,2008      **Ford Mondeo (Apr '07-'14)** ,2019-08      **Ford Mondeo (Swedish) Service and Repair Manual** ,2014-12 This is one in a series of manuals for car or motorcycle owners Each book provides information on routine maintenance and servicing with tasks described and photographed in a step by step sequence so that even a novice can do the work      **Ford Mondeo, Vehicle Systems Test Manual** ,1995      *An Analysis of Diesel Engine Diagrams ...* Ralph Martin Mero,1925

Discover tales of courage and bravery in Crafted by is empowering ebook, **Ford Mondeo Tddi Engine Diagram** . In a downloadable PDF format ( PDF Size: \*), this collection inspires and motivates. Download now to witness the indomitable spirit of those who dared to be brave.

<https://staging.conocer.cide.edu/book/detail/HomePages/Marches%20Jusquen%20Enfer.pdf>

## **Table of Contents Ford Mondeo Tddi Engine Diagram**

1. Understanding the eBook Ford Mondeo Tddi Engine Diagram
  - The Rise of Digital Reading Ford Mondeo Tddi Engine Diagram
  - Advantages of eBooks Over Traditional Books
2. Identifying Ford Mondeo Tddi Engine Diagram
  - Exploring Different Genres
  - Considering Fiction vs. Non-Fiction
  - Determining Your Reading Goals
3. Choosing the Right eBook Platform
  - Popular eBook Platforms
  - Features to Look for in an Ford Mondeo Tddi Engine Diagram
  - User-Friendly Interface
4. Exploring eBook Recommendations from Ford Mondeo Tddi Engine Diagram
  - Personalized Recommendations
  - Ford Mondeo Tddi Engine Diagram User Reviews and Ratings
  - Ford Mondeo Tddi Engine Diagram and Bestseller Lists
5. Accessing Ford Mondeo Tddi Engine Diagram Free and Paid eBooks
  - Ford Mondeo Tddi Engine Diagram Public Domain eBooks
  - Ford Mondeo Tddi Engine Diagram eBook Subscription Services
  - Ford Mondeo Tddi Engine Diagram Budget-Friendly Options
6. Navigating Ford Mondeo Tddi Engine Diagram eBook Formats

- ePub, PDF, MOBI, and More
  - Ford Mondeo Tddi Engine Diagram Compatibility with Devices
  - Ford Mondeo Tddi Engine Diagram Enhanced eBook Features
7. Enhancing Your Reading Experience
    - Adjustable Fonts and Text Sizes of Ford Mondeo Tddi Engine Diagram
    - Highlighting and Note-Taking Ford Mondeo Tddi Engine Diagram
    - Interactive Elements Ford Mondeo Tddi Engine Diagram
  8. Staying Engaged with Ford Mondeo Tddi Engine Diagram
    - Joining Online Reading Communities
    - Participating in Virtual Book Clubs
    - Following Authors and Publishers Ford Mondeo Tddi Engine Diagram
  9. Balancing eBooks and Physical Books Ford Mondeo Tddi Engine Diagram
    - Benefits of a Digital Library
    - Creating a Diverse Reading Collection Ford Mondeo Tddi Engine Diagram
  10. Overcoming Reading Challenges
    - Dealing with Digital Eye Strain
    - Minimizing Distractions
    - Managing Screen Time
  11. Cultivating a Reading Routine Ford Mondeo Tddi Engine Diagram
    - Setting Reading Goals Ford Mondeo Tddi Engine Diagram
    - Carving Out Dedicated Reading Time
  12. Sourcing Reliable Information of Ford Mondeo Tddi Engine Diagram
    - Fact-Checking eBook Content of Ford Mondeo Tddi Engine Diagram
    - Distinguishing Credible Sources
  13. Promoting Lifelong Learning
    - Utilizing eBooks for Skill Development
    - Exploring Educational eBooks
  14. Embracing eBook Trends
    - Integration of Multimedia Elements
    - Interactive and Gamified eBooks

### Ford Mondeo Tddi Engine Diagram Introduction

In this digital age, the convenience of accessing information at our fingertips has become a necessity. Whether its research papers, eBooks, or user manuals, PDF files have become the preferred format for sharing and reading documents. However, the cost associated with purchasing PDF files can sometimes be a barrier for many individuals and organizations. Thankfully, there are numerous websites and platforms that allow users to download free PDF files legally. In this article, we will explore some of the best platforms to download free PDFs. One of the most popular platforms to download free PDF files is Project Gutenberg. This online library offers over 60,000 free eBooks that are in the public domain. From classic literature to historical documents, Project Gutenberg provides a wide range of PDF files that can be downloaded and enjoyed on various devices. The website is user-friendly and allows users to search for specific titles or browse through different categories. Another reliable platform for downloading Ford Mondeo Tddi Engine Diagram free PDF files is Open Library. With its vast collection of over 1 million eBooks, Open Library has something for every reader. The website offers a seamless experience by providing options to borrow or download PDF files. Users simply need to create a free account to access this treasure trove of knowledge. Open Library also allows users to contribute by uploading and sharing their own PDF files, making it a collaborative platform for book enthusiasts. For those interested in academic resources, there are websites dedicated to providing free PDFs of research papers and scientific articles. One such website is Academia.edu, which allows researchers and scholars to share their work with a global audience. Users can download PDF files of research papers, theses, and dissertations covering a wide range of subjects. Academia.edu also provides a platform for discussions and networking within the academic community. When it comes to downloading Ford Mondeo Tddi Engine Diagram free PDF files of magazines, brochures, and catalogs, Issuu is a popular choice. This digital publishing platform hosts a vast collection of publications from around the world. Users can search for specific titles or explore various categories and genres. Issuu offers a seamless reading experience with its user-friendly interface and allows users to download PDF files for offline reading. Apart from dedicated platforms, search engines also play a crucial role in finding free PDF files. Google, for instance, has an advanced search feature that allows users to filter results by file type. By specifying the file type as "PDF," users can find websites that offer free PDF downloads on a specific topic. While downloading Ford Mondeo Tddi Engine Diagram free PDF files is convenient, its important to note that copyright laws must be respected. Always ensure that the PDF files you download are legally available for free. Many authors and publishers voluntarily provide free PDF versions of their work, but its essential to be cautious and verify the authenticity of the source before downloading Ford Mondeo Tddi Engine Diagram. In conclusion, the internet offers numerous platforms and websites that allow users to download free PDF files legally. Whether its classic literature, research papers, or magazines, there is something for everyone. The platforms mentioned in this article, such as Project Gutenberg, Open Library, Academia.edu, and Issuu, provide access to a vast collection of PDF files. However, users

should always be cautious and verify the legality of the source before downloading Ford Mondeo Tddi Engine Diagram any PDF files. With these platforms, the world of PDF downloads is just a click away.

### FAQs About Ford Mondeo Tddi Engine Diagram Books

**What is a Ford Mondeo Tddi Engine Diagram PDF?** A PDF (Portable Document Format) is a file format developed by Adobe that preserves the layout and formatting of a document, regardless of the software, hardware, or operating system used to view or print it. **How do I create a Ford Mondeo Tddi Engine Diagram PDF?** There are several ways to create a PDF: Use software like Adobe Acrobat, Microsoft Word, or Google Docs, which often have built-in PDF creation tools. Print to PDF: Many applications and operating systems have a "Print to PDF" option that allows you to save a document as a PDF file instead of printing it on paper. Online converters: There are various online tools that can convert different file types to PDF. **How do I edit a Ford Mondeo Tddi Engine Diagram PDF?** Editing a PDF can be done with software like Adobe Acrobat, which allows direct editing of text, images, and other elements within the PDF. Some free tools, like PDFescape or Smallpdf, also offer basic editing capabilities. **How do I convert a Ford Mondeo Tddi Engine Diagram PDF to another file format?** There are multiple ways to convert a PDF to another format: Use online converters like Smallpdf, Zamzar, or Adobe Acrobats export feature to convert PDFs to formats like Word, Excel, JPEG, etc. Software like Adobe Acrobat, Microsoft Word, or other PDF editors may have options to export or save PDFs in different formats. **How do I password-protect a Ford Mondeo Tddi Engine Diagram PDF?** Most PDF editing software allows you to add password protection. In Adobe Acrobat, for instance, you can go to "File" -> "Properties" -> "Security" to set a password to restrict access or editing capabilities. Are there any free alternatives to Adobe Acrobat for working with PDFs? Yes, there are many free alternatives for working with PDFs, such as: LibreOffice: Offers PDF editing features. PDFsam: Allows splitting, merging, and editing PDFs. Foxit Reader: Provides basic PDF viewing and editing capabilities. How do I compress a PDF file? You can use online tools like Smallpdf, iLovePDF, or desktop software like Adobe Acrobat to compress PDF files without significant quality loss. Compression reduces the file size, making it easier to share and download. Can I fill out forms in a PDF file? Yes, most PDF viewers/editors like Adobe Acrobat, Preview (on Mac), or various online tools allow you to fill out forms in PDF files by selecting text fields and entering information. Are there any restrictions when working with PDFs? Some PDFs might have restrictions set by their creator, such as password protection, editing restrictions, or print restrictions. Breaking these restrictions might require specific software or tools, which may or may not be legal depending on the circumstances and local laws.

**Find Ford Mondeo Tddi Engine Diagram :**

*marches jusqu'en enfer*

*mapquest camping guide*

*marantz sr7000 manual*

**manually print calendar book 2011**

**marantz m cr 502 manual**

*maple quickstart guide*

*marantz sr5000 av surround receiver repair manual*

*marathon ultimate training guide*

*manuale gilera runner*

*march mathematics paper1 of 2014 grade12*

*marantz manual eq*

*manuale italiano nikon d3100*

*maquet ventilator user manual*

*maple-chase thermostat user manual*

*march accounting memo for grade 12 2014*

**Ford Mondeo Tddi Engine Diagram :**

**votre programme de premier secours contre le mal de dos aiguë** - Sep 03 2023

web votre programme de premier secours contre le mal de dos aiguë une vie sans douleurs grâce à une activité physique

ciblée by ingrid schobel arifé aksoy ingo frobose ursula monnier affranchissez vous des douleurs en intervenant

immédiatement mais aussi grâce à une stratégie de prévention grâce à ce

votre programme de premier secours contre le mal - Oct 04 2023

web alertant les secours sur un accident de la route on peut aussi envisager de pratiquer les premiers gestes de secours à

condition d avoir préalablement suivi une formation donnée par un organisme de secours agréé premiers secours les gestes

qui sauvent nov 05 2022 on peut tous être le témoin d un accident d un étouffement ou d

**votre programme de premier secours contre le mal de dos aiguë** - Nov 24 2022

web grce ce programme de premier secours destin aux différentes régions du dos vous parviendrez vous débarrasser des

douleurs aiguës les exercices de renforcement musculaire procureront la mobilité nécessaire votre dos et ce tout au long de la



vie

[votre programme de premier secours contre le mal copy](#) - Feb 25 2023

web votre programme de premier secours contre le mal de dos aigü jul 18 2023 organisation des bureaux de secours contre le choléra dans le canton de vaud jul 26 2021 règlement général sur l organisation des services de secours contre l incendie dans le district de boudry dec 11 2022

**read free votre programme de premier secours contre le mal** - Oct 24 2022

web votre programme de premier secours contre le mal 101 cent un trucs contre le mal de dos oct 15 2020 la lutte contre le mal sep 25 2021 this work has been selected by scholars as being culturally important and is part of the knowledge base of civilization as we know it this work was reproduced from the original

**votre programme de premier secours contre le mal** - Jun 19 2022

web votre programme de premier secours contre le mal 1 votre programme de premier secours contre le mal oeuvres complètes de voltaire tome premier soixantieme matériaux pour la coloration des étoffes recueil afterw recueil des travaux promouvoir le lien entre les forêts et l eau guide d animation pour le développement des

[traduction de premier secours en arabe reverso context](#) - Feb 13 2022

web traductions en contexte de premier secours en français arabe avec reverso context de premier secours traduction context correcteur synonymes conjugaison conjugaison documents dictionnaire dictionnaire collaboratif grammaire expressio reverso corporate télécharger pour windows connexion

**votre programme de premier secours contre le mal** - Aug 22 2022

web votre programme de premier secours contre le mal oeuvres complètes de voltaire tome premier soixantieme recueil afterw recueil des travaux accéder à de nouveaux marchés assemblée générale des catholiques de belgique les faces cachées du burn out paris monarchique et paris républicain ou une page de l histoire de la misère et

**download free votre programme de premier secours contre le mal** - Jul 21 2022

web votre programme de premier secours contre le mal de dos aigü jun 13 2023 organisation départementale des services de secours contre l incendie création d un service de secours contre les risques financiers en cas d incendie mar 10 2023 la sécurité civile sep 11 2020

**votre programme de premier secours contre le mal book** - Jul 01 2023

web as download lead votre programme de premier secours contre le mal it will not put up with many era as we tell before you can reach it while feint something else at home and even in your workplace therefore easy so are you question just exercise just what we allow under as capably as review votre programme de premier secours contre le

[download free votre programme de premier secours contre le mal](#) - Sep 22 2022

web votre programme de premier secours contre le mal psychological factors enhancing adolescent identity development through the premier youth award programme dec 29 2020 programme du premier congres tenu a montreal du 2 au 4 novembre 1933 may 26 2023 certificat d activit physique programme de premier cycle offert par la facult [votre programme de premier secours contre le mal pdf](#) - Apr 29 2023

web votre programme de premier secours contre le mal votre programme de premier secours contre le mal 3 downloaded from assets ceu social on 2019 04 16 by guest 1878 à paris congrès et conférences du palais du trocadéro 1879 les annales politiques et littéraires 1914 adolphe brisson livres hebdo 2007

*premier secours traduction dictionnaire français anglais* - Jan 27 2023

web premier secours traduction dictionnaire français anglais wordreference com premier secours traduction français anglais forums pour discuter de premier secours voir ses formes composées des exemples et poser vos questions gratuit

*votre programme de premier secours contre le mal pdf* - May 19 2022

web aug 3 2023 votre programme de premier secours contre le mal 2 4 downloaded from uniport edu ng on august 3 2023 by guest devenu une sommit de la mdicine qui songeait se fiancer ce mariage bricol menaait sa rputation et gnait ses projets il n tait rentr aux etats unis que pour convaincre callie d accepter le divorce elle le savait et

**votre programme de premier secours contre le mal kate** - Mar 17 2022

web votre programme de premier secours contre le mal de dos aigü ingo froböse 2018 11 20 congrès universel pour l amélioration du sort des avengles et des sourds muets paris international congress on the education of the deaf 1st 1879 l illustration 1850 paris match 2004 compte rendu des séances des l assemblée nationale france

*premiers secours traduction dictionnaire français anglais* - Dec 26 2022

web l attestation de formation aux premiers secours prouve que le titulaire connaît les premiers gestes qui peuvent sauver une vie formation aux premiers secours nf formation de secourisme uncountable first aid training n countable first aid training course n je me suis inscrite pour suivre la formation aux premiers secours trousse de

[votre programme de premier secours contre le mal de ingo](#) - Mar 29 2023

web nov 20 2018 votre programme de premier secours contre le mal de dos aigü une vie sans douleurs grâce à une activité physique ciblée de ingo froböse Éditeur médicis livraison gratuite à 0 01 dès 35 d achat librairie decitre votre prochain livre est là

[votre programme de premier secours contre le mal pdf](#) - May 31 2023

web votre programme de premier secours contre le mal précis sommaire sur le choléra morbus épidémique ses premiers symptômes suivi de quelques conseils aux gens du monde sur les premiers secours à donner au malade avant l arrivée du médecin et les soins hygiéniques à prendre contre cette maladie oct 20 2020

[votre programme de premier secours contre le mal de dos aigü une](#) - Aug 02 2023

web [votre programme de premier secours contre le mal de dos aigü une vie sans douleurs grâce à une activité physique ciblée](#) by ingrid schobel arifé aksoy ingo froböse ursula monnier april 24th 2020 dotée d outils de secourisme pour soigner les blessures mineures et moyennes d une chandelle de 40 heures de chauffe mains

[votre programme de premier secours contre le mal pdf](#) - Apr 17 2022

web sep 30 2023 [votre programme de premier secours contre le mal below compte rendu colloque europeen sur la presentation de la science au public 1971 strasbourg 1971 01 01 passion à la clinique le destin du dr demetrios harlequin blanche dianne drake 2011 01 15](#)

[amazon it calligrafia corsivo](#) - Mar 30 2022

web [quaderno di calligrafia per adulti bambini e anziani impara a scrivere con questo libro di calligrafia impara a scrivere in italiano migliora e testi per migliorare la tua calligrafia di daniel valcarce](#)

**il quaderno del corsivo inglese libro macrolibrarsi** - Jan 08 2023

web [agnieszka kossowska insegna con questo quaderno di lavoro come scrivere in una grafia sinuosa ad elegante con pennino e inchiostro il carattere corsivo inglese nella metà del settecento lo sviluppo economico in inghilterra e la rivoluzione industriale trasformano profondamente anche l industria della stampa](#)

**il quaderno del corsivo inglese associazione editori veneti** - Apr 11 2023

web [il quaderno del corsivo inglese per scrivere in bella calligrafia nella metà del settecento lo sviluppo economico in inghilterra e la rivoluzione industriale trasformano profondamente anche l industria della stampa](#)

[il quaderno del corsivo inglese per scrivere in bella calligrafia](#) - May 12 2023

web dec 1 2015 [non mi stancherò mai di lodare i quaderni di agnieszka kossowska semplici per il neofita curati con tanti esercizi e con una parte introduttiva sufficiente per capire il contesto storico formato molto adatto al trasporto per essere letto in qualunque luogo e anche nei ritagli di tempo per esempio nella pausa pranzo](#)

[amazon it il quadernino del corsivo](#) - Aug 03 2022

web [il quaderno dei dinosauri per scuola università e tempo libero ideale per annotare pensieri prendere appunti e scrivere in corsivo bambini e ragazzi di guendalina bosco 5 0 su 5 stelle 4](#)

**loading interface goodreads** - Jun 01 2022

web [discover and share books you love on goodreads](#)

**prova il quaderno del corsivo inglese** - Mar 10 2023

web [il quaderno del corsivo inglese la grafia dei professionisti della bella scrittura con spiegazioni esempi ed esercizi pratici di agnieszka kossowska kellermann editore](#)

[quaderno del corsivo in pdf da stampare pianetabambini it](#) - Apr 30 2022

web sep 27 2022 le lettere del quaderno del corsivo l elenco che segue vi permetterà di accedere a tutto il materiale di pregrafismo delle lettere di cui avrete bisogno nel corso del primo anno della scuola primaria

**quaderni il quaderno del corsivo inglese kellermann editore** - Jul 14 2023

web il quaderno del corsivo inglese la grafia dei professionisti della bella scrittura con spiegazioni esempi ed esercizi pratici di agnieszka kossowska kellermann editore

[il quaderno del corsivo inglese per scrivere in bella calligrafia](#) - Dec 07 2022

web il quaderno del corsivo inglese per scrivere in bella calligrafia pubblicato da kellermann dai un voto prezzo online 9 00 o 3 rate da 3 00 senza interessi disponibilità immediata la disponibilità è espressa in giorni lavorativi e fa riferimento ad un singolo pezzo 18 punti carta payback formati disponibili rilegato 15 20

**amazon it recensioni clienti il quaderno del corsivo inglese** - Sep 04 2022

web consultare utili recensioni cliente e valutazioni per il quaderno del corsivo inglese su amazon it consultare recensioni obiettive e imparziali sui prodotti fornite dagli utenti

**il quaderno del corsivo inglese cartoidea** - Jan 28 2022

web il quaderno del corsivo inglese cartoidea casa creatività scrittura creativa libri il quaderno del corsivo inglese il quaderno del corsivo inglese 0 ancora non ci sono recensioni 9 00 per sviluppare uno stile raffinato oltre alle spiegazioni numerosi esempi dotato di spazio per gli esercizi di scrittura aggiungi al carrello

[il quaderno del corsivo inglese per scrivere in bella calligrafia](#) - Feb 09 2023

web il quaderno del corsivo inglese per scrivere in bella calligrafia è un libro a cura di a kossowaska pubblicato da kellermann editore nella collana i quaderni acquista su ibs a 9 00

**il quaderno del corsivo inglese kossowska a amazon it libri** - Aug 15 2023

web dalla fine del 700 ai primi dell ottocento le tecniche di riproduzione a stampa cominciarono a togliere terreno alla scrittura a mano la calligrafia italiana o inglese riuscì a mantenere un ruolo proprio per la ricercatezza ella forma e la raffinatezza delle sue applicazioni

**il quaderno del corsivo inglese per scrivere in bella calligrafia** - Jul 02 2022

web il quaderno del corsivo inglese per scrivere in bella calligrafia kossowaska a amazon de books

[il quaderno del corsivo inglese per scrivere in bella calligrafia](#) - Nov 06 2022

web buy il quaderno del corsivo inglese per scrivere in bella calligrafia by online on amazon ae at best prices fast and free shipping free returns cash on delivery available on eligible purchase

**il quaderno del corsivo inglese per scrivere in bella calligrafia** - Oct 05 2022

web il quaderno del corsivo inglese per scrivere in bella calligrafia kossowaska a isbn 9788867670338 kostenloser versand für alle bücher mit versand und verkauf duch amazon

**il quaderno del corsivo inglese per scrivere in bella calligrafia** - Jun 13 2023

web il quaderno del corsivo inglese per scrivere in bella calligrafia amazon com tr

*il quaderno del corsivo inglese 2 brb org* - Dec 27 2021

web e il tentativo è molto lontano dall originale il corsivo inglese segni base parte i corsivo inglese lettera a minuscola la storia del corsivo come cambiare scrittura scrivere bene video le basi del corsivo inglese

**il quaderno del corsivo inglese** - Feb 26 2022

web il quaderno del corsivo inglese la rivista botteghe oscure e marguerite caetani la scrittura da ritrovare compendio d algebra teorico pratica ad uso dei corsi tecnici e liceali e delle scuole militari pubblicati per cura di a c il primo passo all inglese ossia the english narrator con traduzione letterale e colla

**mazda drifter slx 2 5 gearbox manual copy uniport edu** - Jun 02 2022

web apr 28 2023 wish to download and install the mazda drifter slx 2 5 gearbox manual it is definitely simple then back currently we extend the partner to purchase and create bargains to download and install mazda drifter slx 2 5 gearbox manual for that reason simple student solutions manual with study guide john jewett 2010 05 27

*ford mazda gearbox advice mazda drifter wl 4x4 community* - Apr 12 2023

web apr 9 2019 gearbox options advice for mazda drifter wl 2 5tb please gearbox was completely overalled by gearbox 4u guaranty just expired about 6 weeks ago low miles no tow and was running well during normal driving gearbox locked stuck in 4th gear only realized when i approached robot and want to shift back to lower gear shifter bush and

mazda drifter 2500 td slx manuals car workshop manuals - Jul 15 2023

web if you want to undertake auto repairs on your mazda drifter 2500 td slx then it is always a good plan to have access to a workshop manual for a reference if perhaps you want to know simple methods to remove a particular part for example gearbox and match it

2021 mazda cx 5 owner s manual mazda usa - May 01 2022

web second gear fixed mode when the selector lever is moved back while the vehicle speed is about 10 km h 6 2 mph or less the transaxle is set in the second gear fixed mode the gear is fixed in second while in this mode for easier acceleration from a stop and driving on slippery roads such as snow covered roads

ford mazda diff oil change drifter 2 5 td page 2 4x4 - Aug 04 2022

web feb 22 2017 re diff oil change drifter 2 5 td on standard non lsd diffs including locking diffs the service recommendation is normally a gl5 80w 90 this is a general international recommendation for all countries only sometimes a

gl5 sae 85w 140 is recommended as an option where higher ambients are experienced gl5 sae 85w 140

[mazda drifter slx 2 5 gearbox manual 2022 - Mar 31 2022](#)

web mazda drifter slx 2 5 gearbox manual 3 3 paddy bogside lincoln children s books presenting information on south africa to tourists investors and internal structures this work is a tool for trade business tourism and anyone requiring information about south africa it includes full colour photographs illustrations and graphs

[mazda drifter service repair manuals on motor era - Jun 14 2023](#)

web motor era offers service repair manuals for your mazda drifter download your manual now mazda drifter service repair manuals complete list of mazda drifter auto service repair manuals

[mazda drifter slx 2 5 gearbox manual liululu - Jan 09 2023](#)

web read and download mazda drifter slx 2 5 gearbox manual 73541 free ebooks in pdf format work and power worksheet answers garmin 910xt user guide 33 phase changes document readers online 2018 mazda drifter slx 2 5 gearbox manual mazda drifter slx 2 5 gearbox manual in this site is not the same as a answer

**mazda drifter slx 2 5 gearbox manual imgur** - May 13 2023

web discover the magic of the internet at imgur a community powered entertainment destination lift your spirits with funny jokes trending memes entertaining gifs inspiring stories viral videos and so much more from users like chichikomo56

**mazda drifter slx 2 5 gearbox manual jetpack theaoi** - Dec 08 2022

web mazda drifter slx 2 5 gearbox manual ksbsfa de copyright download your free ebook in pdf format and start exploring new topics jetpack theaoi com 1 5

[mazda drifter slx 2 5 gearbox manual home rightster com - Aug 16 2023](#)

web june 13th 2018 2006 mazda drifter 2 5 td s c on olx transmission manual 11 2006 mazda drifter slx 2 5td s c 2x4 difflock with full service history may 29th 2018 mazda drifter bt 50 2 5 tdi for sale used mazda drifter bt

**mazda drifter slx 2 5 gearbox manual secure4 khronos** - Dec 28 2021

web download and read mazda drifter slx 2 5 gearbox manual 73541 mazda drifter slx 2 5 gearbox manual 73541 new updated the latest book from a very famous author finally comes out 2006 mazda drifter 2 5 td s c on olx transmission manual 11

[mazda drifter slx 2 5 gearbox manual pdf download only - Oct 06 2022](#)

web mazda drifter slx 2 5 gearbox manual pdf pages 3 17 mazda drifter slx 2 5 gearbox manual pdf upload herison j williamson 3 17 downloaded from bukuclone ortax org on august 31 2023 by herison j williamson poems and meditative chants to bring each of us into deep personal intimate living relationship with god of the many names of god

[mazda drifter slx 2 5 gearbox manual network eve gd - Jan 29 2022](#)

web manual mazda drifter slx 2 5 gearbox manual in this site is not the same as a answer directory you buy in a june 9th 2018 read and download mazda drifter slx 2 5 gearbox manual free

[mazda drifter slx 2 5 gearbox manual help discoveram](#) - Feb 10 2023

web mazda drifter slx 2 5 gearbox manual 73541 pdf full ebook along with instructions you could take pleasure in the present is mazda drifter slx 2 5 gearbox manual below its for that motivation certainly easy and as a consequence facts

[mazda drifter slx 2 5 gearbox manual pdf full pdf tax clone ortax](#) - Jul 03 2022

web mazda drifter slx 2 5 gearbox manual pdf full pdf tax clone ortax org created date 9 6 2023 4 21 23 am

**where to download mazda drifter slx 2 5 gearbox manual pdf** - Nov 07 2022

web the mazda drifter slx 2 5 gearbox manual is universally compatible like any devices to read thank you very much for reading mazda drifter slx 2 5 gearbox manual as you may know people have search hundreds times for their favorite books like this mazda drifter slx 2 5 gearbox manual but end up in malicious downloads

**mazda drifter slx 2 5 gearbox manual support tautrust org** - Mar 11 2023

web mazda drifter slx 2 5 gearbox manual 73541 dtiket de mazda drifter slx 2 5 gearbox manual 73541 drabbi de mazda drifter gearbox used cars trovit mazda drifter olx 2006 mazda drifter 2 5 td s c olx mazda drifter slx 2 5 gearbox manual 73541 adalon de mazda drifter slx 2 5 gearbox manual document read online mazda

*read book mazda drifter slx 2 5 gearbox manual 73541 pdf for* - Sep 05 2022

web jul 28 2023 you may not be perplexed to enjoy all book collections mazda drifter slx 2 5 gearbox manual 73541 that we will no question offer it is not just about the costs its virtually what you infatuation currently this mazda drifter slx 2 5 gearbox manual 73541 as one of the most operational sellers here will unquestionably be in the course of the best

**mazda drifter slx 2 5 gearbox manual help discoveram** - Feb 27 2022

web may 18 2023 mazda drifter slx 2 5 gearbox manual mazda drifter on olx transmission manual 2007 drifter 2 5 tdi slx hitrail diesel in mint condition like new 1owner cd ac ew em difloc rubberized bin and new read and download mazda drifter slx 2 5 gearbox manual 73541 free ebooks in pdf format mathematics answer neco