

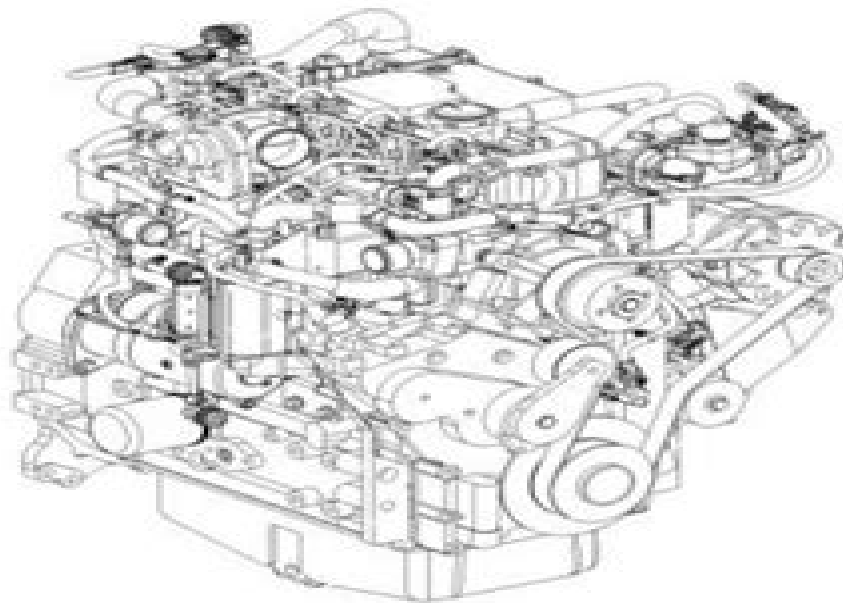
TCD 3.6 L4 /T4

Deutz Engine

Compact Track Loaders

Gehl VT320

Mustang 3200VT



Form No.
50960148
Revision A
July
2017

Parts Manual

F3l91deutz Diesel Engine Service Manual

SA Dillow



F3191deutz Diesel Engine Service Manual:

The Enigmatic Realm of **F3l91deutz Diesel Engine Service Manual**: Unleashing the Language is Inner Magic

In a fast-paced digital era where connections and knowledge intertwine, the enigmatic realm of language reveals its inherent magic. Its capacity to stir emotions, ignite contemplation, and catalyze profound transformations is nothing short of extraordinary. Within the captivating pages of **F3l91deutz Diesel Engine Service Manual** a literary masterpiece penned with a renowned author, readers set about a transformative journey, unlocking the secrets and untapped potential embedded within each word. In this evaluation, we shall explore the book's core themes, assess its distinct writing style, and delve into its lasting affect the hearts and minds of those who partake in its reading experience.

<https://staging.conocer.cide.edu/data/scholarship/HomePages/george%20frederic%20handel.pdf>

Table of Contents F3l91deutz Diesel Engine Service Manual

1. Understanding the eBook F3l91deutz Diesel Engine Service Manual
 - The Rise of Digital Reading F3l91deutz Diesel Engine Service Manual
 - Advantages of eBooks Over Traditional Books
2. Identifying F3l91deutz Diesel Engine Service Manual
 - Exploring Different Genres
 - Considering Fiction vs. Non-Fiction
 - Determining Your Reading Goals
3. Choosing the Right eBook Platform
 - Popular eBook Platforms
 - Features to Look for in an F3l91deutz Diesel Engine Service Manual
 - User-Friendly Interface
4. Exploring eBook Recommendations from F3l91deutz Diesel Engine Service Manual
 - Personalized Recommendations
 - F3l91deutz Diesel Engine Service Manual User Reviews and Ratings
 - F3l91deutz Diesel Engine Service Manual and Bestseller Lists

5. Accessing F3l91deutz Diesel Engine Service Manual Free and Paid eBooks
 - F3l91deutz Diesel Engine Service Manual Public Domain eBooks
 - F3l91deutz Diesel Engine Service Manual eBook Subscription Services
 - F3l91deutz Diesel Engine Service Manual Budget-Friendly Options
6. Navigating F3l91deutz Diesel Engine Service Manual eBook Formats
 - ePub, PDF, MOBI, and More
 - F3l91deutz Diesel Engine Service Manual Compatibility with Devices
 - F3l91deutz Diesel Engine Service Manual Enhanced eBook Features
7. Enhancing Your Reading Experience
 - Adjustable Fonts and Text Sizes of F3l91deutz Diesel Engine Service Manual
 - Highlighting and Note-Taking F3l91deutz Diesel Engine Service Manual
 - Interactive Elements F3l91deutz Diesel Engine Service Manual
8. Staying Engaged with F3l91deutz Diesel Engine Service Manual
 - Joining Online Reading Communities
 - Participating in Virtual Book Clubs
 - Following Authors and Publishers F3l91deutz Diesel Engine Service Manual
9. Balancing eBooks and Physical Books F3l91deutz Diesel Engine Service Manual
 - Benefits of a Digital Library
 - Creating a Diverse Reading Collection F3l91deutz Diesel Engine Service Manual
10. Overcoming Reading Challenges
 - Dealing with Digital Eye Strain
 - Minimizing Distractions
 - Managing Screen Time
11. Cultivating a Reading Routine F3l91deutz Diesel Engine Service Manual
 - Setting Reading Goals F3l91deutz Diesel Engine Service Manual
 - Carving Out Dedicated Reading Time
12. Sourcing Reliable Information of F3l91deutz Diesel Engine Service Manual
 - Fact-Checking eBook Content of F3l91deutz Diesel Engine Service Manual
 - Distinguishing Credible Sources
13. Promoting Lifelong Learning

- Utilizing eBooks for Skill Development
 - Exploring Educational eBooks
14. Embracing eBook Trends
- Integration of Multimedia Elements
 - Interactive and Gamified eBooks

F3l91deutz Diesel Engine Service Manual Introduction

In this digital age, the convenience of accessing information at our fingertips has become a necessity. Whether its research papers, eBooks, or user manuals, PDF files have become the preferred format for sharing and reading documents. However, the cost associated with purchasing PDF files can sometimes be a barrier for many individuals and organizations. Thankfully, there are numerous websites and platforms that allow users to download free PDF files legally. In this article, we will explore some of the best platforms to download free PDFs. One of the most popular platforms to download free PDF files is Project Gutenberg. This online library offers over 60,000 free eBooks that are in the public domain. From classic literature to historical documents, Project Gutenberg provides a wide range of PDF files that can be downloaded and enjoyed on various devices. The website is user-friendly and allows users to search for specific titles or browse through different categories. Another reliable platform for downloading F3l91deutz Diesel Engine Service Manual free PDF files is Open Library. With its vast collection of over 1 million eBooks, Open Library has something for every reader. The website offers a seamless experience by providing options to borrow or download PDF files. Users simply need to create a free account to access this treasure trove of knowledge. Open Library also allows users to contribute by uploading and sharing their own PDF files, making it a collaborative platform for book enthusiasts. For those interested in academic resources, there are websites dedicated to providing free PDFs of research papers and scientific articles. One such website is Academia.edu, which allows researchers and scholars to share their work with a global audience. Users can download PDF files of research papers, theses, and dissertations covering a wide range of subjects. Academia.edu also provides a platform for discussions and networking within the academic community. When it comes to downloading F3l91deutz Diesel Engine Service Manual free PDF files of magazines, brochures, and catalogs, Issuu is a popular choice. This digital publishing platform hosts a vast collection of publications from around the world. Users can search for specific titles or explore various categories and genres. Issuu offers a seamless reading experience with its user-friendly interface and allows users to download PDF files for offline reading. Apart from dedicated platforms, search engines also play a crucial role in finding free PDF files. Google, for instance, has an advanced search feature that allows users to filter results by file type. By specifying the file type as "PDF," users can find websites that offer free PDF downloads on a specific topic. While downloading F3l91deutz Diesel Engine

Service Manual free PDF files is convenient, its important to note that copyright laws must be respected. Always ensure that the PDF files you download are legally available for free. Many authors and publishers voluntarily provide free PDF versions of their work, but its essential to be cautious and verify the authenticity of the source before downloading F3l91deutz Diesel Engine Service Manual. In conclusion, the internet offers numerous platforms and websites that allow users to download free PDF files legally. Whether its classic literature, research papers, or magazines, there is something for everyone. The platforms mentioned in this article, such as Project Gutenberg, Open Library, Academia.edu, and Issuu, provide access to a vast collection of PDF files. However, users should always be cautious and verify the legality of the source before downloading F3l91deutz Diesel Engine Service Manual any PDF files. With these platforms, the world of PDF downloads is just a click away.

FAQs About F3l91deutz Diesel Engine Service Manual Books

How do I know which eBook platform is the best for me? Finding the best eBook platform depends on your reading preferences and device compatibility. Research different platforms, read user reviews, and explore their features before making a choice. Are free eBooks of good quality? Yes, many reputable platforms offer high-quality free eBooks, including classics and public domain works. However, make sure to verify the source to ensure the eBook credibility. Can I read eBooks without an eReader? Absolutely! Most eBook platforms offer web-based readers or mobile apps that allow you to read eBooks on your computer, tablet, or smartphone. How do I avoid digital eye strain while reading eBooks? To prevent digital eye strain, take regular breaks, adjust the font size and background color, and ensure proper lighting while reading eBooks. What the advantage of interactive eBooks? Interactive eBooks incorporate multimedia elements, quizzes, and activities, enhancing the reader engagement and providing a more immersive learning experience. F3l91deutz Diesel Engine Service Manual is one of the best book in our library for free trial. We provide copy of F3l91deutz Diesel Engine Service Manual in digital format, so the resources that you find are reliable. There are also many Ebooks of related with F3l91deutz Diesel Engine Service Manual. Where to download F3l91deutz Diesel Engine Service Manual online for free? Are you looking for F3l91deutz Diesel Engine Service Manual PDF? This is definitely going to save you time and cash in something you should think about.

Find F3l91deutz Diesel Engine Service Manual :

george frederic handel

[german forestry](#)

german shepherd puppies 2006 calendar

german opposition to hitler the resistance the underground and assassination plots 1938-1945

[georgia almanac 19891990](#)

geriatric mental health nursing current and future challenges

[georgie fills the gap](#)

geriatric nurse practitioner certification review

george burns how to live to be 100 or morecassette

georges rouault miserere

[german foreign policy 19171933 continuity or break](#)

german historical school the historical and ethical approach to economics

[george iii and the mad-business](#)

german criticism of zola

germany in the age of total war by

F3l9ldeutz Diesel Engine Service Manual :

[leadership in organizations 8th edition test bank issuu](#) - Mar 13 2023

web full file at this test bank includes 16 multiple choice items for each chapter many of the items were selected from the test bank used with the prior edition of the book but some

leadership in organizations 8th edition by gary yukl test bank - Dec 10 2022

web pdf files are available for the leadership in organizations 8th edition by gary yukl test bank become more prepared for your exams by accessing our test bank instantly

leadership in organizations 8th edition test bank - Mar 01 2022

web sep 29 2023 edition 8th edition format downloadable zip file resource type test bank duration unlimited downloads delivery instant download

leadership in organizations 8th edition by gary yukl test bank - Jul 17 2023

web pdf files are available for the leadership in organizations 8th edition by gary yukl test bank become more prepared for your exams

[leadership in organizations 8th edition test bank gary a yukl issuu](#) - Jan 11 2023

web edition 8th edition format downloadable zip file resource type test bank duration unlimited downloads delivery instant

download

[leadership in organizations 8th edition by gary yukl test bank](#) - Nov 09 2022

web feb 12 2014 title leadership in organizations edition 8th edition isbn 10 0132771861 isbn 13 9780132771863 this is not the actual book you

test bank for leadership theory and practice 8th edition peter - May 03 2022

web apr 11 2019 preface this manual is designed to facilitate learning and assessment of leadership theories concepts research findings and practices in the seventh edition of

leadership in organizations 8th edition yukl solutions manual - Apr 02 2022

web leadership in organizations 8th edition test bank is available in our book collection an online access to it is set as public so you can download it instantly our book servers

leadership in organizations 8th edition by gary yukl - Jul 05 2022

web leadership theory and practice 8th edition northouse test bank full download alibabadownload com product leadership theory and practice 8th edition

leadership in organizations 8th edition yukl test bank issuu - Nov 28 2021

web mar 10 2023 leadership in organizations 8th edition yukl test bank full download testbanktip com download leadership in organizations 8th edition yukl

[leadership in organizations 8th edition by gary yukl test bank](#) - Sep 07 2022

web description leadership in organizations 8th edition yukl test bank this is not the text book you are buying test bank for leadership in organizations 8th

leadership in organizations 8th edition yukl test bank - Oct 28 2021

test bank for leadership in organizations 8th edition yukl - Feb 12 2023

web jul 29 2023 leadership in organizations 8th edition test bank gary a yukl full chapter at testbankbell com product leadership in organizations 8th edition

leadership theory and practice 8th edition test bank - Dec 30 2021

web sep 12 2023 download full leadership in organizations 8th edition yukl test bank at testbankdeal com product leadership in organizations 8th edition yukl test

test bank for leadership in organizations 8th edition gary a - Oct 08 2022

web leadership in organizations provides a balance of theory and practice as it surveys the major theories and research on leadership and managerial effectiveness in formal

leadership in organizations 8th edition yukl test bank - Aug 18 2023

web leadership in organizations 8th edition by gary yukl test bank contents chapter 1 the nature of leadership chapter 2 the nature of managerial work chapter 3

leadership in organizations 8th edition by gary yukl test bank - Jun 16 2023

web aug 22 2016 view test prep test bank for leadership in organizations 8th edition yukl from ba m152 at ho chi minh city international university full file at

leadership in organizations 8th edition by gary yukl test bank - Apr 14 2023

web full chapter at testbankbell com product leadership in organizations 8th edition test bank gary a yukl chapter 1 the nature of leadership a scholarly nitpicking about

test bank for leadership in organizations 8th edition yukl - May 15 2023

web leadership in organizations 8th edition by gary yukl test bank chapter 11 strategic leadership by top executives 1 which condition is not likely to limit a chief executive s

leadership research findings practice and skills 8th edition - Jan 31 2022

web check out the most comprehensive leadership theory and practice 8th edition by peter g northouse test bank and solutions manuals available online

leadership theory and practice 8th edition northouse test bank - Jun 04 2022

web for leadership theory and practice 8th edition peter g northouse test bank chapter 1 introduction multiple choice 1 argued that the major activities of management

leadership in organizations 8th edition yukl test bank - Aug 06 2022

web offer now to discover effective leadership strategies in leadership in organizations 8th edition by gary yukl a comprehensive edition add anything here or just

test bank for leadership in organizations 8th edition - Sep 19 2023

web leadership in organizations 8th edition yukl test bank free download as pdf file pdf text file txt or read online for free test bank

rich dad poor dad wikipedia - Jul 12 2023

web rich dad poor dad is a 1997 book written by robert t kiyosaki and sharon lechter it advocates the importance of financial literacy financial education financial independence and building wealth through investing in assets real estate investing starting and owning businesses as well as increasing one s financial intelligence financial iq

rich dad poor dad by robert t kiyosaki archive org - May 10 2023

web oct 26 2021 rich dad poor dad is robert s story of growing up with two dads his real father and the father of his best

friend his rich dad and the ways in which both men shaped his thoughts about money and investing

rich dad poor dad pdf google drive - Sep 14 2023

web view details request a review learn more

[rich dad poor dad summary robert kiyosaki book](#) - Jun 11 2023

web nov 28 2020 rich dad poor dad is robert kiyosaki s best selling book about the difference in mindset between the poor middle class and rich in this rich dad poor dad book summary we ll break down some of the best lessons kiyosaki shares to help you become more financially literate

robert t kiyosaki rich dad - Feb 07 2023

web best known as the author of rich dad poor dad the 1 personal finance book of all time robert kiyosaki has challenged and changed the way tens of millions of people around the world think about money he is an entrepreneur educator and investor who believes the world needs more entrepreneurs who will create jobs

rich dad poor dad what the rich teach their kids about - Jan 06 2023

web apr 5 2022 drawing from kiyosaki s personal experience rich dad poor dad examines the difference of mindset between the rich the poor and the middle class it attempts to answer some of the burning questions that pervade each class and their eternal struggle with wealth or lack thereof

[rich dad poor dad the 1 best selling personal finance book](#) - Aug 13 2023

web robert kiyosaki rich dad poor dad offers personal finance education to help you learn about cash flow real estate investing and business building

rich dad poor dad books rich dad - Apr 09 2023

web sainath r amazon reviewer one of the best financial advice books i have ever read i highly recommend anyone who is looking to work towards financial freedom to read this book liabilities take money out of your pocket don t bury your failures recognize them and learn from them

google podcasts rich dad poor dad - Dec 05 2022

web lesson 7 overcoming obstacles rich dad poor dad is robert s story of growing up with two dads his real father and the father of his best friend his rich dad and the ways in which both men shaped his thoughts about money and investing 10 min

[rich dad poor dad what the rich teach their kids about](#) - Mar 08 2023

web apr 11 2017 rich dad poor dad is robert s story of growing up with two dads his real father and the father of his best friend his rich dad and the ways in which both men shaped his thoughts about money and investing

the museum of broken relationships google books - Apr 17 2023

web as word spread the tiny museum became a worldwide sensation collected here are 203 of the best funniest most

heartwarming and thought provoking pieces that offer an irresistible experience of human connection the museum of broken relationships is a poignant celebration of modern love and a must read for anyone who has ever loved and lost

the museum of broken relationships by vistica olinka - Jul 20 2023

web nov 14 2017 in the spirit of humans of new york and postsecret ths is a gorgeous gift book celebrating the objects that outlast love a poignant funny sometimes bizarre and always delightful window into modern love and loss

the museum of broken relationships apple books - Mar 04 2022

web nov 14 2017 publisher description in the spirit of humans of new yorkand postsecret ths is a gorgeous gift book celebrating the objects that outlast love a poignant funny sometimes bizarre and always delightful window into modern love and loss leave s your heart feeling full and connected frank warren postsecret

[museum of broken relationships wikipedia](#) - Aug 09 2022

web the museum of broken relationships croatian muzej prekinutih veza is a museum in zagreb croatia dedicated to failed love relationships its exhibits include personal objects left over from former lovers accompanied by brief descriptions the museum began as a traveling collection of donated items

the museum of broken relationships modern love in 203 - Oct 23 2023

web the museum of broken relationships modern love in 203 everyday objects vistica olinka grubisic drazen amazon sg books

the museum of broken relationships campus magazine - May 06 2022

web jul 8 2016 welcome to the museum of broken relationships mobr where you can see artifacts of people s past relationships and read the stories behind them conceived by olinka vištica and dražen grubišić when they were breaking up the idea proved so popular that a permanent branch of the museum was opened in hollywood last month

the museum of broken relationships google books - Feb 15 2023

web as word spread the tiny museum became a worldwide sensation collected here are 203 of the best funniest most heartwarming and thought provoking pieces that offer an irresistible experience of human connection the museum of broken relationships is a poignant celebration of modern love and a must read for anyone who has ever loved and lost

museum of broken relationships herron school of art design - Jun 07 2022

web apr 22 2023 the museum of broken relationships is about you us and how we love lose and grow conceived by croatian artists olinka vištica and dražen grubišić in 2006 after their breakup the museum of broken relationships collects and exhibits the objects and stories that remain when relationships end

[everything you need to know about the museum of broken relationships](#) - Mar 16 2023

web dec 18 2018 whatever the circumstances of a broken heart lovesick folks the world over may draw comfort from the museum of broken relationships the brainchild of two star crossed croatian lovers olinka vištica and dražen grubišić after

their own love affair ended the estranged couple began collecting the relics of other failed relationships
inside croatia s fascinating museum of broken relationships - Apr 05 2022

web jan 10 2012 located in zagreb croatia the museum of broken relationships exhibits the heartache of failed romances and unrequited love you might have lost in love but the creators of this museum want you to know you re not alone

the museum of broken relationships jstor daily - Jul 08 2022

web sep 4 2015 they have the power to stabilize life the trinkets that fill the museum of broken relationships are more than trash they re artifacts of human relationships that were but are no more they symbolize an event we can all relate to the break up

the museum of broken relationships modern love in 203 - Jan 14 2023

web select search scope currently catalog all catalog articles website more in one search catalog books media more in the stanford libraries collections articles journal articles other e resources

the museum of broken relationships keeps the stuff left behind - Aug 21 2023

web feb 14 2023 vistica recalled thinking a global archive of failed romances could help couples move on from heartbreak vistica said it would also let them say to the world this love existed today the

the museum of broken relationships by vistica olinka - Oct 11 2022

web buy the museum of broken relationships modern love in 203 everyday objects 1 by vistica olinka grubisic drazen isbn 9781474605496 from amazon s book store everyday low prices and free delivery on eligible orders

[the museum of broken relationships by olinka vistica goodreads](#) - Sep 22 2023

web jan 1 2009 as word spread the tiny museum became a worldwide sensation collected here are 203 of the best funniest most heartwarming and thought provoking pieces that offer an irresistible experience of human connection the museum of broken relationships is a poignant celebration of modern love and a must read for anyone

the museum of broken relationships modern love in 203 - May 18 2023

web as word spread the tiny museum became a worldwide sensation collected here are 203 of the best funniest most heartwarming and thought provoking pieces that offer an irresistible experience of human connection the museum of broken relationships is a poignant celebration of modern love and a must read for anyone who has ever loved and lost

[the museum of broken relationships google books](#) - Nov 12 2022

web in the spirit of humans of new york and postsecret museum of broken relationships is a gorgeous gift book celebrating the objects that outlast love a poignant funny sometimes bizarre and always delightful window into modern love and loss a postcard from a childhood sweetheart a wedding dress sealed in a jar a roll of

if you ve ever loved anyone these stories will break your heart - Jun 19 2023

web nov 13 2017 now the founders have collected some of the most heartwarming heartbreaking and entertaining items in their first book the museum of broken relationships modern love in 203 everyday objects below are some of our favorites

the museum of broken relationships modern love in 203 - Sep 10 2022

web nov 16 2017 the museum of broken relationships modern love in 203 everyday objects kindle edition by vistica olinka grubisic drazen download it once and read it on your kindle device pc phones or tablets use features like bookmarks note taking and highlighting while reading the museum of broken relationships modern love in 203

the museum of broken relationships collects worldwide objects - Dec 13 2022

web sep 29 2021 in the introduction to their book museum of broken relationships modern love in 203 everyday objects vistica explains the need for this space and why people contribute our society acknowledges marriages funerals and even graduations but denies us any formal occasion to recognize the demise of a relationship despite the