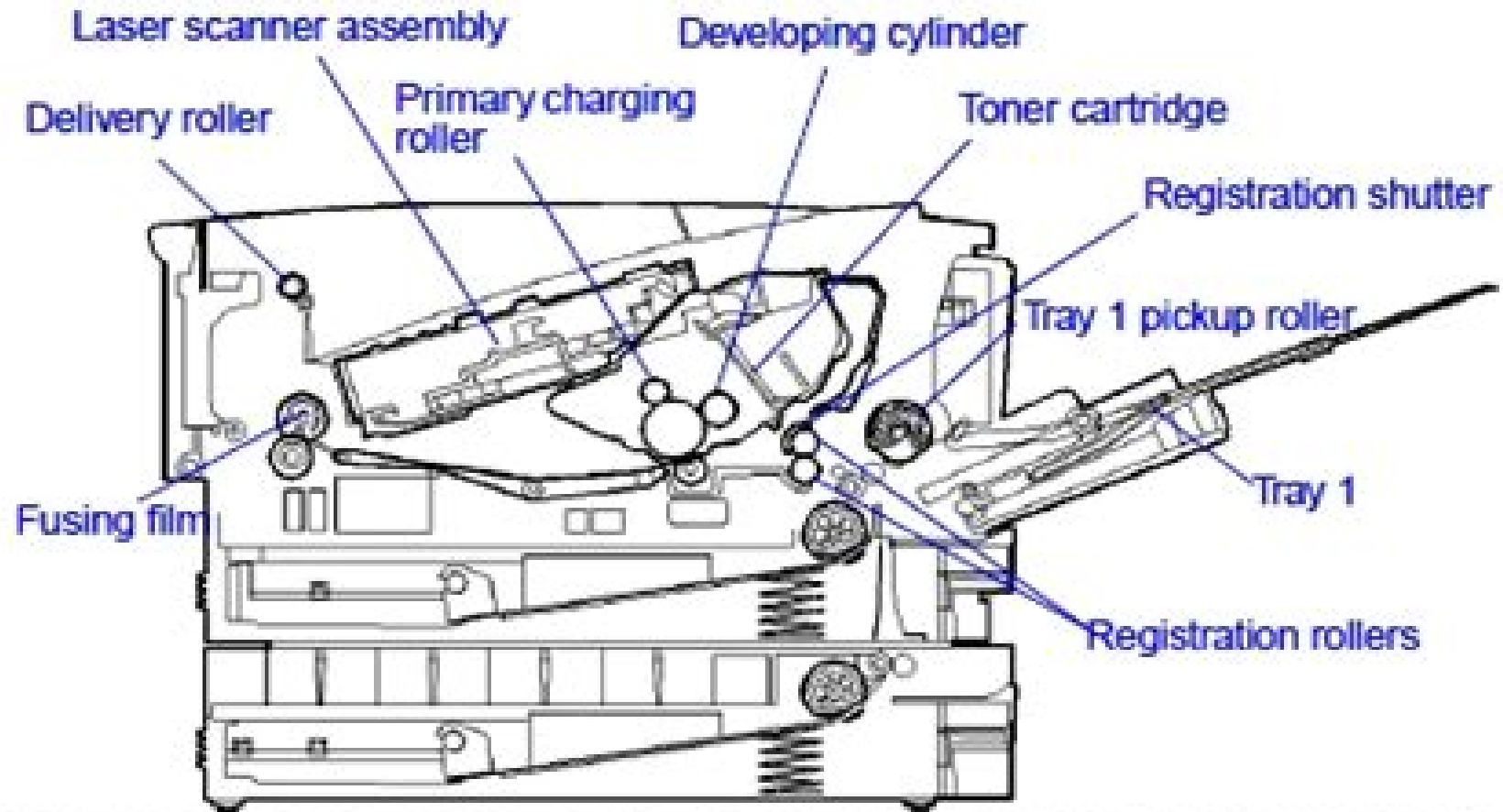


Internal Assembly Locations

Figure 1-6 Internal Assembly Locations (1 of 2)



Preview: HP LaserJet 2100 service manual

[Download Now!](#)

Hp 2100 Service Manual

Hussin A.Rothana



Hp 2100 Service Manual:

Unveiling the Power of Verbal Artistry: An Mental Sojourn through **Hp 2100 Service Manual**

In a world inundated with screens and the cacophony of immediate connection, the profound energy and psychological resonance of verbal artistry often fade in to obscurity, eclipsed by the constant assault of noise and distractions. Yet, set within the musical pages of **Hp 2100 Service Manual**, a fascinating function of fictional beauty that pulses with raw thoughts, lies an wonderful journey waiting to be embarked upon. Written by way of a virtuoso wordsmith, this exciting opus instructions readers on an emotional odyssey, lightly revealing the latent possible and profound influence embedded within the elaborate internet of language. Within the heart-wrenching expanse of this evocative analysis, we shall embark upon an introspective exploration of the book is key themes, dissect its captivating publishing design, and immerse ourselves in the indelible impact it leaves upon the depths of readers souls.

<https://staging.conocer.cide.edu/book/virtual-library/Documents/lexus%20shop%20manual.pdf>

Table of Contents Hp 2100 Service Manual

1. Understanding the eBook Hp 2100 Service Manual
 - The Rise of Digital Reading Hp 2100 Service Manual
 - Advantages of eBooks Over Traditional Books
2. Identifying Hp 2100 Service Manual
 - Exploring Different Genres
 - Considering Fiction vs. Non-Fiction
 - Determining Your Reading Goals
3. Choosing the Right eBook Platform
 - Popular eBook Platforms
 - Features to Look for in an Hp 2100 Service Manual
 - User-Friendly Interface
4. Exploring eBook Recommendations from Hp 2100 Service Manual
 - Personalized Recommendations

- Hp 2100 Service Manual User Reviews and Ratings
- Hp 2100 Service Manual and Bestseller Lists
- 5. Accessing Hp 2100 Service Manual Free and Paid eBooks
 - Hp 2100 Service Manual Public Domain eBooks
 - Hp 2100 Service Manual eBook Subscription Services
 - Hp 2100 Service Manual Budget-Friendly Options
- 6. Navigating Hp 2100 Service Manual eBook Formats
 - ePub, PDF, MOBI, and More
 - Hp 2100 Service Manual Compatibility with Devices
 - Hp 2100 Service Manual Enhanced eBook Features
- 7. Enhancing Your Reading Experience
 - Adjustable Fonts and Text Sizes of Hp 2100 Service Manual
 - Highlighting and Note-Taking Hp 2100 Service Manual
 - Interactive Elements Hp 2100 Service Manual
- 8. Staying Engaged with Hp 2100 Service Manual
 - Joining Online Reading Communities
 - Participating in Virtual Book Clubs
 - Following Authors and Publishers Hp 2100 Service Manual
- 9. Balancing eBooks and Physical Books Hp 2100 Service Manual
 - Benefits of a Digital Library
 - Creating a Diverse Reading Collection Hp 2100 Service Manual
- 10. Overcoming Reading Challenges
 - Dealing with Digital Eye Strain
 - Minimizing Distractions
 - Managing Screen Time
- 11. Cultivating a Reading Routine Hp 2100 Service Manual
 - Setting Reading Goals Hp 2100 Service Manual
 - Carving Out Dedicated Reading Time
- 12. Sourcing Reliable Information of Hp 2100 Service Manual
 - Fact-Checking eBook Content of Hp 2100 Service Manual

- Distinguishing Credible Sources
- 13. Promoting Lifelong Learning
 - Utilizing eBooks for Skill Development
 - Exploring Educational eBooks
- 14. Embracing eBook Trends
 - Integration of Multimedia Elements
 - Interactive and Gamified eBooks

Hp 2100 Service Manual Introduction

Free PDF Books and Manuals for Download: Unlocking Knowledge at Your Fingertips In today's fast-paced digital age, obtaining valuable knowledge has become easier than ever. Thanks to the internet, a vast array of books and manuals are now available for free download in PDF format. Whether you are a student, professional, or simply an avid reader, this treasure trove of downloadable resources offers a wealth of information, conveniently accessible anytime, anywhere. The advent of online libraries and platforms dedicated to sharing knowledge has revolutionized the way we consume information. No longer confined to physical libraries or bookstores, readers can now access an extensive collection of digital books and manuals with just a few clicks. These resources, available in PDF, Microsoft Word, and PowerPoint formats, cater to a wide range of interests, including literature, technology, science, history, and much more. One notable platform where you can explore and download free Hp 2100 Service Manual PDF books and manuals is the internet's largest free library. Hosted online, this catalog compiles a vast assortment of documents, making it a veritable goldmine of knowledge. With its easy-to-use website interface and customizable PDF generator, this platform offers a user-friendly experience, allowing individuals to effortlessly navigate and access the information they seek. The availability of free PDF books and manuals on this platform demonstrates its commitment to democratizing education and empowering individuals with the tools needed to succeed in their chosen fields. It allows anyone, regardless of their background or financial limitations, to expand their horizons and gain insights from experts in various disciplines. One of the most significant advantages of downloading PDF books and manuals lies in their portability. Unlike physical copies, digital books can be stored and carried on a single device, such as a tablet or smartphone, saving valuable space and weight. This convenience makes it possible for readers to have their entire library at their fingertips, whether they are commuting, traveling, or simply enjoying a lazy afternoon at home. Additionally, digital files are easily searchable, enabling readers to locate specific information within seconds. With a few keystrokes, users can search for keywords, topics, or phrases, making research and finding relevant information a breeze. This efficiency saves time and effort, streamlining the learning process and allowing individuals to focus on extracting the information they

need. Furthermore, the availability of free PDF books and manuals fosters a culture of continuous learning. By removing financial barriers, more people can access educational resources and pursue lifelong learning, contributing to personal growth and professional development. This democratization of knowledge promotes intellectual curiosity and empowers individuals to become lifelong learners, promoting progress and innovation in various fields. It is worth noting that while accessing free Hp 2100 Service Manual PDF books and manuals is convenient and cost-effective, it is vital to respect copyright laws and intellectual property rights. Platforms offering free downloads often operate within legal boundaries, ensuring that the materials they provide are either in the public domain or authorized for distribution. By adhering to copyright laws, users can enjoy the benefits of free access to knowledge while supporting the authors and publishers who make these resources available. In conclusion, the availability of Hp 2100 Service Manual free PDF books and manuals for download has revolutionized the way we access and consume knowledge. With just a few clicks, individuals can explore a vast collection of resources across different disciplines, all free of charge. This accessibility empowers individuals to become lifelong learners, contributing to personal growth, professional development, and the advancement of society as a whole. So why not unlock a world of knowledge today? Start exploring the vast sea of free PDF books and manuals waiting to be discovered right at your fingertips.

FAQs About Hp 2100 Service Manual Books

1. Where can I buy Hp 2100 Service Manual books? Bookstores: Physical bookstores like Barnes & Noble, Waterstones, and independent local stores. Online Retailers: Amazon, Book Depository, and various online bookstores offer a wide range of books in physical and digital formats.
2. What are the different book formats available? Hardcover: Sturdy and durable, usually more expensive. Paperback: Cheaper, lighter, and more portable than hardcovers. E-books: Digital books available for e-readers like Kindle or software like Apple Books, Kindle, and Google Play Books.
3. How do I choose a Hp 2100 Service Manual book to read? Genres: Consider the genre you enjoy (fiction, non-fiction, mystery, sci-fi, etc.). Recommendations: Ask friends, join book clubs, or explore online reviews and recommendations. Author: If you like a particular author, you might enjoy more of their work.
4. How do I take care of Hp 2100 Service Manual books? Storage: Keep them away from direct sunlight and in a dry environment. Handling: Avoid folding pages, use bookmarks, and handle them with clean hands. Cleaning: Gently dust the covers and pages occasionally.

5. Can I borrow books without buying them? Public Libraries: Local libraries offer a wide range of books for borrowing. Book Swaps: Community book exchanges or online platforms where people exchange books.
6. How can I track my reading progress or manage my book collection? Book Tracking Apps: Goodreads, LibraryThing, and Book Catalogue are popular apps for tracking your reading progress and managing book collections. Spreadsheets: You can create your own spreadsheet to track books read, ratings, and other details.
7. What are Hp 2100 Service Manual audiobooks, and where can I find them? Audiobooks: Audio recordings of books, perfect for listening while commuting or multitasking. Platforms: Audible, LibriVox, and Google Play Books offer a wide selection of audiobooks.
8. How do I support authors or the book industry? Buy Books: Purchase books from authors or independent bookstores. Reviews: Leave reviews on platforms like Goodreads or Amazon. Promotion: Share your favorite books on social media or recommend them to friends.
9. Are there book clubs or reading communities I can join? Local Clubs: Check for local book clubs in libraries or community centers. Online Communities: Platforms like Goodreads have virtual book clubs and discussion groups.
10. Can I read Hp 2100 Service Manual books for free? Public Domain Books: Many classic books are available for free as they're in the public domain. Free E-books: Some websites offer free e-books legally, like Project Gutenberg or Open Library.

Find Hp 2100 Service Manual :

lexus shop manual

[lexmark c760 c762 service manual](#)

[leurope barbare e eacuted cursus](#)

[lexus gs300 user manual 2003](#)

lexus gs300 service repair manual 91 97

[lexmark t 63x manual](#)

[levangile de matthieu iii quel evangile perfectionne les chretiens](#)

[lg 47lh30 service manual](#)

[lexmark c750 service manual](#)

lfsc memo grade 11 p1 2013 limpopo

[lexus ct200h service cost](#)

lewis 8th edition hematology test bank

lexmark x463de service manual

lg 22lv2500 22lv2500 sg led lcd tv service manual

lexus is250 manual key

Hp 2100 Service Manual :

[free health templates pdf word excel opendocs](#) - Jan 27 2023

web free health templates pdf word excel home health templates a health template is a form that allows a person to record and review data about their health nutrition fitness or medical status templates assist in building and adhering to a daily weekly or monthly wellness routine

free medical records templates for google sheets and microsoft excel - Sep 03 2023

web medical records templates can be used to create customized data management and analysis tools with free spreadsheets for microsoft excel and google sheets you can create your own custom formulas charts and graphs or simply input data into the pre existing columns and rows

free medical form templates smartsheet patient medical record excel - Aug 02 2023

web list performed medical service official medication rate for server and payment totals in this easy to use template excel health record tracking log template by excelmadeeasy word pdf save track of medications monitor doses and detail what your medications treat with this helpful medical log template

healthcare related design templates microsoft create - May 31 2023

web create healthcare presentations promote healthcare initiatives and more customize professional healthcare templates easily using powerpoint excel designer and word each template is fully customizable and allows you to change the text images and fonts or even add videos or animations

free health records templates for google sheets and microsoft excel - Apr 29 2023

web view our free and editable health records templates for excel or google sheets these health records spreadsheet templates are easy to modify and you can customize the design the header table formulas to suit your needs

medical record template dashboard efinancialmodels - Mar 17 2022

web medical record template available visualizations patient dashboard control panel with key patient information on a single screen here you can see data such as the percentage of exams within normality date of the last consultation performed and

ms excel personal medical health record template excel templates - Mar 29 2023

web this whole feature has made convenient by free templates which are available on a website these templates allow the

patients to just fill in their health information in the downloaded template and they can further customize it according to their personal requirements download your file below personal medical health record sheet

download from excel made easy health record tracking sheet - Jun 19 2022

web top 10 most used functions and formulas purchase order template invoice template projects management travel expense report nutritional value of food swot matrix template track you life goals and achievements more than 255 data series per chart

patient medical record excel spreadsheet template - Apr 17 2022

web the patient medical record spreadsheet template is a great way to manage and record your patient s history features of the patient medical record spreadsheet template patient data note the key information related to the

free health records template download in excel google - Feb 25 2023

web easily editable printable downloadable manage your health records with our free online templates and choose from a wide array of editable printable and professional formats for patient medical charts blank forms

health templates health form template - Feb 13 2022

web take care of your precious pup the right way with the free dog vaccination schedule this template is exactly what you need to make sure your dog has what they need from the health templates are a great way to accurately track your diet and well being find a great health form template here

keep up with patient care from anywhere microsoft support - Sep 22 2022

web accessibility center use office 365 apps to edit store and manage patient care records draft an action plan and meet patients via hd video from anywhere on any device

best excel patient medical record templates to download in - Jul 01 2023

web get access to excel patient medical record templates in a click and focus on activities that matter the most straightforward guide on how to get excel patient medical record templates get a template you need to use click on it and start editing patient medical record with dochub s innovative tools

11 medical spreadsheet templates pdfiller - Aug 22 2022

web medical spreadsheet templates blank spreadsheet fill now excel sheet form for other sheet sample fill now assisted housing fill now personal health record template fill now printable caregiver forms fill now health history form fill now medication list template fill now superbill template fill now

free medical form templates smartsheet - Oct 04 2023

web jan 18 2019 in this article you ll find the most useful free downloadable medical forms and templates in microsoft word excel and pdf formats customize the templates to document medical history consent progress and

free medical record template download in word google docs excel - Oct 24 2022

web medical record templates organize information into printable form for patients with the help of our medical record templates get these professional documents for free from template net we have samples like sample medical records releases medical records technician resumes medical records assistant resumes and more

excel health record tracking log template by excelmadeeasy - May 19 2022

web the first part of the excel health log template is about personal thing like your name date of birth medical id social security number or any other personal information the second part of our excel health log template is about the doctors you visited the medicament or medicine you took the vaccinations the medical visits to hospitals

personal medical health record sheet word excel templates - Nov 24 2022

web may 9 2016 in short a personal medical health record is used for collecting the entire information about your medical history and current health condition this creates an organized system for future check ups and medical procedures with enhanced efficiency a template can be downloaded to create your personal medical health record sheet

best excel medical report templates to download in 2023 - Jul 21 2022

web access excel medical report templates in one click and focus on duties that matter the most for you simple guide on the way to discover excel medical report templates look for a template you need to use select it and begin modifying medical report with dochub s innovative instruments

280 medical forms templates free templates in doc ppt - Dec 26 2022

web medical records release form view more doctors note template view more discharge summary template view more against medical advice form view more drug classification chart view more medical clearance form view more immunization record view more medical waiver form view more nurse notes view more mood

blood of the isles bryan sykes 9780593056530 amazon com - Dec 08 2022

web jan 1 2006 an appealing overview of the history of the isles of the british conglomerate sykes traces the genetic background to the four populations of the isles scottish irish welsh and english from current day swabs and blood pricks to reveal groups by their mitochondrial dna and paternal dna to establish geographical groupings of founder

blood of the isles english edition formato kindle amazon it - Jun 02 2022

web blood of the isles english edition ebook sykes bryan amazon it kindle store

blood of the isles english edition versión kindle amazon es - Nov 07 2022

web lee ahora en digital con la aplicación gratuita kindle

9780552154659 blood of the isles abebooks sykes bryan - Jan 09 2023

web his was the first detailed account of the celtic tribes that inhabited the isles but where had they come from and how long

had they been there when the romans eventually left

blood of the isles english edition seminary fbny - Feb 27 2022

web blood of the isles english edition downloaded from seminary fbny org by guest ximena kendrick romans barbarians and the transformation of the roman world brill

blood of the isles english edition format kindle amazon fr - Mar 31 2022

web achetez et téléchargez ebook blood of the isles english edition boutique kindle genealogy amazon fr

blood of the isles hardcover 12 sept 2006 amazon co uk - Aug 16 2023

web buy blood of the isles first edition by sykes professor bryan isbn 9780593056523 from amazon s book store everyday low prices and free delivery on eligible orders

blood of the isles ebook sykes bryan amazon co uk books - Mar 11 2023

web paperback 9 95 9 used from 0 90 13 new from 8 48 bryan sykes the world s first genetic archaeologist takes us on a journey around the family tree of britain and ireland to reveal how our tribal history still colours the country today in 54bc julius caesar launched the first roman invasion of britain

blood of the isles english edition edición kindle amazon com mx - May 01 2022

web blood of the isles english edition ebook sykes bryan amazon com mx tienda kindle

blood of the isles sykes bryan amazon com tr kitap - Jul 03 2022

web blood of the isles sykes bryan amazon com tr kitap Çerez tercihlerinizi seçin Çerez bildirimimizde ayrıntılı şekilde açıklandığı üzere alışveriş yapmanızı sağlamak alışveriş deneyiminizi iyileştirmek ve hizmetlerimizi sunmak için gerekli olan çerezleri ve benzer araçları kullanırız

blood of the isles english edition kindle edition amazon de - Feb 10 2023

web blood of the isles english edition ebook sykes bryan amazon de kindle store

blood of the isles hardcover january 1 2006 amazon com - Apr 12 2023

web jan 1 2006 blood of the isles is a very well written book thoroughly researched by competent people a professor sykes tells the story of our past with a vivid quality and purpose it makes a lot of sense especially with the dna journey to our humble beginnings helena and jasmine have the greatest assessment for england of which i came from

blood of the isles download e bookshelf de - Oct 06 2022

web 15 england 16 saxons danes vikings and normans 17 the dna of england 18 the blood of the isles appendix plates acknowledgements the research that led to blood of the isles was a team effort i had a wonderful team both in the field and in the lab

blood of the isles kindle edition amazon com au - Sep 05 2022

web a gripping detective story backed up by fascinating science blood of the isles casts new light on our ancestry and reveals what our genes can tell us about our attitudes to ourselves each other and to our past

[blood of the isles english edition ebook kindle amazon com br](#) - Aug 04 2022

web compre blood of the isles english edition de sykes bryan na amazon com br confira também os ebooks mais vendidos lançamentos e livros digitais exclusivos

[blood of the isle 2004 edition open library](#) - Jan 29 2022

web blood of the isle a battletech novel by loren l coleman 0 ratings 1 want to read 1 currently reading 1 have read

blood of the isles by bryan sykes open library - Jul 15 2023

web may 23 2023 blood of the isles exploring the genetic roots of our tribal history 2006 bantam in english 0593056523 9780593056523 aaaa borrow listen libraries near you worldcat 1 blood of the isles

blood of the isles bryan sykes google books - May 13 2023

web feb 28 2011 reviews aren't verified but google checks for and removes fake content when it's identified bryan sykes the world's first genetic archaeologist takes us on a journey around the family tree of

[blood of the isles by bryan sykes open library](#) - Jun 14 2023

web nov 11 2022 blood of the isles by bryan sykes 2007 penguin random house edition in english

[blood of the isles google books](#) - Dec 28 2021

web blood of the isles exploring the genetic roots of our tribal history bryan sykes bantam 2006 british isles 306 pages in 54bc julius caesar invaded britain his account of that invasion

clauses and phrases with answer key 7th grade learny kids - Apr 14 2022

web displaying top 8 worksheets found for clauses and phrases with answer key 7th grade some of the worksheets for this concept are grade 7 writing and language kinds of clauses lesson 1 chapter 4 work 70 clauses and phrases work clauses and phrases exercises with answers phrases and clauses clauses practice answer key directions

[download solutions languagehandbook7clausesanswerkey](#) - Mar 14 2022

web handbook 7 clauses answer key 178 128 181 238 read pdf language handbook 7 clauses answer key language handbook worksheets identifying adverbs exercise a 1 verb plays 2 adjective talented 3 verb loses 4 adjective happy 5 verb should slice 6 adverb fast languagehandbook7clausesanswerkey 2022 vitaenet aurora oct 02 2022 language

language handbook answer key pdf free download docplayer - May 28 2023

web 3 table of contents language 1 the parts of speech language 2 agreement language 3 using verbs language 4 using pronouns language 5 using modifiers language 6 phrases language 7 clauses language 8 sentence structure language 9 writing complete sentences language 10 writing effective sentences language 11

[language handbook 7 clauses answer key copy uniport edu](#) - Feb 10 2022

web aug 18 2023 language handbook 7 clauses answer key when people should go to the book stores search instigation by shop shelf by shelf it is in point of fact problematic

[language handbook 7 clauses worksheets learny kids](#) - Jan 24 2023

web some of the worksheets for this concept are exercise of phrases and clauses for class 7 language handbook 7 clauses answer key language handbook 7 clauses answer key language handbook work grade 9 english grammar handbook chapter 7 subordinate clauses grade 7 writing and language language handbook 7 answer key

language handbook 7 yumpu - Dec 23 2022

web 1 adv as the chinese new year approaches 2 adj which are thought to bring good luck for the new year 3 adv because she wants the new year to be one of harmony and prosperity 4

[language handbook 7 clauses worksheets teacher worksheets](#) - Mar 26 2023

web language handbook 7 answer key language handbook 7 clauses worksheets there are 8 printable worksheets for this topic worksheets are exercise of phrases and clauses for class 7

7th grade language hand book answer key k12 workbook - Jun 16 2022

web worksheets are language handbook answer key grade 7 english language arts practice test language handbook work grammar effective date january 01 2009 list of gratis grammar practice workbook grade 7 math practice test name class date handbook 1 the parts of speech identifying click on open button to open and print to worksheet

holt mcdougal literature language handbook grade 7 - Sep 19 2022

web a separate answer key for the language handbook provides answers or suggested responses to all items in this booklet detailed contents language handbook 1 the parts of speech language handbook 2 agreement language handbook 3 using verbs language handbook 4 using pronouns language handbook 5 using modifiers

[phrase and clauses grade 7 answer key teacher worksheets](#) - Nov 21 2022

web language handbook answer key phrase and clauses grade 7 answer key worksheets there are 8 printable worksheets for this topic worksheets are phrases and clauses clauses and ph

[language handbook 7 clauses worksheets k12 workbook](#) - Apr 26 2023

web displaying all worksheets related to language handbook 7 clauses worksheets are exercise of phrases and clauses for class 7 language handbook 7 clauses answer key language handbook 7 clauses answer key language handbook work grade 9 english grammar handbook chapter 7 subordinate clauses grade 7 writing and language

language handbook 7 clauses answer key pdf uniport edu - May 16 2022

web language handbook 7 clauses answer key thank you unquestionably much for downloading language handbook 7 clauses

answer key most likely you have knowledge that people have see numerous times for their favorite books once this language handbook 7 clauses answer key but end stirring in harmful downloads

language handbook 7 clauses 6 identifying clauses k12 - Aug 19 2022

web worksheets are language handbook work language handbook 7 clauses answer key language handbook 7 answer key chapter 7 subordinate clauses c chapter 6the i know that many chapter 6 phrases clauses and sentences chapter 6 phrases clauses and sentences 00i tx i09lh

language handbook worksheets answer key pdf sentence - Jun 28 2023

web answer key 21 language handbook 7 clauses 6 when we were hunting for project material we worksheet 5 found three articles on the battle of wounded knee test 7 although jill was the smallest girl on her team exercise

language handbook 7 clauses answer key pdf uniport edu - Jan 12 2022

web aug 12 2023 language handbook 7 clauses answer key 2 5 downloaded from uniport edu ng on august 12 2023 by guest includes a handbook as well as vocabulary spelling and composition lessons systme d 4 0 frank dominguez 2004 06 the systme d writing assistant software program provides learners with rapid

language handbook 7 yumpu - Feb 22 2023

web mar 29 2015 7 strong clauses strong br 4 because i had run out of blue paint i finished br the closet in yellow br 5 while the names were being read we each br held our breath br 6 because everyone goes through this room we br call it grand central station br 7 when the curtain rose the stagehand was br

language handbook 7 clauses printable worksheets - Jul 18 2022

web some of the worksheets displayed are exercise of phrases and clauses for class 7 language handbook 7 clauses answer key language handbook 7 clauses answer key language handbook work grade 9 english grammar handbook chapter 7 subordinate clauses grade 7 writing and language language handbook 7 answer key

language handbook answer key studylib net - Aug 31 2023

web exercise answer key 33 6 2 09 6 54 pm language handbook page 34 10 writing effective sentences worksheet 7 combining sentences with noun clauses revisions will vary 1 the sushi chef told us that the wasabi is japanese horseradish 2 whoever wins the trophy will have the best batting average in the league

language handbook 7 clauses answer key answers for 2023 - Oct 21 2022

web language handbook 7 clauses answer key 250 kb s 1506 language handbook 7 clauses answer key checked 3168 kb s 9361 language handbook 7 clauses answer key added by users 3440 kb s 2815 language handbook 7 clauses answer key most popular 1836 kb s 4676 language handbook 7 clauses answer key full 1976 kb s

7 clauses cibacs yumpu - Jul 30 2023

web mar 29 2015 start now name class date br language br handbook br 7 strong clauses strong br worksheet 7 test rules 7
a f br exercise a in each of the following sentences identify the italicized clause as independent br or subordinate on the line
provided write ind for independent or sub for subordinate br