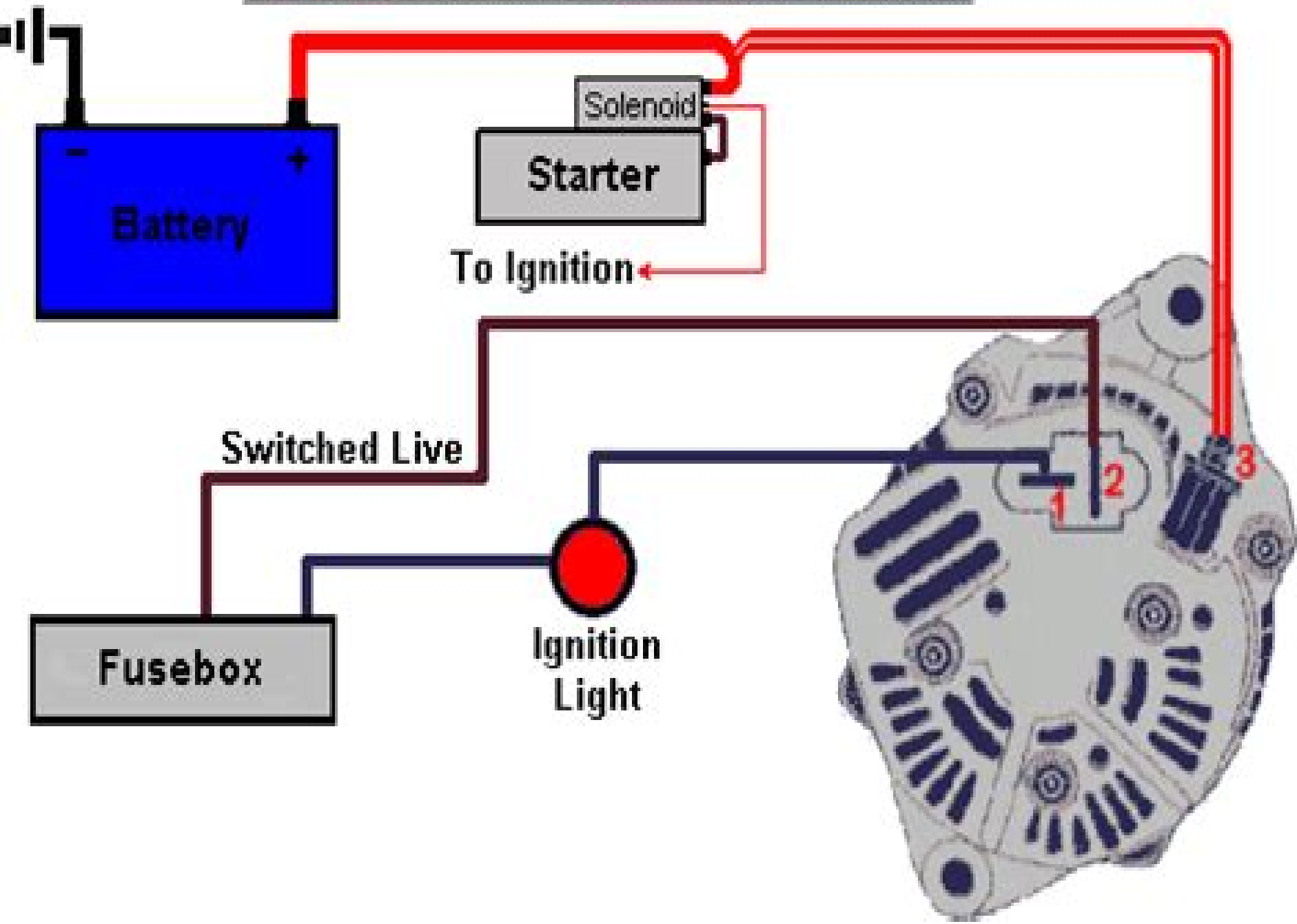


# Three connector Alternator



# F7ford Diesel Alternator Wiring Dia

**J Spring**



**F7ford Diesel Alternator Wiring Dia:**

## The Enigmatic Realm of **F7ford Diesel Alternator Wiring Dia**: Unleashing the Language is Inner Magic

In a fast-paced digital era where connections and knowledge intertwine, the enigmatic realm of language reveals its inherent magic. Its capacity to stir emotions, ignite contemplation, and catalyze profound transformations is nothing in short supply of extraordinary. Within the captivating pages of **F7ford Diesel Alternator Wiring Dia** a literary masterpiece penned by a renowned author, readers attempt a transformative journey, unlocking the secrets and untapped potential embedded within each word. In this evaluation, we shall explore the book's core themes, assess its distinct writing style, and delve into its lasting effect on the hearts and minds of people who partake in its reading experience.

<https://staging.conocer.cide.edu/book/Resources/default.aspx/Hypnotism%20Comes%20Of%20Age.pdf>

### **Table of Contents F7ford Diesel Alternator Wiring Dia**

1. Understanding the eBook F7ford Diesel Alternator Wiring Dia
  - The Rise of Digital Reading F7ford Diesel Alternator Wiring Dia
  - Advantages of eBooks Over Traditional Books
2. Identifying F7ford Diesel Alternator Wiring Dia
  - Exploring Different Genres
  - Considering Fiction vs. Non-Fiction
  - Determining Your Reading Goals
3. Choosing the Right eBook Platform
  - Popular eBook Platforms
  - Features to Look for in an F7ford Diesel Alternator Wiring Dia
  - User-Friendly Interface
4. Exploring eBook Recommendations from F7ford Diesel Alternator Wiring Dia
  - Personalized Recommendations
  - F7ford Diesel Alternator Wiring Dia User Reviews and Ratings
  - F7ford Diesel Alternator Wiring Dia and Bestseller Lists

5. Accessing F7ford Diesel Alternator Wiring Dia Free and Paid eBooks
  - F7ford Diesel Alternator Wiring Dia Public Domain eBooks
  - F7ford Diesel Alternator Wiring Dia eBook Subscription Services
  - F7ford Diesel Alternator Wiring Dia Budget-Friendly Options
6. Navigating F7ford Diesel Alternator Wiring Dia eBook Formats
  - ePub, PDF, MOBI, and More
  - F7ford Diesel Alternator Wiring Dia Compatibility with Devices
  - F7ford Diesel Alternator Wiring Dia Enhanced eBook Features
7. Enhancing Your Reading Experience
  - Adjustable Fonts and Text Sizes of F7ford Diesel Alternator Wiring Dia
  - Highlighting and Note-Taking F7ford Diesel Alternator Wiring Dia
  - Interactive Elements F7ford Diesel Alternator Wiring Dia
8. Staying Engaged with F7ford Diesel Alternator Wiring Dia
  - Joining Online Reading Communities
  - Participating in Virtual Book Clubs
  - Following Authors and Publishers F7ford Diesel Alternator Wiring Dia
9. Balancing eBooks and Physical Books F7ford Diesel Alternator Wiring Dia
  - Benefits of a Digital Library
  - Creating a Diverse Reading Collection F7ford Diesel Alternator Wiring Dia
10. Overcoming Reading Challenges
  - Dealing with Digital Eye Strain
  - Minimizing Distractions
  - Managing Screen Time
11. Cultivating a Reading Routine F7ford Diesel Alternator Wiring Dia
  - Setting Reading Goals F7ford Diesel Alternator Wiring Dia
  - Carving Out Dedicated Reading Time
12. Sourcing Reliable Information of F7ford Diesel Alternator Wiring Dia
  - Fact-Checking eBook Content of F7ford Diesel Alternator Wiring Dia
  - Distinguishing Credible Sources
13. Promoting Lifelong Learning

- Utilizing eBooks for Skill Development
  - Exploring Educational eBooks
14. Embracing eBook Trends
- Integration of Multimedia Elements
  - Interactive and Gamified eBooks

### **F7ford Diesel Alternator Wiring Dia Introduction**

Free PDF Books and Manuals for Download: Unlocking Knowledge at Your Fingertips In today's fast-paced digital age, obtaining valuable knowledge has become easier than ever. Thanks to the internet, a vast array of books and manuals are now available for free download in PDF format. Whether you are a student, professional, or simply an avid reader, this treasure trove of downloadable resources offers a wealth of information, conveniently accessible anytime, anywhere. The advent of online libraries and platforms dedicated to sharing knowledge has revolutionized the way we consume information. No longer confined to physical libraries or bookstores, readers can now access an extensive collection of digital books and manuals with just a few clicks. These resources, available in PDF, Microsoft Word, and PowerPoint formats, cater to a wide range of interests, including literature, technology, science, history, and much more. One notable platform where you can explore and download free F7ford Diesel Alternator Wiring Dia PDF books and manuals is the internet's largest free library. Hosted online, this catalog compiles a vast assortment of documents, making it a veritable goldmine of knowledge. With its easy-to-use website interface and customizable PDF generator, this platform offers a user-friendly experience, allowing individuals to effortlessly navigate and access the information they seek. The availability of free PDF books and manuals on this platform demonstrates its commitment to democratizing education and empowering individuals with the tools needed to succeed in their chosen fields. It allows anyone, regardless of their background or financial limitations, to expand their horizons and gain insights from experts in various disciplines. One of the most significant advantages of downloading PDF books and manuals lies in their portability. Unlike physical copies, digital books can be stored and carried on a single device, such as a tablet or smartphone, saving valuable space and weight. This convenience makes it possible for readers to have their entire library at their fingertips, whether they are commuting, traveling, or simply enjoying a lazy afternoon at home. Additionally, digital files are easily searchable, enabling readers to locate specific information within seconds. With a few keystrokes, users can search for keywords, topics, or phrases, making research and finding relevant information a breeze. This efficiency saves time and effort, streamlining the learning process and allowing individuals to focus on extracting the information they need. Furthermore, the availability of free PDF books and manuals fosters a culture of continuous learning. By removing financial barriers, more people can access educational resources and pursue lifelong learning, contributing to

personal growth and professional development. This democratization of knowledge promotes intellectual curiosity and empowers individuals to become lifelong learners, promoting progress and innovation in various fields. It is worth noting that while accessing free F7ford Diesel Alternator Wiring Dia PDF books and manuals is convenient and cost-effective, it is vital to respect copyright laws and intellectual property rights. Platforms offering free downloads often operate within legal boundaries, ensuring that the materials they provide are either in the public domain or authorized for distribution. By adhering to copyright laws, users can enjoy the benefits of free access to knowledge while supporting the authors and publishers who make these resources available. In conclusion, the availability of F7ford Diesel Alternator Wiring Dia free PDF books and manuals for download has revolutionized the way we access and consume knowledge. With just a few clicks, individuals can explore a vast collection of resources across different disciplines, all free of charge. This accessibility empowers individuals to become lifelong learners, contributing to personal growth, professional development, and the advancement of society as a whole. So why not unlock a world of knowledge today? Start exploring the vast sea of free PDF books and manuals waiting to be discovered right at your fingertips.

### **FAQs About F7ford Diesel Alternator Wiring Dia Books**

How do I know which eBook platform is the best for me? Finding the best eBook platform depends on your reading preferences and device compatibility. Research different platforms, read user reviews, and explore their features before making a choice. Are free eBooks of good quality? Yes, many reputable platforms offer high-quality free eBooks, including classics and public domain works. However, make sure to verify the source to ensure the eBook credibility. Can I read eBooks without an eReader? Absolutely! Most eBook platforms offer web-based readers or mobile apps that allow you to read eBooks on your computer, tablet, or smartphone. How do I avoid digital eye strain while reading eBooks? To prevent digital eye strain, take regular breaks, adjust the font size and background color, and ensure proper lighting while reading eBooks. What the advantage of interactive eBooks? Interactive eBooks incorporate multimedia elements, quizzes, and activities, enhancing the reader engagement and providing a more immersive learning experience. F7ford Diesel Alternator Wiring Dia is one of the best book in our library for free trial. We provide copy of F7ford Diesel Alternator Wiring Dia in digital format, so the resources that you find are reliable. There are also many Ebooks of related with F7ford Diesel Alternator Wiring Dia. Where to download F7ford Diesel Alternator Wiring Dia online for free? Are you looking for F7ford Diesel Alternator Wiring Dia PDF? This is definitely going to save you time and cash in something you should think about.

**Find F7ford Diesel Alternator Wiring Dia :****hypnotism comes of age**

[i became a fly](#)

[i am not your victim anatomy of domestic violence](#)

[hybrid vehicle propulsion international series on advances in transport](#)

[hunters green](#)

[hyponatremia a medical dictionary bibliography and annotated research guide to internet references](#)

[i am the mother of sons](#)

[i can do it featuring jim hensons sesame street muppets](#)

[i am a pilot](#)

[hyper mental rampant reality 1950 2000 from salvador dali to jeff koons](#)

[hydraulic dredging](#)

[hungry years a narrative history of the great depression in america](#)

[huntleys shareholder 2005 25e](#)

**hydraulic structures a text handbook**

[husband in time a](#)

**F7ford Diesel Alternator Wiring Dia :**

[free nccco mobile crane practice test total equipment training - Jun 13 2023](#)

web start your crew s on site training total equipment training offers nccco mobile crane certification training materials and mobile crane test prep resources for both the written and practical exams we also provide training on site using your equipment which your operators are familiar with

**nccer crane practice test rc spectrallabs com - Apr 30 2022**

web 4 nccer crane practice test 2021 10 20 with practice questions with complete answer explanations that walk the learner through the process of working out every one of the math problems posed this workbook is essential for students who need to brush up on their math skills construction scheduling learning express ny this exceptionally

[nccer introduction to basic rigging flashcards quizlet - Mar 10 2023](#)

web nccer introduction to basic rigging flashcards quizlet nccer introduction to basic rigging 4 5 2 reviews during a rigging operation if an emergency happens who has the authority to give the emergency stop hand signal click the card to flip



anyone on the ground who is in sight of the crane operator click the card to flip 1 53 flashcards

*mobile crane operator nccer* - Dec 27 2021

web nccer developed a mobile crane operator certification program which meets or exceeds current asme b30 standards and osha regulations assessments were developed following strict professional testing

**download our free nccco practice test crane tech** - Dec 07 2022

web we offer a turn key service for nccco training and testing we will handle all paperwork processing training and testing for one low fee call today and find out how easy nccco certification can be with crane tech service

**nccer crane practice test pdf pqr uiaf gov co** - Jul 02 2022

web success next to the statement as well as sharpness of this nccer crane practice test can be taken as well as picked to act mechanical comprehension tests richard anthony mcmunn 2012 06 mechanical comprehension tests are used widely during technical selection tests within the careers sector mechanical comprehension and reasoning

**mobile crane operations nccer** - Apr 11 2023

web this comprehensive mobile crane operations curriculum prepares learners for a career as skilled professionals as mobile crane operators this three level curriculum places strong emphasis on safe work practices while covering rigging crane operations telescopic and lattice boom assembly and disassembly load dynamics lift planning and more

**nccer crane certification** - Jan 28 2022

web the following link will direct you to nccer s website nccer org mobile crane operator certification general requirements demonstrate the ability to read write comprehend and exhibit mathematical skills in the language of the crane manufacturer s operations and maintenance instructional materials physical requirements

[nccco articulating crane operator practical exam](#) - Oct 05 2022

web practical exam the following is an outline of the practical testing procedure as provided to candidates at the time of testing there are two practical exams available under the cco articulating crane operator certification articulating boom

*nccer crane practice test copy dev identixweb* - Feb 26 2022

web mechanical comprehension tests crane or derrick suspended personnel platforms soft skills for workplace success contact your pearson nccer content sales specialist at paperback includes access code for instructor resource center 978 0 13 257109 8 testgen software and test questions available for download from

**nccco cco mobile crane operator practical exam** - Jan 08 2023

web available practical exams the cco mobile crane operator practical examinations are available on three crane types lattice boom crane lbc and lbt includes lattice boom crawler cranes and lattice boom truck cranes telescopic boom cranes fixed cab tss cranes having a fixed non rotating operator s station

**nccco mobile crane operator reference materials** - Jun 01 2022

web how to test practical exams cco exam fees find cco test locations how to locate upcoming exam administrations find computer based testing find paper pencil exam administrations find spanish language exams find open practical test sites practical examiners for hire

**nccco signalperson practical exam** - Aug 03 2022

web practical exam outline the following is an outline of the practical testing procedure as provided to candidates at the time of testing candidate information and instructions the signalperson practical examination consists of 30 scenarios there is no time limit for this examination

**nccco practice test cicb** - May 12 2023

web take our 15 question practice test to see if you could pass the nccco mobile crane operator exam train with cicb to boost your chances

**journey level assessments nccer** - Mar 30 2022

web nccer s journey level assessments provide experienced craft professionals who lack documented training the chance to earn formal recognition of the hard earned knowledge and skills they have acquired on the job

**nccco recertification and practice tests nationwide crane** - Jul 14 2023

web may 18 2022 nationwide crane training has accumulated a library of nccco practice tests for just about every type of crane around to start off we have five full core exams each of which is comprised of four subdomains site knowledge machine operation technical knowledge manufacturer s load charts

***nccco overhead crane operator practical exam*** - Sep 04 2022

web candidates are required to complete all phases of the test in sequence candidates must report to the test site at the scheduled time candidates are required to bring personal protective equipment to wear during the test including as a minimum hard hat work boots and suitable work clothing

**testing for nccer credentials nccer** - Feb 09 2023

web testing for nccer credentials in addition to testing and assignments in nccerconnect training programs accredited by nccer can provide testing for industry recognized credentials

***free nccco mobile crane operator practice test tet*** - Nov 06 2022

web total equipment training provides nccco mobile crane operator training materials and mobile crane operator test prep resources for both the written and practical exams we also provide on site mobile crane training using your equipment which your operators are

**mobile crane nccer study guide flashcards quizlet** - Aug 15 2023

web learn test match q chat beta created by dominique matrana terms in this set 56 when determining the gross load the best method is get an accurate load weight and add the rigging by order of strength which is correct basket vertical choker primary purpose for a roster sheave or auxiliary boom point sheave is to separate the hoist line

*chapter 1 cost estimation and budgeting engineering economics* - Oct 07 2022

web engineering economics chapter one 1 definition and scope of engineering economics 1 the engineering process the engineering

*engineering economics springerlink* - May 14 2023

web chapter 1 foundations of engineering economy t he need for engineering economy is primarily motivated by the work that engineers do in performing analysis synthesizing

**chapter 1 foundations of engineering economy academia edu** - Jun 03 2022

web sep 9 2018 the core question that in a nutshell describes the mission behind this approach was how the economy and production should be organized and this explains

**chapter 3 time value of money engineering economics** - Dec 09 2022

web the subject matter of this text is variously referred to as economic analysis engineering economy economic justification capital investment analysis or economic decision

**engineering economy ppt slideshare** - Jan 30 2022

web nov 11 2023 last modified date november 11 2023 engineering economics is the application of economic principles and calculations to engineering projects it is

*fundamentals t of engineering economics pearson* - Jul 16 2023

web 2 chapter 1 overview of engineering economics 1 comparing two or more cost alternatives such as different structural shapes civil engineering reactors chemical

*fundamentals of engineering economics cognella* - Feb 11 2023

web this chapter will help you 1 questions understand the types of questions engineering economy can answer 2 decision making determine the role of engineering economy

**econ 1 econ notes chapter 1 introduction to** - Apr 01 2022

web engineering economy attempts to identify the best economic approach to a given problem chapter 5 2 uob mechanical engineering department dr osama al jamal

**foundations of engineering economy** - Apr 13 2023

web engineers involved in construction and evaluation of a project should have a basic understanding of engineering economics for most of the large projects such as

**chapter an overview of engineering economic analysis wiley** - Nov 08 2022

web engineers regularly deal with projects whose scale complexity and uncertainty call for sophisticated approaches to planning and budgeting this chapter will give a basic

[engineering economics springerlink](#) - Mar 12 2023

web chapter 1 0 1 overview of engineering economy 1 1 what is engineering what is economy and 1 what is engineering economy example 1 0 start of technocrats of

**fundamentals of engineering economic analysis 2nd edition** - Aug 05 2022

web feb 21 2023 engineering economics is a branch of economics that deals with the uses and applications of several principles of economics related to engineering it is useful

*overview of engineering economics* - Jun 15 2023

web engineering economics is the application of economic techniques to the evaluation of design and engineering alternatives 1 the role of engineering economics is to

**engineering economics chapter 5 pdf engineering interest** - Feb 28 2022

web dec 27 2014 29 fundamental principles of engineering economics principle 1 a nearby penny is worth a distant dollar a fundamental concept in

*engineering economics springerlink* - May 02 2022

web chapter 1 introduction to engineering economics definition and basic principles engineering emphasized the economic aspects of engineering the

*engineering costs and production economics sciencedirect* - Nov 27 2021

[what is engineering economics with pictures smart capital](#) - Dec 29 2021

web april 1985 view all issues read the latest articles of engineering costs and production economics at sciencedirect com elsevier s leading platform of peer reviewed scholarly

**engineering economics open textbook university of** - Aug 17 2023

web 4 to appeal to the full range of engineering disciplines for which this course is often required industrial civil mechanical electrical computer aerospace chemical and

[chapter 1](#) - Sep 18 2023

web terminology importance of economics in engineering canadian perspectives and tax laws cash flows and cash flow diagrams chapter 1 cost estimation and budgeting

*engineering economics lecture notes fundamentals of* - Sep 06 2022

web clear topically organized chapters guide students from fundamental concepts of borrowing lending investing and time value of money to more complex topics such as

[engineering economics notes syllabus reference books and](#) - Jul 04 2022

web abstract engineering economics previously known as engineering economy is a subset of economics concerned with the use and application of economic principles in

*engineering economy learning objectives mcgraw hill* - Jan 10 2023

web the time value of money is a fundamental concept in engineering economics it forms the basis for project decision making and is taken into account every time financial decisions

[engineering economics lecture note ch1 ch6](#) - Oct 19 2023

web chapter 1 fundamentals of engineering economy general objective trainee will be able to understand the basic concepts and terminology necessary for engineering economy

[les fleurs de bach pour faire face aux séparations doctissimo](#) - Oct 05 2022

web le dosage des fleurs de bach est le même pour les enfants que pour les adultes 2 gouttes sont versées dans un verre d'eau plate peu minéralisée de jus de fruit ou dans

*equilibre émotionnel quelle fleur de bach proposer à* - Jan 08 2023

web aug 31 2020 les peurs de la rentrée les colères intempestives ou les difficultés à se concentrer les fleurs de bach peuvent aussi aider les plus jeunes à gérer leurs

**remède naturel enfant problèmes de sommeil les** - Aug 15 2023

alors qu'il faisait ses nuits de manière tout à fait normale désormais le moment du coucher est pénible vous avez beaucoup de mal à le mettre au lit et il se réveille souvent plusieurs fois par nuit il arrive parfois qu'il dorme mais qu'il soit tout de même fatigué au réveil see more

**fleurs de bach enfant quels sont les bienfaits intéressants** - Aug 03 2022

web soigner ses enfants avec les fleurs de bach somme le grand manuel des fleurs de bach apr 29 2020 les fleurs de bach sont des élixirs floraux réalisés à partir de

**soigner ses enfants avec les fleurs de bach** - Mar 10 2023

web mettez leur 2 gouttes dans leurs boissons 4 fois par jour et vous verrez des améliorations en quelques semaines les fleurs de bach sans alcool pour les enfants les enfants

*comment soigner les enfants avec les fleurs de bach* - Dec 07 2022

web aug 31 2020 le point avec nathalie auzeméry conseillère agréée en fleurs de bach et autrice de soigner ses enfants avec les fleurs de bach c'est peut-être le remède

[les fleurs de bach contre les chocs ou séquelle d un choc](#) - Sep 04 2022

web sep 16 2019 voici comment donner des fleurs de bach aux enfants conseils pour utiliser les fleurs de bach avec les bébés et les enfants mode sublingual 4 gouttes

[soigner ses enfants avec les fleurs de bach somme](#) - Apr 30 2022

web soigner ses enfants avec les fleurs de bach ment utiliser les fleurs pour sa sant et en cuisine soigner ses enfants avec les fleurs de bach par nathalie pdf

[soigner ses enfants avec les fleurs de bach somme pdf](#) - Mar 30 2022

web soigner ses enfants avec les fleurs de bach somme the cult of beauty in charles baudelaire feb 05 2020 the london journal of botany dec 05 2019 orné du

[soigner ses enfants avec les fleurs de bach somme](#) - Nov 25 2021

[comment donner des fleurs de bach aux enfants vive la](#) - Jun 01 2022

web jun 28 2023 of our books taking into account this one merely said the soigner ses enfants avec les fleurs de bach somme pdf is universally compatible similar to any

**les fleurs de bach et les enfants** - Feb 09 2023

web 18 00 ttc l ouvrage indispensable pour tous les parents ou les personnes qui accompagnent les enfants vers le mieux être sommeil peur du noir anxiété

**soigner ses enfants avec les fleurs de bach sommeil peur du** - Jan 28 2022

web bien par des adultes que pour des enfants et même pour soigner son animal de compagnie dans ce livre découvrez tous leurs bienfaits et utilisations les fiches

**quelles fleurs de bach pour gérer les émotions des enfants top** - Jul 14 2023

une fois la lumière éteinte les enfants peuvent manifester certaines peurs la peur du noir ou de la forme des objets qui semblent se transformer dans l obscurité see more

**soigner ses enfants avec les fleurs de bach somme pdf pdf** - Oct 25 2021

[soigner ses enfants avec les fleurs de bach somme pdf copy](#) - Feb 26 2022

web basé sur les travaux pionniers de mary d sheridan et sur des données scientifiques probantes cet ouvrage récemment mis à jour explique l acquisition croissante des

**soigner ses enfants avec les fleurs de bach decitre** - Nov 06 2022

web aider son enfant à mieux vivre ses émotions avec les fleurs de bach les fleurs de bach ont été créées par edward bach

dans les années 1920 1930 médecin chirurgien

les fleurs de bach pour l enfant conseils posologie et produits - Apr 11 2023

web aug 28 2018 voir tout peur du noir anxiété timidité cauchemars les fleurs de bach peuvent s avérer très efficaces chez les enfants en les aidant à apaiser et à rééquilibrer

**soigner ses enfants avec les fleurs de bach sommeil peur du** - Jun 13 2023

les frayeurs ou peurs nocturnes sont fréquentes chez l enfant il se réveille en pleine nuit et vous appelle il pleure jusqu à ce que vous veniez le voir ou encore il see more

*soigner ses enfants avec les fleurs de bach somme pdf* - Sep 23 2021

**fleurs de bach pour les enfants tuasmalou ch** - Jul 02 2022

web enfants de 0 à 12 ans et réagir avec plus de sérénité et d efficacité aux inévitables conflits de la vie familiale 50 idées astucieuses et pratiques avec des tests personnalisés et

*soigner ses enfants avec les fleurs de bach fnac* - May 12 2023

web soigner ses enfants avec les fleurs de bach sommeil peur du noir anxiété concentration de la naissance à l adolescence broché 28 août 2018 peur du noir

**soigner ses enfants avec les fleurs de bach somme** - Dec 27 2021

web jun 29 2023 fiches d identité des 38 fleurs de bach avec leurs caractéristiques leurs propriétés leur mode d emploi à chaque âge les bases pour fabriquer vos propres