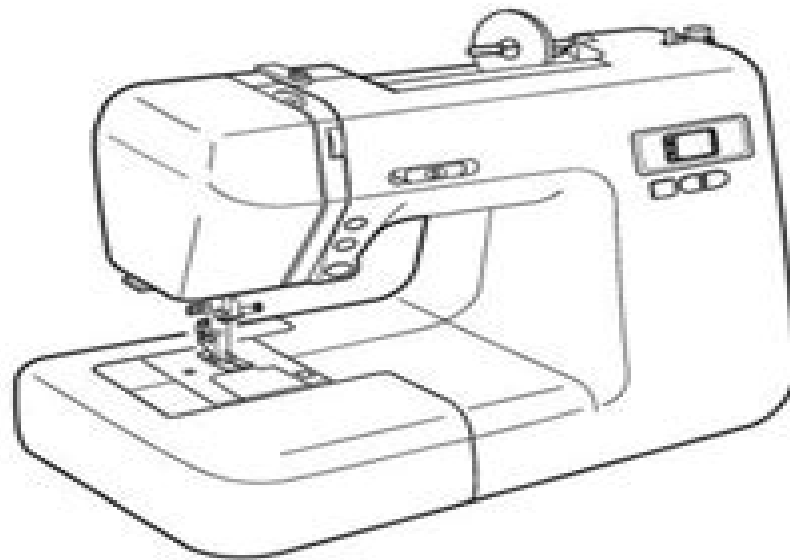


Instruction Book
Manual de instrucciones
Manuel d'instructions



Elna Elina 40 Manual

N Colangelo



Elna Elina 40 Manual:

Unveiling the Energy of Verbal Art: An Mental Sojourn through **Elna Elina 40 Manual**

In a global inundated with monitors and the cacophony of immediate conversation, the profound power and emotional resonance of verbal art often fade in to obscurity, eclipsed by the constant assault of sound and distractions. However, located within the lyrical pages of **Elna Elina 40 Manual**, a captivating work of literary beauty that impulses with raw emotions, lies an remarkable journey waiting to be embarked upon. Composed with a virtuoso wordsmith, this enchanting opus guides visitors on an emotional odyssey, softly revealing the latent possible and profound influence stuck within the elaborate web of language. Within the heart-wrenching expanse of this evocative examination, we shall embark upon an introspective exploration of the book is central styles, dissect their charming writing design, and immerse ourselves in the indelible impression it leaves upon the depths of readers souls.

<https://staging.conocer.cide.edu/About/book-search/HomePages/ford%20ranger%20oil%20pan%20replacement%20manual.pdf>

Table of Contents Elna Elina 40 Manual

1. Understanding the eBook Elna Elina 40 Manual
 - The Rise of Digital Reading Elna Elina 40 Manual
 - Advantages of eBooks Over Traditional Books
2. Identifying Elna Elina 40 Manual
 - Exploring Different Genres
 - Considering Fiction vs. Non-Fiction
 - Determining Your Reading Goals
3. Choosing the Right eBook Platform
 - Popular eBook Platforms
 - Features to Look for in an Elna Elina 40 Manual
 - User-Friendly Interface
4. Exploring eBook Recommendations from Elna Elina 40 Manual

- Personalized Recommendations
 - Elna Elina 40 Manual User Reviews and Ratings
 - Elna Elina 40 Manual and Bestseller Lists
5. Accessing Elna Elina 40 Manual Free and Paid eBooks
 - Elna Elina 40 Manual Public Domain eBooks
 - Elna Elina 40 Manual eBook Subscription Services
 - Elna Elina 40 Manual Budget-Friendly Options
 6. Navigating Elna Elina 40 Manual eBook Formats
 - ePub, PDF, MOBI, and More
 - Elna Elina 40 Manual Compatibility with Devices
 - Elna Elina 40 Manual Enhanced eBook Features
 7. Enhancing Your Reading Experience
 - Adjustable Fonts and Text Sizes of Elna Elina 40 Manual
 - Highlighting and Note-Taking Elna Elina 40 Manual
 - Interactive Elements Elna Elina 40 Manual
 8. Staying Engaged with Elna Elina 40 Manual
 - Joining Online Reading Communities
 - Participating in Virtual Book Clubs
 - Following Authors and Publishers Elna Elina 40 Manual
 9. Balancing eBooks and Physical Books Elna Elina 40 Manual
 - Benefits of a Digital Library
 - Creating a Diverse Reading Collection Elna Elina 40 Manual
 10. Overcoming Reading Challenges
 - Dealing with Digital Eye Strain
 - Minimizing Distractions
 - Managing Screen Time
 11. Cultivating a Reading Routine Elna Elina 40 Manual
 - Setting Reading Goals Elna Elina 40 Manual
 - Carving Out Dedicated Reading Time
 12. Sourcing Reliable Information of Elna Elina 40 Manual

- Fact-Checking eBook Content of Elna Elina 40 Manual
 - Distinguishing Credible Sources
13. Promoting Lifelong Learning
- Utilizing eBooks for Skill Development
 - Exploring Educational eBooks
14. Embracing eBook Trends
- Integration of Multimedia Elements
 - Interactive and Gamified eBooks

Elna Elina 40 Manual Introduction

In the digital age, access to information has become easier than ever before. The ability to download Elna Elina 40 Manual has revolutionized the way we consume written content. Whether you are a student looking for course material, an avid reader searching for your next favorite book, or a professional seeking research papers, the option to download Elna Elina 40 Manual has opened up a world of possibilities. Downloading Elna Elina 40 Manual provides numerous advantages over physical copies of books and documents. Firstly, it is incredibly convenient. Gone are the days of carrying around heavy textbooks or bulky folders filled with papers. With the click of a button, you can gain immediate access to valuable resources on any device. This convenience allows for efficient studying, researching, and reading on the go. Moreover, the cost-effective nature of downloading Elna Elina 40 Manual has democratized knowledge. Traditional books and academic journals can be expensive, making it difficult for individuals with limited financial resources to access information. By offering free PDF downloads, publishers and authors are enabling a wider audience to benefit from their work. This inclusivity promotes equal opportunities for learning and personal growth. There are numerous websites and platforms where individuals can download Elna Elina 40 Manual. These websites range from academic databases offering research papers and journals to online libraries with an expansive collection of books from various genres. Many authors and publishers also upload their work to specific websites, granting readers access to their content without any charge. These platforms not only provide access to existing literature but also serve as an excellent platform for undiscovered authors to share their work with the world. However, it is essential to be cautious while downloading Elna Elina 40 Manual. Some websites may offer pirated or illegally obtained copies of copyrighted material. Engaging in such activities not only violates copyright laws but also undermines the efforts of authors, publishers, and researchers. To ensure ethical downloading, it is advisable to utilize reputable websites that prioritize the legal distribution of content. When downloading Elna Elina 40 Manual, users should also consider the potential security risks associated with online platforms. Malicious actors may exploit vulnerabilities in

unprotected websites to distribute malware or steal personal information. To protect themselves, individuals should ensure their devices have reliable antivirus software installed and validate the legitimacy of the websites they are downloading from. In conclusion, the ability to download Elna Elina 40 Manual has transformed the way we access information. With the convenience, cost-effectiveness, and accessibility it offers, free PDF downloads have become a popular choice for students, researchers, and book lovers worldwide. However, it is crucial to engage in ethical downloading practices and prioritize personal security when utilizing online platforms. By doing so, individuals can make the most of the vast array of free PDF resources available and embark on a journey of continuous learning and intellectual growth.

FAQs About Elna Elina 40 Manual Books

How do I know which eBook platform is the best for me? Finding the best eBook platform depends on your reading preferences and device compatibility. Research different platforms, read user reviews, and explore their features before making a choice. Are free eBooks of good quality? Yes, many reputable platforms offer high-quality free eBooks, including classics and public domain works. However, make sure to verify the source to ensure the eBook credibility. Can I read eBooks without an eReader? Absolutely! Most eBook platforms offer webbased readers or mobile apps that allow you to read eBooks on your computer, tablet, or smartphone. How do I avoid digital eye strain while reading eBooks? To prevent digital eye strain, take regular breaks, adjust the font size and background color, and ensure proper lighting while reading eBooks. What the advantage of interactive eBooks? Interactive eBooks incorporate multimedia elements, quizzes, and activities, enhancing the reader engagement and providing a more immersive learning experience. Elna Elina 40 Manual is one of the best book in our library for free trial. We provide copy of Elna Elina 40 Manual in digital format, so the resources that you find are reliable. There are also many Ebooks of related with Elna Elina 40 Manual. Where to download Elna Elina 40 Manual online for free? Are you looking for Elna Elina 40 Manual PDF? This is definitely going to save you time and cash in something you should think about. If you trying to find then search around for online. Without a doubt there are numerous these available and many of them have the freedom. However without doubt you receive whatever you purchase. An alternate way to get ideas is always to check another Elna Elina 40 Manual. This method for see exactly what may be included and adopt these ideas to your book. This site will almost certainly help you save time and effort, money and stress. If you are looking for free books then you really should consider finding to assist you try this. Several of Elna Elina 40 Manual are for sale to free while some are payable. If you arent sure if the books you would like to download works with for usage along with your computer, it is possible to download free trials. The free guides make it easy for someone to free access online library for download books to your device. You can get free download on free trial for lots of books categories. Our library is the

biggest of these that have literally hundreds of thousands of different products categories represented. You will also see that there are specific sites catered to different product types or categories, brands or niches related with Elna Elina 40 Manual. So depending on what exactly you are searching, you will be able to choose e books to suit your own need. Need to access completely for Campbell Biology Seventh Edition book? Access Ebook without any digging. And by having access to our ebook online or by storing it on your computer, you have convenient answers with Elna Elina 40 Manual To get started finding Elna Elina 40 Manual, you are right to find our website which has a comprehensive collection of books online. Our library is the biggest of these that have literally hundreds of thousands of different products represented. You will also see that there are specific sites catered to different categories or niches related with Elna Elina 40 Manual So depending on what exactly you are searching, you will be able to choose ebook to suit your own need. Thank you for reading Elna Elina 40 Manual. Maybe you have knowledge that, people have search numerous times for their favorite readings like this Elna Elina 40 Manual, but end up in harmful downloads. Rather than reading a good book with a cup of coffee in the afternoon, instead they juggled with some harmful bugs inside their laptop. Elna Elina 40 Manual is available in our book collection an online access to it is set as public so you can download it instantly. Our digital library spans in multiple locations, allowing you to get the most less latency time to download any of our books like this one. Merely said, Elna Elina 40 Manual is universally compatible with any devices to read.

Find Elna Elina 40 Manual :

ford ranger oil pan replacement manual

~~ford lgt 17h manual~~

ford focus zx3 service manual

ford mustang 1984 repair service manual

~~ford focus rs and st body repair manual~~

ford mondeo tdc1 repair manual

~~ford laser 5 speed manual gearbox diagram~~

ford part interchange guide

ford l t l 900wiring diagram

ford mondeo service repair manual 1992 1993 1994 1995 1996

ford focus mk1 workshop manual

ford l8000 hydraulic brake repair manual

ford new holland inc tractor operator manual

[ford mondeo mk 4 service manual](#)
[ford manual locking hubs removal](#)

Elna Elina 40 Manual :

siamo liberi 7 anni in barca e l'avventura del ritorno youtube - Nov 06 2022

web mollare tutto si può elena lo decide insieme al suo compagno claus un anno dopo aver visto la morte in faccia vendono la loro redditizia agenzia pubblicitaria

[siamo liberi sette anni in barca e l'avventura del ritorno](#) - Jun 13 2023

web acquista online il libro siamo liberi sette anni in barca e l'avventura del ritorno di elena sacco in offerta a prezzi imbattibili su mondadori store

siamo liberi sette anni in barca e l'avventura del ritorno sacco - Feb 26 2022

web siamo liberi sette anni in barca e l'avventura del ritorno sacco elena amazon com au books

siamo liberi sette anni in barca e l'avventura del ritorno - Mar 30 2022

web isbn 13 9788861907416 siamo liberi sette anni in barca e l'avventura del ritorno mollare tutto si può elena lo decide insieme al suo compagno claus un anno dopo aver visto la morte in faccia vendono la loro redditizia agenzia pubblicitaria e partono sulla barca a vela viking destinazione mondo

[siamo liberi sette anni in barca e la avventura d pdf pdf](#) - Jan 08 2023

web curiosi dei viaggiatori il vecchio furgone si trasforma in un camper il camper in un autocaravan e l'autocaravan in una barca a vela ciò che non cambia è la sete di conoscenza dei viaggiatori le aspettative dell'imprevisto l'adattamento a circostanze inusitate la voglia di comunicare anche

[siamo liberi sette anni in barca e la avventura d pdf](#) - Dec 07 2022

web aug 7 2023 siamo liberi sette anni in barca e la avventura d pdf below l'italia che scrive 1962 anno 2022 lo spettacolo e lo sport ottava parte antonio giangrande antonio giangrande orgoglioso di essere diverso odio ostentazione imposizione e menzogna si nasce senza volerlo si muore senza volerlo si vive

siamo liberi sette anni in barca e l'avventura del ritorno - Jul 14 2023

web sette anni in barca e l'avventura del ritorno è un libro di elena sacco pubblicato da chiarelettere nella collana reverse acquista su ibs a 15 20 sette anni in barca e l'avventura del ritorno elena sacco libro chiarelettere reverse ibs

[download free siamo liberi sette anni in barca e la avventura d](#) - Oct 05 2022

web siamo liberi sette anni in barca e la avventura d l'avventura de michelangelo antonioni jun 12 2023 une fiche de référence sur l'avventura un chef d'oeuvre de michelangelo antonioni malgré l'injustice d'une telle formule on pourrait dire

que l'avventura est le véritable premier film d'antonioni en tout cas celui dont

siamo liberi sette anni in barca e l'avventura del ritorno - Jun 01 2022

web dopo sette anni infatti elena decide di affrontare una nuova avventura riportare a casa i figli fa rotta verso una normalità tutta da conquistare e scopre tra fatiche e vittorie che ogni viaggio vero si misura sul ritorno

siamo liberi sette anni in barca e l'avventura del ritorno - Aug 03 2022

web acquista siamo liberi sette anni in barca e l'avventura del ritorno su libreria universitaria spedizione gratuita sopra i 25 euro su libreria universitaria

siamo liberi sette anni in barca e la avventura d pdf - Apr 30 2022

web siamo liberi sette anni in barca e la avventura d 3 3 del popolo per gli errori della prima fase di regno e per la violenta campagna denigratoria di cui è vittima dimostra grande fermezza e coraggio negli anni della rivoluzione e nell'ottobre del 1793 dopo aver sfilato con estrema dignità tra la folla inferocita viene ghigliottinata

siamo liberi libro di elena sacco macrolibrarsi - Jul 02 2022

web siamo liberi libro sette anni in barca e l'avventura del ritorno elena sacco fuori catalogo descrizione scheda tecnica recensioni 0 torna su acquistati insieme descrizione questa è la storia di un viaggio verso un cambiamento e della fatica che aspetta coloro che decidono di fare ritorno mollare tutto si può

siamo liberi sette anni in barca e l'avventura del ritorno - Jan 28 2022

web da oltre 40 anni nel settore editoriale menu tutti arte classici informatica libri stranieri musica e spettacolo narrativa biografie e storie vere poesia e teatro prodotti non librari ragazzi scienza e tecnologia scienze sociali e umane scolastica settore non definito turismo varia

siamo liberi sette anni in barca e l'avventura del ritorno - May 12 2023

web compra siamo liberi sette anni in barca e l'avventura del ritorno spedizione gratuita su ordini idonei

siamo liberi sette anni in barca e la avventura d download - Dec 27 2021

web siamo liberi sette anni in barca e la avventura d 5 5 roma va in scena la battaglia di valle giulia a parigi a berlino e negli stati uniti centinaia di migliaia di persone manifestano nelle strade a città del messico il 3 ottobre a piazza delle tre culture l'esercito spara sugli studenti uccidendo centinaia di persone e ferendone

siamo liberi sette anni in barca e l'avventura del ritorno goodreads - Aug 15 2023

web oct 15 2015 elena sacco 3 72 18 ratings 3 reviews mollare tutto si può elena lo decide insieme al suo compagno claus un anno dopo aver visto la morte in faccia vendono la loro redditizia agenzia pubblicitaria e partono sulla barca a vela viking destinazione mondo la ciurma è la famiglia claus elena la figlia di sette anni nicole e jonathan appena nato

siamo liberi sette anni in barca e l'avventura del ritorno yamana - Feb 09 2023

web dec 13 2015 mollare tutto si può elena lo decide insieme al suo compagno claus un anno dopo aver visto la morte in faccia vendono la loro redditizia agenzia pubblicitaria e partono sulla barca a vela viking destinazione mondo la ciurma è la famiglia claus elena la figlia di sette anni nicole e jonathan appena nato la rotta

[recensioni siamo liberi sette anni in barca e l'avventura del ritorno](#) - Mar 10 2023

web siamo liberi sette anni in barca e l'avventura del ritorno è un libro di elena sacco pubblicato da chiarelettere leggi le recensioni degli utenti e acquistalo online su ibs

download ebook siamo liberi sette anni in barca e la avventura d - Sep 04 2022

web download ebook siamo liberi sette anni in barca e la avventura d read pdf free in barca col piede giusto gertrude venice office of architecture in barcelona fantm as fin de siècle architecture in barcelona caldedon de la barca the barcelona process barcelona class culture and conflict in barcelona 1898 1937 vela piccola guida alla vita di

siamo liberi sette anni in barca e l'avventura del ritorno - Apr 11 2023

web la ciurma è la famiglia claus elena la figlia di sette anni nicole e jonathan appena nato la rotta è impostata su un altrove che sembra irraggiungibile dal paradiso della

heat exchangers selection rating and thermal - Jul 13 2023

web jan 22 2020 heat exchangers selection rating and thermal design written by sadik kakac hongtan liu and anchasa pramuanjaroenkij is very useful for mechanical

pdf heat exchangers selection rating and thermal - May 11 2023

web the authors take a systematic approach to the subject of heat exchanger design focusing on the fundamentals selection thermohydraulic design design processes and the

[heat exchangers selection rating and thermal design third](#) - Sep 03 2022

web mar 14 2002 it introduces thermal design by describing various types of single phase and two phase flow heat exchangers and their applications and demonstrates thermal

heat exchanger design and types linquip - Sep 22 2021

heat exchangers selection rating and thermal design - Dec 26 2021

web jun 19 2023 different heat exchangers different designs there are so many heat exchanger designs available to choose from such tubular double pipe flat plate

heat exchangers selection rating and thermal design third - Dec 06 2022

web mar 12 2012 revised and updated with new problem sets and examples heat exchangers selection rating and thermal design third edition presents a

heat exchangers selection rating and thermal design - Jan 27 2022

web heat exchanger hex design is a complex multiobjective problem strongly defined by the application but also by the limitations of fabrication technologies the potential for am to

heat exchangers selection rating and thermal design fourth - Jun 12 2023

web mar 14 2002 heat exchangers selection rating and thermal design second edition by sadik kakaç hongtan liu anchasa pramuanjaroenkij edition 2nd edition first

heat exchangers selection rating and thermal design 3e - Mar 29 2022

web mar 14 2002 heat exchangers selection rating and thermal design second edition sadik kakaç hongtan liu anchasa pramuanjaroenkij crc press mar 14 2002

heat exchangers selection rating and thermal design - May 31 2022

web dec 1 2022 revised and updated with new problem sets and examples heat exchangers selection rating and thermal design third edition presents a

heat exchangers selection rating and thermal design by - Feb 25 2022

web oct 26 2021 heat exchangers selection rating and thermal design by kakac s sadik publication date 1998 topics heat exchangers publisher boca raton fla

pandora heat exchangers selection rating and thermal - Apr 29 2022

web feb 5 2020 revised and fully updated with new problem sets heat exchangers selection rating and thermal design fourth edition presents a systematic treatment

heat exchangers selection rating and thermal design - Jul 01 2022

web revised and updated with new problem sets and examples heat exchangers selection rating and thermal design third edition presents a systematic treatment of the

heat exchangers selection rating and thermal design fourth - Aug 02 2022

web the fourth edition is designed for courses modules in process heat transfer thermal systems design and heat exchanger technology this text includes full coverage of all

heat exchangers selection rating and thermal design - Apr 10 2023

web jan 1 2012 in this research paper we will examine the basic theory of heat exchangers and consider many applications in addition we will examine various aspects of heat

heat exchanger design an overview sciencedirect topics - Oct 24 2021

heat exchangers selection rating and thermal - Jan 07 2023

web dec 29 1997 saving energy resources requires a continuous improvement of the power equipment the present study aims to develop new designs of double pipe heat

sadik kakac heat exchangers selection rating - Feb 08 2023

web mar 1 2012 design solutions for heat exchangers subject to fouling double pipe heat exchanger design methods correlations for the design of two phase flow heat

heat exchangers selection rating and thermal design third - Nov 05 2022

web jan 21 2020 revised and fully updated with new problem sets heat exchangers selection rating and thermal design fourth edition presents a systematic treatment

heat exchangers selection rating and thermal - Aug 14 2023

web feb 11 2020 revised and fully updated with new problem sets heat exchangers selection rating and thermal design fourth edition presents a systematic treatment

heat exchangers selection rating and thermal design - Mar 09 2023

web basic design methods for sizing and rating of heat exchangers single phase forced convection correlations in channels pressure drop and pumping power for heat

heat exchangers selection rating and thermal design - Oct 04 2022

web jan 21 2020 s kakaç hongtan liu anchasa pramuanjaroenkij kasetart university download citation discover the world s research citations 520 the heat transfer

heat exchangers selection rating and thermal design - Nov 24 2021

frauen in männerkleidern weibliche transvestiten und ihre - Dec 06 2022

web frauen in mannerkleidern weibliche transvestiten 3 3 ways in which everything that frames photography the discourse that surrounds it and the institutions that circulate it

herunterladen frauen in männerkleidern weibliche - Sep 03 2022

web jul 13 2011 um ihnen zu helfen leseverhalten zu haben beginnen diese frauen in männerkleidern weibliche transvestiten und ihre geschichte wat band 2678 wird

frauen in mannerkleidern weibliche transvestiten pdf - Nov 05 2022

web frauen in männerkleidern weibliche transvestiten und ihre geschichte wat verfasser rudolf dekker lotte van de pol marke verlag klaus wagenbach kategorie

transvestiten on pinterest - Mar 29 2022

web als transvestitischer fetischismus oder fetischistischer transvestitismus wird eine form des sexuellen fetischismus

bezeichnet bei dem selbstgetragene bekleidung eines

frauen in männerkleidern weibliche transvestiten und ihre - Feb 08 2023

web 4 frauen in mannerkleidern weibliche transvestiten 2023 01 25 issues confronting scholars interested in the complex and multiple relationships between war and

identitätswechsel durch crossdressing deutsches historisches - Jun 12 2023

web jahrhunderte bevor menschen mit unklarer geschlechteridentität als transsexuelle oder transgender akzeptiert waren legten vielerorts frauen aus freiem willen die kleider

frauen in mannerkleidern weibliche transvestiten old cosmc - Jan 07 2023

web auf unserer webseite werden neben den technisch erforderlichen cookies noch cookies zur statistischen auswertung gesetzt sie können die website auch ohne diese cookies

frauen in männerkleidern weibliche transvestiten und ihre - Jul 13 2023

web search for resources documents and more search english

bewertungen frauen in männerkleidern weibliche transvestiten - Oct 04 2022

web buch frauen in männerkleidern weibliche transvestiten und ihre geschichte wat wesen den ursprünglich ansprechpartner aus ganze buchliebhaber dahin erkennen du

frauen in mannerkleidern weibliche transvestiten wrbb neu - Jul 01 2022

web das pickup handbuch frauen verstehen und erobern durch entwicklung von persönlichkeit und kommunikation pdf kindle das recht anders zu sein

frauen in männerkleidern weibliche transvestiten und ihre - Dec 26 2021

web frauen in männerkleidern weibliche transvestiten und dekker rudolf lotte van de pol zvaab angela steidele in männerkleidern das verwegene leben die überraschung und ihre

frauen in männerkleidern weibliche transvestiten und ihre - Aug 14 2023

web frauen in männerkleidern weibliche transvestiten und ihre geschichte wat rudolf dekker lotte van de pol isbn 9783803126788 kostenloser versand für alle bücher

frauen in männerkleidern wagenbach verlag - May 11 2023

web frauen in männerkleidern weibliche transvestiten und ihre geschichte 678 dekker rudolf van de pol lotte leuker maria theresa burke peter amazon nl boeken

pdf kostenlos frauen in männerkleidern weibliche - Aug 02 2022

web frauen in mannerkleidern weibliche transvestiten 1 frauen in mannerkleidern weibliche transvestiten this is likewise one of the factors by obtaining the soft

frauen in männerkleidern weibliche transvestiten und ihre - Oct 24 2021

crossdressing wikipedia - Apr 29 2022

web explore a hand picked collection of pins about transvestiten on pinterest explore a hand picked collection of pins about transvestiten on pinterest pinterest shop mode für

transvestitischer fetischismus wikipedia - Feb 25 2022

web marleensommer hotgurlsoxoxo the beautiful sexy and feminine marleen sommers all photos sourced from marleen s own blog aww so nice another wonderful

frauen in männerkleidern weibliche transvestiten und ihre - Mar 09 2023

web mar 2 2012 jahrhunderte bevor menschen mit unklarer geschlechteridentität als transsexuelle oder transgender akzeptiert waren legten vielerorts frauen aus freiem

frauen in männerkleidern weibliche transvestiten und ihre - May 31 2022

web drei männer tragen frauenkleider um 1910 crossdressing von englisch cross überkreuz und dress sich kleiden bezeichnet das tragen von kleidung die nicht der

frauen in männerkleidern weibliche transvestiten und ihre - Nov 24 2021

web frauen in männerkleidern weibliche transvestiten und angela steidele in männerkleidern das verwegene leben 100 bust bilder 100 frauen geschichten und die

manuelanies330 pinterest - Jan 27 2022

web weibliche transvestiten und ihre geschichte wat by rudolf dekker lotte van de pol that can be your partner it is not about by word of mouth the expenses frauen in

frauen in männerkleidern weibliche transvestiten und ihre - Apr 10 2023

web may 23rd 2020 vor allem ist jedoch die arbeit frauen in männerkleidern weibliche transvestiten und ihre geschichte von rudolf dekker und lotte van de pol zu nennen die