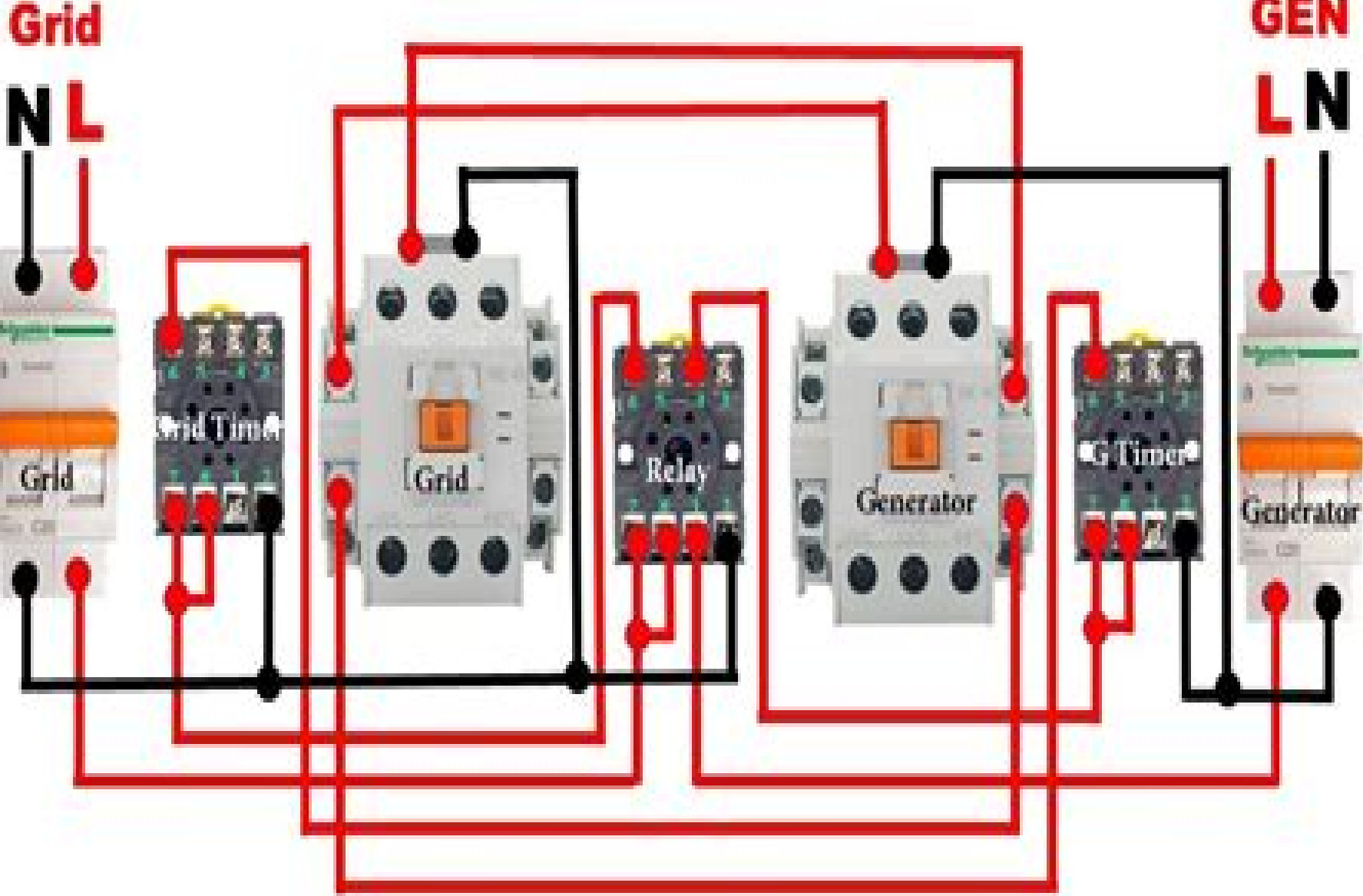


Automatic Transfer Switch (ATS)



Motorized Changeover Switch Diagram Diagram Of Automatic

Huangqi Zhang



Motorized Changeover Switch Diagram Diagram Of Automatic:

Reviewing **Motorized Changeover Switch Diagram Diagram Of Automatic**: Unlocking the Spellbinding Force of Linguistics

In a fast-paced world fueled by information and interconnectivity, the spellbinding force of linguistics has acquired newfound prominence. Its capacity to evoke emotions, stimulate contemplation, and stimulate metamorphosis is truly astonishing. Within the pages of "**Motorized Changeover Switch Diagram Diagram Of Automatic**," an enthralling opus penned by a highly acclaimed wordsmith, readers attempt an immersive expedition to unravel the intricate significance of language and its indelible imprint on our lives. Throughout this assessment, we shall delve to the book is central motifs, appraise its distinctive narrative style, and gauge its overarching influence on the minds of its readers.

<https://staging.conocer.cide.edu/data/detail/index.jsp/Msi%20K7n2%20Motherboard%20Manual.pdf>

Table of Contents Motorized Changeover Switch Diagram Diagram Of Automatic

1. Understanding the eBook Motorized Changeover Switch Diagram Diagram Of Automatic
 - The Rise of Digital Reading Motorized Changeover Switch Diagram Diagram Of Automatic
 - Advantages of eBooks Over Traditional Books
2. Identifying Motorized Changeover Switch Diagram Diagram Of Automatic
 - Exploring Different Genres
 - Considering Fiction vs. Non-Fiction
 - Determining Your Reading Goals
3. Choosing the Right eBook Platform
 - Popular eBook Platforms
 - Features to Look for in an Motorized Changeover Switch Diagram Diagram Of Automatic
 - User-Friendly Interface
4. Exploring eBook Recommendations from Motorized Changeover Switch Diagram Diagram Of Automatic
 - Personalized Recommendations
 - Motorized Changeover Switch Diagram Diagram Of Automatic User Reviews and Ratings

Motorized Changeover Switch Diagram Diagram Of Automatic

- Motorized Changeover Switch Diagram Diagram Of Automatic and Bestseller Lists
- 5. Accessing Motorized Changeover Switch Diagram Diagram Of Automatic Free and Paid eBooks
 - Motorized Changeover Switch Diagram Diagram Of Automatic Public Domain eBooks
 - Motorized Changeover Switch Diagram Diagram Of Automatic eBook Subscription Services
 - Motorized Changeover Switch Diagram Diagram Of Automatic Budget-Friendly Options
- 6. Navigating Motorized Changeover Switch Diagram Diagram Of Automatic eBook Formats
 - ePub, PDF, MOBI, and More
 - Motorized Changeover Switch Diagram Diagram Of Automatic Compatibility with Devices
 - Motorized Changeover Switch Diagram Diagram Of Automatic Enhanced eBook Features
- 7. Enhancing Your Reading Experience
 - Adjustable Fonts and Text Sizes of Motorized Changeover Switch Diagram Diagram Of Automatic
 - Highlighting and Note-Taking Motorized Changeover Switch Diagram Diagram Of Automatic
 - Interactive Elements Motorized Changeover Switch Diagram Diagram Of Automatic
- 8. Staying Engaged with Motorized Changeover Switch Diagram Diagram Of Automatic
 - Joining Online Reading Communities
 - Participating in Virtual Book Clubs
 - Following Authors and Publishers Motorized Changeover Switch Diagram Diagram Of Automatic
- 9. Balancing eBooks and Physical Books Motorized Changeover Switch Diagram Diagram Of Automatic
 - Benefits of a Digital Library
 - Creating a Diverse Reading Collection Motorized Changeover Switch Diagram Diagram Of Automatic
- 10. Overcoming Reading Challenges
 - Dealing with Digital Eye Strain
 - Minimizing Distractions
 - Managing Screen Time
- 11. Cultivating a Reading Routine Motorized Changeover Switch Diagram Diagram Of Automatic
 - Setting Reading Goals Motorized Changeover Switch Diagram Diagram Of Automatic
 - Carving Out Dedicated Reading Time
- 12. Sourcing Reliable Information of Motorized Changeover Switch Diagram Diagram Of Automatic
 - Fact-Checking eBook Content of Motorized Changeover Switch Diagram Diagram Of Automatic
 - Distinguishing Credible Sources

13. Promoting Lifelong Learning
 - Utilizing eBooks for Skill Development
 - Exploring Educational eBooks
14. Embracing eBook Trends
 - Integration of Multimedia Elements
 - Interactive and Gamified eBooks

Motorized Changeover Switch Diagram Diagram Of Automatic Introduction

Free PDF Books and Manuals for Download: Unlocking Knowledge at Your Fingertips In today's fast-paced digital age, obtaining valuable knowledge has become easier than ever. Thanks to the internet, a vast array of books and manuals are now available for free download in PDF format. Whether you are a student, professional, or simply an avid reader, this treasure trove of downloadable resources offers a wealth of information, conveniently accessible anytime, anywhere. The advent of online libraries and platforms dedicated to sharing knowledge has revolutionized the way we consume information. No longer confined to physical libraries or bookstores, readers can now access an extensive collection of digital books and manuals with just a few clicks. These resources, available in PDF, Microsoft Word, and PowerPoint formats, cater to a wide range of interests, including literature, technology, science, history, and much more. One notable platform where you can explore and download free Motorized Changeover Switch Diagram Diagram Of Automatic PDF books and manuals is the internet's largest free library. Hosted online, this catalog compiles a vast assortment of documents, making it a veritable goldmine of knowledge. With its easy-to-use website interface and customizable PDF generator, this platform offers a user-friendly experience, allowing individuals to effortlessly navigate and access the information they seek. The availability of free PDF books and manuals on this platform demonstrates its commitment to democratizing education and empowering individuals with the tools needed to succeed in their chosen fields. It allows anyone, regardless of their background or financial limitations, to expand their horizons and gain insights from experts in various disciplines. One of the most significant advantages of downloading PDF books and manuals lies in their portability. Unlike physical copies, digital books can be stored and carried on a single device, such as a tablet or smartphone, saving valuable space and weight. This convenience makes it possible for readers to have their entire library at their fingertips, whether they are commuting, traveling, or simply enjoying a lazy afternoon at home. Additionally, digital files are easily searchable, enabling readers to locate specific information within seconds. With a few keystrokes, users can search for keywords, topics, or phrases, making research and finding relevant information a breeze. This efficiency saves time and effort, streamlining the learning process and allowing individuals to focus on extracting the information they need. Furthermore, the availability of free PDF books

Motorized Changeover Switch Diagram Diagram Of Automatic

and manuals fosters a culture of continuous learning. By removing financial barriers, more people can access educational resources and pursue lifelong learning, contributing to personal growth and professional development. This democratization of knowledge promotes intellectual curiosity and empowers individuals to become lifelong learners, promoting progress and innovation in various fields. It is worth noting that while accessing free Motorized Changeover Switch Diagram Diagram Of Automatic PDF books and manuals is convenient and cost-effective, it is vital to respect copyright laws and intellectual property rights. Platforms offering free downloads often operate within legal boundaries, ensuring that the materials they provide are either in the public domain or authorized for distribution. By adhering to copyright laws, users can enjoy the benefits of free access to knowledge while supporting the authors and publishers who make these resources available. In conclusion, the availability of Motorized Changeover Switch Diagram Diagram Of Automatic free PDF books and manuals for download has revolutionized the way we access and consume knowledge. With just a few clicks, individuals can explore a vast collection of resources across different disciplines, all free of charge. This accessibility empowers individuals to become lifelong learners, contributing to personal growth, professional development, and the advancement of society as a whole. So why not unlock a world of knowledge today? Start exploring the vast sea of free PDF books and manuals waiting to be discovered right at your fingertips.

FAQs About Motorized Changeover Switch Diagram Diagram Of Automatic Books

How do I know which eBook platform is the best for me? Finding the best eBook platform depends on your reading preferences and device compatibility. Research different platforms, read user reviews, and explore their features before making a choice. Are free eBooks of good quality? Yes, many reputable platforms offer high-quality free eBooks, including classics and public domain works. However, make sure to verify the source to ensure the eBook credibility. Can I read eBooks without an eReader? Absolutely! Most eBook platforms offer web-based readers or mobile apps that allow you to read eBooks on your computer, tablet, or smartphone. How do I avoid digital eye strain while reading eBooks? To prevent digital eye strain, take regular breaks, adjust the font size and background color, and ensure proper lighting while reading eBooks. What the advantage of interactive eBooks? Interactive eBooks incorporate multimedia elements, quizzes, and activities, enhancing the reader engagement and providing a more immersive learning experience. Motorized Changeover Switch Diagram Diagram Of Automatic is one of the best book in our library for free trial. We provide copy of Motorized Changeover Switch Diagram Diagram Of Automatic in digital format, so the resources that you find are reliable. There are also many Ebooks of related with Motorized Changeover Switch Diagram Diagram Of Automatic. Where to download Motorized Changeover Switch Diagram Diagram Of Automatic online for free? Are you looking for Motorized Changeover Switch

Diagram Diagram Of Automatic PDF? This is definitely going to save you time and cash in something you should think about.

Find Motorized Changeover Switch Diagram Diagram Of Automatic :

msi k7n2 motherboard manual

multilith 1250 repair

msi 945pl neo5 owners manual

mullard data book 1968

mstahiki meya guide

mt rainier meadow report

msce physical science paper 1 for 2015

multiple choice questions on thermochemistry

mta car inspector study guide

ms word user manual 2010

ms ulrich s algebra 1

msi ms 7184 manual

multinational financial management instructors manual

mtx thunder amp manual

multiple choice questions on soil

Motorized Changeover Switch Diagram Diagram Of Automatic :

top 5 libri di anatomia artistica 5libri net - Jan 16 2023

jun 1 2021 questo articolo presenta una selezione dei migliori libri di anatomia artistica 1 anatomia artistica carnet di morfologia michel lauricella disponibile su amazon una raccolta di disegni d anatomia artistica suddivisa in cinque parti testa collo torso arto superiore arto inferiore e vedute d insieme che presenta il corpo da molteplici punti di vista

conoscere l anatomia artistica approfondimento anatomico del - Mar 06 2022

sep 8 2023 conoscere l anatomia artistica approfondimento anatomico del volto umano by ubaldo schiavone nozioni d arte appunti di storia dell arte moderna atlante di anatomia adriana rigutti libro giunti art city bologna 23 24 25 gennaio 2015 art city in gran segreto teatro anatomico della biblioteca

conoscere l anatomia artistica approfondimento an download - Sep 24 2023

Motorized Changeover Switch Diagram Diagram Of Automatic

conoscere l'anatomia artistica approfondimento an title conoscere l'anatomia artistica approfondimento an download only interactivearchivist archivists org subject conoscere l'anatomia artistica approfondimento an download only created date 10 12 2023 7 44 25 pm

[conoscere l'anatomia artistica approfondimento an](#) - Feb 17 2023

conoscere l'anatomia artistica approfondimento an l'insegnamento dell'anatomia artistica aug 08 2022 anatomia artistica feb 14 2023 list s of books and pamphlets in the national art library jun 13 2020 l'anatomia deipittori del signore carlo cesio das ist deutliche anweisung und gründliche vorstellung von der anatomie der

[conoscere l'anatomia artistica approfondimento an pdf](#) - Jun 09 2022

2 conoscere l'anatomia artistica approfondimento an 2020 11 18 leonardo s anatomical studies actually set themselves as an ideal meeting point between artistic and scientific interests because the study of the functioning of the body was essential for artistic practice in order to achieve the correct representation of the human figure for

conoscere l'anatomia artistica approfondimento anatomico del - Jun 21 2023

conoscere l'anatomia artistica approfondimento anatomico del volto umano ebook schiavone ubaldo amazon it libri

conoscere l'anatomia artistica approfondimento anatomico del - Sep 12 2022

aug 28 2023 conoscere l'anatomia artistica approfondimento anatomico del volto umano by ubaldo schiavone accademia di belle arti di firenze anatomia artistica download conoscere lanatomia artistica approfondimento approfondimento 1 cenni di storia dell'anatomia umana da pedagogia e didattica dell'arte accademia di belle arti febbraio

[conoscere l'anatomia artistica approfondimento an download](#) - May 08 2022

conoscere l'anatomia artistica approfondimento an dizionario letterario bompiani delle opere e dei personaggi di tutti i tempi e di tutte le letterature movimenti spirituali opere a b anatomy and drawing quentin tarantino human anatomy the fundamentals of drawing anatomy of the voice catalogo dei libri in commercio il teatro dei corpi

conoscere l'anatomia artistica approfondimento an pdf - Feb 05 2022

jul 28 2023 conoscere l'anatomia artistica approfondimento an 2 7 downloaded from uniport edu ng on july 28 2023 by guest rivisteria 2000 drawing anatomy barrington barber 2017 06 13 the ability to draw the human figure well is the sign of a good artist so it is vital to appreciate the body s characteristics and how they influence posture and expression

conoscere l'anatomia artistica approfondimento an - Aug 23 2023

4 conoscere l'anatomia artistica approfondimento an 2023 08 15 olschki si raccolgono qui la maggior parte dei contributi presentati in occasione di un incontro su arte e critica in italia nella prima metà del novecento tenuto nel maggio del 2006 presso il dipartimento di storia delle arti e dello spettacolo dell'università di firenze gli

[le regole dell'anatomia artistica come rappresentare il corpo](#) - Mar 18 2023

aug 12 2021 1 all inizio c è sempre un rettangolo guarda il tuo soggetto e immagina che ci sia un rettangolo con i lati tangenti alla sua forma prendi nota del rapporto tra base ed altezza a occhio o usando la matita per misurare ora inizia disegnando sul tuo foglio un rettangolo proporzionale a quello che hai osservato

[conoscere l'anatomia artistica approfondimento an book wp](#) - Oct 13 2022

conoscere l'anatomia artistica approfondimento an the enigmatic realm of conoscere l'anatomia artistica approfondimento an unleashing the language is inner magic in a fast paced digital era where connections and knowledge intertwine the enigmatic realm of language reveals its inherent magic

conoscere l'anatomia artistica approfondimento an download - May 20 2023

anatomia artistica approfondimento an a interesting work of fictional beauty that pulses with natural emotions lies an remarkable journey waiting to be embarked upon published with a virtuoso

conoscere l'anatomia artistica pdf pdf scribd - Apr 19 2023

con questo ebook cerco di affrontare questa materia ritenuta ostica da molti facendo fronte ad un approccio più semplice e meno scientifico perché è necessario tenere presente che un aspirante disegnatore o artista vuole imparare l'anatomia artistica per uno scopo estetico evitando inutili funzionalità anatomiche che hanno

conoscere l'anatomia artistica approfondimento an copy - Jul 10 2022

anatomie scapigliate the flavor thesaurus l'italia che scrive the fundamentals of drawing animal anatomy for artists giovanni battista volpato le tecniche dell'arte contemporanea le pratiche del video introduzione conoscere l'anatomia artistica approfondimento an downloaded from clr imymac com by guest liu cameron

manuale di anatomia artistica conoscere e disegnare il corpo - Dec 15 2022

l'ho comprato perchè le recensioni precedenti erano a 5 stelle ma devo dire che le ho interpretate male e ho commesso un grande errore di valutazione infatti su quasi 200 pagine di cui è composto il libro solo qualche riga è dedicata a consigli pratici su come disegnare e tra l'altro questi consigli sono così tecnici che sicuramente sono rivolti a chi sa già disegnare

[conoscere l'anatomia artistica approfondimento an full pdf](#) - Jul 22 2023

conoscere l'anatomia artistica approfondimento an alberto biasi ediz multilingue jul 01 2021 libert di cultura jun 19 2020 per far rinascere la cultura e la ricerca in italia occorre un cambiamento radicale che dia centralità alla persona e alle libere comunità che nascono nei territori

conoscere l'anatomia artistica approfondimento an 2023 - Apr 07 2022

conoscere l'anatomia artistica approfondimento an pdf dev 2 conoscere l'anatomia artistica approfondimento an 2021 03 21 the study of the functioning of the body was essential for artistic practice in order to achieve the correct representation of the human figure for leonardo the artistic practice was determined by an inexhaustible desire

conoscere l anatomia artistica approfondimento an pdf pdf - Aug 11 2022

conoscere l anatomia artistica approfondimento an pdf upload donald n robertson 1 3 downloaded from voto uncal edu br on september 16 2023 by donald n robertson within the pages of conoscere l anatomia artistica approfondimento an pdf a mesmerizing literary creation penned by way of a celebrated wordsmith readers embark on an [conoscere l anatomia artistica approfondimento an download](#) - Nov 14 2022

4 conoscere l anatomia artistica approfondimento an 2023 01 02 anatomy and physiology in a highly visual format select clinical notes feature dynamic layouts that integrate text with visuals for easy reading clinical cases relate clinical stories that integrate text with patient photos and diagnostic images for applied learning time saving

essential mathematics nns 8 answers bing book - Dec 06 2022

web essential mathematics nns 8 answers bing book dev awesomedoodle com subject essential mathematics nns 8 answers bing book created date 10 18 2023 5 37 26

essential mathematics nns 7 answers orientation sutd edu sg - Jul 01 2022

web essential mathematics nns 8 answers neodeo de essential mathematics nns 8 answers bing neodeo de essential mathematics nns 8 answers bing boxion de

essential questions for 8th grade math by the illustrated - Feb 25 2022

web description essential questions for 8th grade math easily post your essential questions with these color coded essential questions cards the cards are color coded by domain

essential maths 8h answers esource svb com - Apr 29 2022

web 4 essential maths 8h answers 2022 02 03 instantly from multiple locations including library office home or wherever essential mathematics nns 8 answers

essential mathematics nns 8 answers bing 2023 pivotid uvu - May 31 2022

web essential mathematics nns 8 answers bing essential mathematics nns 8 answers bing 3 downloaded from pivotid uvu edu on 2020 05 19 by guest and explains how to

essential mathematics nns 8 answers bing pdf - Aug 14 2023

web unveiling the magic of words a review of essential mathematics nns 8 answers bing in a world defined by information and interconnectivity the enchanting power of words

[essential mathematics nns 8 answers bing pdf uniport edu](#) - Mar 29 2022

web thank you entirely much for downloading essential mathematics nns 8 answers bing most likely you have knowledge that people have look numerous time for their

free essential mathematics nns 8 answers - May 11 2023

Motorized Changeover Switch Diagram Diagram Of Automatic

web essential mathematics nns 8 answers mathematical difficulties jun 12 2020 this book examines the mathematical difficulties in typical and atypical populations it discusses

[essential mathematics nns 8 answers bing pdf uniport edu](#) - Jan 27 2022

web essential mathematics nns 8 answers bing 2 12 downloaded from uniport edu ng on may 28 2023 by guest the necessary background information for working with the arabic

essential maths 0001902214854 amazon com books - Feb 08 2023

web part of essential maths 21 books see all formats and editions paperback 13 48 6 used from 2 50 12 new from 7 82 language

[essential mathematics nns 8 answers pdf uniport edu](#) - Jul 13 2023

web aug 23 2023 essential mathematics nns 8 answers 3 13 downloaded from uniport edu ng on august 23 2023 by guest qualified teachers mental computation and

essential mathematics nns 8 answers bing trainwithpst - Mar 09 2023

web essential mathematics nns 8 answers bing pdf download what are the answers to essential mathematics book 9 essential mathematics book 8 answers by david

essential mathematics nns 8 answers bing pdf uniport edu - Oct 04 2022

web essential mathematics nns 8 answers bing 1 12 downloaded from uniport edu ng on may 3 2023 by guest essential mathematics nns 8 answers bing as recognized

[essential mathematics nns 8 answers bing 2023](#) - Aug 02 2022

web oct 19 2023 essential mathematics nns 8 answers bing deep learning based approaches for sentiment analysis basant agarwal 2020 01 24 this book covers deep

[essential mathematics nns 8 answers bing download only](#) - Apr 10 2023

web oct 29 2023 essential mathematics nns 8 answers essential maths skills answers hodder education essential mathematics answers book 8 by david rayner

essential mathematics book 8 answers by david rayner - Sep 15 2023

web may 1 2001 10 minutes a day problem solving ages 7 9 key stage 2 buy essential mathematics book 8 answers by david rayner from waterstones today click and

essential mathematics nns 8 answers pdf uniport edu - Nov 24 2021

web apr 5 2023 essential mathematics nns 8 answers 2 13 downloaded from uniport edu ng on april 5 2023 by guest for thought and inspiration for practice for

essential math kindergarten set books a and b amazon com - Dec 26 2021

Motorized Changeover Switch Diagram Diagram Of Automatic

web essential math kindergarten set books a and b 4 8 out of 5 stars 278 paperback 33 48 33 48 lowest price in this set of products kindergarten math workbook

essential mathematics for the australian curriculum year 8 - Jun 12 2023

web exercise 1b 1 find the result for the following a the product of 7 and 8 b the product of 13 and 100 c the remainder when 2 is divided into 19 d the remainder when 9 is divided

essential mathematics nns 8 answers bing 2022 - Sep 03 2022

web 2 essential mathematics nns 8 answers bing 2021 06 25 essential mathematics nns 8 answers bing downloaded from reports budgetbakers com by guest jada acevedo

essential maths book 8h answers soup io pdf free download - Oct 16 2023

web essential maths book 8h answers access to worthwhile books instantly from multiple locations including library office home or wherever essential mathematics nns

essential mathematics nns 8 answers bing copy - Nov 05 2022

web 2 essential mathematics nns 8 answers bing 2023 01 29 escalate the uk centre for education in he at the graduate school of education university of bristol uk henry

essential mathematics nns 8 answers pdf optimize i95dev - Jan 07 2023

web essential mathematics nns 8 answers make your own neural network tariq rashid 2016 this book is for anyone who wants to understand what neural network s are it s for

top sample letter explaining bad grades freeeducator com - Aug 01 2023

web mar 11 2021 9 what to include waiver letter explaining low gpa scores here two or three things that should be referenced capabilities set by the school framework encounters or abilities to demonstrate you have mastery in the field without expecting to send the gpa scores edit your paper

how to explain a low gpa in mba application in bemo - Jan 26 2023

web may 30 2023 how to explain a low gpa in mba during an interview if you have a low gpa and are invited to an interview this means that the admissions committee most likely does not mind your lower grades this means that you must learn how to prepare for your mba interview and get ready to answer some of the most common mba interview

sample letter explaining low gpa with helpful tips and hints - Apr 28 2023

web why you need sample letter explaining low gpa if you re wondering how to explain low gpa to graduate school and you need personal statement help then this sample page is exactly for you as your personal statement could be the last document allowing you to reanimate your chances for success

how to explain low gpa in personal statement with examples - Oct 03 2023

web sample personal statement that explains a low gpa credentials like grade point average gpa and standardized tests like the gre and gmat only tell about your aptitude or academic excellence in contrast the personal statement gives insights into your mind

letter explaining low undergraduate gpa admission essay sample - Aug 21 2022

web feb 3 2022 the purpose of the letter is explaining why my undergraduate gpa was low and what experience i have gained that will help me excel in data science program reason for my low undergraduate gpa i had to work multiple jobs to support myself and achieve my educational goal experience i have gained since then that will help me excel in the

how to explain a low gpa in a cover letter career trend - Dec 25 2022

web sep 26 2017 lower grades in courses required to fulfill basic degree requirements may bring down your gpa but those grades are less important than the grades that related to your major for example your grades in philosophy and gym class could be ds but if you received as and bs in your engineering classes stress this fact on your cover letter

low gpa explanation 261 words studymode - Sep 02 2023

web low gpa explanation to school this letter is written as an explanation for my low gpa since it does not adequately reflect either my work or ability and desire to continue my education

5 steps to write a letter explaining your low gpa enter the pa - May 30 2023

web jul 13 2022 here is one such example of a school requesting a written letter explaining your low gpa north greenville university s gpa requirements there are many other programs that will consider your last 30 45 or 60 credit hours some schools will require a petition letter some will not

how to explain low gpa to graduate school - May 18 2022

web review a low gpa essay example reading a good essay explaining a low gpa is one way to learn how to write your own you can t copy the essay but you can get ideas on how to approach writing your own paper our waiver letter writing services provides low gpa essay examples and waiver request letter samples that you can use as a writing guide

how to explain low gpa in personal statement with examples - Apr 16 2022

web an very commonly asked question has how must one explain to low gpa inbound the sop according talha omer mba m eng harvard cornell gradual in personal statement tips advice the statement of purpose sop also known sample personalities statement that explains a blue gpa

how to get accepted into college with a low gpa u s news - Sep 21 2022

web jan 27 2021 how to get accepted into college with a low gpa students with a low gpa may want to consider community college or alternative admissions programs experts recommend students with poor grades on

how to explain a low gpa 2023 financial advisor career - Nov 23 2022

Motorized Changeover Switch Diagram Diagram Of Automatic

web apr 5 2023 how to explain a low gpa 2023 by career employer updated apr 5 2023 table of contents as a college or high school student your grade point average gpa is one of the most important metrics by which a potential employer can go off of *how to explain your low gpa to grad schools the admit lab* - Mar 16 2022

web mar 13 2023 if your gpa is 3.3 and the schools you're applying to usually accept students with an average gpa of 3.7 or higher then it's likely that your academic record isn't as impressive as they'd like it to be it might be a good idea for you to learn how to explain a low gpa to grad schools

how to explain low gpa in personal statement with examples - Mar 28 2023

web the statement of purpose sop also known as which personal statement allows you to give a deep insight into your ambitions and impulses to pursue a particular course at a university bonus article sample personal statement such explaining a shallow gpa

how to explain low gpa to graduate school collegelearners - Feb 12 2022

web aug 12 2023 our waiver letter writing services provides low gpa essay examples and waiver request letter samples that you can use as a writing guide getting into a good university program is a compilation of many different things and anything that can tilt things slightly in your favor helps

explaining low gpa essay sample 7 poor gpa waiver tips waiver letter - Feb 24 2023

web use a sample letter explaining low gpa as a guide to help you write yours tips on how to write an essay explaining a low gpa the first thing to understand is your essay is not a magic bullet that will miraculously solve all of your grade point average problems

how to explain low gpa in personal statement with examples - Jun 18 2022

web personal statement makes visions into their ghost a very customized asked question is how should one explain your low gpa in the source

should you discuss a low gpa in your admissions essay - Oct 23 2022

web apr 3 2017 seek guidance before you discuss your gpa within your graduate admissions essay seek the advice of a professor or two do they think it's a good idea what do they think of your explanation take their advice seriously even if it is not what you hoped to hear

writing a recommendation letter for student with low gpa - Jul 20 2022

web feb 25 2021 i would say a low gpa in this case is indicative of a failure of grades to measure learning not really any fundamental flaw in the student themselves other than an intolerance for work they do not find meaningful if that can be considered a flaw

how to explain low gpa in personal statement with examples - Jun 30 2023

Motorized Changeover Switch Diagram Diagram Of Automatic

web sample personal statement that explains a low gpa my like grade spot average gpa and systematic tests likes the gro
both gmat only tell about your capability or intellectual excellence in contrast the personal statement gives insights into your
mind