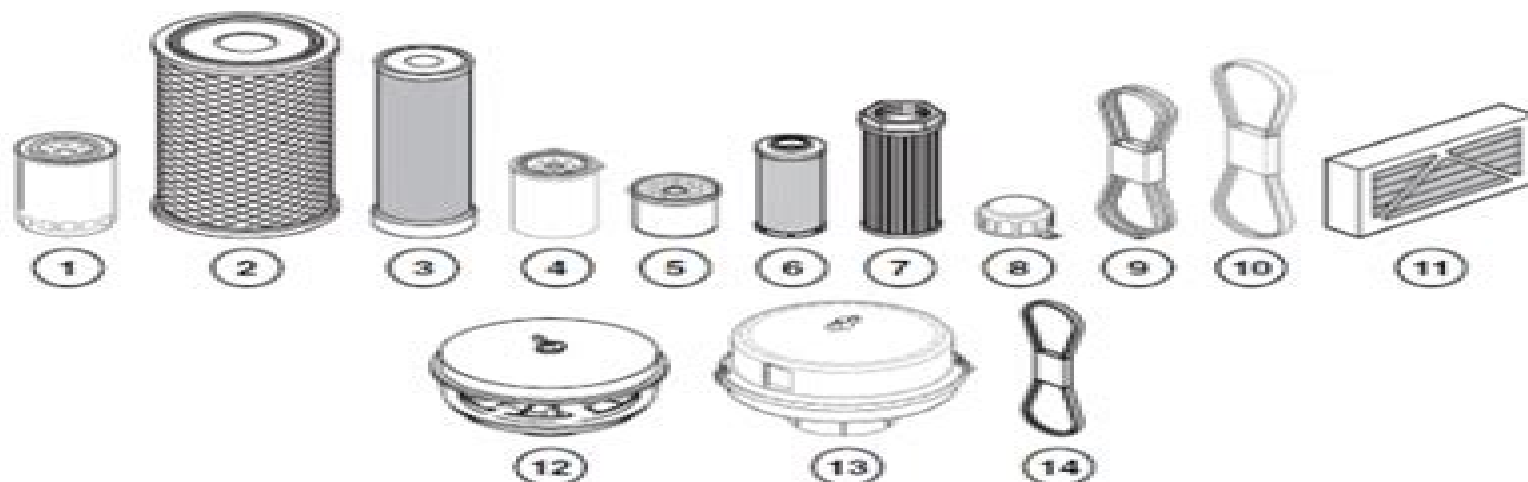


FILTERS CARTRIDGES AND BELTS

MT 732/932 Série A
MT 732 Turbo Série A



DESIGNATION	PART NUMBER	CLEAN	CHANGE
1 - Engine oil filter MT 732/932 Série A MT 732 Turbo Série A	133755 476954		500 H 500 H
2 - Dry air filter cartridge	563416	50 H *	500 H *
3 - Safety dry air filter cartridge	563415		1000 H *
4 - Transmission oil filter	561749		500 H
5 - Fuel filter cartridge	49660		500 H
6 - Hydraulic return oil filter cartridge Up to machine Nr : 166040 From machine Nr : 166044	563483 (20µ) 236095 (15µ)		500 H 500 H
7 - Suction strainer for hydraulic oil tank	224726	1000 H	
8 - Filter cap for hydraulic oil tank	62415		1000 H
9 - Alternator belt	563270		
10 - Fan belt Up to machine Nr : 169427 From machine Nr : 169428	229300 238795		
11 - Cab ventilation filter (Without air conditioning)	225052	500 H	
11 - Cab ventilation filter (With air conditioning)	225052	50 H	250 H
12 - Cyclonic pre-filter (36 series from machine Nr : 173893)	224713	10 H	
13 - Automatic vacuum-cleaning pre-filter (OPTION)	226611		
14 - Compressor belt (OPTION AIR CONDITIONING)	503965		

* : This periodicity is given for information only (See chapter : SERVICING SCHEDULE in paragraph : 9 - MAINTENANCE) for cleaning and changing.

Manitou Mlt 730 Manual

Lauren Gardner



Manitou Mlt 730 Manual:

State of Colorado Mobile Equipment Manual ,2006 **Mushroom News** ,2009 *John Deere Shop Manual 520 530 620 630 720 + Penton Staff,2000-05-24 Models 520 530 620 630 720 730* *John Deere Model 730 Tractor Condensed Technical Service Repair Shop Manual* ,1959-01-15 **Ford Series 730 Loader** ,1950 **John Deere 730 Diesel Tractor Parts Manual** ,1965-05-15 *John Deere 730 Gasoline and Propane Tractor Parts Manual* ,1965-10-15 **TD 730/TD830 System** Burroughs Corporation,1977 *John Deere Model 730 Diesel Tractor Condensed Technical Service Repair Shop Manual* ,1959-01-15 *John Deere Shop Manual* Intertec Publishing Corporation. Technical Publications Division,1959

John Deere Shop Manual ,1959 *J.I. Case Shop Manual I & T Shop Service*,1969 *Massey Ferguson Shop Manual Models MF230 MF 235 MF240 + Penton Staff,2000-05-24 Gas Models MF230 MF235 MF245 Diesel Models MF230 MF235 MF240 MF245 MF250* **John Deere Shop Manual 670 770 870 970&1070** Penton Staff,2000-05-24 Diesel Models 670 770 870 970 1070 **John Deere Shop Manual JD-201 (I & T Shop Service)** Penton Staff,2000-05-24 Diesel Models 80 420 430 435D 440 Serial No 448000 prior 440ID 720 730 820 2 3 cyl 830 2 3 cyl Gasoline Models 40 320 330 420 430 440 Serial No 448001 up **Operator's Manuals, Loaders, 720-730 Series** Ford Motor Company,Birmingham (Mich.),1961

John Deere Shop Manual: Models 50 60 & 70 Editors of Haynes Manuals,1956-06-01 With a Haynes manual you can do it yourself from simple maintenance to basic repairs Haynes writes every book based on a complete teardown of the vehicle where we learn the best ways to do a job and that makes it quicker easier and cheaper for you Haynes books have clear instructions and hundreds of photographs that show each step Whether you are a beginner or a pro you can save big with a Haynes manual This manual features complete coverage for your John Deere Tractor Models 50 60 and 70 covering Routine maintenance Tune up procedures Engine repair Cooling and heating Air conditioning Fuel and exhaust Emissions control Ignition brakes Suspension and steering Electrical systems and Wiring diagrams **John Deere 830 Tractor Parts Manual** ,1961-03-15

Yeah, reviewing a ebook **Manitou Mlt 730 Manual** could increase your close contacts listings. This is just one of the solutions for you to be successful. As understood, triumph does not suggest that you have fantastic points.

Comprehending as with ease as accord even more than extra will give each success. bordering to, the notice as capably as keenness of this Manitou Mlt 730 Manual can be taken as skillfully as picked to act.

https://staging.conocer.cide.edu/results/publication/Download_PDFS/junior%20assistant%20exam%20paper.pdf

Table of Contents Manitou Mlt 730 Manual

1. Understanding the eBook Manitou Mlt 730 Manual
 - The Rise of Digital Reading Manitou Mlt 730 Manual
 - Advantages of eBooks Over Traditional Books
2. Identifying Manitou Mlt 730 Manual
 - Exploring Different Genres
 - Considering Fiction vs. Non-Fiction
 - Determining Your Reading Goals
3. Choosing the Right eBook Platform
 - Popular eBook Platforms
 - Features to Look for in an Manitou Mlt 730 Manual
 - User-Friendly Interface
4. Exploring eBook Recommendations from Manitou Mlt 730 Manual
 - Personalized Recommendations
 - Manitou Mlt 730 Manual User Reviews and Ratings
 - Manitou Mlt 730 Manual and Bestseller Lists
5. Accessing Manitou Mlt 730 Manual Free and Paid eBooks
 - Manitou Mlt 730 Manual Public Domain eBooks
 - Manitou Mlt 730 Manual eBook Subscription Services

- Manitou Mlt 730 Manual Budget-Friendly Options
- 6. Navigating Manitou Mlt 730 Manual eBook Formats
 - ePub, PDF, MOBI, and More
 - Manitou Mlt 730 Manual Compatibility with Devices
 - Manitou Mlt 730 Manual Enhanced eBook Features
- 7. Enhancing Your Reading Experience
 - Adjustable Fonts and Text Sizes of Manitou Mlt 730 Manual
 - Highlighting and Note-Taking Manitou Mlt 730 Manual
 - Interactive Elements Manitou Mlt 730 Manual
- 8. Staying Engaged with Manitou Mlt 730 Manual
 - Joining Online Reading Communities
 - Participating in Virtual Book Clubs
 - Following Authors and Publishers Manitou Mlt 730 Manual
- 9. Balancing eBooks and Physical Books Manitou Mlt 730 Manual
 - Benefits of a Digital Library
 - Creating a Diverse Reading Collection Manitou Mlt 730 Manual
- 10. Overcoming Reading Challenges
 - Dealing with Digital Eye Strain
 - Minimizing Distractions
 - Managing Screen Time
- 11. Cultivating a Reading Routine Manitou Mlt 730 Manual
 - Setting Reading Goals Manitou Mlt 730 Manual
 - Carving Out Dedicated Reading Time
- 12. Sourcing Reliable Information of Manitou Mlt 730 Manual
 - Fact-Checking eBook Content of Manitou Mlt 730 Manual
 - Distinguishing Credible Sources
- 13. Promoting Lifelong Learning
 - Utilizing eBooks for Skill Development
 - Exploring Educational eBooks
- 14. Embracing eBook Trends

- Integration of Multimedia Elements
- Interactive and Gamified eBooks

Manitou Mlt 730 Manual Introduction

Free PDF Books and Manuals for Download: Unlocking Knowledge at Your Fingertips In today's fast-paced digital age, obtaining valuable knowledge has become easier than ever. Thanks to the internet, a vast array of books and manuals are now available for free download in PDF format. Whether you are a student, professional, or simply an avid reader, this treasure trove of downloadable resources offers a wealth of information, conveniently accessible anytime, anywhere. The advent of online libraries and platforms dedicated to sharing knowledge has revolutionized the way we consume information. No longer confined to physical libraries or bookstores, readers can now access an extensive collection of digital books and manuals with just a few clicks. These resources, available in PDF, Microsoft Word, and PowerPoint formats, cater to a wide range of interests, including literature, technology, science, history, and much more. One notable platform where you can explore and download free Manitou Mlt 730 Manual PDF books and manuals is the internet's largest free library. Hosted online, this catalog compiles a vast assortment of documents, making it a veritable goldmine of knowledge. With its easy-to-use website interface and customizable PDF generator, this platform offers a user-friendly experience, allowing individuals to effortlessly navigate and access the information they seek. The availability of free PDF books and manuals on this platform demonstrates its commitment to democratizing education and empowering individuals with the tools needed to succeed in their chosen fields. It allows anyone, regardless of their background or financial limitations, to expand their horizons and gain insights from experts in various disciplines. One of the most significant advantages of downloading PDF books and manuals lies in their portability. Unlike physical copies, digital books can be stored and carried on a single device, such as a tablet or smartphone, saving valuable space and weight. This convenience makes it possible for readers to have their entire library at their fingertips, whether they are commuting, traveling, or simply enjoying a lazy afternoon at home. Additionally, digital files are easily searchable, enabling readers to locate specific information within seconds. With a few keystrokes, users can search for keywords, topics, or phrases, making research and finding relevant information a breeze. This efficiency saves time and effort, streamlining the learning process and allowing individuals to focus on extracting the information they need. Furthermore, the availability of free PDF books and manuals fosters a culture of continuous learning. By removing financial barriers, more people can access educational resources and pursue lifelong learning, contributing to personal growth and professional development. This democratization of knowledge promotes intellectual curiosity and empowers individuals to become lifelong learners, promoting progress and innovation in various fields. It is worth noting that while accessing free Manitou Mlt 730 Manual PDF books and manuals is convenient and cost-effective, it is vital to respect

copyright laws and intellectual property rights. Platforms offering free downloads often operate within legal boundaries, ensuring that the materials they provide are either in the public domain or authorized for distribution. By adhering to copyright laws, users can enjoy the benefits of free access to knowledge while supporting the authors and publishers who make these resources available. In conclusion, the availability of Manitou Mlt 730 Manual free PDF books and manuals for download has revolutionized the way we access and consume knowledge. With just a few clicks, individuals can explore a vast collection of resources across different disciplines, all free of charge. This accessibility empowers individuals to become lifelong learners, contributing to personal growth, professional development, and the advancement of society as a whole. So why not unlock a world of knowledge today? Start exploring the vast sea of free PDF books and manuals waiting to be discovered right at your fingertips.

FAQs About Manitou Mlt 730 Manual Books

What is a Manitou Mlt 730 Manual PDF? A PDF (Portable Document Format) is a file format developed by Adobe that preserves the layout and formatting of a document, regardless of the software, hardware, or operating system used to view or print it. **How do I create a Manitou Mlt 730 Manual PDF?** There are several ways to create a PDF: Use software like Adobe Acrobat, Microsoft Word, or Google Docs, which often have built-in PDF creation tools. Print to PDF: Many applications and operating systems have a "Print to PDF" option that allows you to save a document as a PDF file instead of printing it on paper. Online converters: There are various online tools that can convert different file types to PDF. **How do I edit a Manitou Mlt 730 Manual PDF?** Editing a PDF can be done with software like Adobe Acrobat, which allows direct editing of text, images, and other elements within the PDF. Some free tools, like PDFescape or Smallpdf, also offer basic editing capabilities. **How do I convert a Manitou Mlt 730 Manual PDF to another file format?** There are multiple ways to convert a PDF to another format: Use online converters like Smallpdf, Zamzar, or Adobe Acrobats export feature to convert PDFs to formats like Word, Excel, JPEG, etc. Software like Adobe Acrobat, Microsoft Word, or other PDF editors may have options to export or save PDFs in different formats. **How do I password-protect a Manitou Mlt 730 Manual PDF?** Most PDF editing software allows you to add password protection. In Adobe Acrobat, for instance, you can go to "File" -> "Properties" -> "Security" to set a password to restrict access or editing capabilities. Are there any free alternatives to Adobe Acrobat for working with PDFs? Yes, there are many free alternatives for working with PDFs, such as: LibreOffice: Offers PDF editing features. PDFsam: Allows splitting, merging, and editing PDFs. Foxit Reader: Provides basic PDF viewing and editing capabilities. How do I compress a PDF file? You can use online tools like Smallpdf, ILovePDF, or desktop software like Adobe Acrobat to compress PDF files without significant quality loss. Compression reduces the file size, making it easier to

share and download. Can I fill out forms in a PDF file? Yes, most PDF viewers/editors like Adobe Acrobat, Preview (on Mac), or various online tools allow you to fill out forms in PDF files by selecting text fields and entering information. Are there any restrictions when working with PDFs? Some PDFs might have restrictions set by their creator, such as password protection, editing restrictions, or print restrictions. Breaking these restrictions might require specific software or tools, which may or may not be legal depending on the circumstances and local laws.

Find Manitou Mlt 730 Manual :

[junior assistant exam paper](#)

june paper 2 isizulu grade 12 2014

june exam paper 2 2014 for grade 1geography

junior scholastic october 27 2014 cross word answers

~~jvc everio gz mg155u instruction manual~~

~~just one taste english edition~~

jvc gz mg77u user guide

june 2014 v 21 0580

[jurnal filozofic constantin noica](#)

june physical science paper 1 memorandum

[just like fate cat patrick](#)

jvc kd s37 manual

junior scholastic crossword puzzle october 27 2014

~~jvc digital camera instruction manual~~

junior scholastic answers for april 28 2014

Manitou Mlt 730 Manual :

ca file master plus ispf user guide manualzz - Oct 14 2021

web ca file master plus is primarily a data editor as opposed to a source or text editor like the ibm ispf editor special features are available that make it easier to edit data that is in

ca file master plus manual peatix - Dec 16 2021

web 3840 xk uhd iso auto range auto and manual mode ca file master plus manual iso 100 x 1080 full hd 1280 x 720 hd iso

auto range auto and manual mode iso

file master plus broadcom inc - Jun 02 2023

web speed test file editing and data creation in enabling mainframe continuous testing

file master plus 12 0 ca file master plus batch reference - Apr 19 2022

web use file master plus data management tools to manage mvcs and ims mainframe product sentences and db2 databases on z os using ispf interface jcl batch or gui

how to copy files using cafile master ibm mainframes ca file - Jan 17 2022

web ca products hi i want to copy i want to replicate data from one file to next two output files its like single read plus multiple letter the same data thanks pavan use in the

ca file master plus for ims ispf user guide manualzz - Oct 26 2022

web ca file master plus for ims ispf user guide r8 5 fourth edition this documentation which includes embedded help systems and electronically distributed materials

ca file master plus for ims broadcom inc - Jan 29 2023

web ca file master plus for ims is a full function z os data management product that provides enhanced capabilities for ibm s ims database management system in an online

ca file master plus all other tools ca file master plus ispf - Mar 19 2022

web i got this new job in a company and they use ca file master plus for browsing dataset in mainframe in my previous company we employed file aid i am find it difficult to use

file master plus 11 0 broadcom inc - Sep 05 2023

web file master plus for db2 for z os supports batch processing in the extract and reload utilities for more information see utilities view all using the eclipse ui you can

ca file master plus broadcom inc - Oct 06 2023

web ca file master plus is a full function z os and file data management product that provides enhanced capabilities for sequential partitioned and vsam including iam files in an

where is the documentation for the new releases of ca file - Dec 28 2022

web docops ca com ca file master plus 10 en this includes install manuals but historically filemaster plus has not had a message manual the explanation is that the

ca file master plus ftpdocs broadcom com - May 01 2023

web this document references the following ca technologies products a file master plus a mainframe software manager a msm contact ca technologies contact ca support

[file master plus 12 0 ca file master plus ispf user guide](#) - May 21 2022

web the builder of that documentation is ca provided with restricted these guide is for anyone using ca file masterstudium extra for batch to manage files plus

[redirection page bingwallpaper microsoft com](#) - Nov 14 2021

web redirection page bingwallpaper microsoft com

[ca file master plus ispf user guide manualzz](#) - Aug 24 2022

web user manual ca file master plus ispf user guide pds utilities sub menu update pds allocation parameters lets you increase the number of directory blocks or the primary

[webinterface](#) - Mar 31 2023

web webinterface

ca file master plus reviews 2023 details pricing features g2 - Feb 15 2022

web jan 17 2022 top rated ca file master plus alternatives testrail 4 3 5 494 panaya change intelligence 4 4 5 305 ca file master plus filter reviews by the users

ca file master plus ftpdocs broadcom com - Jul 03 2023

web welcome to the ca file master plus version 9 0 00 bookshelf browse the categories on this bookshelf for the information you need search use search on this bookshelf to

[ca file master plus for db2 for z os v9 webinterface](#) - Nov 26 2022

web ca file mastertm plus for db2 for z os allows you to edit or view sample ibm db2 tables for more information see ibm db2 for z os introduction to db2 for z os

support content notification support portal broadcom support - Jun 21 2022

web dec 30 2020 today we are pleased to announce that the complete release for ca file master plus ca file master plus for ims ca file master plus for db2 for z os 10 0

[ca file master plus ispf user guide manualzz](#) - Sep 24 2022

web 1 select browse from the main menu screen the browse data set screen opens ca file master plus browse data set command specify data

[ca file master plus broadcom inc](#) - Aug 04 2023

web chapter 1 new features this section contains the following topics ca chorus software manager see page 7 eclipse user interface see page 8 ca chorus software manager

[where can i find the ca file master plus v 10 documentation](#) - Feb 27 2023

web the ca file master version 10 documentation is now available at docopts docops ca com the link above shows all ca

products that the documentation is in

ca file master plus ispf user guide manualzz - Jul 23 2022

web jan 29 2012 for a complete explanation of selection criteria and examples of valid syntax see the chapter filters use a cataloged selection criteria parameter member that has

kamala nursing home in kempegowda nagar bangalore lybrate - Apr 03 2022

web kamala nursing home in kempegowda nagar bangalore book appointment consult doctors online view doctor fees contact number address for kamala nursing home dr shashikala lybrate

november 2013 malayalam kambikatha wellness homes - Jun 05 2022

web november 2013 malayalam kambikatha wellness homes author tug do nlnetlabs nl 2023 09 27 01 36 47 subject

november 2013 malayalam kambikatha wellness homes keywords november 2013 malayalam kambikatha wellness homes created date 9 27 2023 1 36 47 am

november 2013 malayalam kambikatha wellness homes - Jun 17 2023

web in the house workplace or perhaps in your method can be all best area within net connections if you want to download and install the november 2013 malayalam kambikatha wellness homes it is unconditionally easy then back currently we extend the partner to buy and create bargains to

november 2013 malayalam kambikatha wellness homes pdf - May 16 2023

web november 2013 malayalam kambikatha wellness homes pdf upload mita w hayda 1 1 downloaded from elections freep com on august 1 2023 by mita w hayda enter the realm of november 2013 malayalam kambikatha wellness homes pdf a mesmerizing literary masterpiece penned by way of a distinguished author guiding readers on a profound

november 2013 malayalam kambikatha wellness homes 45 56 97 - Jul 06 2022

web 2 november 2013 malayalam kambikatha wellness homes 2022 11 12 about how to handle potentially life threatening situations with the police as well as recourse for readers who suspect their civil rights have been denied due to racial profiling a book written to save lives driving while black is not just for people of color but for anyone

november 2013 malayalam kambikatha wellness homes pdf - Mar 02 2022

web may 25 2023 is november 2013 malayalam kambikatha wellness homes below best women s erotica of the year rachel kramer bussel 2017 11 21 best women s erotica of the year volume 3 delivers the kind of sexy stories you want most daring bold and surprising tales of women who pursue their boundless passions anywhere and everywhere

november 2013 malayalam kambikatha wellness homes 2022 - Sep 20 2023

web the contribution of the west to the scientific study of malayalam the cambridge companion to vaughan williams charithra novel malayaltil kathakal some structure preserving transformations in malayalam accent on malayalam fiction peruvanam

gramam november 2013 malayalam kambikatha wellness homes downloaded from
[november 2013 malayalam kambikatha wellness homes pdf](#) - Apr 15 2023

web discover them rapidly in the house workplace or perhaps in your method can be every best area within net connections if you try to download and install the november 2013 malayalam kambikatha wellness homes it is unconditionally simple then back currently we extend the partner to buy and create bargains to download and install november
[november 2013 malayalam kambikatha wellness homes pdf](#) - Oct 09 2022

web november 2013 malayalam kambikatha wellness homes pdf introduction november 2013 malayalam kambikatha wellness homes pdf 2023 running doc s guide to healthy running lewis g maharam md 2013 09 13 for a runner injury is a terrible fate yet every year nearly half of america s runners suffer an injury severe
[november 2013 malayalam kambikatha wellness homes](#) - Dec 11 2022

web november 2013 malayalam kambikatha wellness homes author justus backhaus from cbb waroengss com subject november 2013 malayalam kambikatha wellness homes keywords homes november kambikatha 2013 malayalam wellness created date 4 28 2023 6 17 16 am

[photos of marhaba tourist home kunnamangalam makemytrip](#) - Feb 01 2022

web photos of marhaba tourist home kunnamangalam in calicut best price room rates guarantee book online and get best deals and discounts with lowest price on lodge booking check all reviews photos contact number address of marhaba tourist home kunnamangalam calicut and free cancellation of lodge

[november 2013 malayalam kambikatha wellness homes pdf](#) - Mar 14 2023

web november 2013 malayalam kambikatha wellness homes pdf introduction november 2013 malayalam kambikatha wellness homes pdf pdf title november 2013 malayalam kambikatha wellness homes pdf pdf dsm diabetesselfmanagement com created date 9 5 2023 4 26 27 am

[november 2013 malayalam kambikatha wellness homes pdf](#) - Aug 19 2023

web title november 2013 malayalam kambikatha wellness homes pdf free snapshot segmetrics io created date 9 2 2023 1 15 31 pm

[november 2013 malayalam kambikatha wellness homes pdf](#) - Feb 13 2023

web jun 15 2023 november 2013 malayalam kambikatha wellness homes pdf as recognized adventure as with ease as experience just about lesson amusement as skillfully as contract can be gotten by just checking out a ebook november 2013 malayalam kambikatha wellness homes pdf also it is not directly done you could believe even

[november 2013 malayalam kambikatha wellness homes home](#) - Aug 07 2022

web november 2013 malayalam kambikatha wellness homes author jochen nemetz from qiup edu my subject november 2013

malayalam kambikatha wellness homes keywords november 2013 malayalam kambikatha wellness homes created date 2 1 2023 9 13 14 am

november 2013 malayalam kambikatha wellness homes pdf - Nov 10 2022

web november 2013 malayalam kambikatha wellness homes pdf upload herison l boyle 2 6 downloaded from voto uncal edu br on august 18 2023 by herison l boyle the promise allsettled method page 57 the promise any method page 61 the promise race method page 65 summary page 67 4 async functions and await

november 2013 malayalam kambikatha wellness homes - May 04 2022

web november 2013 malayalam kambikatha wellness homes 3 3 best women s erotica of the year volume 3 delivers the kind of sexy stories you want most daring bold and surprising tales of women who pursue their boundless passions anywhere and everywhere edited by rachel kramer bussel winner of multiple independent publishing book

november 2013 malayalam kambikatha wellness homes - Jan 12 2023

web november 2013 malayalam kambikatha wellness homes author albrecht kluckhohn from magazine mediamarkt nl subject november 2013 malayalam kambikatha wellness homes keywords november 2013 kambikatha homes malayalam wellness created date 4 23 2023 7 52 46 am

november 2013 malayalam kambikatha wellness homes pdf - Jul 18 2023

web jun 19 2023 november 2013 malayalam kambikatha wellness homes pdf if you ally dependence such a referred november 2013 malayalam kambikatha wellness homes pdf ebook that will provide you worth get the no question best seller from us currently from several preferred authors if you desire to witty books lots of novels tale jokes and

november 2013 malayalam kambikatha wellness homes pdf - Sep 08 2022

web november 2013 malayalam kambikatha wellness homes 1 november 2013 malayalam kambikatha wellness homes jk haru is a sex worker in another world manga vol 3 victorious quantum series book 3 best women s erotica of the year ancient music in the pines maternal and child health nursing

human development a life span view 6th edition amazon com - Jul 14 2023

web jan 1 2012 balanced coverage of the entire life span is just one thing that distinguishes human development a life span view 6th edition with its comprehensive succinct and applied coverage the text has proven its ability to capture students interest while introducing them to the issues forces and outcomes that make us who we are

human development a life span view kail robert v free - May 12 2023

web language english xxxv 712 pages 29 cm includes bibliographical references pages 627 688 and indexes the study of human development biological foundations heredity prenatal development and birth tools for exploring the world physical perceptual and motor development the emergence of thought and language

human development a life span view 7th edition amazon com - Oct 05 2022

web jan 1 2015 amazon com human development a life span view 9781305116641 kail robert v cavanaugh john c books

human development a life span view robert v kail john c - Aug 15 2023

web jan 1 2012 human development a life span view psy 232 developmental psychology series authors robert v kail john c cavanaugh edition 6 illustrated publisher cengage learning 2012 isbn

human development 6th edition by kail pdf free download - Jun 13 2023

web 3 this pdf book include human development view 6th edition document to download free human resource development 6th ed cengagebrain you chapter 25 reproduction and chapter 25 reproduction and fill in the blank with the appropriate term 1 a is a haploid cell that combines with another haploid gamete during fertilization 2

human development 6th edition by kail - Jan 28 2022

web experiencing mis 2nd edition great expectations i survived pompeii hilarious adventures in an elementary school library je me souviens de toulouse une mémoire intime de la ville le pied et l œil de biche lord edgware dies a bbc full cast radio

drama mafia en américa del sud 2 lula movimiento a mafia na

children and their development 6th edition kail robert v - Sep 04 2022

web topic coverage includes the prenatal period through adolescence which best suits child development courses in psychology education human development child and family studies and early childhood education

essentials of human development a life span view 2nd edition - Aug 03 2022

web jan 1 2016 essentials of human development a life span view 2nd edition offers an introduction to relevant research and its application to important issues in life span development in addition the text emphasizes the application of human development research across diverse professional settings

human development a life span view by robert v kail - Feb 09 2023

web robert v kail distinguished professor of psychological sciences purdue university west lafayette indiana kail has been a faculty member in purdue s department of psychological sciences since 1979 prior to that he was an assistant professor of psychology at the university of pittsburgh kail has 65 publications in refereed journals and

human development 6th edition kail harvard university - Apr 30 2022

web child and human development and developmental examples from all fields of cultural study human development a life span view robert v kail 2012 01 01 balanced coverage of the entire life span is just one thing that distinguishes human development a life span view 6th edition with its comprehensive succinct

human development 6th edition by kail pdf pdf vodice - Mar 30 2022

web the seventh edition has been updated to include current and extensive research sociocultural coverage evolutionary

coverage of memory development children s development of prosocial cognition moral development and the concept of overimitation

human development mindtap 6 months 9th edition - Feb 26 2022

web updates explore the pandemic from a developmental perspective and examine issues such as the differences in emerging and established adulthood the development of transgender children and advancements in holistic interventions for dementia

amazon com spend less smile more - Jan 08 2023

web amazon com spend less smile more

human development a life span view google books - Mar 10 2023

web robert v kail john c cavanaugh wadsworth cengage learning 2010 psychology 735 pages 0 reviews reviews aren t verified but google checks for and removes fake content when it s identified

human development 8th edition 9781337554831 cengage - Jul 02 2022

web mindtap psychology for kail cavanaugh s human development a life span view 8th edition is the digital learning solution that powers students from memorization to mastery it gives you complete control of your course to provide engaging content to challenge every individual and to build their confidence

human development a life span view google books - Apr 11 2023

web jan 1 2015 human development a life span view robert v kail john c cavanaugh cengage learning jan 1 2015 psychology 720 pages balanced coverage of the entire life span is just one thing that distinguishes human development a life span view seventh edition

human development a life span view robert v kail john c - Nov 06 2022

web cengage mar 24 2022 developmental psychology 720 pages gain a strong understanding of the issues forces and outcomes that shape individuals into the people they become as you study the captivating content in kail cavanaugh s human development a life span view 9e

study guide for kail cavanaugh s human development a l - Dec 07 2022

web apr 5 2006 robert v kail john c cavanaugh study more effectively and improve your performance at exam time with this comprehensive guide written to work hand in hand with human a life span view 6th edition this user friendly guide includes a wide variety of learning tools to help you master the key concepts of the course

human development 6th edition kail copy ams istanbul edu - Jun 01 2022

web development a life span view 6th edition rent robert v kail human development a life span view by kail robert v published by cengage learning 6th sixth edition 2012 hardcover hardcover 4 5 out of 5 stars 122 ratings see all formats and editions human development a life

human development 6th edition by kail - Dec 27 2021

web of child development and has set the standard against which all other scholarly references are compared updated and revised to reflect the new developments in the field the handbook of child psychology sixth edition contains new chapters on such topics as spirituality social understanding and non verbal communication volume 4 child