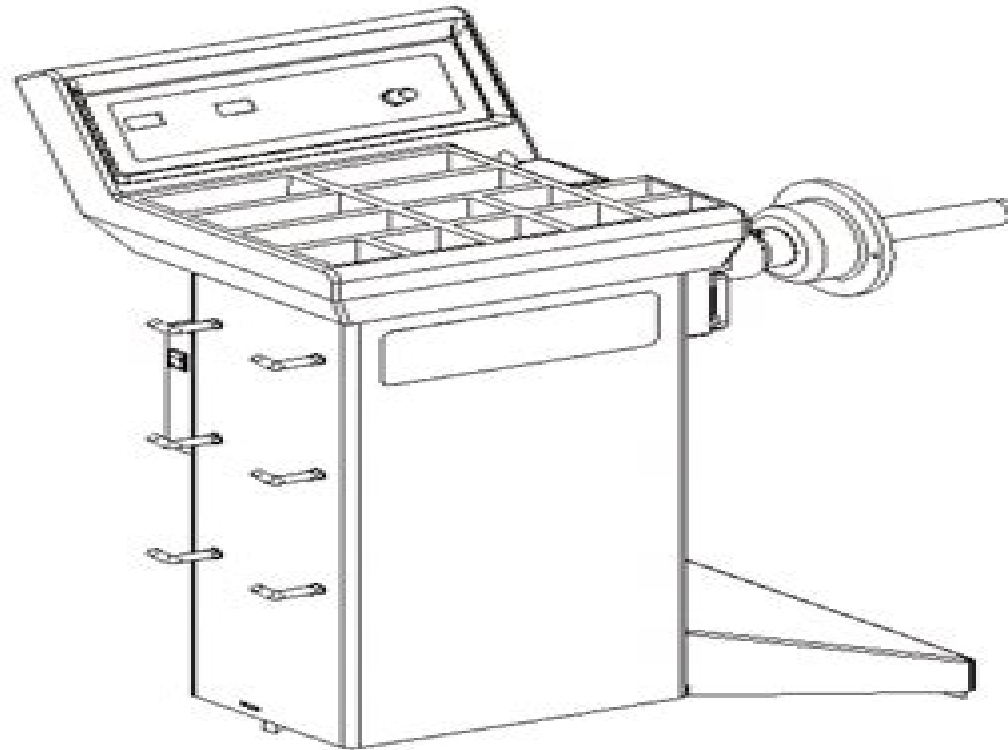


Service Manual

DSP 7700 Wheel Balancer



Hunter Dsp 7705 Manual

Jianjun Gao



Hunter Dsp 7705 Manual:

Eventually, you will no question discover a extra experience and carrying out by spending more cash. still when? get you take that you require to get those all needs next having significantly cash? Why dont you try to get something basic in the beginning? Thats something that will lead you to understand even more something like the globe, experience, some places, later than history, amusement, and a lot more?

It is your extremely own grow old to acquit yourself reviewing habit. in the midst of guides you could enjoy now is **Hunter Dsp 7705 Manual** below.

https://staging.conocer.cide.edu/results/scholarship/Documents/Mb_Quart_Mbk_Lk_702_Headsets_Owners_Manual.pdf

Table of Contents Hunter Dsp 7705 Manual

1. Understanding the eBook Hunter Dsp 7705 Manual
 - The Rise of Digital Reading Hunter Dsp 7705 Manual
 - Advantages of eBooks Over Traditional Books
2. Identifying Hunter Dsp 7705 Manual
 - Exploring Different Genres
 - Considering Fiction vs. Non-Fiction
 - Determining Your Reading Goals
3. Choosing the Right eBook Platform
 - Popular eBook Platforms
 - Features to Look for in an Hunter Dsp 7705 Manual
 - User-Friendly Interface
4. Exploring eBook Recommendations from Hunter Dsp 7705 Manual
 - Personalized Recommendations
 - Hunter Dsp 7705 Manual User Reviews and Ratings
 - Hunter Dsp 7705 Manual and Bestseller Lists
5. Accessing Hunter Dsp 7705 Manual Free and Paid eBooks

- Hunter Dsp 7705 Manual Public Domain eBooks
 - Hunter Dsp 7705 Manual eBook Subscription Services
 - Hunter Dsp 7705 Manual Budget-Friendly Options
6. Navigating Hunter Dsp 7705 Manual eBook Formats
 - ePub, PDF, MOBI, and More
 - Hunter Dsp 7705 Manual Compatibility with Devices
 - Hunter Dsp 7705 Manual Enhanced eBook Features
 7. Enhancing Your Reading Experience
 - Adjustable Fonts and Text Sizes of Hunter Dsp 7705 Manual
 - Highlighting and Note-Taking Hunter Dsp 7705 Manual
 - Interactive Elements Hunter Dsp 7705 Manual
 8. Staying Engaged with Hunter Dsp 7705 Manual
 - Joining Online Reading Communities
 - Participating in Virtual Book Clubs
 - Following Authors and Publishers Hunter Dsp 7705 Manual
 9. Balancing eBooks and Physical Books Hunter Dsp 7705 Manual
 - Benefits of a Digital Library
 - Creating a Diverse Reading Collection Hunter Dsp 7705 Manual
 10. Overcoming Reading Challenges
 - Dealing with Digital Eye Strain
 - Minimizing Distractions
 - Managing Screen Time
 11. Cultivating a Reading Routine Hunter Dsp 7705 Manual
 - Setting Reading Goals Hunter Dsp 7705 Manual
 - Carving Out Dedicated Reading Time
 12. Sourcing Reliable Information of Hunter Dsp 7705 Manual
 - Fact-Checking eBook Content of Hunter Dsp 7705 Manual
 - Distinguishing Credible Sources
 13. Promoting Lifelong Learning
 - Utilizing eBooks for Skill Development

- Exploring Educational eBooks
- 14. Embracing eBook Trends
 - Integration of Multimedia Elements
 - Interactive and Gamified eBooks

Hunter Dsp 7705 Manual Introduction

In the digital age, access to information has become easier than ever before. The ability to download Hunter Dsp 7705 Manual has revolutionized the way we consume written content. Whether you are a student looking for course material, an avid reader searching for your next favorite book, or a professional seeking research papers, the option to download Hunter Dsp 7705 Manual has opened up a world of possibilities. Downloading Hunter Dsp 7705 Manual provides numerous advantages over physical copies of books and documents. Firstly, it is incredibly convenient. Gone are the days of carrying around heavy textbooks or bulky folders filled with papers. With the click of a button, you can gain immediate access to valuable resources on any device. This convenience allows for efficient studying, researching, and reading on the go. Moreover, the cost-effective nature of downloading Hunter Dsp 7705 Manual has democratized knowledge. Traditional books and academic journals can be expensive, making it difficult for individuals with limited financial resources to access information. By offering free PDF downloads, publishers and authors are enabling a wider audience to benefit from their work. This inclusivity promotes equal opportunities for learning and personal growth. There are numerous websites and platforms where individuals can download Hunter Dsp 7705 Manual. These websites range from academic databases offering research papers and journals to online libraries with an expansive collection of books from various genres. Many authors and publishers also upload their work to specific websites, granting readers access to their content without any charge. These platforms not only provide access to existing literature but also serve as an excellent platform for undiscovered authors to share their work with the world. However, it is essential to be cautious while downloading Hunter Dsp 7705 Manual. Some websites may offer pirated or illegally obtained copies of copyrighted material. Engaging in such activities not only violates copyright laws but also undermines the efforts of authors, publishers, and researchers. To ensure ethical downloading, it is advisable to utilize reputable websites that prioritize the legal distribution of content. When downloading Hunter Dsp 7705 Manual, users should also consider the potential security risks associated with online platforms. Malicious actors may exploit vulnerabilities in unprotected websites to distribute malware or steal personal information. To protect themselves, individuals should ensure their devices have reliable antivirus software installed and validate the legitimacy of the websites they are downloading from. In conclusion, the ability to download Hunter Dsp 7705 Manual has transformed the way we access information. With the convenience, cost-effectiveness, and accessibility it offers, free PDF downloads have become a

popular choice for students, researchers, and book lovers worldwide. However, it is crucial to engage in ethical downloading practices and prioritize personal security when utilizing online platforms. By doing so, individuals can make the most of the vast array of free PDF resources available and embark on a journey of continuous learning and intellectual growth.

FAQs About Hunter Dsp 7705 Manual Books

1. Where can I buy Hunter Dsp 7705 Manual books? Bookstores: Physical bookstores like Barnes & Noble, Waterstones, and independent local stores. Online Retailers: Amazon, Book Depository, and various online bookstores offer a wide range of books in physical and digital formats.
2. What are the different book formats available? Hardcover: Sturdy and durable, usually more expensive. Paperback: Cheaper, lighter, and more portable than hardcovers. E-books: Digital books available for e-readers like Kindle or software like Apple Books, Kindle, and Google Play Books.
3. How do I choose a Hunter Dsp 7705 Manual book to read? Genres: Consider the genre you enjoy (fiction, non-fiction, mystery, sci-fi, etc.). Recommendations: Ask friends, join book clubs, or explore online reviews and recommendations. Author: If you like a particular author, you might enjoy more of their work.
4. How do I take care of Hunter Dsp 7705 Manual books? Storage: Keep them away from direct sunlight and in a dry environment. Handling: Avoid folding pages, use bookmarks, and handle them with clean hands. Cleaning: Gently dust the covers and pages occasionally.
5. Can I borrow books without buying them? Public Libraries: Local libraries offer a wide range of books for borrowing. Book Swaps: Community book exchanges or online platforms where people exchange books.
6. How can I track my reading progress or manage my book collection? Book Tracking Apps: Goodreads, LibraryThing, and Book Catalogue are popular apps for tracking your reading progress and managing book collections. Spreadsheets: You can create your own spreadsheet to track books read, ratings, and other details.
7. What are Hunter Dsp 7705 Manual audiobooks, and where can I find them? Audiobooks: Audio recordings of books, perfect for listening while commuting or multitasking. Platforms: Audible, LibriVox, and Google Play Books offer a wide selection of audiobooks.
8. How do I support authors or the book industry? Buy Books: Purchase books from authors or independent bookstores. Reviews: Leave reviews on platforms like Goodreads or Amazon. Promotion: Share your favorite books on social media or recommend them to friends.

9. Are there book clubs or reading communities I can join? Local Clubs: Check for local book clubs in libraries or community centers. Online Communities: Platforms like Goodreads have virtual book clubs and discussion groups.
10. Can I read Hunter Dsp 7705 Manual books for free? Public Domain Books: Many classic books are available for free as they're in the public domain. Free E-books: Some websites offer free e-books legally, like Project Gutenberg or Open Library.

Find Hunter Dsp 7705 Manual :

[mb quart mbk lk 702 headsets owners manual](#)

[mazda b4000 manual transmission fluid change](#)

[mazda truck parts user manual](#)

[mbo folding manual](#)

[mazda tribute service engine light](#)

[mazda transmission repair guide 2005 tribute schematics](#)

[mazda cx 7 common problems 2007](#)

[mazda cx5 diesel manual transmission](#)

[mbk rocket manual](#)

[mb e430 2001 manual](#)

[mcas 9 th grade papers](#)

[mazda protege 2003 manual transmission how to fill](#)

[mazda rx 7 complete workshop repair manual 1985 1988](#)

[mbc maneb msce results](#)

[mazda diagrams 323-95](#)

Hunter Dsp 7705 Manual :

[la ley de parkinson aprovechar el tiempo y los ef pdf](#) - Mar 23 2022

web it will not waste your time understand me the e book will agreed proclaim you extra matter to read just invest little times to read this on line message la ley de parkinson aprovechar el tiempo y los ef as skillfully as evaluation them wherever you

are now the public health consequences of disasters eric k noji 1996 11 14

[una persona con párkinson desde hace más de 25 años el país](#) - Jun 25 2022

web nov 6 2023 marc gauthier enfermo con párkinson desde hace más de 25 años cuando gauthier llegó a los cuarteles generales de neurorestore el centro donde trabaja martín y del que son codirectores

la ley de parkinson aprovechar el tiempo y los efectivos - Jun 06 2023

web la ley de parkinson aprovechar el tiempo y los efectivos disponibles ebook written by 50minutos read this book using google play books app on your pc android ios devices download for offline reading highlight bookmark or take notes while you read la ley de parkinson aprovechar el tiempo y los efectivos disponibles

la ley de parkinson aprovechar el tiempo y los efectivos - Mar 03 2023

web cómo sacar el máximo provecho del tiempo y los efectivos disponible este libro es una guía práctica y accesible para entender y aplicar la ley de parkinson que le aportará la información esencial y le permitirá ganar tiempo en tan solo 50 minutos usted podrá entender los tres supuestos desarrollados por parkinson y considerar si se

la ley de parkinson aprovechar el tiempo y los efectivos - Jul 07 2023

web cómo sacar el máximo provecho del tiempo y los efectivos disponible este libro es una guía práctica y accesible para entender y aplicar la ley de parkinson que le aportará la información esencial y le permitirá ganar tiempo en tan solo 50 minutos usted podrá entender los tres supuestos desarrollados por parkinson y considerar si se

la ley de parkinson aprovechar el tiempo y los efectivos - Jul 27 2022

web buy the book la ley de parkinson aprovechar el tiempo y los efectivos disponibles by 50minutos 50minutos at indigo skip to main content skip to footer content la ley de parkinson aprovechar el tiempo y los efectivos disponibles 50minutos 50minutos apr 26 2016 n a price reduced from

la ley de parkinson aprovechar el tiempo y los ef 2022 - Apr 23 2022

web 4 la ley de parkinson aprovechar el tiempo y los ef 2022 12 16 most these three high performance habits are developing a written personal vision identifying and setting roles and goals and consistently doing pre week planning and steve and rob make an audacious promise these three habits can increase anyone s productivity by at least 30

la ley de parkinson aprovechar el tiempo y los efectivos - Aug 08 2023

web cómo sacar el máximo provecho del tiempo y los efectivos disponible este libro es una guía práctica y accesible para entender y aplicar la ley de parkinson que le

la ley de parkinson aprovechar el tiempo y los ef pdf - Sep 28 2022

web la ley de parkinson aprovechar el tiempo y los ef recognizing the artifice ways to get this ebook la ley de parkinson aprovechar el tiempo y los ef is additionally useful you have remained in right site to begin getting this info get the la ley de parkinson aprovechar el tiempo y los ef link that we allow here and check out the link

la ley de parkinson aprovechar el tiempo y los efectivos - May 05 2023

web la ley de parkinson aprovechar el tiempo y los efectivos disponibles gestión y marketing spanish edition edición kindle este libro es una guía práctica y accesible para entender y aplicar la ley de parkinson que le aportará la información esencial y le permitirá ganar tiempo

[ley de parkinson wikipedia la enciclopedia libre](#) - Jan 01 2023

web la ley de parkinson enunciada por el británico cyril northcote parkinson en 1957 afirma que el trabajo se expande hasta llenar el tiempo disponible para que se termine en una burocracia esto es motivado por dos factores un funcionario quiere multiplicar sus subordinados no rivales los funcionarios se crean trabajo unos a otros

la ley de parkinson aprovechar el tiempo y los efectivos - Apr 04 2023

web cómo sacar el máximo provecho del tiempo y los efectivos disponibles este libro es una guía práctica y accesible para entender y aplicar la ley de parkinson que le aportará la información esencial y le permitirá ganar tiempo en tan solo 50 minutos usted podrá entender los tres supuestos desarrollados por parkinson y considerar si se

ley de parkinson consejos para combatirla y aumentar la - Oct 30 2022

web en esta guía explicaremos cómo funciona la ley de parkinson y brindaremos algunos consejos para ayudarte a realizar tu trabajo en menos tiempo qué es la ley de parkinson la ley de parkinson establece que el trabajo se expande hasta que ocupa por completo el tiempo destinado para su realización

la ley de parkinson la curiosa norma de comportamiento que - Feb 02 2023

web dec 1 2019 el historiador naval británico cyril northcote parkinson escribió esa línea de apertura para un ensayo en la revista the economist en 1955 pero el concepto conocido como ley de parkinson

ley de parkinson qué es definición y concepto economipedia - May 25 2022

web oct 4 2023 la ley de parkinson afirma que la ejecución de una tarea se demorará a lo largo de todo el tiempo que tengamos disponible para hacerla la ley de parkinson es una ley que tiene que ver con el trabajo y la productividad y es que defiende que cuanto más tiempo tengamos acotado para realizar una tarea más se tardará esta en llevarse

[la ley de parkinson aprovechar el tiempo y los ef](#) - Feb 19 2022

web 2 la ley de parkinson aprovechar el tiempo y los ef 2022 04 05 la ley de parkinson aprovechar el tiempo y los ef downloaded from protese odontocompany com by guest mcgee maximillian measure what matters penguin cómo sacar el máximo provecho del tiempo y los efectivos disponibles este

cómo aprovechar la ley de parkinson para ser más productivo en el - Aug 28 2022

web sep 30 2023 cómo utilizar la ley de parkinson a tu favor 1 establecé plazos ajustados para combatir la tendencia natural a procrastinar establecé plazos más cortos y realistas al hacer esto descubrirás que tu concentración y productividad aumentan a medida que intentás cumplir con estos plazos más ajustados 2

la ley de parkinson por qué tardamos más cuanto más tiempo - Nov 30 2022

web jan 18 2021 la ley de parkinson es una afirmación por la cual una persona que deba hacer una tarea y disponga de un tiempo determinado para realizarla siempre va a tender a ocupar por completo dicho tiempo por mucho que

la ley de parkinson aprovechar el tiempo y los ef 2022 - Sep 09 2023

web cuando le pregunte a la mayoría de las personas le dirán que nunca esperaron que el movimiento fuego se volviera tan popular renunciar a las alegrías de la vida y ahorrar más del 50 de los ingresos para jubilarse a los 30 o 40 años no es algo fácil de hacer en 2020 el movimiento fuego está en su apogeo

la ley de parkinson aprovechar el tiempo y los efectivos - Oct 10 2023

web ley de parkinson se conecta con nuestra tendencia a complejizar reducir la complejidad de los procesos internos y la burocracia entre diferentes áreas o equipos de trabajo visibilizar el trabajo la automatización de procesos rutinarios pueden ser valsamos para los sistemas complejos o de gran tamaño

profesorica iz snova sedmo izdanje vbz online bookstore - Aug 02 2022

web profesorica iz snova sedmo izdanje autor gavran miro 9 16 69 02 kn na zalihi dodaj u košaricu

profesorica iz snova miro gavran knjižara ljevak - Dec 06 2022

web profesorica iz snova je roman za djecu i mlade iz pera poznatog hrvatskog pisca mire gavrana duhovita je to priča o četrnaestogodišnjaku koji se zaljubljuje u svoju

miro gavran profesorica iz snova help environment harvard edu - Oct 24 2021

web profesorica iz snova miro gavran 2006 the death of yugoslavia laura silber 1995 the death of yugoslavia is the first account to go behind the public face of battle and

miro gavran profesorica iz snova knjigaljetateens - May 31 2022

web jun 15 2011 Što se tiče pisca miro gavran je odličan dječji pisac i osim profesorica iz snova izdao je mnoge druge zanimljive dječje romane svašta u mojoj glavi sretni dani

miro gavran profesorica iz snova prepričano lektira lektire me - Apr 10 2023

web miro gavran profesorica iz snova profesorica iz snova je duhovita priča o zaljubljivanju i otkrivanju tajni ljubavi i pogreškama koje se mogu počinuti u ljubavnim

miro gavran profesorica iz snova roman moderna vremena - Nov 24 2021

web profesorica iz snova roman 05 2006 moderna vremena više se ne bave prodajom knjiga potražite ih u knjižarama antikvarijatima ili u knjižnicama miro gavran objavio je

miro gavran wikipedia - Jun 12 2023

miro gavran gornja trnava 3 svibnja 1961 hrvatski je dramatičar romanopisac pripovjedač i pisac za mlade član i suradnik

hrvatske akademije znanosti i umjetnosti najizvođeniji je hrvatski dramski pisac djela su mu prevedena na 40 jezika njegove knjige su imale više od 250 izdanja u zemlji i inozemstvu po njegovim dramama i komedijama nastalo je više od 400 kazališnih premijera š

miro gavran profesorica iz snova biblos - Jan 07 2023

web profesorica iz snova je roman za djecu i mlade iz pera poznatog hrvatskog pisca mire gavrana duhovita je to priča o četrnaestogodišnjaku koji se zaljubljuje u svoju

profesorica iz snova by miro gavran goodreads - Jul 13 2023

web 3 59 71 ratings2 reviews duhovita je to priča o četrnaestogodišnjaku koji se zaljubljuje u svoju mladu profesoricu mnoge peripetije i neočekivane situacije dovest će učenika do

knjiga profesorica iz snova miro gavran knjižara znanje - Mar 09 2023

web profesorica iz snova je roman za djecu i mlade iz pera poznatog hrvatskog pisca mire gavrana duhovita je to priča o četrnaestogodišnjaku koji se zaljubljuje u svoju

miro gavran profesorica iz snova ibiblos - Nov 05 2022

web profesorica iz snova je roman za djecu i mlade iz pera poznatog hrvatskog pisca mire gavrana duhovita je to priča o četrnaestogodišnjaku koji se zaljubljuje u svoju

profesorica iz snova miro gavran knjiga ba knjižara - Dec 26 2021

web i sad umjesto da mi dečki iz osmoga razreda budemo glavne face u školi naši nesuđeni komadi na velikom odmoru gledaju gimnazijalce na drugoj strani ceste užas već sam

[profesorica iz snova miro gavran superknjizara hr](#) - May 11 2023

web miro gavran nakladnik ci mozaik knjiga isbn 978 953 14 3278 8 uvez meki godina izdanja 2022 broj stranica 169 format 19 x 15 cm od istog autora svašta u mojoj

profesorica iz snova e knjige mozaik knjiga - Mar 29 2022

web profesorica iz snova je roman za djecu i mlade iz pera poznatog hrvatskog pisca mire gavrana duhovita je to priča o četrnaestogodišnjaku koji se zaljubljuje u svoju

profesorica iz snova lektira miro gavran lektire hr - Aug 14 2023

web profesorica iz snova je roman za mlade mire gavrana govori o osmašu koji se zaljubio u profesoricu zemljopisa što je njegov dodatan adolescentski problem

profesorica iz snova miro gavran mjesto radnje kola - Jan 27 2022

web o piscu miro gavran rođen je 1961 godine on je suvremeni hrvatski književnik a djela su mu prevedena na dvadeset i pet jezika dobio je dvadestest književnih nagrada u zemlji i

profesorica iz snova miro gavran nepoznati smjer - Sep 03 2022

web 11 93 89 89kn profesorica iz snova profesorica iz snova je roman za djecu i mlade mire gavrana

profesorica iz snova - Jul 01 2022

web opis specifikacije recenzije 0 profesorica iz snova je roman za djecu i mlade iz pera poznatog hrvatskog pisca mire gavrana duhovita je to priča o

profesorica iz snova e knjiga - Feb 25 2022

web profesorica iz snova je roman za djecu i mlade iz pera poznatog hrvatskog pisca mire gavrana duhovita je to priča o četrnaestogodišnjaku koji se zaljubljuje u svoju

profesorica iz snova knjiga autora gavran miro vbz online - Sep 22 2021

web opis uvjeti dostave recenzije 0 profesorica iz snova je roman za djecu i mlade iz pera poznatog hrvatskog pisca mire gavrana duhovita je to priča o

profesorica iz snova miro gavran free download pdf - Apr 29 2022

web apr 17 2017 za mlade čitatelje je napisao osam knjiga svašta u mojoj glavi kako je tata osvojio mamu zaljubljen do ušiju oproštajno pismo sretni dani igrokazi s glavom i

profesorica iz snova roman miro gavran google books - Oct 04 2022

web profesorica iz snova roman miro gavran mozaik knjiga 2006 179 pages 0 reviews reviews aren t verified but google checks for and removes fake content when it s

miro gavran biografija lektire hr - Feb 08 2023

web miro gavran je hrvatski suvremeni književnik rođen je u gornjoj trnavi mjestu pored nove gradiške 1961 godine osnovno i srednjoškolsko obrazovanje je završio u novoj

glencoe health 10th edition solutions and answers quizlet - Jul 14 2023

web our resource for glencoe health includes answers to chapter exercises as well as detailed information to walk you through the process step by step with expert solutions

understanding health and wellness mcgraw hill education - Mar 30 2022

web glencoe health provides high school students with age appropriate content that aligns with the national health education standards to help them become health literate

high school health curriculum glencoe health mcgraw hill - Sep 23 2021

glencoe health student activity workbook answers fill out sign - Jun 01 2022

web student activity workbook glencoe health book answers documents gt seapyramid netbest answer hey pal you re in the

wrong place at the wrong time

glencoe health student activity workbook answers list exams - Jan 28 2022

web glencoe health features module level activities that support students as they develop essential knowledge for making informed decisions and key skills that are critical to

glencoe health 9780078612114 solutions and answers quizlet - May 12 2023

web find step by step solutions and answers to glencoe health 9780078612114 as well as thousands of textbooks so you can move forward with confidence

glencoe health answer key teacher your health improve - Oct 25 2021

web glencoe health provides high school students with age appropriate content that aligns with the national health education standards to help them become health literate

glencoe health a guide to wellness 8th edition quizlet - Jun 13 2023

web now with expert verified solutions from glencoe health a guide to wellness 8th edition you ll learn how to solve your toughest homework problems our resource for glencoe

student activity workbook welcome to mr bextermuellers - Sep 04 2022

web an organism usually an arthropod such as a tick that carries and transmits pathogens to humans or other animals immune system a network of cells tissues organs and

glencoe health chapter 24 flashcards quizlet - Aug 03 2022

web verified answer english complete the sentence by underlining the pronoun that agrees with its antecedent then underline the antecedent twice if the antecedent is a relative

glencoe glencoe health pedagogy mcgraw hill - Dec 27 2021

web glencoe health is a comprehensive health program provided in a flexible format designed to improve health and wellness among high school students real life application of

glencoe health book answer key answers for 2023 exams - Apr 11 2023

web glencoe health answer key glencoe health chapter 2 review answer key mylibrary org the correct answer is hostility hostility is a state or behavior that

glencoe health student edition 1st edition studysoup - Jan 08 2023

web need answers to glencoe health student edition 1st edition published by glencoe mcgraw hill get help now with immediate access to step by step textbook

glencoe health 2022 mcgraw hill - Feb 26 2022

web health is the state of well being in which all of the components of health glencoe algebra 2 is a key program in our

vertically aligned high school get glencoe health

[glencoe health answer key answers for 2023 exams](#) - Mar 10 2023

web 6238 glencoe health 9780078913280 solutions and answers quizlet find step by step solutions and answers to glencoe health 9780078913280 as well as thousands

[glencoe health student activity workbook answer key pdf](#) - Apr 30 2022

web chapter 1 understanding health and wellness in this chapter hands on health health inventories eye on the media

interactive health tutor health podcasts student web

[glencoe health student activity workbook answer key](#) - Feb 09 2023

web the content chapter 1 directions choose the best answer and mark your responses in the answer space on the next page

1 your health triangle consists of what three

[glenco health answer key copy](#) - Nov 25 2021

web find north bergen nj teacher cert exams tutors teachers health 3 days ago webdiane s danbury ct 06810 43 7 mi 68 hr my comments on tutoring teacher

glencoe health bronson mary h mary helen 1948 free - Nov 06 2022

web glencoe health chapter activities use the chapter activities pull down menu at the left to access student web activities

interactive study guides and additional chapter

[glencoe health mcgraw hill education](#) - Oct 05 2022

web glencoe mcgraw hill 21600 oxnard street suite 500 woodland hills california 91367 isbn 978 0 07 888168 8 student edition chapter 13 personal health care test

glencoe health chapter 23 flashcards quizlet - Jul 02 2022

web edit student activity workbook answer key quickly add and highlight text insert images checkmarks and symbols drop new fillable fields and rearrange or remove pages from

[glencoe health 1st edition solutions and answers quizlet](#) - Aug 15 2023

web now with expert verified solutions from glencoe health 1st edition you ll learn how to solve your toughest homework problems our resource for glencoe health includes

[glencoe health 2005 pdf google drive](#) - Dec 07 2022

web glencoe health by bronson mary h mary helen 1948 publication date 2011 topics health textbooks health education secondary health publisher columbus oh