



Electric Circuit Diagrams

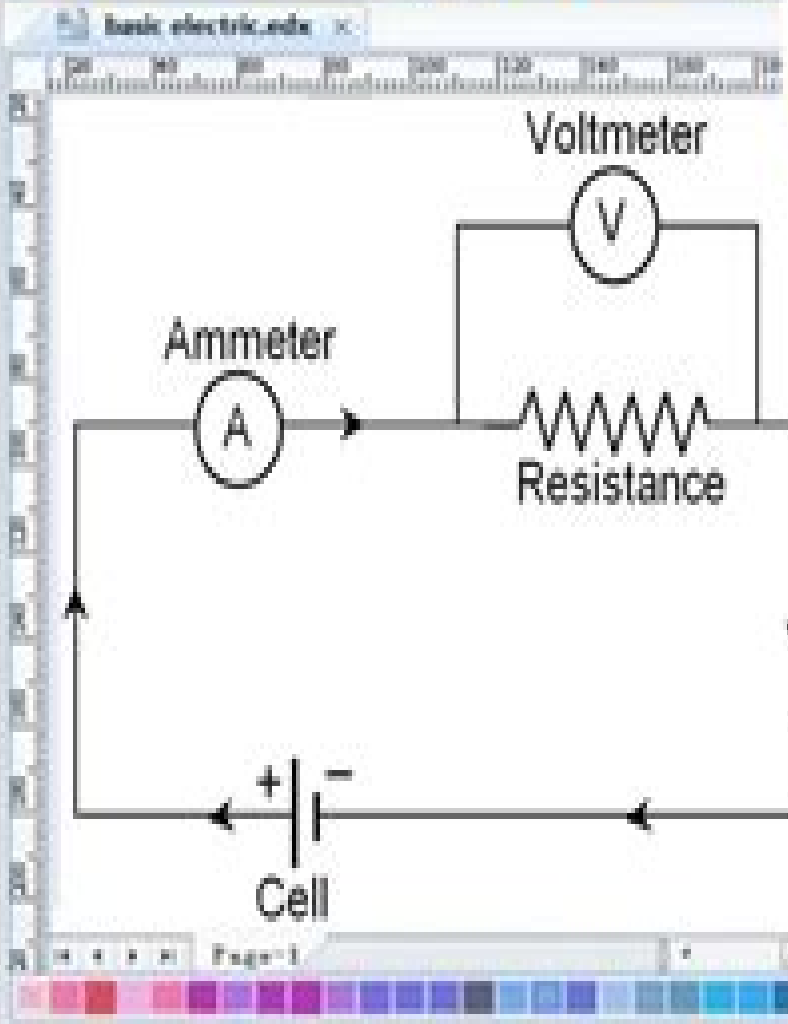
Edraw Max



Libraries

- Basic Items
- Logic Symbols
- Microprocessors and Electron Tubes
- Relays and Relays
- Routing Path

Examples Manager



How To Draw Circuit Diagram In Computer

**Klaus Miesenberger, Joachim
Klaus, Wolfgang Zagler, Arthur
Karshmer**



How To Draw Circuit Diagram In Computer:

Computer Architecture EduGorilla Prep Experts,2023-08-25 EduGorilla Publication is a trusted name in the education sector committed to empowering learners with high quality study materials and resources Specializing in competitive exams and academic support EduGorilla provides comprehensive and well structured content tailored to meet the needs of students across various streams and levels

Computing Handbook Heikki Topi,Allen Tucker,2014-05-14 The second volume of this popular handbook demonstrates the richness and breadth of the IS and IT disciplines The book explores their close links to the practice of using managing and developing IT based solutions to advance the goals of modern organizational environments Established leading experts and influential young researchers present introductions to the current status and future directions of research and give in depth perspectives on the contributions of academic research to the practice of IS and IT development use and management

Microprocessor Technology J S Anderson,2012-08-21 Microprocessor Technology provides a complete introduction to the subject of microprocessor technology using the Z80 and 6502 processors An emphasis on fault finding and repair makes this an ideal text for servicing courses including City Guilds 2240 in the UK microelectronics units on BTEC National Advanced GNVQ and City Guilds 7261 Microprocessor Technology It will also provide a refresher course for those on bridging and micro appreciation courses where a measure of comparative studies is required Clear and concise explanations are supported by worked examples tutorials long answer questions and assignments giving students the opportunity to test their knowledge as they progress through the course as well as providing an essential revision tool in the run up to exams

Microcontrollers Julio Sanchez,Maria P. Canton,2018-10-08 Focusing on the line of high performance microcontrollers offered by Microchip Microcontrollers High Performance Systems and Programming discusses the practical factors that make the high performance PIC series a better choice than their mid range predecessors for most systems However one consideration in favor of the mid range devices is the abundance of published application circuits and code samples This book fills that gap Possibility of programming high performance microcontrollers in a high level language C language Source code compatibility with PIC16 microcontrollers which facilitates code migration from mid range to PIC18 devices Pin compatibility of some PIC18 devices with their PIC16 predecessors making the reuse of PIC16 controllers in circuits originally designed for mid range hardware possible Designed to be functional and hands on this book provides sample circuits with their corresponding programs It clearly depicts and labels the circuits in a way that is easy to follow and reuse Each circuit includes a parts list of the resources and components required for its fabrication The book matches sample programs to the individual circuits discusses general programming techniques and includes appendices with useful information

Microcontroller Programming Julio Sanchez,Maria P. Canton,2018-10-03 From cell phones and television remote controls to automobile engines and spacecraft microcontrollers are everywhere Programming these prolific devices is a much more involved and integrated task than it is for general purpose microprocessors microcontroller

programmers must be fluent in application development systems programming and I O operation as well as memory management and system timing Using the popular and pervasive mid range 8 bit Microchip PIC as an archetype Microcontroller Programming offers a self contained presentation of the multidisciplinary tools needed to design and implement modern embedded systems and microcontrollers The authors begin with basic electronics number systems and data concepts followed by digital logic arithmetic conversions circuits and circuit components to build a firm background in the computer science and electronics fundamentals involved in programming microcontrollers For the remainder of the book they focus on PIC architecture and programming tools and work systematically through programming various functions modules and devices Helpful appendices supply the full mid range PIC instruction set as well as additional programming solutions a guide to resistor color codes and a concise method for building custom circuit boards Providing just the right mix of theory and practical guidance Microcontroller Programming The Microchip PIC is the ideal tool for any amateur or professional designing and implementing stand alone systems for a wide variety of applications **Bird's Higher**

Engineering Mathematics John Bird,2021-03-25 Higher Engineering Mathematics has helped thousands of students to succeed in their exams by developing problem solving skills It is supported by over 600 practical engineering examples and applications which relate theory to practice The extensive and thorough topic coverage makes this a solid text for undergraduate and upper level vocational courses Its companion website provides resources for both students and lecturers including lists of essential formulae and full solutions to all 2 000 further questions contained in the 277 practice exercises and illustrations and answers to revision tests for adopting course instructors **Analog Electronics Applications**

Hernando Lautaro Fernandez-Canque,2016-09-19 This comprehensive text discusses the fundamentals of analog electronics applications design and analysis Unlike the physics approach in other analog electronics books this text focuses on an engineering approach from the main components of an analog circuit to general analog networks Concentrating on development of standard formulae for conventional analog systems the book is filled with practical examples and detailed explanations of procedures to analyze analog circuits The book covers amplifiers filters and op amps as well as general applications of analog design *NASA Tech Brief*,1970 **Cumulative Index to NASA Tech Briefs** United States.

National Aeronautics and Space Administration,1970 [Bird's Engineering Mathematics](#) John Bird,2021-03-15 Now in its ninth edition Bird s Engineering Mathematics has helped thousands of students to succeed in their exams Mathematical theories are explained in a straightforward manner supported by practical engineering examples and applications to ensure that readers can relate theory to practice Some 1 300 engineering situations problems have been flagged up to help demonstrate that engineering cannot be fully understood without a good knowledge of mathematics The extensive and thorough topic coverage makes this a great text for a range of level 2 and 3 engineering courses such as for aeronautical construction electrical electronic mechanical manufacturing engineering and vehicle technology including for BTEC First

National and Diploma syllabuses City Guilds Technician Certificate and Diploma syllabuses and even for GCSE and A level revision Its companion website at www.routledge.com/cw/bird provides resources for both students and lecturers including full solutions for all 2 000 further questions lists of essential formulae multiple choice tests and illustrations as well as full solutions to revision tests for course instructors

Systems Modeling and Computer Simulation Naim Kheir,2018-12-12 This second edition describes the fundamentals of modelling and simulation of continuous time discrete time discrete event and large scale systems Coverage new to this edition includes a chapter on non linear systems analysis and modelling complementing the treatment of of continuous time and discrete time systems and a chapter on the computer animation and visualization of dynamical systems motion

Safety of Computer Control Systems 1985 (Safecomp '85) W. J. Quirk,2016-06-03 *Safety of Computer Control Systems 1985 Safecomp 85 Achieving Safe Real Time Computer Systems* presents the proceedings of the Fourth IFAC Workshop held in Como Italy on October 1 3 1985 This book discusses a wide range of topics ranging from direct process control through robotics to operator assistance Organized into 28 chapters this compilation of papers begins with an overview of the implementation of atomic actions by means of concurrent programming constructs This text then examines the safety related applications that usually demand the provision of redundant resources within the system Other chapters consider the safe performance of an industrial robot system that relies on several factors This book discusses as well the increasing demand for Computer Assisted Decision Making CADM both in engineering and service industries The final chapter deals with the ways of reducing the effects of an error introduced during the design of a program This book is a valuable resource for software engineers

[Computers Helping People with Special Needs, Part I](#) Klaus Miesenberger,Joachim Klaus,Wolfgang Zagler,Arthur Karshmer,2010-07-05 Welcome to the Proceedings of ICCHP 2010 We were proud to welcome participants from more than 40 countries from all over the world to this year s ICCHP Since the late 1980s it has been ICCHP s mission to support and reflect development in the field of Assistive Technologies eAccessibility and eInclusion With a focus on scientific quality ICCHP has become an important reference in our field The 2010 conference and this collection of papers once again fulfilled this mission The International Programme Committee comprising 106 experts from all over the world selected 147 full and 44 short papers out of 328 abstracts submitted to ICCHP This acceptance ratio of about half of the submissions demonstrates our strict pursuit of scientific quality both of the programme and in particular of the proceedings in your hands An impressive number of experts agreed to organize Special Thematic Sessions STS for ICCHP 2010 These STS help to bring the meeting into sharper focus in several key areas In turn this deeper level of focus helps to collate a state of the art and mainstream technical social cultural and political developments

Cambridge International AS and A Level Computer Science Coursebook Sylvia Langfield,Dave Duddell,2015-12-17 *Cambridge International AS and A Level Computer Science Coursebook* delivers an accessible guide to theoretical and practical skills in Computer Science with a clear progression of tasks that help to consolidate and develop

knowledge Cambridge International AS and A Level Computer Science Coursebook offers students detailed descriptions of the concepts reinforced with examples that outline complex subject matter in a clear way Alongside fundamental definitions higher level programming skills are developed through the explanation of processes and consolidated by practical exam type questions for students to attempt Publisher description *Principles of Superconducting Quantum Computers* Daniel D. Stancil, Gregory T. Byrd, 2022-04-05 Explore the intersection of computer science physics and electrical and computer engineering with this discussion of the engineering of quantum computers In *Principles of Superconducting Quantum Computers* a pair of distinguished researchers delivers a comprehensive and insightful discussion of the building of quantum computing hardware and systems Bridging the gaps between computer science physics and electrical and computer engineering the book focuses on the engineering topics of devices circuits control and error correction Using data from actual quantum computers the authors illustrate critical concepts from quantum computing Questions and problems at the end of each chapter assist students with learning and retention while the text offers descriptions of fundamentals concepts ranging from the physics of gates to quantum error correction techniques The authors provide efficient implementations of classical computations and the book comes complete with a solutions manual and demonstrations of many of the concepts discussed within It also includes A thorough introduction to qubits gates and circuits including unitary transformations single qubit gates and controlled two qubit gates Comprehensive explorations of the physics of single qubit gates including the requirements for a quantum computer rotations two state systems and Rabi oscillations Practical discussions of the physics of two qubit gates including tunable qubits SWAP gates controlled NOT gates and fixed frequency qubits In depth examinations of superconducting quantum computer systems including the need for cryogenic temperatures transmission lines S parameters and more Ideal for senior level undergraduate and graduate students in electrical and computer engineering programs *Principles of Superconducting Quantum Computers* also deserves a place in the libraries of practicing engineers seeking a better understanding of quantum computer systems **Conceptualizing Digital Responsibility for the Information Age** Daniel Beverungen, Christiane Lehrer, Matthias Trier, 2025-05-12 This book is the first volume of proceedings from the 18th International Conference on Wirtschaftsinformatik held in Paderborn Germany in 2023 In the context of the global trend toward digitalization it presents the results of innovative high quality research in the field of information systems and digital transformation The book covers a broad range of topics including digital innovation business analytics artificial intelligence and IT strategy each of which has and will continue to have significant impacts on companies individuals and societies alike [Talking with Computers](#) Thomas Dean, 2004-03-15 Lively essays exploring topics from digital logic and machine language to artificial intelligence and searching the World Wide Web **The Analysis and Design of Linear Circuits** Roland E. Thomas, Albert J. Rosa, Gregory J. Toussaint, 2023-04-25 THE ANALYSIS AND DESIGN OF LINEAR CIRCUITS Textbook covering the fundamentals of circuit analysis and design now with additional examples

exercises and problems The Analysis and Design of Linear Circuits 10th Edition taps into engineering students desire to explore create and put their learning into practice by presenting linear circuit theory with an emphasis on circuit analysis and how to evaluate competing designs The text integrates active and passive linear circuits allowing students to understand and design a wide range of circuits solve analytical problems and devise solutions to problems The authors use both phasors and Laplace techniques for AC circuits enabling better understanding of frequency response filters AC power and transformers The authors have increased the integration of MATLAB and Multisim in the text and revised content to be up to date with technology when appropriate The text uses a structured pedagogy where objectives are stated in each chapter opener and examples and exercises are developed so that the students achieve mastery of each objective The available problems revisit each objective and a suite of problems of increasing complexity task the students to check their understanding Topics covered in The Analysis and Design of Linear Circuits 10th Edition include Basic circuit analysis including element connection combined and equivalent circuits voltage and current division and circuit reduction Circuit analysis techniques including node voltage and mesh current analysis linearity properties maximum signal transfer and interface circuit design Signal waveforms including the step exponential and sinusoidal waveforms composite waveforms and waveform partial descriptors Laplace transforms including signal waveforms and transforms basic properties and pairs and pole zero and Bode diagrams Network functions including network functions of one and two port circuits impulse response step response and sinusoidal response An appendix that lists typical RLC component values and tolerances along with a number of reference tables and OP AMP building blocks that are foundational for analysis and design With an overarching goal of instilling smart judgment surrounding design problems and innovative solutions The Analysis and Design of Linear Circuits 10th Edition provides inspiration and motivation alongside an essential knowledge base The text is designed for two semesters and is complemented with robust supplementary material to enhance various pedagogical approaches including an Instructors Manual which features an update on how to use the book to complement the 2022 23 ABET accreditation criteria 73 lesson outlines using the new edition additional Instructor Problems and a Solutions Manual These resources can be found on the companion website <https://bcs.wiley.com> he bcs Books action index bcsId 12533 itemId 1119913020

Analogue Electronic Circuits and Systems Amitava Basak,1991-11-29 This book is an undergraduate textbook for students of electrical and electronic engineering It is written with second year students particularly in mind and discusses analogue circuits used in various fields

Analog Computer Techniques Clarence L. Johnson,1956

Adopting the Beat of Term: An Mental Symphony within **How To Draw Circuit Diagram In Computer**

In a world eaten by displays and the ceaseless chatter of fast connection, the melodic beauty and emotional symphony created by the published term usually fade into the background, eclipsed by the persistent sound and interruptions that permeate our lives. However, nestled within the pages of **How To Draw Circuit Diagram In Computer** a charming fictional value filled with fresh thoughts, lies an immersive symphony waiting to be embraced. Constructed by an elegant musician of language, this charming masterpiece conducts viewers on a mental journey, well unraveling the hidden tunes and profound influence resonating within each cautiously constructed phrase. Within the depths of the emotional examination, we can investigate the book is central harmonies, analyze its enthralling publishing style, and surrender ourselves to the profound resonance that echoes in the depths of readers souls.

<https://staging.conocer.cide.edu/results/uploaded-files/fetch.php/La%20Plume%20Du%20Pheacutenix%20Livre%20Iii%20Zea%20cutenith.pdf>

Table of Contents How To Draw Circuit Diagram In Computer

1. Understanding the eBook How To Draw Circuit Diagram In Computer
 - The Rise of Digital Reading How To Draw Circuit Diagram In Computer
 - Advantages of eBooks Over Traditional Books
2. Identifying How To Draw Circuit Diagram In Computer
 - Exploring Different Genres
 - Considering Fiction vs. Non-Fiction
 - Determining Your Reading Goals
3. Choosing the Right eBook Platform
 - Popular eBook Platforms
 - Features to Look for in an How To Draw Circuit Diagram In Computer
 - User-Friendly Interface
4. Exploring eBook Recommendations from How To Draw Circuit Diagram In Computer

- Personalized Recommendations
 - How To Draw Circuit Diagram In Computer User Reviews and Ratings
 - How To Draw Circuit Diagram In Computer and Bestseller Lists
5. Accessing How To Draw Circuit Diagram In Computer Free and Paid eBooks
 - How To Draw Circuit Diagram In Computer Public Domain eBooks
 - How To Draw Circuit Diagram In Computer eBook Subscription Services
 - How To Draw Circuit Diagram In Computer Budget-Friendly Options
 6. Navigating How To Draw Circuit Diagram In Computer eBook Formats
 - ePub, PDF, MOBI, and More
 - How To Draw Circuit Diagram In Computer Compatibility with Devices
 - How To Draw Circuit Diagram In Computer Enhanced eBook Features
 7. Enhancing Your Reading Experience
 - Adjustable Fonts and Text Sizes of How To Draw Circuit Diagram In Computer
 - Highlighting and Note-Taking How To Draw Circuit Diagram In Computer
 - Interactive Elements How To Draw Circuit Diagram In Computer
 8. Staying Engaged with How To Draw Circuit Diagram In Computer
 - Joining Online Reading Communities
 - Participating in Virtual Book Clubs
 - Following Authors and Publishers How To Draw Circuit Diagram In Computer
 9. Balancing eBooks and Physical Books How To Draw Circuit Diagram In Computer
 - Benefits of a Digital Library
 - Creating a Diverse Reading Collection How To Draw Circuit Diagram In Computer
 10. Overcoming Reading Challenges
 - Dealing with Digital Eye Strain
 - Minimizing Distractions
 - Managing Screen Time
 11. Cultivating a Reading Routine How To Draw Circuit Diagram In Computer
 - Setting Reading Goals How To Draw Circuit Diagram In Computer
 - Carving Out Dedicated Reading Time
 12. Sourcing Reliable Information of How To Draw Circuit Diagram In Computer

- Fact-Checking eBook Content of How To Draw Circuit Diagram In Computer
 - Distinguishing Credible Sources
13. Promoting Lifelong Learning
- Utilizing eBooks for Skill Development
 - Exploring Educational eBooks
14. Embracing eBook Trends
- Integration of Multimedia Elements
 - Interactive and Gamified eBooks

How To Draw Circuit Diagram In Computer Introduction

How To Draw Circuit Diagram In Computer Offers over 60,000 free eBooks, including many classics that are in the public domain. Open Library: Provides access to over 1 million free eBooks, including classic literature and contemporary works. How To Draw Circuit Diagram In Computer Offers a vast collection of books, some of which are available for free as PDF downloads, particularly older books in the public domain. How To Draw Circuit Diagram In Computer : This website hosts a vast collection of scientific articles, books, and textbooks. While it operates in a legal gray area due to copyright issues, its a popular resource for finding various publications. Internet Archive for How To Draw Circuit Diagram In Computer : Has an extensive collection of digital content, including books, articles, videos, and more. It has a massive library of free downloadable books. Free-eBooks How To Draw Circuit Diagram In Computer Offers a diverse range of free eBooks across various genres. How To Draw Circuit Diagram In Computer Focuses mainly on educational books, textbooks, and business books. It offers free PDF downloads for educational purposes. How To Draw Circuit Diagram In Computer Provides a large selection of free eBooks in different genres, which are available for download in various formats, including PDF. Finding specific How To Draw Circuit Diagram In Computer, especially related to How To Draw Circuit Diagram In Computer, might be challenging as theyre often artistic creations rather than practical blueprints. However, you can explore the following steps to search for or create your own Online Searches: Look for websites, forums, or blogs dedicated to How To Draw Circuit Diagram In Computer, Sometimes enthusiasts share their designs or concepts in PDF format. Books and Magazines Some How To Draw Circuit Diagram In Computer books or magazines might include. Look for these in online stores or libraries. Remember that while How To Draw Circuit Diagram In Computer, sharing copyrighted material without permission is not legal. Always ensure youre either creating your own or obtaining them from legitimate sources that allow sharing and downloading. Library Check if your local library offers eBook lending services. Many libraries have digital catalogs where you can borrow How To Draw Circuit Diagram In Computer eBooks for free, including popular titles. Online Retailers: Websites

like Amazon, Google Books, or Apple Books often sell eBooks. Sometimes, authors or publishers offer promotions or free periods for certain books. Authors Website Occasionally, authors provide excerpts or short stories for free on their websites. While this might not be the How To Draw Circuit Diagram In Computer full book, it can give you a taste of the authors writing style. Subscription Services Platforms like Kindle Unlimited or Scribd offer subscription-based access to a wide range of How To Draw Circuit Diagram In Computer eBooks, including some popular titles.

FAQs About How To Draw Circuit Diagram In Computer Books

What is a How To Draw Circuit Diagram In Computer PDF? A PDF (Portable Document Format) is a file format developed by Adobe that preserves the layout and formatting of a document, regardless of the software, hardware, or operating system used to view or print it. **How do I create a How To Draw Circuit Diagram In Computer PDF?** There are several ways to create a PDF: Use software like Adobe Acrobat, Microsoft Word, or Google Docs, which often have built-in PDF creation tools. Print to PDF: Many applications and operating systems have a "Print to PDF" option that allows you to save a document as a PDF file instead of printing it on paper. Online converters: There are various online tools that can convert different file types to PDF. **How do I edit a How To Draw Circuit Diagram In Computer PDF?** Editing a PDF can be done with software like Adobe Acrobat, which allows direct editing of text, images, and other elements within the PDF. Some free tools, like PDFescape or Smallpdf, also offer basic editing capabilities. **How do I convert a How To Draw Circuit Diagram In Computer PDF to another file format?** There are multiple ways to convert a PDF to another format: Use online converters like Smallpdf, Zamzar, or Adobe Acrobats export feature to convert PDFs to formats like Word, Excel, JPEG, etc. Software like Adobe Acrobat, Microsoft Word, or other PDF editors may have options to export or save PDFs in different formats. **How do I password-protect a How To Draw Circuit Diagram In Computer PDF?** Most PDF editing software allows you to add password protection. In Adobe Acrobat, for instance, you can go to "File" -> "Properties" -> "Security" to set a password to restrict access or editing capabilities. Are there any free alternatives to Adobe Acrobat for working with PDFs? Yes, there are many free alternatives for working with PDFs, such as: LibreOffice: Offers PDF editing features. PDFsam: Allows splitting, merging, and editing PDFs. Foxit Reader: Provides basic PDF viewing and editing capabilities. How do I compress a PDF file? You can use online tools like Smallpdf, ILovePDF, or desktop software like Adobe Acrobat to compress PDF files without significant quality loss. Compression reduces the file size, making it easier to share and download. Can I fill out forms in a PDF file? Yes, most PDF viewers/editors like Adobe Acrobat, Preview (on Mac), or various online tools allow you to fill out forms in PDF files by selecting text fields and entering information. Are there any restrictions when working with PDFs? Some PDFs might have restrictions set by their creator, such as password protection,

editing restrictions, or print restrictions. Breaking these restrictions might require specific software or tools, which may or may not be legal depending on the circumstances and local laws.

Find How To Draw Circuit Diagram In Computer :

la plume du pheacutenix livre iii zeacutenith

la petite noblesse de lintelligence

la sociologie criminelle

la proprieacuteteacute litteacuteraire et artistique laquo que saisje raquo ndeg

la mort de pregraves

la morale contemporaine tome

la meacutesange teacutequitoi

la trageacutedie du preacutesident scegravenes de la vie politique

la veacuteriteacute en musique

la vie veacuteritable du citoyen jean rosignol annoteacute

la paix naura pas lieu israeumllpalestine

la sexualiteacute infantile psychologie

la mort de saint louis

la vieille dame et ses gacireteaux

la truiteacute de riviegraverer pecircche agrave la mouche artificielle

How To Draw Circuit Diagram In Computer :

the glory of heaven the truth about heaven angels and eternal life - Sep 04 2023

web in this newly updated and expanded edition pastor john macarthur takes us through the pages of scripture exploring the wonders of heaven and the truth about angels and eternal life while addressing current debates and issues

the glory of god grace to you - Jul 22 2022

web in matthew chapter 24 we get a picture of the glory of god coming in the future in matthew 24 it says immediately after the tribulation in those days the sun will be darkened verse 29 and the moon will not give its light the stars will fall from heaven the powers of the heavens will be shaken

the glory of heaven second edition cru media ministry - Jul 02 2023

web jan 3 2023 author john f macarthur description what the bible has to say about heaven from pastor john macarthur a number of recent new york times bestsellers have readers thinking about the reality of heaven yet their pictures of life in heaven cover the range from comical to curious from mystical to fictitious with maybe some

the glory of heaven the truth about heaven angels and - Aug 03 2023

web in this book pastor john macarthur takes you through those very scriptures and opens your heart to the realities of heaven angels and eternal life it s a joyous study of every christian s future a future that you can and should anticipate

the glory of heaven by john macarthur open library - Jan 28 2023

web may 22 1998 the only one who knows the glorious truth about heaven is god and the only place to find that truth is in his word in this book pastor john macarthur takes you through those very scriptures and opens your heart to the realities of heaven

what do angels do crossway articles - Feb 14 2022

web jan 6 2023 the glory of heaven john macarthur this in depth look at what the bible has to say about heaven angels and the afterlife gives christians an encouraging glimpse of the home that awaits them as ministering spirits who minister to the elect angels are no doubt active in human affairs though usually unseen

glory of heaven by john macarthur overdrive - Aug 23 2022

web dec 10 2015 glory of heaven audiobook unabridged the truth about heaven angels and eternal life by john macarthur listen to a sample format audiobook edition unabridged author john macarthur publisher christianaudio com release 10 december 2015 subjects religion spirituality nonfiction

the glory of heaven google books - Apr 30 2023

web the only one who knows the glorious truth about heaven is god and the only place to find that truth is in his word in this book pastor john macarthur takes you through those very scriptures and opens your heart to the realities of heaven angels and eternal life it s a joyous study of every christian s future

the glory of heaven the truth about heaven angels and - Mar 30 2023

web john macarthur is the pastor teacher of grace community church in sun valley california where he has served since 1969 he is known around the world for his verse by verse expository preaching and his pulpit ministry via his daily radio program grace to you he has also written or edited nearly four hundred books and study guides

the promise of heaven grace to you - Dec 27 2022

web aug 14 2009 by john macarthur reset pdf what will heaven be like heaven is a place more wonderful than we can ever begin to imagine it is a place of joy and beauty of peace and happiness that will never end why because heaven is also a place where there will be no sin or suffering no sorrow or pain

[john christian library](#) - Mar 18 2022

web macarthur john 1939 the glory of heaven the truth about heaven angels and eternal life john macarthur second edition with new material addressing the current debate and issues p cm includes bibliographical references and index isbn 978 1 4335 3868 1 1 heaven christianity 2 heaven biblical teaching 3 angels biblical

[the glory of heaven macarthur john 9781857922998](#) - Nov 25 2022

web jan 1 2001 the glory of heaven paperback january 1 2001 by john macarthur author 52 ratings 4 2 on goodreads 491 ratings see all formats and editions audiobook 0 00 free with your audible trial hardcover 8 99 44 used from 1 92 4 new from 11 00 2 collectible from 24 00 paperback 16 36 7 used from 2 34 mass market paperback

the glory of heaven the truth about heaven angels and - Feb 26 2023

web in this book pastor john macarthur takes you through those very scriptures and opens your heart to the realities of heaven angels and eternal life it s a joyous study of every christian s future a future that you can and should anticipate come along with this best selling author for an in depth look at where you ll spend eternity

[the glory of heaven second edition by john macarthur](#) - Apr 18 2022

web isbn 9781433538711 title the glory of heaven second edition author john macarthur imprint crossway language english download file formats this ebook is available in digital rights management drm the publisher has supplied this book in encrypted form which means that you need to install free software in order to unlock and

the glory of heaven the truth about heaven angels and - Jun 01 2023

web in this newly updated and expanded edition pastor john macarthur takes us through the pages of scripture exploring the wonders of heaven and the truth about angels and eternal life while addressing current debates and issues come along with this best selling author for an in depth look at every christian s future heaven our eternal home

glory of heaven by john macarthur bible portal - Jun 20 2022

web by john macarthur if you re going to call it home for eternity don t you want to know what it s like our pictures of life in heaven cover the range from comical to curious from mystical to fictitious with maybe some biblical truth thrown in

the glory of heaven grace to you - Oct 05 2023

web john macarthur critiques those claims and offers an in depth biblical explanation of god s eternal city in a fully revised new edition of the glory of heaven you ll discover what the bible really teaches about your glorious future home

the glory of heaven the truth about heaven angels and eternal - Oct 25 2022

web the glory of heaven the truth about heaven angels and eternal life by macarthur john f publication date 1997 topics heaven christianity heaven biblical teaching angels biblical teaching publisher fearn christian focus

[the glory of heaven by john macarthur audible com au](#) - May 20 2022

web the glory of heaven the truth about heaven angels and eternal life by john macarthur narrated by tom parks length 7 hrs and 50 mins 5 0 2 ratings free with 30 day trial a 30 day trial plus your first audiobook free 1 credit month to buy any title you like yours to keep

the glory of heaven by john macarthur audiobook audible com - Sep 23 2022

web the glory of heaven the truth about heaven angels and eternal life by john macarthur narrated by tom parks length 7 hrs and 50 mins 4 8 175 ratings try for 0 00 access a growing selection of included audible originals audiobooks and podcasts you will get an email reminder before your trial ends

Über das glück vorwort von ludwig marcuse detebe - Aug 15 2023

web Über das glück vorwort von ludwig marcuse detebe epikur vitali david gindro séverine isbn 9783257241624 kostenloser versand für alle bücher mit versand und verkauf duch amazon

uber das gluck detebe sam arabtravelers com - Feb 26 2022

web uber das gluck detebe 3 3 kritische fragen zu einem der wichtigsten autoren der deutschen nachkriegslite ratur stellen und dabei briefe und nachlaßdoku mente einbeziehen die andersch studien gewinnen an reiz durch den zweiten blick den englische belgische und italienische wissenschaftl er auf die im europäischen rahmen

über das glück detebe by epikur david vitali séverine gindro - Oct 05 2022

web jun 13 2023 über das glück detebe de epikur vitali david may 28th 2020 über das glück detebe epikur vitali david gindro séverine isbn 9783257241624 kostenloser versand für alle bücher mit versand und verkauf duch

uber das gluck detebe help environment harvard edu - Nov 06 2022

web we offer uber das gluck detebe and numerous books collections from fictions to scientific research in any way among them is this uber das gluck detebe that can be your partner Über das glück epicurus philosoph griechenland 2011 die küste der barbaren ross macdonald 1976

göçebe altuğ gümrükçü 1000kitap - Sep 04 2022

web göçebe altuğ gümrükçü okuyacaklarıma ekle 9 3 10 4 kişi 11 okunma 3 beğeni 523 gösterim duvar genel bakış İncelemeler alıntılar İletiler fiyatlar okurlar diğer baskılar benzer kitaplar daha fazla göster

uber das gluck detebe pdf hipertexto - Jul 02 2022

web uber das gluck detebe pdf trilhoscaao web connections if you mean to download and install the uber das gluck detebe pdf it is totally simple then previously currently we extend the link to purchase and make bargains to download and install uber das gluck detebe pdf consequently simple uber das gluck detebe jupyterhub bigelow

Über das glück detebe 1 auflage kindle ausgabe amazon de - Jul 14 2023

web kleines buch über leben und wirken eines oft unterschätzten zumindest missverstandenen philosophen der autor führt

wohlwollend und mit geschichtlicher kontextsetzung in das epikureische denken ein die gesammelten zitate laden im zweiten teil zur vertiefung ein gut zum verschenken

[über das glück detebe by epikur david vitali séverine gindro](#) - Mar 10 2023

web jun 19 2023 über das glück detebe by epikur david vitali séverine gindro digital resources find digital datasheets resources crispin mal schmetterlingspoesie band 1 100 gedichte das labyrinth der einsamkeit essay suhrkamp taschenbuch pdf uber das gluck betrachtungen und gedichte suhrkamp taschenbuch download where you usually

Über das glück detebe german edition kindle edition by - Jun 13 2023

web mar 20 2019 Über das glück detebe german edition kindle edition by epikur vitali david gindro séverine download it once and read it on your kindle device pc phones or tablets use features like bookmarks note taking and highlighting while reading Über das glück detebe german edition

Über das glück detebe german edition ebook amazon com au - Feb 09 2023

web Über das glück detebe german edition ebook epikur vitali david gindro séverine amazon com au books

über das glück detebe by epikur david vitali séverine gindro - Dec 27 2021

web jun 17 2023 pdf uber das gluck betrachtungen und gedichte suhrkamp download meditationen detebe pdf free malakaistephen digital resources find digital datasheets resources gesamtverzeichnis 2011 scribd über das glück detebe de epikur vitali david über das glück detebe ebook epikur vitali david digital resources find digital datasheets

über das glück detebe by epikur david vitali séverine gindro - May 12 2023

web wenn das gluck uns findet neuengland 3 wenn das herz bricht die beteiligng der psychе bei der entstehung eines herzinfarktes oder eines akuten wer bin ich indiskrete fragen detebe eine endlose geschichte 1997 d etebe 22926 208 s 9 90 sfr 14 90 a 10 20 auch als lieferbar hammett dashiell i das dingsbums küken und andere detektivstories 1981

düzce güven seyahat online otobüs bileti obilet com - Apr 30 2022

web tüm düzce güven seyahat online otobüs biletleri için obilet com da bilet sorgula ve en ucuz otobüs bileti alımını güvenle yap ayrıca bu sayfada tüm düzce güven seyahat Şube ve telefonları hakkında bilgi alabilirsiniz

[uber das gluck detebe pdf help environment harvard edu](#) - Apr 11 2023

web it is your unquestionably own times to action reviewing habit along with guides you could enjoy now is uber das gluck detebe below lit 1984 grosskotz mathias nolte 1984 in het revolutionaire jaar 1968 komt een jongeman in parijs aan met het vaste voornemen zich niet aan te passen das diogenes lesebuch klassischer deutscher erzähler

uber das gluck detebe pdf 2023 voto uncal edu - Mar 30 2022

web uber das gluck detebe pdf upload jason u grant 2 6 downloaded from voto uncal edu br on august 18 2023 by jason u grant the people behind the drug trade they turn out to include not only the bottom feeding drug gangs but bankers and

politicians very high up the basel food chain the blue hammer ross macdonald 2010 11 17 the desert air

gurbete düşmek deyiminin anlamı gurbete düşmek ne demek - Jun 01 2022

web deyimin kısaca anlamı açıklaması ve örnek cümleleri aile ocağından uzak bir yere gitmek ben gurbete düşeli altı ay oldu gurbete düşmek istemediği için evlenip ayrı eve de

ali ekber Çiçek yolumuz gurbete düştü lp full albüm - Aug 03 2022

web jan 22 2017 anadolu müzikdownload linkleri itunes itunes apple com tr album yolumuz gurbete dustu id826353446 1 trspotify open spotify com album 4bf90

ali ekber Çiçek yolumuz gurbete düştü İzlesene com - Jan 28 2022

web jul 18 2017 yolumuz gurbete düştü hazin hazin ağlar gönül araya hasretlik girdi hazin hazin ağlar gönül garip garip ağlar gönül dertli dertli ağlar gönül bu mudur senin eserin sinemi yaktı kederin Öürsem olmaz haberin

uber das gluck detebe help environment harvard edu - Jan 08 2023

web under as capably as evaluation uber das gluck detebe what you considering to read bibliographie der deutschsprachigen frauenliteratur 1997 reate kroll 2000 04 ohnmacht und grössenwahn bernhard lassahn 1983 Über Čechov peter urban 1988 lustfahrten ins idyllenland franz xaver bronner 1833 oeconomische nachrichten nebst nöthigem

amazon co uk customer reviews Über das glück detebe - Dec 07 2022

web find helpful customer reviews and review ratings for Über das glück detebe german edition at amazon com read honest and unbiased product reviews from our users

introducing the emblems of the infinite king podcast - Nov 05 2022

web jan 1 2020 linda galella vine voice basic tenets of christianity are arranged with reviewed in the united states on september 28 2019 7 keys that are used to build a

emblems of the infinite king enter the knowledge of the alibris - Jan 27 2022

web emblems of the infinite king enter the knowledge of the living god 24 99 in an imaginative journey through the grand story of the universe this book introduces kids

emblems of the infinite king j ryan lister 2019 - Mar 29 2022

web emblems of the infinite king trailer in an imaginative journey through the grand story of the universe this book introduces kids ages 10 to god s radiant beauty using the main

emblems of the infinite king enter the knowledge of the living god - Aug 02 2022

web in an imaginative journey through the grand story of the universe this book introduces kids ages 10 to god s radiant beauty using the main categories of systematic theology god

emblems of the infinite king enter the knowledge of the living - Oct 04 2022

web abebooks com emblems of the infinite king enter the knowledge of the living god 9781433563386 by lister j ryan and a great selection of similar new used and

[introducing emblems of the infinite king crossway articles](#) - Dec 06 2022

web oct 15 2019 over the course of eight days explore each of these foundational doctrines as you follow along on a journey through scripture adapted from emblems of the infinite

emblems of the infinite king enter the knowledge of the living - May 11 2023

web emblems of the infinite king enter the knowledge of the living god audible audiobook unabridged j ryan lister author narrator crossway publisher 4 9 184 ratings see

emblems of the infinite king enter the knowledge of the living - Feb 25 2022

web full of captivating illustrated emblems meant to symbolize key facets of christian doctrine this unique book seeks to bring theological truths from words to life the creative design

emblems of the infinite king enter the knowledge of the living - Jul 01 2022

web nov 4 2019 emblems of the infinite king enter the knowledge of the living god will be strategically placed in my section devoted to biblical theology lister s book will stand

[emblems of the infinite king enter the knowledge of the](#) - Jun 12 2023

web oct 15 2019 emblems of the infinite king is systematic theology with a narrative approach that carefully weaves together the doctrines of the christian faith making

emblems of the infinite king enter the knowledge of the living - Jan 07 2023

web full of captivating illustrated emblems meant to symbolize key facets of christian doctrine this unique book seeks to bring theological truths from words to life the creative design

emblems of the infinite king enter the knowledge of the living - Nov 24 2021

[emblems of the infinite king an 8 day reading plan](#) - Sep 03 2022

web in an imaginative journey through the grand story of the universe this book introduces kids ages 10 to god s radiant beauty using the main categories of systematic theology god

emblems of the infinite king enter the knowledge of the - Mar 09 2023

web oct 12 2019 in an imaginative journey through the grand story of the universe emblems of the infinite king enter the knowledge of the living god by j ryan lister introduces

[emblems of the infinite king enter the knowledge of the living god](#) - Feb 08 2023

web nov 14 2020 narrated by ryan lister author of emblems of the infinite king enter the knowledge of the living god and

featuring an original score this 10 episode podcast is a
emblems of the infinite king enter the knowledge of the living - Dec 26 2021

emblems of the infinite king enter the knowledge of the living - May 31 2022
web oct 16 2019 *emblems of the infinite king enter the knowledge of the living god* by j ryan lister the synopsis in an
imaginative journey through the grand story of the
emblems of the infinite king enter the knowledge of the living - Oct 24 2021

emblems of the infinite king enter the knowledge of the - Jul 13 2023
web buy *emblems of the infinite king enter the knowledge of the living god* by lister j ryan benedetto anthony m isbn
9781433563386 from amazon s book store free
emblems of the infinite king enter the knowledge of the - Apr 10 2023
web *emblems of the infinite king enter the knowledge of the living god* lister j ryan benedetto anthony m 9781433563386
books amazon ca

emblems of the infinite king enter the knowledge of the - Aug 14 2023
web oct 15 2019 retail price 24 99 in an imaginative journey through the grand story of the universe this book introduces
kids ages 10 to god s radiant beauty using the main

emblems of the infinite king lifeway - Apr 29 2022
web buy *emblems of the infinite king enter the knowledge of the living god* by j ryan lister anthony m benedetto online at
alibris we have new and used copies available in 1