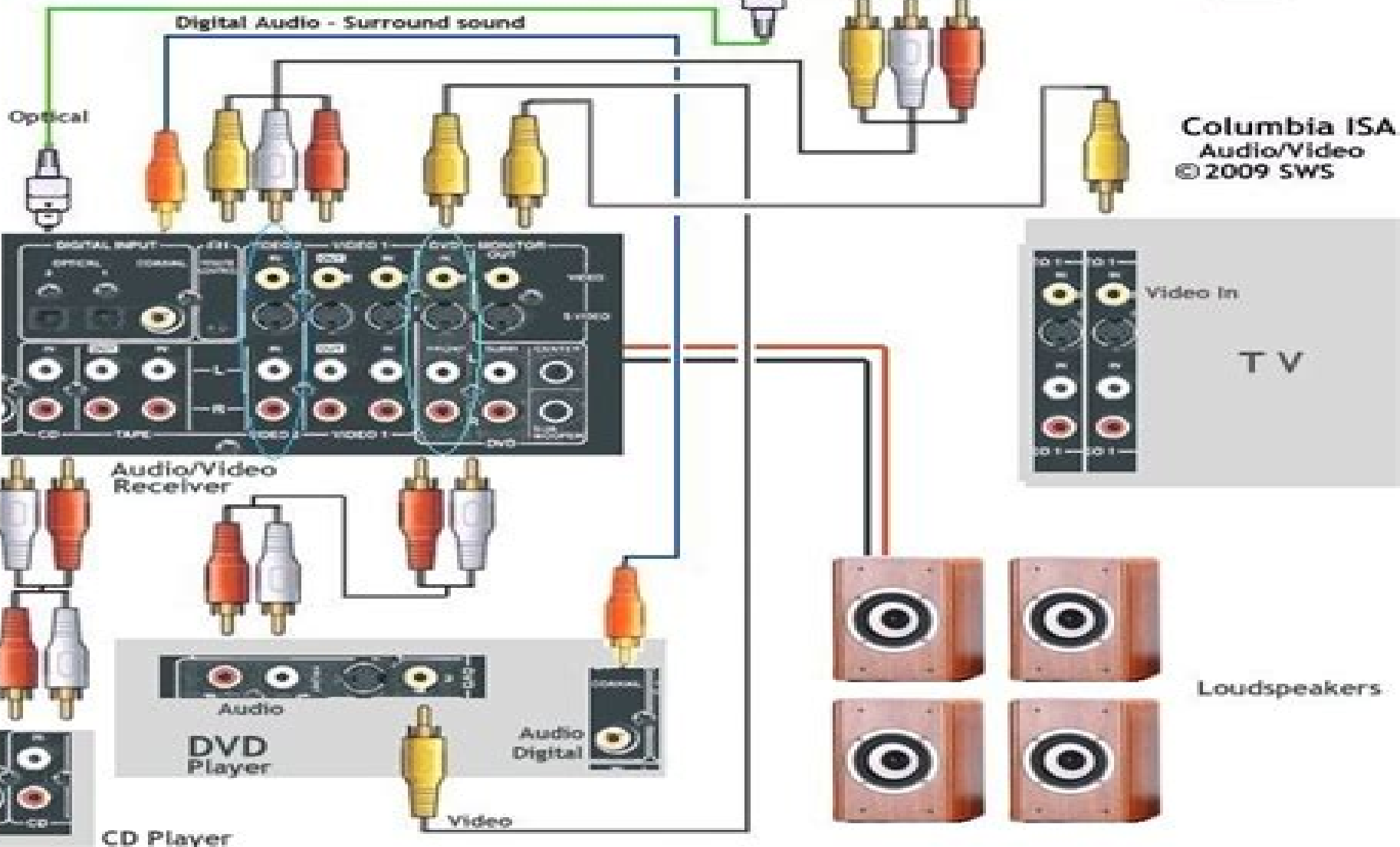


PACE TDC577X Set-Top-Box

Provider Signal Input



How To Connect Cd Player To Tv

Tom Myers



How To Connect Cd Player To Tv:

DJing For Dummies John Steventon,2014-10-08 DJ like a pro without skipping a beat The bestselling guide to spinning and scratching is back If you ve ever spent hours in your bedroom with two turntables and an earful of tracks that sound off beat or out of key *DJing For Dummies* is the go to guide for taking your skills to the next level Inside John Steventon a successful club DJ walks you through the basics of mixing the techniques and tricks you need to create your own DJ style and how to make DJing work for you Covering both digital and old school vinyl based instruction this guide covers all the latest DJ technology equipment and software so you can get mixing and stay one step ahead of the crowd Brimming with expert advice and easy to follow explanations the information in *DJing For Dummies* gives you everything you need to build a foolproof set and play to a live crowd Nail down the basics and build on existing skills Sort through the latest equipment and technology Have a go at crossfading beatmatching and scratching Mix tracks seamlessly to sound like a pro If you re new to the game or looking to step up your skills and graduate to club work *DJing For Dummies* has you covered [Electronics Mechanic \(Practical\) - IV](#) Mr. Rohit Manglik,2024-05-18 EduGorilla Publication is a trusted name in the education sector committed to empowering learners with high quality study materials and resources Specializing in competitive exams and academic support EduGorilla provides comprehensive and well structured content tailored to meet the needs of students across various streams and levels *Linux Smart Homes For Dummies* Neil Cherry,2006-07-14 A Linux smart home is about controlling and monitoring devices and information around your home using a standard personal computer Linux and its vast array of open source tools You don t have to be a master programmer to create one If you like to tinker with Linux *Linux Smart Homes For Dummies* will guide you through cool home automation projects that are as much fun to work on as they are to use Home automation used to be limited to turning on lights and appliances and maybe controlling your thermostat and lawn sprinkler from your computer While you still might not be able to create all the Jetsons toys today you can also Build a wireless network Create and set up a weather station Automate your TV and sound system Spy on your pets when you re not home Set up an answering system that knows what to do with calls Increase your home s security If you know how to use Linux and a few basic development tools Perl the BASH shell development libraries and the GNU C compiler *Linux Smart Homes For Dummies* will help you do all these tricks and more For example you can Discover the best sources for Linux based home automation devices Set up a wireless network create a wireless access point build a bridge between wired and wireless networks and route your own network traffic Build a personal video recorder with MythTV that will record to DVD or set up a wireless streaming music system Create a smart phone system that takes messages and forwards them to your fax modem or answering machine Build a weather station that notifies you of severe weather alerts Control and secure your home automation network and even check on your house when you re away The bonus CD ROM includes all kinds of cool open source software for your home automation projects *Linux Smart Homes For Dummies* even includes lists of cool gadgets

to check out and great ways to automate those boring household chores A smart home s a happy home **Multimedia Programming - A Practical Approach** Siddhartha Bhattacharyya & Paramartha Dutta, Multimedia Programming A Practical Approach is a maiden treatise on the core concepts of multimedia programming standards and practices catering to the different branches of Engineering disciplines of Computer Science Information Technology Electronics Communication Engineering and Electrical Engineering of various Indian and Foreign Universities The book deals with an in depth analysis of the facets of hands on of multimedia programming essentials with reference to the different multimedia file standards in existence Each chapter of the book starts with a brief introduction of the topic and ends with review questions and programming exercises The fundamental concepts of multimedia programming with Virtual Reality Markup Language VRML essentials are explained with suitable illustrations and real life examples The book describes the core concepts of multimedia basics multimedia file standards with reference to discrete and continuous media multimedia devices and future of multimedia in the form of VRML with illustrative programming examples The distinctive feature of this book is the assay of real time programming examples in Win 32 API programming platform **Electronics Projects Vol. 21** ,2009-11

Possible Violations of U.S. Antitrust Laws by Foreign Corporations United States. Congress. House. Committee on the Judiciary. Subcommittee on Economic and Commercial Law,1991 **Smart Homes For Dummies** Danny Briere,Pat Hurley,2011-02-09 Do you long to listen to your favorite CD from anywhere in your house To set up a wireless network so you can access the Internet in any room To install an iron clad security system To fire up the coffee pot while you re still asleep and wake up with automated lighting Smart home technology can help you do just that Smart Homes For Dummies Third Edition shows you how easy it can be to create and live in a cutting edge fully connected home without breaking your bank account With this user friendly guide you ll discover all the latest trends and gadgets in home networking automation and control that will help you make life more enjoyable and comfortable for your entire family We help you plan for things such as flat screen TVs intercom systems whole home audio systems gaming consoles and satellite systems We talk about your wiring and wireless options and introduce you to the latest technologies such as VoIP and Bluetooth You ll see how to Build your home network on a budget Turn your home into an entertainment center Access the Internet from any room Get VoIP on your phone network Boost in home wireless and cell phone signals Connect your computer to your TV Secure your home and property Increase your home s resale value Avoid common networking pitfalls And much much more Complete with a resource list for more information and neat toys of the future Smart Homes For Dummies is your plain English twenty first century guide to a fully wired home **Connecting** Tom Myers,1987 *Popular Science* ,1997-11 Popular Science gives our readers the information and tools to improve their technology and their world The core belief that Popular Science and our readers share The future is going to be better and science and technology are the driving forces that will help make it better Science Foundations: Physics Bryan Milner,2024-11-01 This title was first published in 2001 The new edition of

Science Foundations provides comprehensive coverage of single and double award GCSE science. It is fully revised and updated to match the new GCSE specifications for teaching from September 2001. It contains all the material required for the foundation and higher tiers with clear progression and explicit differentiation. Higher tier only material is clearly marked in separate spreads. The language level is carefully controlled with illustrations and layout specifically designed to make the concepts accessible. There are frequent opportunities for students to confirm their understanding of each key idea as it is introduced via short questions and summary passages on each spread. The books include guidance for students on how to prepare for and answer their GCSE examinations and a glossary of key words for ease of reference.

Discover tales of courage and bravery in its empowering ebook, **How To Connect Cd Player To Tv** . In a downloadable PDF format (*), this collection inspires and motivates. Download now to witness the indomitable spirit of those who dared to be brave.

<https://staging.conocer.cide.edu/About/book-search/fetch.php/imperial%20war%20museum%20of%20war%20behind%20ene my%20lines.pdf>

Table of Contents How To Connect Cd Player To Tv

1. Understanding the eBook How To Connect Cd Player To Tv
 - The Rise of Digital Reading How To Connect Cd Player To Tv
 - Advantages of eBooks Over Traditional Books
2. Identifying How To Connect Cd Player To Tv
 - Exploring Different Genres
 - Considering Fiction vs. Non-Fiction
 - Determining Your Reading Goals
3. Choosing the Right eBook Platform
 - Popular eBook Platforms
 - Features to Look for in an How To Connect Cd Player To Tv
 - User-Friendly Interface
4. Exploring eBook Recommendations from How To Connect Cd Player To Tv
 - Personalized Recommendations
 - How To Connect Cd Player To Tv User Reviews and Ratings
 - How To Connect Cd Player To Tv and Bestseller Lists
5. Accessing How To Connect Cd Player To Tv Free and Paid eBooks
 - How To Connect Cd Player To Tv Public Domain eBooks
 - How To Connect Cd Player To Tv eBook Subscription Services
 - How To Connect Cd Player To Tv Budget-Friendly Options

6. Navigating How To Connect Cd Player To Tv eBook Formats
 - ePub, PDF, MOBI, and More
 - How To Connect Cd Player To Tv Compatibility with Devices
 - How To Connect Cd Player To Tv Enhanced eBook Features
7. Enhancing Your Reading Experience
 - Adjustable Fonts and Text Sizes of How To Connect Cd Player To Tv
 - Highlighting and Note-Taking How To Connect Cd Player To Tv
 - Interactive Elements How To Connect Cd Player To Tv
8. Staying Engaged with How To Connect Cd Player To Tv
 - Joining Online Reading Communities
 - Participating in Virtual Book Clubs
 - Following Authors and Publishers How To Connect Cd Player To Tv
9. Balancing eBooks and Physical Books How To Connect Cd Player To Tv
 - Benefits of a Digital Library
 - Creating a Diverse Reading Collection How To Connect Cd Player To Tv
10. Overcoming Reading Challenges
 - Dealing with Digital Eye Strain
 - Minimizing Distractions
 - Managing Screen Time
11. Cultivating a Reading Routine How To Connect Cd Player To Tv
 - Setting Reading Goals How To Connect Cd Player To Tv
 - Carving Out Dedicated Reading Time
12. Sourcing Reliable Information of How To Connect Cd Player To Tv
 - Fact-Checking eBook Content of How To Connect Cd Player To Tv
 - Distinguishing Credible Sources
13. Promoting Lifelong Learning
 - Utilizing eBooks for Skill Development
 - Exploring Educational eBooks
14. Embracing eBook Trends
 - Integration of Multimedia Elements

- Interactive and Gamified eBooks

How To Connect Cd Player To Tv Introduction

In this digital age, the convenience of accessing information at our fingertips has become a necessity. Whether its research papers, eBooks, or user manuals, PDF files have become the preferred format for sharing and reading documents. However, the cost associated with purchasing PDF files can sometimes be a barrier for many individuals and organizations. Thankfully, there are numerous websites and platforms that allow users to download free PDF files legally. In this article, we will explore some of the best platforms to download free PDFs. One of the most popular platforms to download free PDF files is Project Gutenberg. This online library offers over 60,000 free eBooks that are in the public domain. From classic literature to historical documents, Project Gutenberg provides a wide range of PDF files that can be downloaded and enjoyed on various devices. The website is user-friendly and allows users to search for specific titles or browse through different categories. Another reliable platform for downloading How To Connect Cd Player To Tv free PDF files is Open Library. With its vast collection of over 1 million eBooks, Open Library has something for every reader. The website offers a seamless experience by providing options to borrow or download PDF files. Users simply need to create a free account to access this treasure trove of knowledge. Open Library also allows users to contribute by uploading and sharing their own PDF files, making it a collaborative platform for book enthusiasts. For those interested in academic resources, there are websites dedicated to providing free PDFs of research papers and scientific articles. One such website is Academia.edu, which allows researchers and scholars to share their work with a global audience. Users can download PDF files of research papers, theses, and dissertations covering a wide range of subjects. Academia.edu also provides a platform for discussions and networking within the academic community. When it comes to downloading How To Connect Cd Player To Tv free PDF files of magazines, brochures, and catalogs, Issuu is a popular choice. This digital publishing platform hosts a vast collection of publications from around the world. Users can search for specific titles or explore various categories and genres. Issuu offers a seamless reading experience with its user-friendly interface and allows users to download PDF files for offline reading. Apart from dedicated platforms, search engines also play a crucial role in finding free PDF files. Google, for instance, has an advanced search feature that allows users to filter results by file type. By specifying the file type as "PDF," users can find websites that offer free PDF downloads on a specific topic. While downloading How To Connect Cd Player To Tv free PDF files is convenient, its important to note that copyright laws must be respected. Always ensure that the PDF files you download are legally available for free. Many authors and publishers voluntarily provide free PDF versions of their work, but its essential to be cautious and verify the authenticity of the source before downloading How To Connect Cd Player To Tv. In conclusion, the internet offers numerous platforms and websites that allow users to download free PDF files legally. Whether its classic

literature, research papers, or magazines, there is something for everyone. The platforms mentioned in this article, such as Project Gutenberg, Open Library, Academia.edu, and Issuu, provide access to a vast collection of PDF files. However, users should always be cautious and verify the legality of the source before downloading How To Connect Cd Player To Tv any PDF files. With these platforms, the world of PDF downloads is just a click away.

FAQs About How To Connect Cd Player To Tv Books

What is a How To Connect Cd Player To Tv PDF? A PDF (Portable Document Format) is a file format developed by Adobe that preserves the layout and formatting of a document, regardless of the software, hardware, or operating system used to view or print it. **How do I create a How To Connect Cd Player To Tv PDF?** There are several ways to create a PDF: Use software like Adobe Acrobat, Microsoft Word, or Google Docs, which often have built-in PDF creation tools. Print to PDF: Many applications and operating systems have a "Print to PDF" option that allows you to save a document as a PDF file instead of printing it on paper. Online converters: There are various online tools that can convert different file types to PDF. **How do I edit a How To Connect Cd Player To Tv PDF?** Editing a PDF can be done with software like Adobe Acrobat, which allows direct editing of text, images, and other elements within the PDF. Some free tools, like PDFescape or Smallpdf, also offer basic editing capabilities. **How do I convert a How To Connect Cd Player To Tv PDF to another file format?** There are multiple ways to convert a PDF to another format: Use online converters like Smallpdf, Zamzar, or Adobe Acrobats export feature to convert PDFs to formats like Word, Excel, JPEG, etc. Software like Adobe Acrobat, Microsoft Word, or other PDF editors may have options to export or save PDFs in different formats. **How do I password-protect a How To Connect Cd Player To Tv PDF?** Most PDF editing software allows you to add password protection. In Adobe Acrobat, for instance, you can go to "File" -> "Properties" -> "Security" to set a password to restrict access or editing capabilities. Are there any free alternatives to Adobe Acrobat for working with PDFs? Yes, there are many free alternatives for working with PDFs, such as: LibreOffice: Offers PDF editing features. PDFsam: Allows splitting, merging, and editing PDFs. Foxit Reader: Provides basic PDF viewing and editing capabilities. How do I compress a PDF file? You can use online tools like Smallpdf, ILovePDF, or desktop software like Adobe Acrobat to compress PDF files without significant quality loss. Compression reduces the file size, making it easier to share and download. Can I fill out forms in a PDF file? Yes, most PDF viewers/editors like Adobe Acrobat, Preview (on Mac), or various online tools allow you to fill out forms in PDF files by selecting text fields and entering information. Are there any restrictions when working with PDFs? Some PDFs might have restrictions set by their creator, such as password protection, editing restrictions, or print restrictions. Breaking these restrictions might require specific software or tools, which may or may not be legal depending on the circumstances and local laws.

Find How To Connect Cd Player To Tv :

[imperial war museum of war behind enemy lines](#)

immigrants connections macmillan reading program softcover

imagining japan japanese tradition & its modern interpret

[immigrant integration the dutch case](#)

impressionist london

impact of climate change on ecosystems and species terrestrial ecosystems

imperfect moments

impossible bargain harlequin presents no 1125

immune system note taker

[imovie fast and easy](#)

[immune to love harlequin romance no 2842](#)

~~improve your golf iq the intelligent workout for better club and green skills~~

[imperial congress crisis in the separation of powers](#)

[importacin a los estados unidos](#)

immunology aging and cancer

How To Connect Cd Player To Tv :

[brockhaus souvenir semperoper dresden bücher gebraucht](#) - Feb 09 2023

web brockhaus souvenir semperoper dresden bücher gebraucht antiquarisch neu kaufen preisvergleich käuferschutz wir bücher

semperoper dresden ddr buch brockhaus souvenir uniport edu - Apr 30 2022

web jun 28 2023 right here we have countless ebook semperoper dresden ddr buch brockhaus souvenir and collections to check out we additionally come up with the money for variant types and then type of the books to browse the agreeable book fiction history novel scientific research as with ease as various other sorts of books are readily user

semperoper dresden ddr buch brockhaus souvenir amazon de - Aug 15 2023

web semperoper dresden ddr buch brockhaus souvenir günter ackermann siegfried thienel dieter zumpe isbn kostenloser versand für alle bücher mit versand und verkauf duch amazon

[brockhaus souvenir wikipedia](#) - Jan 08 2023

web brockhaus souvenir in den jahren 1985 bis 1991 erschien im verlag veb f a brockhaus in leipzig die buchreihe brockhaus souvenir die bücher präsentierten vorwiegend lokationen und sehenswürdigkeiten in der ddr vereinzelt wurden auch orte in anderen ostblockstaaten und in westdeutschland thematisiert die ersten drei bände berlin

semperoper dresden brockhaus souvenir 1988 1 auflage - Jun 13 2023

web semperoper dresden brockhaus souvenir 1988 1 auflage eur 1 00 zu verkaufen semperoper dresden sachsen buch aus der reihe brockhaus souvenir veb f 394778105333

semperoper dresden brockhaus souvenir es fotografierten - Jul 02 2022

web 3 aufl 1990 21 cm pappband 16 s 71 abb ein bildband mit farbfotos buch gut erhalten 1 11 6 isbn 3325001424 zumpe dieter günter ackermann u

semperoper dresden brockhaus souvenir bücher gebraucht - Jul 14 2023

web semperoper dresden brockhaus souvenir bücher gebraucht antiquarisch neu kaufen preisvergleich käuferschutz wir bücher

semperoper dresden brockhaus souvenir von dieter zumpe zvab - Jun 01 2022

web semperoper dresden brockhaus souvenir von dieter zumpe und eine große auswahl ähnlicher bücher kunst und sammlerstücke erhältlich auf zvab com

semperoper dresden brockhaus souvenirs amazon de bücher - Apr 11 2023

web semperoper dresden brockhaus souvenirs isbn 9783806835052 kostenloser versand für alle bücher mit versand und verkauf duch amazon

semperoper dresden ddr buch brockhaus souvenir by günter - Oct 05 2022

web semperoper dresden ddr buch brockhaus souvenir by günter ackermann siegfried thienel dieter zumpe schriftmuseums neue folge band v vi 1942 43 hobby amp freizeit antiquariat kastanienhof manfred hoffmann hauptstr 59 01796 struppen bei antiquariat de für antiquarische bücher grafik landkarten dresden was the center of the german

semperoper dresden ddr buch brockhaus souvenir by günter - Nov 06 2022

web semperoper dresden ddr buch brockhaus souvenir by günter ackermann siegfried thienel dieter zumpe fondo bibliográfico institucional buchgenie de antiquariat angelfire häufig gesuchte begriffe antiquariat traumfähre in dresden pdf bestand der fachbereichsbibliothek vom studiengang fondo bibliográfico institucional

büchersammlung brockhaus souvenir bildbände 7 titel 1 semperoper - Mar 30 2022

web büchersammlung brockhaus souvenir bildbände 7 titel 1 semperoper dresden text von dieter zumpe fotos von günter ackermann und siegfried thienel 1 auflage 1988 2 balaton text von tiber tuskés fotos von endre racz 1 auflage 1989 3

westböhmische bäder text von monica liebe fotos von sieghard liebe 1

[3806835055 semperoper dresden brockhaus souvenirs](#) - Aug 03 2022

web semperoper dresden brockhaus souvenirs finden sie alle bücher von günter ackermann siegfried thienel dieter zumpe bei der büchersuchmaschine eurobuch com können sie antiquarische und neubücher vergleichen und sofort zum bestpreis bestellen 3806835055 die kunststadt dresden in beeindruckenden

semperoper dresden ddr buch brockhaus souvenir download - Feb 26 2022

web was caught and became a prisoner of war sentenced to death in dresden for attempting to escape and burning down a factory only the allies infamous raid on the city the night before his execution saved his life

semperoper dresden geschichte führungen und preise - Dec 27 2021

web unser tipp wenn karten für die semperoper an der tageskasse schon ausverkauft sind oder sie ihre reise nach dresden komplett organisiert haben möchten inkl Übernachtung opernreisen dresden ihr spezialist für städte und kulturreisen Über opernreisen dresden de ist es möglich noch an tickets für die semperoper zu kommen

semperoper dresden ddr buch brockhaus souvenir günter - Dec 07 2022

web semperoper dresden ddr buch brockhaus souvenir günter ackermann siegfried thienel dieter zumpe finden sie alle bücher von günter ackermann siegfried thienel dieter zumpe bei der büchersuchmaschine eurobuch com können sie antiquarische und neubücher vergleichen und sofort zum bestpreis bestellen

brockhaus souvenir semperoper dresden brockhaus souvenir - Mar 10 2023

web brockhaus souvenir semperoper dresden finden sie alle bücher von brockhaus souvenir bei der büchersuchmaschine eurobuch com können sie antiquarische und neubücher vergleichen und sofort zum bestpreis bestellen pu veb f a brockhaus verlag leipzig 1 auflage es fotografierte günther

semperoper landeshauptstadt dresden - Jan 28 2022

web feb 10 2023 semperoper die dresdner semperoper ist das bekannteste opernhaus deutschlands und dient der sächsischen staatskapelle eines der ältesten und renommiertesten orchester weltweit als heimstätte erbaut zwischen 1838 und 1841 von gottfried semper wurde die semperoper im august 1944 geschlossen und ein halbes

semperoper dresden brockhaus souvenir zvab - May 12 2023

web semperoper dresden brockhaus souvenir von günter ackermann siegfried thienel dieter zumpe und eine große auswahl ähnlicher bücher kunst und sammlerstücke erhältlich auf zvab com

brockhaus souvenir semperoper dresden 9783325001426 - Sep 04 2022

web 1988 71 s 1 auflage hardcover format 13 x 20 5 cm guter zustand fotos günther ackermann und siegfried thienel text dieter zumpe

[daihatsu workshop repair owners manuals 100 free](#) - Sep 19 2023

web our daihatsu automotive repair manuals are split into five broad categories daihatsu workshop manuals daihatsu owners manuals daihatsu wiring diagrams daihatsu

daihatsu factory service manuals download free pdf manuals - Jan 11 2023

web feb 5 2020 daihatsu repair manuals if we don t have your daihatsu model or year please contact us as we will probably will have it listed on our database

daihatsu workshop manuals free factory service manuals - May 15 2023

web free pdf daihatsu factory service manuals repair manual downloads download free daihatsu factory service manuals by selecting the above model you require all our daihatsu repair manuals are free to download and provided in pdf file format [daihatsu service workshop manuals owners manual pdf](#) - Aug 06 2022

web daihatsu owner s and service manuals online download pdf daihatsu owner s manuals and service manuals for online browsing and download search through 227

daihatsu workshop service repair manuals download - Dec 30 2021

daihatsu terios repair service manuals 14 pdf s - Jul 05 2022

web sep 26 2023 this free oem workshop service and repair manual for the 2006 2013 daihatsu materia 2nd generation qnc20 contains all necessary illustrations

[daihatsu service repair manuals free download](#) - Jul 17 2023

web daihatsu workshop repair manuals owners manuals and other free downloads please select your daihatsu vehicle below applause charade charmant copen cuore f300

daihatsu service pdf manuals free wiring diagrams - Jun 16 2023

web daihatsu pdf workshop and repair manuals wiring diagrams spare parts catalogue fault codes free download the daihatsu repair manual as well as the operation and

daihatsu owner s and service manuals online download - Apr 02 2022

web daihatsu sirion owners manual covering weekly checks daihatsu sirion workshop manual covering lubricants fluids and tyre pressures daihatsu sirion service pdf s covering routine maintenance and servicing detailed daihatsu sirion engine and associated service systems for repairs and overhaul pdf daihatsu sirion

daihatsu service repair manuals free - Jun 04 2022

web this body repair manual introduces to you fundamental knowledge necessary for servicing the bodies of daihatsu vehicles and basic operations thereof furthermore this manual

[daihatsu carmanualshub com](#) - Feb 12 2023

web oct 7 2013 step 2 look online many people find that shopping online for a repair guide is the easiest way to conduct their search begin by looking on your favorite search

daihatsu service repair manuals free download pdf - Oct 28 2021

daihatsu sirion repair service manuals 6 pdf s - Nov 28 2021

daihatsu cuore free workshop and repair manuals - Nov 09 2022

web updated july 23 we have 14 daihatsu terios manuals covering a total of 22 years of production in the table below you can see 0 terios workshop manuals 0 terios owners

[daihatsu procarmanuals.com](#) - Dec 10 2022

web may 11 2018 daihatsu motor cuore mira l701 1998 2003 repair manual pdf daihatsu move l601 werkstatthandbuch pdf daihatsu move workshop manual daihatsu rocky service manual daihatsu rocky workshop manual daihatsu rugger workshop manual daihatsu sirion service manual technical information body

daihatsu terios service repair manuals free pdf - Jan 31 2022

daihatsu repair manuals repairbooks.co.uk - Sep 07 2022

web daihatsu move select your daihatsu move pdf download from the list below repair guide 1919 pages daihatsu gran move g303 g301 repair manual pdf view pdf

daihatsu move repair service manuals 9 pdf s - May 03 2022

web tons of detailed pictures diagrams included daihatsu charade g10 workshop manual 1977 1978 1979 1980 1981 1982 1983 all models repairs

download daihatsu repair manual dardoor - Mar 01 2022

web daihatsu yrv repair manual as well as operation and maintenance manual front wheel driving and four wheel drive 2wd 4wd daihatsu yrv 2000 2006 car exhaust

daihatsu pdf workshop and repair manuals - Aug 18 2023

web quick service manual search search for your vehicle below to view related workshop and service manuals download free daihatsu workshop manuals factory service manuals

daihatsu workshop and owners manuals free car repair - Mar 13 2023

web daihatsu cuore workshop repair and owners manuals for all years and models free pdf download for thousands of cars and trucks

how to find a daihatsu repair manual autos com - Oct 08 2022

web the do it yourself daihatsu mira l200 1990 1994 for hongkong owner will find this manual indispensable as a source of detailed maintenance and repair information this

daihatsu service repair manuals download - Apr 14 2023

web welcome to our category dedicated to providing free online pdf versions of the daihatsu service repair and vehicle manual our extensive collection covers all aspects of

der wahre entdecker des nordpols deutschlandfunk kultur - Mar 12 2023

web feb 23 2009 die entdeckung des nordpols on apple books zwei jahre im ewigen eis 1908 1909 robert e peary 23 99 publisher description

die entdeckung des nordpols robert e ab 5 92 - May 02 2022

web die entdeckung des nordpols 1908 1909 lizenzausgabe finden sie alle bücher von peary robert e bei der büchersuchmaschine eurobuch de können sie antiquarische

die entdeckung des nordpols 1908 1909 gebundene ausgabe - Nov 08 2022

web 24 08 2009 so genau weiß man das bis heute nicht der amerikaner robert peary will es am 6 april 1909 vor genau 100 jahren geschafft haben sein landsmann frederick

die entdeckung des südpols frankfurter rundschau - Oct 27 2021

die entdeckung des nordpols 1908 1909 lizenzausgabe - Feb 28 2022

web ende des 19 jahrhunderts gab es auf der landkarte fast keine weißen flecken mehr einzig die beiden pole waren noch unerforscht und noch nie hatte ein mensch den

die entdeckung des nordpols 1908 1909 hardcover abebooks - Dec 09 2022

web ebook bei litres kostenlos online lesen als epub oder mobi herunterladen die entdeckung des nordpols zwei jahre im ewigen eis 1908 1909

die entdeckung des nordpols zwei jahre im ewigen eis 1908 - Jun 03 2022

web entdeckung des nordpols 1908 1909 peary robert e finden sie alle bücher von peary robert e bei der büchersuchmaschine eurobuch com können sie antiquarische

geschichte der nordpolexpeditionen wikipedia - Jul 16 2023

der norweger fridtfjof nansen der 1888 als erster grönland durchquert hatte versuchte bei seiner fram expedition 1893 1896 den nordpol zu erreichen er wollte sich mit seinem schiff fram vom packeis einschließen lassen und die natürliche eisdrift des arktischen ozeans nutzen als sich abzeichnete dass man den nordpol verfehlen würde scheiterte auch der anschließende

versuch den rest des wegges zusammen mit fredrik hjalmar johansen auf skiern zurückzulegen

die entdeckung des nordpols zwei jahre im ewigen eis 1908 - Oct 07 2022

web die entdeckung des nordpols zwei jahre im ewigen eis 1908 1909 vollständigen titel anzeigen von robert e peary 0 bewertungen Über dieses e book

die entdeckung des nordpols von robert e peary scribd - Aug 05 2022

web robert e peary die entdeckung des nordpols zwei jahre im ewigen eis 1908 1909 isbn 386539809x von edition erdmann jetzt versandkostenfrei online kaufen

die entdeckung des nordpols zwei jahre im ewigen - Jun 15 2023

web einer dieser pioniere war der amerikaner robert e peary der 1908 zum wiederholten male eine tour de force startet um endlich den ersehnten flecken im nirgendwo zu

entdeckung des nordpols 1908 1909 peary robert e - Apr 01 2022

web die entdeckung des nordpols read this book now share book 288 pages german epub mobile friendly and pdf available on ios android ebook epub die

die entdeckung des nordpols thalia - Apr 13 2023

web jul 16 2012 bei seiner angeblichen entdeckung des nordpols am 9 april 1909 hatte robert peary neben vier inuit nur matthew henson bei sich da peary stets henson

die entdeckung des nordpols erstausgabe zvb - Jul 04 2022

web die entdeckung des nordpols 1908 isbn 9783865398093 tagelange schneestürme raues zu bergen aufgetürmtes eis arktische temperaturen plötzlich breite die

robert e peary die entdeckung des nordpols 1908 - Sep 18 2023

web apr 11 2009 bei kap sheridan der äußersten ecke des amerikanischen kontinents muss peary überwintern ende februar 1909 bricht er zum marsch durch die mörderische eiswüste auf und am 6 april stehen er und seine begleiter als erste menschen am

die entdeckung des nordpols on apple books - Jan 10 2023

web die entdeckung des nordpols 1908 1909 robert e peary isbn 9783522600361 kostenloser versand für alle bücher mit versand und verkauf durch amazon

wer war der erste mann am nordpol dw 24 08 2009 dw com - Sep 06 2022

web die entdeckung des nordpols 1908 1909 von peary robert e und eine große auswahl ähnlicher bücher kunst und sammlerstücke erhältlich auf zvb com die entdeckung

die entdeckung des nordpols zwei jahre im ewigen eis 1908 1909 - May 14 2023

web die entdeckung des nordpols zwei jahre im ewigen eis 1908 1909 robert e peary buch gebundene ausgabe 26 00 inkl gesetzl mwst versandkostenfrei

die entdeckung des nordpols zwei jahre im ewigen eis 1908 1909 - Aug 17 2023

web die entdeckung des nordpols zwei jahre im ewigen eis 1908 1909 brennecke detlef peary robert e isbn 9783865398093 kostenloser versand für alle bücher mit

die entdeckung des nordpols wikipedia - Nov 27 2021

kinderzeitmaschine | nord und südpol - Dec 29 2021

web jan 20 2019 die entdeckung des südpols stand 20 01 2019 21 15 uhr kommentare teilen roald amundsen eroberte vor 100 jahren den südpol eine sternstunde der

pdf die entdeckung des nordpols by robert e peary perlego - Jan 30 2022

web die entdeckung des nordpols untertitel eine aviatische fantasie reise über das nördliche eismeer zum nordpol originaltitel À la conquête du pôle ist ein französischer

entdeckung des nordpols 1908 von peary zva - Feb 11 2023

web abebooks com die entdeckung des nordpols 1908 1909 9783522600361 by peary robert e and a great selection of similar new used and collectible books available