

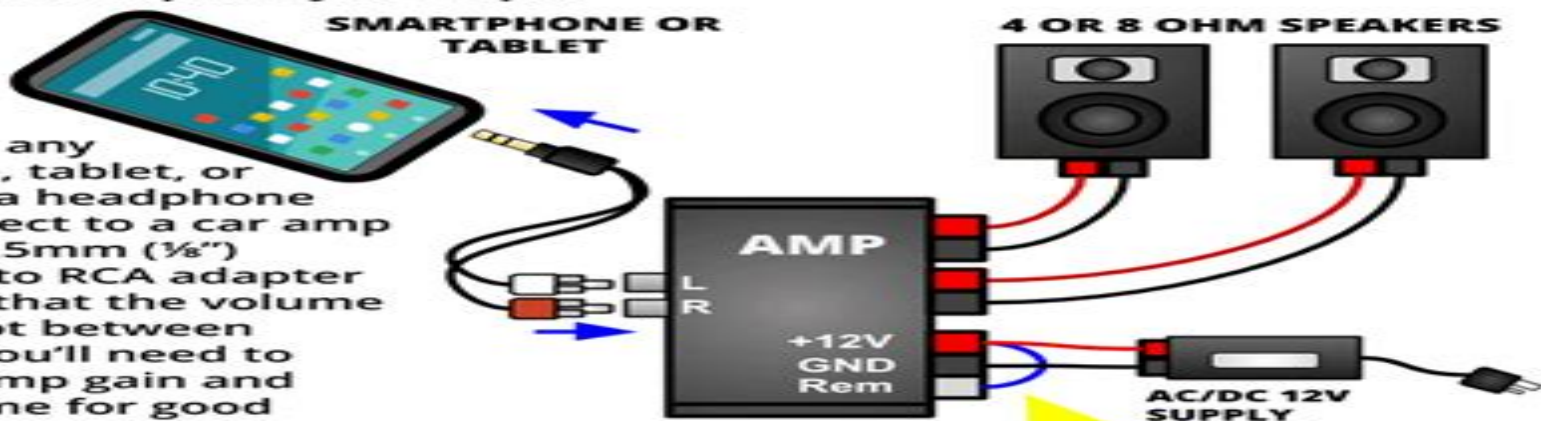
How to connect a car amp to a smartphone or other audio source in your home

SoundCertified

If not connecting a car amp used in your home to a home stereo, you can use a wide range of audio sources. Here are several examples that make it simple while giving great sound quality.

Example 1

Smartphone/tablet with a headphone jack (3.5mm jack) or USB-headphone jack adapter

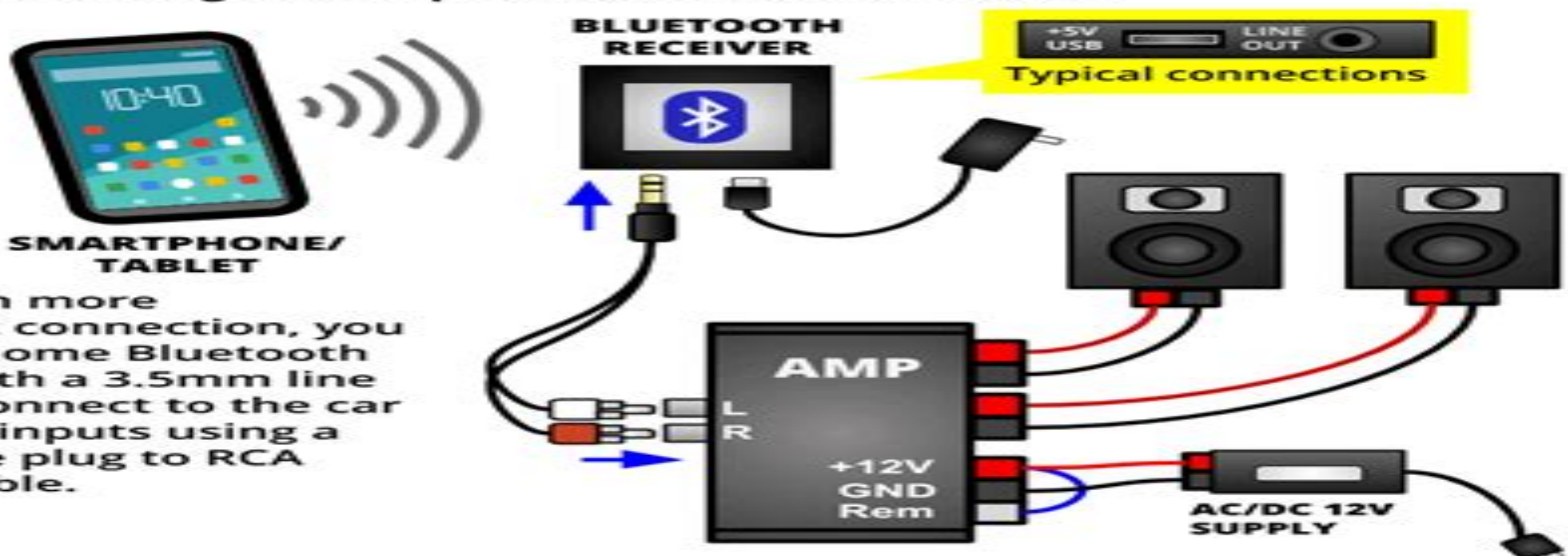


You can use any smartphone, tablet, or laptop with a headphone jack to connect to a car amp by using a 3.5mm ($\frac{1}{8}$ "") headphone to RCA adapter cable. Note that the volume can vary a lot between devices so you'll need to adjust the amp gain and device volume for good sound.

NOTE: Some newer smartphones don't offer a headphone jack. You'll need the device-specific USB to headphone jack adapter that works with your phone.

Example 2

Connecting a car amp to a home Bluetooth receiver



For an even more convenient connection, you can use a home Bluetooth receiver with a 3.5mm line out jack. Connect to the car amp's RCA inputs using a headphone plug to RCA adapter cable.

How To Connect Car Amp To Wall Outlet

Yijin Wang



How To Connect Car Amp To Wall Outlet:

Ignite the flame of optimism with is motivational masterpiece, **How To Connect Car Amp To Wall Outlet** . In a downloadable PDF format (PDF Size: *), this ebook is a beacon of encouragement. Download now and let the words propel you towards a brighter, more motivated tomorrow.

https://staging.conocer.cide.edu/files/browse/Download_PDFS/Ethics_Reproduction_And_Genetic_Control.pdf

Table of Contents How To Connect Car Amp To Wall Outlet

1. Understanding the eBook How To Connect Car Amp To Wall Outlet
 - The Rise of Digital Reading How To Connect Car Amp To Wall Outlet
 - Advantages of eBooks Over Traditional Books
2. Identifying How To Connect Car Amp To Wall Outlet
 - Exploring Different Genres
 - Considering Fiction vs. Non-Fiction
 - Determining Your Reading Goals
3. Choosing the Right eBook Platform
 - Popular eBook Platforms
 - Features to Look for in an How To Connect Car Amp To Wall Outlet
 - User-Friendly Interface
4. Exploring eBook Recommendations from How To Connect Car Amp To Wall Outlet
 - Personalized Recommendations
 - How To Connect Car Amp To Wall Outlet User Reviews and Ratings
 - How To Connect Car Amp To Wall Outlet and Bestseller Lists
5. Accessing How To Connect Car Amp To Wall Outlet Free and Paid eBooks
 - How To Connect Car Amp To Wall Outlet Public Domain eBooks
 - How To Connect Car Amp To Wall Outlet eBook Subscription Services
 - How To Connect Car Amp To Wall Outlet Budget-Friendly Options
6. Navigating How To Connect Car Amp To Wall Outlet eBook Formats

- ePub, PDF, MOBI, and More
 - How To Connect Car Amp To Wall Outlet Compatibility with Devices
 - How To Connect Car Amp To Wall Outlet Enhanced eBook Features
7. Enhancing Your Reading Experience
 - Adjustable Fonts and Text Sizes of How To Connect Car Amp To Wall Outlet
 - Highlighting and Note-Taking How To Connect Car Amp To Wall Outlet
 - Interactive Elements How To Connect Car Amp To Wall Outlet
 8. Staying Engaged with How To Connect Car Amp To Wall Outlet
 - Joining Online Reading Communities
 - Participating in Virtual Book Clubs
 - Following Authors and Publishers How To Connect Car Amp To Wall Outlet
 9. Balancing eBooks and Physical Books How To Connect Car Amp To Wall Outlet
 - Benefits of a Digital Library
 - Creating a Diverse Reading Collection How To Connect Car Amp To Wall Outlet
 10. Overcoming Reading Challenges
 - Dealing with Digital Eye Strain
 - Minimizing Distractions
 - Managing Screen Time
 11. Cultivating a Reading Routine How To Connect Car Amp To Wall Outlet
 - Setting Reading Goals How To Connect Car Amp To Wall Outlet
 - Carving Out Dedicated Reading Time
 12. Sourcing Reliable Information of How To Connect Car Amp To Wall Outlet
 - Fact-Checking eBook Content of How To Connect Car Amp To Wall Outlet
 - Distinguishing Credible Sources
 13. Promoting Lifelong Learning
 - Utilizing eBooks for Skill Development
 - Exploring Educational eBooks
 14. Embracing eBook Trends
 - Integration of Multimedia Elements
 - Interactive and Gamified eBooks

How To Connect Car Amp To Wall Outlet Introduction

Free PDF Books and Manuals for Download: Unlocking Knowledge at Your Fingertips In today's fast-paced digital age, obtaining valuable knowledge has become easier than ever. Thanks to the internet, a vast array of books and manuals are now available for free download in PDF format. Whether you are a student, professional, or simply an avid reader, this treasure trove of downloadable resources offers a wealth of information, conveniently accessible anytime, anywhere. The advent of online libraries and platforms dedicated to sharing knowledge has revolutionized the way we consume information. No longer confined to physical libraries or bookstores, readers can now access an extensive collection of digital books and manuals with just a few clicks. These resources, available in PDF, Microsoft Word, and PowerPoint formats, cater to a wide range of interests, including literature, technology, science, history, and much more. One notable platform where you can explore and download free How To Connect Car Amp To Wall Outlet PDF books and manuals is the internet's largest free library. Hosted online, this catalog compiles a vast assortment of documents, making it a veritable goldmine of knowledge. With its easy-to-use website interface and customizable PDF generator, this platform offers a user-friendly experience, allowing individuals to effortlessly navigate and access the information they seek. The availability of free PDF books and manuals on this platform demonstrates its commitment to democratizing education and empowering individuals with the tools needed to succeed in their chosen fields. It allows anyone, regardless of their background or financial limitations, to expand their horizons and gain insights from experts in various disciplines. One of the most significant advantages of downloading PDF books and manuals lies in their portability. Unlike physical copies, digital books can be stored and carried on a single device, such as a tablet or smartphone, saving valuable space and weight. This convenience makes it possible for readers to have their entire library at their fingertips, whether they are commuting, traveling, or simply enjoying a lazy afternoon at home. Additionally, digital files are easily searchable, enabling readers to locate specific information within seconds. With a few keystrokes, users can search for keywords, topics, or phrases, making research and finding relevant information a breeze. This efficiency saves time and effort, streamlining the learning process and allowing individuals to focus on extracting the information they need. Furthermore, the availability of free PDF books and manuals fosters a culture of continuous learning. By removing financial barriers, more people can access educational resources and pursue lifelong learning, contributing to personal growth and professional development. This democratization of knowledge promotes intellectual curiosity and empowers individuals to become lifelong learners, promoting progress and innovation in various fields. It is worth noting that while accessing free How To Connect Car Amp To Wall Outlet PDF books and manuals is convenient and cost-effective, it is vital to respect copyright laws and intellectual property rights. Platforms offering free downloads often operate within legal boundaries, ensuring that the materials they provide are either in the public domain or authorized for distribution. By adhering to copyright laws, users can enjoy the benefits of free access to knowledge while

supporting the authors and publishers who make these resources available. In conclusion, the availability of How To Connect Car Amp To Wall Outlet free PDF books and manuals for download has revolutionized the way we access and consume knowledge. With just a few clicks, individuals can explore a vast collection of resources across different disciplines, all free of charge. This accessibility empowers individuals to become lifelong learners, contributing to personal growth, professional development, and the advancement of society as a whole. So why not unlock a world of knowledge today? Start exploring the vast sea of free PDF books and manuals waiting to be discovered right at your fingertips.

FAQs About How To Connect Car Amp To Wall Outlet Books

1. Where can I buy How To Connect Car Amp To Wall Outlet books? Bookstores: Physical bookstores like Barnes & Noble, Waterstones, and independent local stores. Online Retailers: Amazon, Book Depository, and various online bookstores offer a wide range of books in physical and digital formats.
2. What are the different book formats available? Hardcover: Sturdy and durable, usually more expensive. Paperback: Cheaper, lighter, and more portable than hardcovers. E-books: Digital books available for e-readers like Kindle or software like Apple Books, Kindle, and Google Play Books.
3. How do I choose a How To Connect Car Amp To Wall Outlet book to read? Genres: Consider the genre you enjoy (fiction, non-fiction, mystery, sci-fi, etc.). Recommendations: Ask friends, join book clubs, or explore online reviews and recommendations. Author: If you like a particular author, you might enjoy more of their work.
4. How do I take care of How To Connect Car Amp To Wall Outlet books? Storage: Keep them away from direct sunlight and in a dry environment. Handling: Avoid folding pages, use bookmarks, and handle them with clean hands. Cleaning: Gently dust the covers and pages occasionally.
5. Can I borrow books without buying them? Public Libraries: Local libraries offer a wide range of books for borrowing. Book Swaps: Community book exchanges or online platforms where people exchange books.
6. How can I track my reading progress or manage my book collection? Book Tracking Apps: Goodreads, LibraryThing, and Book Catalogue are popular apps for tracking your reading progress and managing book collections. Spreadsheets: You can create your own spreadsheet to track books read, ratings, and other details.
7. What are How To Connect Car Amp To Wall Outlet audiobooks, and where can I find them? Audiobooks: Audio recordings of books, perfect for listening while commuting or multitasking. Platforms: Audible, LibriVox, and Google Play Books offer a wide selection of audiobooks.

8. How do I support authors or the book industry? Buy Books: Purchase books from authors or independent bookstores. Reviews: Leave reviews on platforms like Goodreads or Amazon. Promotion: Share your favorite books on social media or recommend them to friends.
9. Are there book clubs or reading communities I can join? Local Clubs: Check for local book clubs in libraries or community centers. Online Communities: Platforms like Goodreads have virtual book clubs and discussion groups.
10. Can I read How To Connect Car Amp To Wall Outlet books for free? Public Domain Books: Many classic books are available for free as they're in the public domain. Free E-books: Some websites offer free e-books legally, like Project Gutenberg or Open Library.

Find How To Connect Car Amp To Wall Outlet :

ethics reproduction and genetic control

[ethical dimensions of clinical medicine by robbins dennis a.; dyer allen r.](#)

europaean armies and the conduct of war

europaean 1939 to the present

etude sur la concurrence de davantage avec plus dans la periode

europaean company and financial law europaean community lawtext collection

ethnonationalism and political systems in europaean a state of tension

[europaean on top of world](#)

[europaean wposter](#)

etherege and the seventeenth-century comedy of manners yale studies in english

[eu food law a practical guide](#)

ethnic jewelry design and inspiration by meilach dona z.

eudora welty photographs

ethical issues in youth work

[ethics in criminal justice a justice professional reader](#)

How To Connect Car Amp To Wall Outlet :

geometry online name practice quadrilaterals parallelograms g - Mar 14 2023

web use the diagram of the parallelogram to the right to answer the following questions 23 25 26 27 28 29 30 if m mpo if m

pmn if 360

geo unit 7 polygons and quadrilaterals schedule google docs - May 16 2023

web 7 1a find and use the measures of interior and exterior angles of polygons 7 1b prove and apply properties of parallelograms 7 2a use properties of parallelograms to solve problems 7 2b prove that a quadrilateral is a parallelogram 7 3 prove and apply properties of rectangles rhombuses and squares 7 4a

quadrilaterals year 7 maths maffsguru youtube - Oct 09 2022

web quadrilaterals year 7 maths maffsguru if you d like to support me creating more videos please visit my patreon page at patreon com maffsguru

practice quadrilaterals parallelograms g 7 bespoke cityam - May 04 2022

web practice quadrilaterals parallelograms g 7 properties of quadrilaterals vdoe identifying the seven quadrilaterals dummies 6 1 classifying quadrilaterals warren county

prove parallelogram properties practice khan academy - Aug 19 2023

web lesson 6 theorems concerning quadrilateral properties proof opposite sides of a parallelogram proof diagonals of a parallelogram proof opposite angles of a parallelogram proof the diagonals of a kite are perpendicular proof rhombus diagonals are perpendicular bisectors proof rhombus area

parallelogram grade 7 mathematics kwiznet - Apr 03 2022

web grade 7 mathematics curriculum parallelogram math english homeschool afterschool tutoring educational programs grade appropriate lessons quizzes printable worksheets instant scoring progress tracking award certificates to keep your student motivated thousands of satisfied repeat customers risk free trial

mrs saenz geometry classes unit 7 quadrilaterals google - Jun 05 2022

web definition a quadrilateral with two pairs of parallel sides types of parallelograms rhombus a parallelogram with four congruent sides rectangle a parallelogram with four right angles

quadriláteros propiedades dos paralelogramos portal de - Sep 08 2022

web um quadrilátero é um polígono com quatro lados a soma das amplitudes dos ângulos internos de um quadrilátero é 360° os quadriláteros cujos lados opostos sejam paralelos são designados por paralelogramos os paralelogramos possuem as seguintes propriedades os ângulos opostos são iguais os ângulos adjacentes ao mesmo lado

practice quadrilaterals parallelograms g 7 pqr uiaf gov co - Mar 02 2022

web practice quadrilaterals parallelograms g 7 what you later to read merrill geometry 1995 new york math math a 2000 sat math kaplan 1998 07 this workbook delivers targeted training for the sat s most challenging math questions featuring more than eight tests worth of practice math questions ordered by range of difficulty just like in

[quadrilaterals parallelograms worksheets teaching](#) - Aug 07 2022

web this self grading digital assignment provides students with practice applying theorems associated with parallelograms including if both pairs of opposite sides of a quadrilateral are congruent then the quadrilateral is a parallelogram if an angle of a quadrilateral is supplementary to both of its

[practice quadrilaterals parallelograms g 7 2023](#) - Jun 17 2023

web practice quadrilaterals parallelograms g 7 ready to test grade 4 jan 29 2022 this 256 page workbook helps fourth grade children learn to follow directions understand test formats use effective strategies to avoid common mistakes and budget their time wisely

practice quadrilaterals parallelograms g 7 secure4 khronos - Apr 15 2023

web may 17 2023 practice quadrilaterals parallelograms g 7 geometry can use this worksheet quiz to assess their grasp of how to prove that a quadrilateral is a parallelogram in lesson practice b properties of parallelograms of parallelograms from g to h of parallelograms 315 7 5 127 67 76 practice 6 2 properties classifying quadrilaterals

ch 7 proof and quadrilaterals windsor high school math wizards - Dec 11 2022

web 7 2 3 prove rectangles are also parallelograms g co 11 7 2 4 prove additional properties of quadrilaterals and isosceles triangles g co 11 7 2 6 prove conjectures using similar triangles including the midsegment theorem g co 11 triangle midsegment theorem 7 3 1 use the coordinate grid to define quadrilaterals g gpe 4 g gpe 5 g gpe

[quadrilaterals parallelograms exercise liveworksheets com](#) - Feb 13 2023

web quadrilaterals parallelograms recognize and apply the congruent properties of parallelograms apply the diagonal properties of parallelograms and to write proofs id 1915187 language english school subject math grade level 8 age 12 15 main content quadrilaterals parallelograms other contents recognize and apply the

7 3 proving quadrilaterals are parallelograms youtube - Jan 12 2023

web learn how to prove a quadrilateral is a parallelogram 5 different ways

practice quadrilaterals parallelograms g 7 - Feb 01 2022

web practice quadrilaterals parallelograms g 7 getting the books practice quadrilaterals parallelograms g 7 now is not type of inspiring means you could not on your own going considering book collection or library or borrowing from your connections to edit them this is an certainly simple means to specifically acquire guide by on line

[practice quadrilaterals parallelograms g 7](#) - Dec 31 2021

web read just invest tiny era to gate this on line publication practice quadrilaterals parallelograms g 7 as well as review them wherever you are now geometry boswell larson 2023 04 07 this book has been written so that all students can understand geometry the course focuses on the key topics that provide a strong foundation in the

quadrilaterals geometry all content math khan academy - Jul 18 2023

web quadrilaterals only have one side more than triangles but this opens up an entire new world with a huge variety of quadrilateral types learn about it here

practice quadrilaterals parallelograms g 7 - Jul 06 2022

web geometry online practice quadrilaterals parallelograms g 7 april 27th 2018 on this page you can read or download geometry online practice quadrilaterals parallelograms g 7 in pdf format area and perimeter of triangles parallelograms and

quadrilateral types practice khan academy - Nov 10 2022

web learn for free about math art computer programming economics physics chemistry biology medicine finance history and more khan academy is a nonprofit with the mission of providing a free world class education for anyone anywhere

installation of bascom mcs elec - Apr 30 2022

web version 2075 places the sample files under the user documents mcs electronics bascom avr samples folder while we prefer to keep all files at one location and sub folders this is not allowed in windows 7 where the program files folder and all its sub folders are write protected in version 2082 you can decide where the samples must

getting started with atmel avr and bascom instructables - Jul 14 2023

web from the standpoint of the ide programming software the bascom is much easier to install and implement than something like the avr studio i installed bascom typed in a demo program hit compile hit program and it worked the first time

getting started with bascom avr 5 steps instructables - Jan 08 2023

web getting started with bascom avr this is the beginning of an series to teach you program your avr microcontroller with bascom avr why i am doing this most of the program samples in this series can you make with arduino some easier and some more difficult but at the end both w

an 101 bascom avr example that demonstrates snap protocol - Dec 07 2022

web the program shows how to implement the snp protocol in bascom and is a simple example to turn a led on or off it uses plm 24 power line modems to communicate over the power lines mains this example uses 16 bit crc ccitt as error detection method which gives secure data transfer

pdf programming avr mcus using bascom crash course - Mar 10 2023

web jan 1 2012 abstract programming avr mcus using bascom crash course 2012 youtube com playlist list pl88169225c768cb85 details about the course session 01 topics introduction to embedded

bascom avr in examples pl mcs electronics - Aug 15 2023

web the book presents a variety of complete sample projects all using the avr family of microcontrollers the author has prepared and made available complete documentation of all projects described in the book including designs of the printed

circuit boards

[bascom programming of microcontrollers with ease an introduction](#) - Nov 06 2022

web the programming of microcontrollers using bascom 8051 version 2 0 4 0 and bascom avr version 1 11 3 0 will be described in this book some applications help understand the usage of bascom 8051 and bascom avr

[sample listing program ds1307 using bascom avr scribd](#) - Jul 02 2022

web sample listing program ds1307 using bascom avr free download as text file txt pdf file pdf or read online for free

bascom avr free download and software reviews cnet download - Feb 26 2022

web download bascom avr for windows to compile your windows based ide and avr basic with 70 basic project examples run and debug programs windows c free user reviews 5 5 1 user votes 5 star

examples of avr microcontroller projects with bascom code - Sep 04 2022

web feb 13 2006 you can find examples with avr in dir samples avr tiny15 demo and samples avr external memory of dir where proteus is instaled in my computer the full way to these examples are c program files labcenter electronics proteus 6 professional samples avr tiny15 demo and c program files labcenter

bascom avr programmbeispiele browse files at sourceforge net - Jun 13 2023

web dec 12 2010 in diesem verzeichnis sind alle programmbeispiele aus dem buch programmieren der avr risc mikrocontroller mit bascom avr 3 auflage isbn 978 3 907857 14 4 erschienen im skript verlag kühnel 2010 abgelegt

bascom avr free version download for pc - Jan 28 2022

web jul 8 2010 this pc software is developed for windows xp xp professional vista 7 8 10 11 environment 32 bit version this software is a product of mcs electronics bascom avr is the original windows basic compiler for the avr family it is designed to run on w95 w98 nt w2000 xp and vista br

[bascom avr mcs electronics](#) - Feb 09 2023

web bascom avr supports the tiny mega and xmega processors with internal sram and 32 registers a full list you find on avrhelpe mcselec com under the chips topic in 2019 atmel microchip introduced new avr processors the xtiny attiny816 for example the megax mega4808 for example and avrx avr128db28 for example

bipom electronics bascom avrdos sample code - Aug 03 2022

web advantages of bipom ultra fast prototyping industry examples applications ordering methods terms and payments price list and availability sales channels catalog

ben s hobbycorner software bascom examples - Oct 05 2022

web ben s hobbycorner software bascom examples here you can find a step by step tutorial about the bascom avr code to drive an avr and an enc28j60 ethernetcontroller there has been een problem with the newer bascom avr version from 1 11 90

on but it has been solved

[bascom avr programming pdf document](#) - Dec 27 2021

web oct 24 2014 figure 17 selection of a simulator the last important step is the selection of a programmer via menu options programmer figure 18 shows this selection in this case the avr isp programmer was selected because most bascom avr program examples described here used the mcu00100 evaluation board as a hardware platform

bascom avr github topics github - May 12 2023

web dec 13 2022 pull requests fabricated embedded system based remote car which was communicated using infrared rays bascom avr script was used as programming language the car could run both forward and backward at

[bascom avr programming mcs electronics](#) - Apr 11 2023

web bascom avr programming with practical applications is a perfect book for students and beginners wanting to learn to program with atmel mcu s and the proven mcs electronics compiler even more experienced programmers can learn coding techniques from many of the example programs

bascom programming of microcontrollers with ease google - Jun 01 2022

web bascom 8051 and bascom avr are development environments built around a powerful basic compiler both are suited for project handling and program development for the 8051 family and its derivatives as well as for the avr microcontrollers from atmel click here to preview the first 25 pages in acrobat pdf format

arduino mcs elec - Mar 30 2022

web the developers of the arduino finally implemented the stk500v2 protocol this protocol is supported by atmel and of course by bascom select the arduino stk500v2 programmer in bascom programmer options to use this protocol a board like the mega2560 r3 uses this protocol and probably all newer avr based arduino boards

night sins a novel by tami hoag books on google play - Jun 04 2023

web expand more night sins a novel ebook written by tami hoag read this book using google play books app on your pc android ios devices download for offline reading

[night sins hoag tami 9780553099614](#) - Dec 18 2021

[night sins tami hoag free download borrow and streaming](#) - Sep 07 2023

web night sins by tami hoag publication date 1995 topics kidnapping fiction minnesota fiction publisher bantam books collection printdisabled internetarchivebooks

pdf epub night sins deer lake 1 download oceanofpdf - Oct 08 2023

web nov 9 2019 this is free download book night sins deer lake 1 by author tami hoag in pdf epub original title isbn

published on 1995 get full ebook file

[night sins tami hoag google books](#) - Jul 05 2023

web in the night any night these fears terrors and emotions can drive us to commit the darkest sins now there is an author who knows these secrets and has woven them into

night sins by tami hoag fictiondb - Aug 26 2022

web a peaceful minnesota town where crime is something that just doesn't happen is about to face its worst nightmare a young boy disappears there are no witnesses no

night sins by tami hoag ebook ebooks com - May 03 2023

web the first suspense mystery in the deer lake series from sunday times bestselling author tami hoag deer lake is a small minnesota town where people know their neighbours

night sins plus bonus digital copy of guilty as sin by tami - Nov 28 2022

web dec 30 2003 night sins a novel deer lake book 1 kindle edition by tami hoag author format kindle edition 4 4 1 892 ratings book 1 of 2 deer lake see all formats

night sins used book by tami hoag 9780553385717 - Nov 16 2021

night sins by tami hoag goodreads - Sep 26 2022

web night sins by tami hoag fictiondb cover art synopsis sequels reviews awards publishing history genres and time period

night sins guilty as sin by tami hoag ebook barnes noble - Jan 19 2022

web buy a used copy of night sins book by tami hoag see preview image courtesy of openlibrary.org night sins by tami hoag 2 0 1 paperback see all available copies

editions of night sins by tami hoag goodreads - Jun 23 2022

web read night sins a novel by tami hoag available from rakuten kobo a peaceful minnesota town where crime is something that just doesn't happen is about to face its

night sins ebook by tami hoag rakuten kobo - Jan 31 2023

web read night sins a novel by tami hoag available from rakuten kobo a peaceful minnesota town where crime is something that just doesn't happen is about to face its

night sins by tami hoag ebook barnes noble - Mar 21 2022

web download or read book night sins written by tami hoag and published by hachette uk this book was released on 2010 12 30 with total page 560 pages available in pdf

night sins ebook by tami hoag rakuten kobo - May 23 2022

web night sins tami hoag bantam books 19 95 483pp isbn 978 0 553 09961 4 touted as the author s hardcover breakout novel
hoag was the erstwhile bestselling star of

night sins tami hoag google books - Apr 02 2023

web dec 1 1995 night sins tami hoag random house publishing group dec 1 1995 fiction 576 pages a peaceful minnesota town where crime is something that just

night sins by tami hoag ebook scribd - Aug 06 2023

web dec 30 2003 read night sins by tami hoag with a free trial read millions of ebooks and audiobooks on the web ipad iphone and android a peaceful minnesota town

[night sins by tami hoag ebook ebooks com](#) - Jul 25 2022

web dec 30 2003 expand details by tami hoag first published 1995 sort by format editions showing 1 30 of 74 night sins deer lake 1 published october 7th 1996 by orion

night sins by tami hoag 9780553564518 penguin random - Mar 01 2023

web together they are hunting for a madman who knows no bounds to protect a town that may never feel safe again about night sins a peaceful minnesota town where crime is

read pdf night sins online book of donmon teith - Feb 17 2022

web dec 24 2008 1 new york times bestselling author tami hoag delivers a double shot of suspense in these two adrenaline charged classic thrillers offered together in one

[night sins a novel deer lake book 1 amazon com](#) - Oct 28 2022

web read 547 reviews from the world s largest community for readers a peaceful minnesota town where crime is something that just doesn t happen is about to

night sins by tami hoag publishers weekly - Apr 21 2022

web dec 30 2003 night sins by tami hoag ebook barnes noble january 12 1994 day 1 5 26 p m 22 josh kirkwood and his two best buddies burst out of the locker

[tami hoag open library](#) - Dec 30 2022

web renowned for combining thrilling plots with character driven suspense hoag first hit the new york times bestseller list with night sins and each of her books since has been