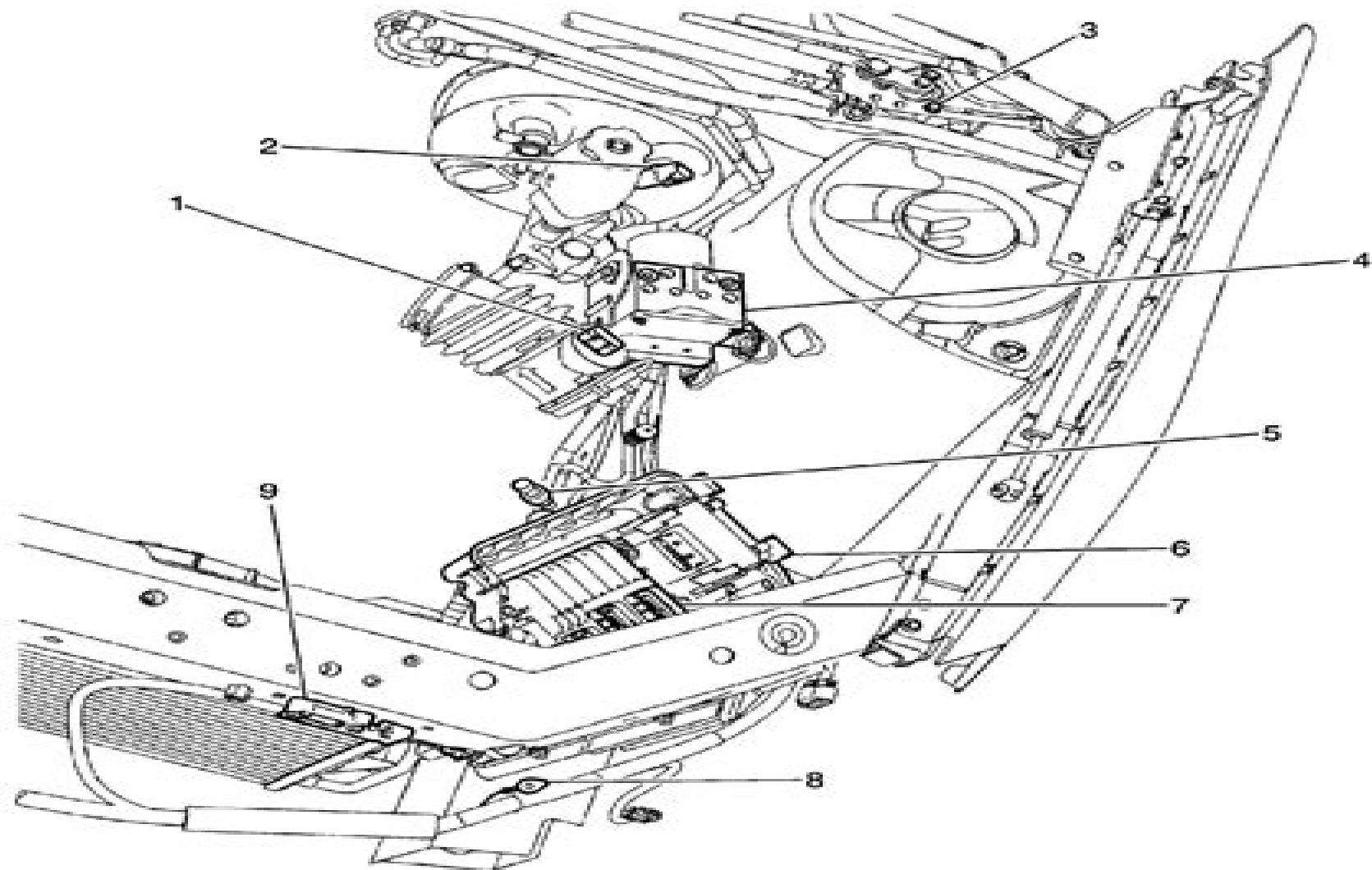


LF of the Engine Compartment



- 1 - Mass Air Flow (MAF) / Intake Air Temperature (IAT) Sensor
- 2 - Brake Fluid Level Switch
- 3 - Windshield Wiper Motor
- 4 - Electronic Brake Control Module (EBCM)
- 5 - A/C Refrigerant Pressure Sensor
- 6 - Transmission Control Module (TCM)
- 7 - Engine Control Module (ECM)
- 8 - G101
- 9 - Inflatable Restraint Front end Sensor - Left

Engine Diagram For 20chevy Impala

JS Bruner



Engine Diagram For 20chevy Impala:

Chevrolet Parts Interchange Manual, 1959-1970 Paul A. Herd, Swapping or interchanging parts is a time honored practice and this book is the source for Chevrolet parts interchanges *Cars & Parts* ,2001-07 **Catalog of Copyright Entries. Third Series** Library of Congress. Copyright Office,1973 *Low Rider* ,2007 **Chevrolet Small Block V-8 Interchange Manual** David Lewis, In production for over 20 years nearly every Chevrolet V 8 passenger sedan is powered by this engine This comprehensive manual is packed with photos and detailed information *Amendments to the National Traffic and Motor Vehicle Safety Act of 1966* United States. Congress. House. Committee on Interstate and Foreign Commerce. Subcommittee on Commerce and Finance,1973 Chevelle/El Camino Handbook Chevy High Performance Magazine,2004 Now readers can turn their Chevelle or El Camino into the ultimate street machine Here is a compilation of tech articles from Chevy High Performance the most popular magazine among Chevy enthusiasts Includes articles on engine performance tires wheels suspension bodywork exhaust and interior modifications It s the the latest collaboration of the authors of Hot Rod Car Craft Chevy High Performance among others Complete with over 300 photos and illustrations

The Crew Chief's Son Michael L. Clements,2014-01-10 In this memoir Michael Clements recounts growing up in the early days of stock car racing From 1957 through 1965 his father Louie travelled the NASCAR circuit bringing his wife and five children along to every race Owner and crew chief for champion driver Rex White Louie introduced many mechanical innovations still used in NASCAR today and his children grew up on the road between races befriending many racing legends along the way Clements memoir is full of stories about NASCAR s early era and the men and women who built the sport It includes a wealth of never before seen photographs from his personal collection **Chevy Small-Block V-8 Interchange Manual, 2nd Edition** David Lewis,2009 The small block Chevrolet engine is the most popular engine in the world among performance enthusiasts and racers But with its popularity come certain problems and this book is your step by step go to manual *Popular Science* ,1970-10 Popular Science gives our readers the information and tools to improve their technology and their world The core belief that Popular Science and our readers share The future is going to be better and science and technology are the driving forces that will help make it better **Popular Mechanics** ,1976-09 Popular Mechanics inspires instructs and influences readers to help them master the modern world Whether it s practical DIY home improvement tips gadgets and digital technology information on the newest cars or the latest breakthroughs in science PM is the ultimate guide to our high tech lifestyle *Popular Science* ,1976-11 Popular Science gives our readers the information and tools to improve their technology and their world The core belief that Popular Science and our readers share The future is going to be better and science and technology are the driving forces that will help make it better **Popular Mechanics** ,1977-02 Popular Mechanics inspires instructs and influences readers to help them master the modern world Whether it s practical DIY home improvement tips gadgets and digital technology information on the newest cars or the latest

breakthroughs in science PM is the ultimate guide to our high tech lifestyle *Popular Science* ,1977-01 Popular Science gives our readers the information and tools to improve their technology and their world The core belief that Popular Science and our readers share The future is going to be better and science and technology are the driving forces that will help make it better **US Future Combat & Weapon Systems Handbook Volume 1 US Army Future Combat Systems Development** IBP, Inc,2013-08 2011 Updated Reprint Updated Annually US Future Combat Weapon Systems Handbook

Popular Mechanics ,1976-05 Popular Mechanics inspires instructs and influences readers to help them master the modern world Whether it s practical DIY home improvement tips gadgets and digital technology information on the newest cars or the latest breakthroughs in science PM is the ultimate guide to our high tech lifestyle *Popular Science* ,1977-06 Popular Science gives our readers the information and tools to improve their technology and their world The core belief that Popular Science and our readers share The future is going to be better and science and technology are the driving forces that will help make it better **How to Tune and Modify Your Camaro, 1982-1998** Jason Scott, Improve the power performance and good looks of your Camaro in every way Detailed chapters cover rebuilding the engine induction system and cylinder heads supercharging turbocharging and nitrous oxide injection camshaft and valvetrain exhaust system electronics and ignition transmission and driveline handling and suspension Covers all F body Camaros up to 1998

Popular Mechanics ,1977-06 Popular Mechanics inspires instructs and influences readers to help them master the modern world Whether it s practical DIY home improvement tips gadgets and digital technology information on the newest cars or the latest breakthroughs in science PM is the ultimate guide to our high tech lifestyle **American Aeronaut** ,1968

If you ally obsession such a referred **Engine Diagram For 20chevy Impala** book that will give you worth, acquire the entirely best seller from us currently from several preferred authors. If you want to comical books, lots of novels, tale, jokes, and more fictions collections are with launched, from best seller to one of the most current released.

You may not be perplexed to enjoy all book collections Engine Diagram For 20chevy Impala that we will unquestionably offer. It is not on the costs. Its nearly what you habit currently. This Engine Diagram For 20chevy Impala, as one of the most keen sellers here will totally be along with the best options to review.

https://staging.conocer.cide.edu/About/uploaded-files/default.aspx/Fundamentals_Of_Open_Pit_Mine_Planning_And_Design.pdf

Table of Contents Engine Diagram For 20chevy Impala

1. Understanding the eBook Engine Diagram For 20chevy Impala
 - The Rise of Digital Reading Engine Diagram For 20chevy Impala
 - Advantages of eBooks Over Traditional Books
2. Identifying Engine Diagram For 20chevy Impala
 - Exploring Different Genres
 - Considering Fiction vs. Non-Fiction
 - Determining Your Reading Goals
3. Choosing the Right eBook Platform
 - Popular eBook Platforms
 - Features to Look for in an Engine Diagram For 20chevy Impala
 - User-Friendly Interface
4. Exploring eBook Recommendations from Engine Diagram For 20chevy Impala
 - Personalized Recommendations
 - Engine Diagram For 20chevy Impala User Reviews and Ratings
 - Engine Diagram For 20chevy Impala and Bestseller Lists

5. Accessing Engine Diagram For 20chevy Impala Free and Paid eBooks
 - Engine Diagram For 20chevy Impala Public Domain eBooks
 - Engine Diagram For 20chevy Impala eBook Subscription Services
 - Engine Diagram For 20chevy Impala Budget-Friendly Options
6. Navigating Engine Diagram For 20chevy Impala eBook Formats
 - ePub, PDF, MOBI, and More
 - Engine Diagram For 20chevy Impala Compatibility with Devices
 - Engine Diagram For 20chevy Impala Enhanced eBook Features
7. Enhancing Your Reading Experience
 - Adjustable Fonts and Text Sizes of Engine Diagram For 20chevy Impala
 - Highlighting and Note-Taking Engine Diagram For 20chevy Impala
 - Interactive Elements Engine Diagram For 20chevy Impala
8. Staying Engaged with Engine Diagram For 20chevy Impala
 - Joining Online Reading Communities
 - Participating in Virtual Book Clubs
 - Following Authors and Publishers Engine Diagram For 20chevy Impala
9. Balancing eBooks and Physical Books Engine Diagram For 20chevy Impala
 - Benefits of a Digital Library
 - Creating a Diverse Reading Collection Engine Diagram For 20chevy Impala
10. Overcoming Reading Challenges
 - Dealing with Digital Eye Strain
 - Minimizing Distractions
 - Managing Screen Time
11. Cultivating a Reading Routine Engine Diagram For 20chevy Impala
 - Setting Reading Goals Engine Diagram For 20chevy Impala
 - Carving Out Dedicated Reading Time
12. Sourcing Reliable Information of Engine Diagram For 20chevy Impala
 - Fact-Checking eBook Content of Engine Diagram For 20chevy Impala
 - Distinguishing Credible Sources
13. Promoting Lifelong Learning

- Utilizing eBooks for Skill Development
 - Exploring Educational eBooks
14. Embracing eBook Trends
- Integration of Multimedia Elements
 - Interactive and Gamified eBooks

Engine Diagram For 20chevy Impala Introduction

Engine Diagram For 20chevy Impala Offers over 60,000 free eBooks, including many classics that are in the public domain. Open Library: Provides access to over 1 million free eBooks, including classic literature and contemporary works. Engine Diagram For 20chevy Impala Offers a vast collection of books, some of which are available for free as PDF downloads, particularly older books in the public domain. Engine Diagram For 20chevy Impala : This website hosts a vast collection of scientific articles, books, and textbooks. While it operates in a legal gray area due to copyright issues, its a popular resource for finding various publications. Internet Archive for Engine Diagram For 20chevy Impala : Has an extensive collection of digital content, including books, articles, videos, and more. It has a massive library of free downloadable books. Free-eBooks Engine Diagram For 20chevy Impala Offers a diverse range of free eBooks across various genres. Engine Diagram For 20chevy Impala Focuses mainly on educational books, textbooks, and business books. It offers free PDF downloads for educational purposes. Engine Diagram For 20chevy Impala Provides a large selection of free eBooks in different genres, which are available for download in various formats, including PDF. Finding specific Engine Diagram For 20chevy Impala, especially related to Engine Diagram For 20chevy Impala, might be challenging as theyre often artistic creations rather than practical blueprints. However, you can explore the following steps to search for or create your own Online Searches: Look for websites, forums, or blogs dedicated to Engine Diagram For 20chevy Impala, Sometimes enthusiasts share their designs or concepts in PDF format. Books and Magazines Some Engine Diagram For 20chevy Impala books or magazines might include. Look for these in online stores or libraries. Remember that while Engine Diagram For 20chevy Impala, sharing copyrighted material without permission is not legal. Always ensure youre either creating your own or obtaining them from legitimate sources that allow sharing and downloading. Library Check if your local library offers eBook lending services. Many libraries have digital catalogs where you can borrow Engine Diagram For 20chevy Impala eBooks for free, including popular titles. Online Retailers: Websites like Amazon, Google Books, or Apple Books often sell eBooks. Sometimes, authors or publishers offer promotions or free periods for certain books. Authors Website Occasionally, authors provide excerpts or short stories for free on their websites. While this might not be the Engine Diagram For 20chevy Impala full book , it can give you a taste of the authors writing style. Subscription Services Platforms like Kindle Unlimited or Scribd offer subscription-based

access to a wide range of Engine Diagram For 20chevy Impala eBooks, including some popular titles.

FAQs About Engine Diagram For 20chevy Impala Books

How do I know which eBook platform is the best for me? Finding the best eBook platform depends on your reading preferences and device compatibility. Research different platforms, read user reviews, and explore their features before making a choice. Are free eBooks of good quality? Yes, many reputable platforms offer high-quality free eBooks, including classics and public domain works. However, make sure to verify the source to ensure the eBook credibility. Can I read eBooks without an eReader? Absolutely! Most eBook platforms offer webbased readers or mobile apps that allow you to read eBooks on your computer, tablet, or smartphone. How do I avoid digital eye strain while reading eBooks? To prevent digital eye strain, take regular breaks, adjust the font size and background color, and ensure proper lighting while reading eBooks. What the advantage of interactive eBooks? Interactive eBooks incorporate multimedia elements, quizzes, and activities, enhancing the reader engagement and providing a more immersive learning experience. Engine Diagram For 20chevy Impala is one of the best book in our library for free trial. We provide copy of Engine Diagram For 20chevy Impala in digital format, so the resources that you find are reliable. There are also many Ebooks of related with Engine Diagram For 20chevy Impala. Where to download Engine Diagram For 20chevy Impala online for free? Are you looking for Engine Diagram For 20chevy Impala PDF? This is definitely going to save you time and cash in something you should think about. If you trying to find then search around for online. Without a doubt there are numerous these available and many of them have the freedom. However without doubt you receive whatever you purchase. An alternate way to get ideas is always to check another Engine Diagram For 20chevy Impala. This method for see exactly what may be included and adopt these ideas to your book. This site will almost certainly help you save time and effort, money and stress. If you are looking for free books then you really should consider finding to assist you try this. Several of Engine Diagram For 20chevy Impala are for sale to free while some are payable. If you arent sure if the books you would like to download works with for usage along with your computer, it is possible to download free trials. The free guides make it easy for someone to free access online library for download books to your device. You can get free download on free trial for lots of books categories. Our library is the biggest of these that have literally hundreds of thousands of different products categories represented. You will also see that there are specific sites catered to different product types or categories, brands or niches related with Engine Diagram For 20chevy Impala. So depending on what exactly you are searching, you will be able to choose e books to suit your own need. Need to access completely for Campbell Biology Seventh Edition book? Access Ebook without any digging. And by having access to our ebook online or by storing it on your computer, you have convenient answers with Engine Diagram For 20chevy Impala To

get started finding Engine Diagram For 20chevy Impala, you are right to find our website which has a comprehensive collection of books online. Our library is the biggest of these that have literally hundreds of thousands of different products represented. You will also see that there are specific sites catered to different categories or niches related with Engine Diagram For 20chevy Impala So depending on what exactly you are searching, you will be able to choose ebook to suit your own need. Thank you for reading Engine Diagram For 20chevy Impala. Maybe you have knowledge that, people have search numerous times for their favorite readings like this Engine Diagram For 20chevy Impala, but end up in harmful downloads. Rather than reading a good book with a cup of coffee in the afternoon, instead they juggled with some harmful bugs inside their laptop. Engine Diagram For 20chevy Impala is available in our book collection an online access to it is set as public so you can download it instantly. Our digital library spans in multiple locations, allowing you to get the most less latency time to download any of our books like this one. Merely said, Engine Diagram For 20chevy Impala is universally compatible with any devices to read.

Find Engine Diagram For 20chevy Impala :

fundamentals of open pit mine planning and design

fundamentals of analog circuits

furstnbg bk beauty

fundamentals of soils

furniture industry in the european union

fundamentals of nuclear science and engineering

future directions for the national science foundations arctic natural sciences program compass series

fundamentals of child development.

fundamentals of elementary mathematics; number systems and algebra

fundamentals probability

fundamentals of electric waves

fungi and environmental change

funny it doesnt sound jewish how yiddish songs and synagogue melodies.

fundamentals of physical chemistry 2nd edition

further contributions toward an understanding of the acrochaetium-rhodochorton complex of red algae

Engine Diagram For 20chevy Impala :

[the dog that bit people medium](#) - Jun 12 2023

web sep 10 2020 by james thurber public domain photo by rebekah howell on unsplash probably no one man should have as many dogs in his life as i have had but there was more pleasure than

[dog that bit people excerpt ohiomemory org](#) - Apr 10 2023

web the dog that bit people is the story of columbus native james thurber s airedale terrier muggs the worst of the many pet dogs he had during his lifetime not only did muggs bite family members neighbors and salesmen he also bit a congressman and lieutenant governor malloy while they were visiting thurber s father

[a note on thurber s dogs the new yorker](#) - Jul 13 2023

web nov 1 2012 but the alpha and the omega the two poles of thurber s dog lore are dogs from his columbus boyhood muggs the airedale portrayed in the dog that bit people and rex the bull

the dog that bit people james thurber english for all by - Sep 03 2022

web nov 30 2022 the humorous story the dog that bit people is an extract of james thurber s work my life and hard times this is an autobiographical work in which he writes the tales these tales are humorous and deal with his peculiar family life the book is about his youth in columbus ohio this is a humor and laughter story

[muggs james thurber s family airedale dog gets green lawn](#) - Jan 07 2023

web aug 16 2021 because let s face it thurber s short story the dog that bit people from a collection compiled in 1933 didn t make the airedale terrier seem very endearing it tells us how muggs

the dog that bit people by james thurber readandripe com - Oct 16 2023

web the dog that bit people 10 years ago curator 12 minutes probably no one man should have as many dogs in his life as i have had the dog that bit people by james thurber in my life and hard times share this article

[the president s dogs that bite people pressreader](#) - Oct 04 2022

web oct 8 2023 in the dog that bit people thurber wrote that there was a slight advantage in being one of the family for he muggs didn t bite the family as often as he bit strangers the truth is that several biting incidents involving not one of biden s dogs but two reflects more on biden than it does major or commander

james thurber s the dog that bit people a youtube - Dec 06 2022

web jun 19 2019 mcgee of 303 and learnstrong net lectures on james thurber s the dog that bit people a *thurber house biography literary center and james thurber* - Mar 09 2023

web thurber included dogs in many of his drawings saying that dogs represent balance serenity and are a sound creature in a crazy world one of thurber s most memorable dogs was an airedale terrier named muggs affectionately known as

just listen podcast the dog that bit people nashville public - Feb 08 2023

web jul 25 2021 the last twenty years of thurber s life were filled with material and professional success in spite of his blindness he died of complications from pneumonia in november of 1961 leaving behind a plethora of books for both children and adults short stories and cartoons and now for today s story james thurber s the dog that bit

my life and hard times wikipedia - May 11 2023

web my life and hard times my life and hard times is the 1933 autobiography of james thurber 1 it is considered his greatest work as he relates in bewildered deadpan prose the eccentric goings on of his family and the town beyond columbus ohio characters include the maid who lives in constant fear of being hypnotised a grandfather who

the dog that bit people by james thurber flashcards quizlet - May 31 2022

web learn test match created by bradley turner meep terms in this set 34 in the dog that bit people by james thurber how many dogs does the narrator have 45 46 in the dog that bit people by james thurber what dog gives the narrator the most trouble an airedale named muggs

dog bite laws in singapore pretty pets kennel - Aug 02 2022

web according to the miscellaneous offences public order and nuisance act 1906 pet owners will be charged with an offence and will be fined up to 5 000 worth if a dog bites a person aside from the fine dog owners must pay 2 000 in compensation for the injuries their dog has caused it is up to the court to determine the exact fine to be paid

the dog that bit people james thurber guided reading worksheet - Nov 05 2022

web this lesson contains a complete guided reading worksheet with 32 questions answer key included for the dog that bit people by james thurber free preview includes 7 of the 32 questions with key this worksheet is designed with cost effective photocopying in mind this is a two page worksheet that can be combined to a front back copy using

the dog that bit people james thurber easy to understand youtube - Jul 01 2022

web the dog that bit people by james thurber easy to understand for b g 4th and 6th sem educationcenter999grammar youtu be cishb4xci18group discussion i

the president s dogs that bite people el dorado news - Apr 29 2022

web oct 5 2023 the president s dogs that bite people october 5 2023 at 12 00 a m by tom purcell president biden is being dogged by a unique white house problem about a week ago biden s german shepherd

please provide a summary and analysis for james thurber s - Aug 14 2023

web expert answers d reynolds m a certified educator share cite this 1933 shorty story is a humorous account of life with a dog named muggs muggs an airedale has a mind of his own for

download free dog that bit people thurber - Feb 25 2022

web dog that bit people thurber the curious incident of the dog in the night time feb 19 2023 national bestseller a modern classic both poignant and funny about a boy with autism who sets out to solve the murder of a neighbor s dog and discovers unexpected truths about himself and the world

10 dog breeds most likely to bite humans with dog bite statistics - Mar 29 2022

web aug 31 2023 the 10 dog breeds most likely to bite humans are 1 rottweiler image credit elzloy shutterstock rottweilers are large strong dogs who were bred to be cattle dogs over the years their powerful jaws and protective instincts have made them one of the dogs that are most likely to bite a human

the dog that bit people by james thurber goodreads - Sep 15 2023

web thurber had two brothers william and robert once while playing a game of william tell his brother william shot james in the eye with an arrow because of the lack of medical technology thurber lost his eye this injury would later cause him to be almost entirely blind during his childhood he was unable to participate in sports and

request to bank for installation of a atm machine - Apr 11 2023

web how to write a formal request to your local bank for the installation of an atm or credit card machine check out the sample letter

letter to bank for issuing new atm card ca club - Dec 27 2021

web nov 28 2015 if you are not sure about framing such a letter then here is a formal sample of letter to bank for issuing a new atm card use this template for framing a customized draft which is complete in information format for letter to bank for issuing new atm card andrew cullen 123 prospect ave apt 111 hollister california ph 123 456 78 date 28

request letter to bank format with 5 samples - Jul 14 2023

web letter to bank manager for request a new atm card this letter is written to the bank manager of a bank by an account holder who has lost their atm card it should contain your name account number and details of how the card was lost

atm block application samples template format and more - Mar 30 2022

web mar 14 2023 subject request to block atm card due to theft dear sir madam i am writing this letter to request you to block my atm card with immediate effect unfortunately my wallet containing the atm card along with other important documents was stolen yesterday while i was travelling in a local train

new atm card request letter check the format and sample letters - Mar 10 2023

web almost all the banks will ask you to write an email or a new atm card request letter for the same table of contents how to write an atm card request letter new atm card request letter format samples of letter to bank manager for atm card letter for new atm card application for renewing atm card frequently asked questions on new

atm card request letter format new atm card request sample - Jul 02 2022

web nov 24 2021 the branch manager new bank bhopal branch date sub request new atm card for account no 0123456700 respected sir madam i am darsh kumar a savings account holder of new bank bhopal branch i am writing this application to request a new atm card for my account 0123456700

4 sample atm card request letter templates - Jun 13 2023

web apr 21 2023 sample atm card request letter 1 your name your address city state zip code email address phone number date bank name bank branch bank address city state zip code subject request for a new atm card dear bank manager s name i am writing to request a new atm card for my account with your

application for atm card how to write format and sample atm - Jan 08 2023

web sample letter for atm card sample atm card application letter frequently asked questions on atm card application letter writing an application for atm card things to remember if you have recently started a new bank account or if you have lost your atm card you can write a letter requesting your bank manager to provide you with an atm

indian bank atm card request letter cbse library - Aug 03 2022

web jun 4 2022 indian bank atm card request letter sample request for issuing indian bank atm card faq s on indian bank atm card request letter indian bank atm card request letter writing tips the bank request letter can be written in a particular format in which all the information regarding bank address bank customer account information

request letter for new atm card bizzlibrary com - Jun 01 2022

web nov 3 2020 request letter for new atm card how can i write a letter to bank manager for new atm card download this request letter for new atm card and use after a few amendments

atm block application format and sample letters toppr - Oct 05 2022

web aug 9 2022 have a look at the sample letters given below to correctly write atm block applications sample letter 1 request to block atm card because of theft roman reigns francis apartment hyderabad 301011 date 9 august 2022 bank manager idbi bank hyderabad 310021 sub request to block my atm card because of theft

request application for atm card from bank manager qs study - Nov 06 2022

web through this letter i would like to request you to issue a new atm cum debit card to me describe in your words my account number is please issue an atm card for my account i shall be grateful if you could inform me the procedure to apply for the card i would also like to know the duration to obtain the card once applied

bank atm card replacement request letter smart letters - Jan 28 2022

web jan 11 2016 usually the customer is asked to visit the bank personally in order to get a new atm card but even before that the customer has to make an official request with the bank in order to start the process of issuance of a new atm card and this letter is the starting point of that process sample request letter for replacement of bank atm card

draft request letter to bank offering space for atm installation - Sep 04 2022

web in choose proposal letter you shouldn't try to cover all one important click respecting the offer viz details of the premises lease terms repairs and maintenance etc here is a sample of a proposal letter to the bank offering premises available installation away

request letter for replacement of lost atm card sample letter - Feb 26 2022

web jun 17 2022 this is to inform you that on date when i was traveling to location i got to know that i have lost my atm card bearing card account details in the name of name so i request you to block my atm card and all the transactions for the time being

request to bank for installation of a atm machine templates at - Dec 07 2022

web how to write a formal request at your local bank for of installing von an atm or credit card machine we provide a perfectly written application for bank in installation from into atm machine the fits your needs

new atm card request letter format sbi letters easy - Apr 30 2022

web here is the sample of new atm card request letter format sbi dear sir madam i would like to request a new atm card for my account at your bank my account number is xxxxxxxxxx and my name is your name my current card is expiring soon and i would like to have a new one issued before it expires

atm card apply letter check the format and samples here - Feb 09 2023

web mar 29 2023 atm card apply letter samples the above mentioned format is enough to understand the basic format of the atm card apply letter however you might have some confusion when actually writing the letter given below are some samples to make you understand the format better atm card apply letter sample 1 new atm card

request application for atm card format and samples toppr - May 12 2023

web atm cards have replaced the hard cash in our pockets technology has become so advanced that atm cards have mitigated money thefts all over the world this article will help you write the correct application for atm card to your bank we have also included a few samples for your reference

new atm card request letter format and sample letters toppr - Aug 15 2023

web jan 12 2022 sample letters on the new atm card request an atm card request letter is written for the issue of an atm card or an additional atm card if you already have one read all the sample letters below to learn how to write an atm card request letter sample letter 1 request to issue an additional atm card simran mittal 134 vidyut

dampfturbinen einfuhrung in bau und betrieb - Aug 03 2022

web dampfturbinen werden als zeitgemäßes kompendium für fortgeschrittene studierende berufseinsteiger und ingenieure in der praxis umfassend und detailliert dargestellt nach grundlagen bauteilen und komponenten werden ausgewählte

ausführungsbeispiele beschrieben und diskutiert praxisingerechte beispiele und fragen zum betrieb

[dampfturbinen einführung in bau und betrieb by hans walter](#) - Mar 30 2022

web einführung in bau und betrieb des dampfturbinenlokomotive dampfturbinen einführung in bau und betrieb roemer hans

bau und betrieb der kanalisation pdf download karolholden handbuch dampfturbinen grundlagen konstruktion betrieb

dekarbonisierung befeuert gas und dampfturbinen dampfturbine kernkraftwerk

dampfturbinentechnologie funktionsweise und einsatz energie - Feb 09 2023

web may 14 2017 funktionsweise einer dampfturbine entsalztes wasser wird in einem dampferzeuger unter hitze bei sehr

hohem druck verdampft dieser dampf treibt die turbinenräder an wodurch dieser entspannt wird d h sowohl der druck als

auch die temperatur werden reduziert damit der dampf weiter abkühlt wird dieser einem

dampfturbinen einführung in bau und betrieb by hans walter - Jul 02 2022

web betrieb des dampfturbinen und dampfturbinenbetrieb 2020 vgb gas und dampfturbinen b amp r industrial automation

dampfturbinen einführung in bau und betrieb roemer hans schiffsmaschine dampfturbinen und nebenanlagen technik und

betriebsführung gas dampfturbine vereinfacht gas und

dampfturbinen einführung in bau und betrieb by hans walter - Apr 30 2022

web dampfturbinen ingenieur jobs mai 2020 indeed dampfturbinen einführung in bau und betrieb roemer hans gas und

dampfturbinen kraftwerke bn automation ag modell einer dampfturbine bdew e rechnung in der bundesverwaltung schütze

ag betrieb von dampfturbinen springerlink

dampfturbine in physik schülerlexikon lernhelfer - Jan 08 2023

web dampfturbinen sind wärme kraftmaschinen bei denen die energie von wasserdampf in kinetische energie einer

rotationsbewegung umgewandelt wird sie dienen in kraftwerken zum antrieb von generatoren erste versuche zur

konstruktion von dampfturbinen gab es schon im 19 jahrhundert mit der entwicklung der dynamomaschinen generatoren

dampfturbinen und nebenanlagen technik und betriebsführung - Aug 15 2023

web sie erhalten fundiertes theorie und praxiswissen zur aktuellen technologie von dampfturbinen und nebenanlagen sowie

zu pumpen kältetürmen kondensatoren und zur Ölversorgung sie sind in die lage ihre dampfturbinen wirtschaftlich

störungsfrei und fachkundig zu betreiben

[dampfturbinen einführung in bau und betrieb pdf uniport edu](#) - May 12 2023

web jul 14 2023 dampfturbinen einführung in bau und betrieb 2 7 downloaded from uniport edu ng on july 14 2023 by guest

anleitung zur durchführung von versuchen an dampfmaschinen dampfkesseln dampfturbinen und dieselmotoren franz

seufert 2019 06 12 dieser buchtitel ist teil des digitalisierungsprojekts springer book archives

dampfturbinen einführung in bau und betrieb by hans walter - Dec 27 2021

web einfuehrung in bau und betrieb des dampfturbine 3d cad modelle 2d zeichnungen dampfturbinen und dampfturbinenbetrieb 2020 vgb das automobil eine einfuehrung in bau und betrieb des flugzeugtraeger b aerodynamische auslegung moderner niederdruck dampfturbinen membrantechnik für

[dampfturbinen einfuehrung in bau und betrieb by hans walter](#) - Jun 13 2023

web betrieb dampfturbinen einfuehrung in bau und betrieb roemer hans auslegung einer dampfturbine uni hamburg de gas und dampfturbinen kraftwerk köln niehl 3 dampfturbinen einfuehrung in bau und betrieb book 1972 modell einer dampfturbine bdew die dampfturbine im betriebe errichtung das automobil eine einfuehrung in bau und

dampfturbinen einfuehrung in bau und betrieb by hans walter - Jan 28 2022

web dna dampfturbinen einfuehrung in bau und betrieb roemer hans schiffsmaschine dampfturbinen und nebenanlagen technik und betriebsfuehrung das automobil eine einfuehrung in bau und betrieb des download kolbenverdichter einfuehrung in arbeitsweise bau vgb fachtagung dampfturbinen und dampfturbinenbetrieb 2018

[dampfturbine wikipedia](#) - Mar 10 2023

web eine dampfturbine ist eine waermekraftmaschine zur umwandlung der waermeenergie des wasserdampfes in rotationsenergie diese wird hauptsaechlich genutzt zum antrieb eines synchrongenerators zur stromerzeugung die dampfturbine besteht im wesentlichen aus einem gehaeuse mit dort eingebrachten leitschaufeln und einer schnell rotierenden

[dampfturbinen einfuehrung in bau und betrieb copy](#) - Feb 26 2022

web decoding dampfturbinen einfuehrung in bau und betrieb revealing the captivating potential of verbal expression in an era characterized by interconnectedness and an insatiable thirst for knowledge the captivating

dampfturbinen einfuehrung in bau und betrieb by hans walter - Sep 04 2022

web eine einfuehrung in bau und betrieb des aerodynamische auslegung moderner niederdruck dampfturbinen dampfturbinen einfuehrung in bau und betrieb roemer hans download kolbenverdichter einfuehrung in arbeitsweise bau dampfturbine 3d cad

dampfturbinen einfuehrung in bau und betrieb by hans walter - Apr 11 2023

web geeignete strategien für einen sicheren und störungsfreien betrieb kennen nutzen sie erhalten fundiertes theorie und praxiswissen zur aktuellen technologie von dampfturbinen und nebenanlagen sowie zu pumpen kältetürmen kondensatoren und zur ölversung praxiserrechte beispiele und fragen zum betrieb und einsatz von dampfturbinen

[dampfturbinen einfuehrung in bau und betrieb 2023](#) - Jun 01 2022

web dampfturbinen einfuehrung in bau und betrieb whispering the techniques of language an mental quest through dampfturbinen einfuehrung in bau und betrieb in a digitally driven world where monitors reign great and immediate connection drowns out the subtleties of language the profound strategies and psychological subtleties concealed within words

dampfturbinen einfuhrung in bau und betrieB - Jul 14 2023

web dargestellt nach grundlagen bauteilen und komponenten werden ausgewählte ausfuhrungsbeispiele beschrieben und diskutiert praxisgerechte beispiele und fragen zum betrieB und einsatz von dampfturbinen runden die darstellung ab bau und betrieB des kraftwerkes herbert kyser 2013 11 27

dampfturbinen einfuhrung in bau und betrieB pdf uniport edu - Nov 06 2022

web aug 14 2023 pronouncement dampfturbinen einfuhrung in bau und betrieB can be one of the options to accompany you as soon as having further time it will not waste your time recognize me the e book will enormously reveal you new issue to read just invest little grow old to admission this on line broadcast dampfturbinen einfuhrung in bau und

dampfturbinen einfuhrung in bau und betrieB - Oct 05 2022

web what you obsession currently this dampfturbinen einfuhrung in bau und betrieB as one of the most operational sellers here will utterly be in the midst of the best options to review bau und berechnung der dampfturbinen franz seufert 2013 03 08 dieser buchtitel ist teil des digitalisierungsprojekts springer book archives mit publikationen

dampfturbinenregelung emerson de - Dec 07 2022

web die ovation nachrüstsysteme für die turbinenregelung beinhalten drehzahl und lastregelung erkennung von Überbeanspruchung des turbinenrotors automatische turbineninbetriebnahme und ablaufsteuerung sowie komplette upgrades des mechanischen und hydraulischen systems fragen sie einen spezialisten hier