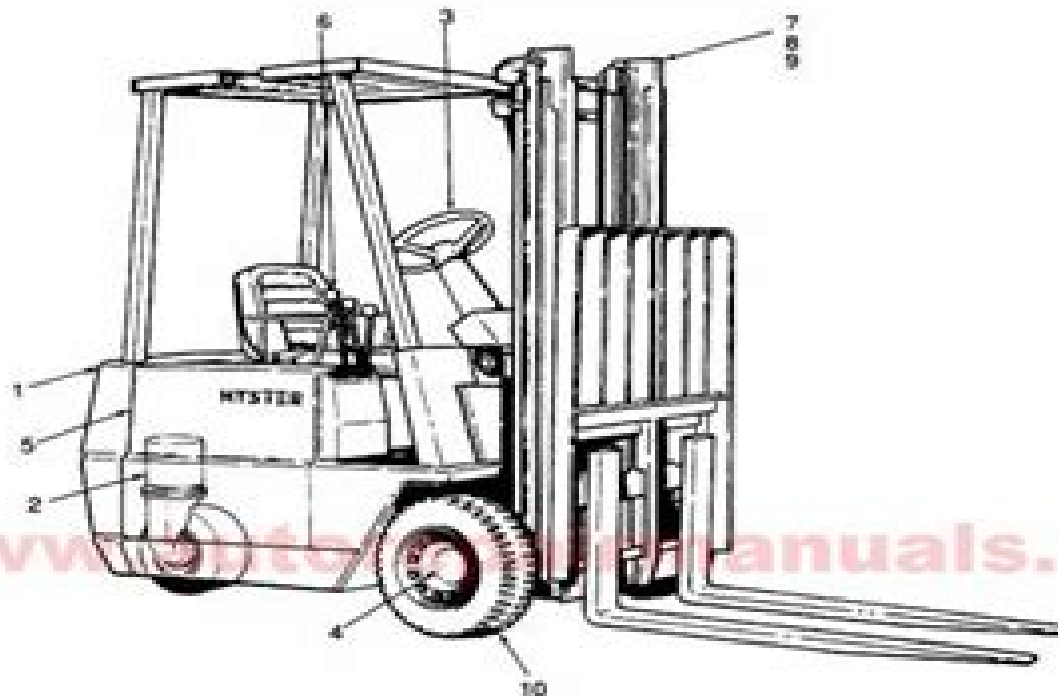


ILLUSTRATED CONTENTS

REF	SECTION	PAGE
1	FRAME	Page 3
2	MASTER DRIVE UNIT	Page 13
3	STEERING	Page 23
4	BRAKE	Page 33
5	ELECTRICAL SYSTEM	Page 43
6	HYDRAULIC SYSTEM	Page 57
7	TWO-STAGE LIMITED FREE LIFT MAST	Page 73
8	THREE-STAGE FULL FREE LIFT MAST	Page 83
9	TWO-STAGE FULL FREE LIFT MAST	Page 97
10	OPTIONAL EQUIPMENT	Page 111
11	NUMERICAL INDEX	Page 125

Hyster Forklift Manual 80 XI

BM King



Hyster Forklift Manual 80 XI:

July 2023 - Surplus Record Machinery & Equipment Directory Tom Scanlan, SURPLUS RECORD is the leading independent business directory of new and used capital equipment machine tools machinery and industrial equipment listing over 110 000 industrial assets since 1924 including metalworking and fabricating machine tools lathes cnc equipment machine centers woodworking equipment food equipment chemical and process equipment cranes air compressors pumps motors circuit breakers generators transformers turbines and more Over 1 100 businesses list with the SURPLUS RECORD July 2023 issue Vol 100 No 7

June 2023 - Surplus Record Machinery & Equipment Directory Tom Scanlan, SURPLUS RECORD is the leading independent business directory of new and used capital equipment machine tools machinery and industrial equipment listing over 110 000 industrial assets since 1924 including metalworking and fabricating machine tools lathes cnc equipment machine centers woodworking equipment food equipment chemical and process equipment cranes air compressors pumps motors circuit breakers generators transformers turbines and more Over 1 100 businesses list with the SURPLUS RECORD June 2023 issue Vol 100 No 6

May 2023 - Surplus Record Machinery & Equipment Directory Tom Scanlan, 2023-05-01 SURPLUS RECORD is the leading independent business directory of new and used capital equipment machine tools machinery and industrial equipment listing over 110 000 industrial assets since 1924 including metalworking and fabricating machine tools lathes cnc equipment machine centers woodworking equipment food equipment chemical and process equipment cranes air compressors pumps motors circuit breakers generators transformers turbines and more Over 1 100 businesses list with the SURPLUS RECORD May 2023 issue Vol 100 No 5

Materials Handling News ,1983 *Hyster Service Manual: Spacesaver S60B, S70B, S80B, S100B and Challenger H60C, H70C, H80C, H100C, H120C (fork Lift Trucks)*. Hyster Company,1975 *The Northern Logger and Timber Processor* ,1998 *Farmers and Consumers Market Bulletin* ,2010 **Operator's Manual** ,1991 Operator's Manual ,1991 *Hyster V.a. 70 Fork Lift Truck Operations Manual* J. B. Hopkinson,R. O. Newberry,1962

Unveiling the Power of Verbal Artistry: An Emotional Sojourn through **Hyster Forklift Manual 80 XI**

In a world inundated with screens and the cacophony of instant conversation, the profound energy and psychological resonance of verbal art often disappear into obscurity, eclipsed by the regular assault of noise and distractions. However, nestled within the musical pages of **Hyster Forklift Manual 80 XI**, a fascinating perform of literary beauty that pulses with raw emotions, lies an unforgettable journey waiting to be embarked upon. Published by a virtuoso wordsmith, this magical opus manuals viewers on an emotional odyssey, lightly revealing the latent potential and profound influence stuck within the elaborate web of language. Within the heart-wrenching expanse of this evocative analysis, we can embark upon an introspective exploration of the book is main subjects, dissect their captivating writing fashion, and immerse ourselves in the indelible effect it leaves upon the depths of readers souls.

https://staging.conocer.cide.edu/files/scholarship/default.aspx/hermenevmata_psevdodositheana_leidensia_bibliothe.pdf

Table of Contents Hyster Forklift Manual 80 XI

1. Understanding the eBook Hyster Forklift Manual 80 XI
 - The Rise of Digital Reading Hyster Forklift Manual 80 XI
 - Advantages of eBooks Over Traditional Books
2. Identifying Hyster Forklift Manual 80 XI
 - Exploring Different Genres
 - Considering Fiction vs. Non-Fiction
 - Determining Your Reading Goals
3. Choosing the Right eBook Platform
 - Popular eBook Platforms
 - Features to Look for in an Hyster Forklift Manual 80 XI
 - User-Friendly Interface
4. Exploring eBook Recommendations from Hyster Forklift Manual 80 XI
 - Personalized Recommendations

- Hyster Forklift Manual 80 XI User Reviews and Ratings
- Hyster Forklift Manual 80 XI and Bestseller Lists
- 5. Accessing Hyster Forklift Manual 80 XI Free and Paid eBooks
 - Hyster Forklift Manual 80 XI Public Domain eBooks
 - Hyster Forklift Manual 80 XI eBook Subscription Services
 - Hyster Forklift Manual 80 XI Budget-Friendly Options
- 6. Navigating Hyster Forklift Manual 80 XI eBook Formats
 - ePub, PDF, MOBI, and More
 - Hyster Forklift Manual 80 XI Compatibility with Devices
 - Hyster Forklift Manual 80 XI Enhanced eBook Features
- 7. Enhancing Your Reading Experience
 - Adjustable Fonts and Text Sizes of Hyster Forklift Manual 80 XI
 - Highlighting and Note-Taking Hyster Forklift Manual 80 XI
 - Interactive Elements Hyster Forklift Manual 80 XI
- 8. Staying Engaged with Hyster Forklift Manual 80 XI
 - Joining Online Reading Communities
 - Participating in Virtual Book Clubs
 - Following Authors and Publishers Hyster Forklift Manual 80 XI
- 9. Balancing eBooks and Physical Books Hyster Forklift Manual 80 XI
 - Benefits of a Digital Library
 - Creating a Diverse Reading Collection Hyster Forklift Manual 80 XI
- 10. Overcoming Reading Challenges
 - Dealing with Digital Eye Strain
 - Minimizing Distractions
 - Managing Screen Time
- 11. Cultivating a Reading Routine Hyster Forklift Manual 80 XI
 - Setting Reading Goals Hyster Forklift Manual 80 XI
 - Carving Out Dedicated Reading Time
- 12. Sourcing Reliable Information of Hyster Forklift Manual 80 XI
 - Fact-Checking eBook Content of Hyster Forklift Manual 80 XI

- Distinguishing Credible Sources
13. Promoting Lifelong Learning
 - Utilizing eBooks for Skill Development
 - Exploring Educational eBooks
 14. Embracing eBook Trends
 - Integration of Multimedia Elements
 - Interactive and Gamified eBooks

Hyster Forklift Manual 80 Xl Introduction

In the digital age, access to information has become easier than ever before. The ability to download Hyster Forklift Manual 80 Xl has revolutionized the way we consume written content. Whether you are a student looking for course material, an avid reader searching for your next favorite book, or a professional seeking research papers, the option to download Hyster Forklift Manual 80 Xl has opened up a world of possibilities. Downloading Hyster Forklift Manual 80 Xl provides numerous advantages over physical copies of books and documents. Firstly, it is incredibly convenient. Gone are the days of carrying around heavy textbooks or bulky folders filled with papers. With the click of a button, you can gain immediate access to valuable resources on any device. This convenience allows for efficient studying, researching, and reading on the go. Moreover, the cost-effective nature of downloading Hyster Forklift Manual 80 Xl has democratized knowledge. Traditional books and academic journals can be expensive, making it difficult for individuals with limited financial resources to access information. By offering free PDF downloads, publishers and authors are enabling a wider audience to benefit from their work. This inclusivity promotes equal opportunities for learning and personal growth. There are numerous websites and platforms where individuals can download Hyster Forklift Manual 80 Xl. These websites range from academic databases offering research papers and journals to online libraries with an expansive collection of books from various genres. Many authors and publishers also upload their work to specific websites, granting readers access to their content without any charge. These platforms not only provide access to existing literature but also serve as an excellent platform for undiscovered authors to share their work with the world. However, it is essential to be cautious while downloading Hyster Forklift Manual 80 Xl. Some websites may offer pirated or illegally obtained copies of copyrighted material. Engaging in such activities not only violates copyright laws but also undermines the efforts of authors, publishers, and researchers. To ensure ethical downloading, it is advisable to utilize reputable websites that prioritize the legal distribution of content. When downloading Hyster Forklift Manual 80 Xl, users should also consider the potential security risks associated with online platforms. Malicious actors may exploit vulnerabilities in unprotected websites to distribute malware or steal personal

information. To protect themselves, individuals should ensure their devices have reliable antivirus software installed and validate the legitimacy of the websites they are downloading from. In conclusion, the ability to download Hyster Forklift Manual 80 XI has transformed the way we access information. With the convenience, cost-effectiveness, and accessibility it offers, free PDF downloads have become a popular choice for students, researchers, and book lovers worldwide. However, it is crucial to engage in ethical downloading practices and prioritize personal security when utilizing online platforms. By doing so, individuals can make the most of the vast array of free PDF resources available and embark on a journey of continuous learning and intellectual growth.

FAQs About Hyster Forklift Manual 80 XI Books

What is a Hyster Forklift Manual 80 XI PDF? A PDF (Portable Document Format) is a file format developed by Adobe that preserves the layout and formatting of a document, regardless of the software, hardware, or operating system used to view or print it. **How do I create a Hyster Forklift Manual 80 XI PDF?** There are several ways to create a PDF: Use software like Adobe Acrobat, Microsoft Word, or Google Docs, which often have built-in PDF creation tools. Print to PDF: Many applications and operating systems have a "Print to PDF" option that allows you to save a document as a PDF file instead of printing it on paper. Online converters: There are various online tools that can convert different file types to PDF. **How do I edit a Hyster Forklift Manual 80 XI PDF?** Editing a PDF can be done with software like Adobe Acrobat, which allows direct editing of text, images, and other elements within the PDF. Some free tools, like PDFescape or Smallpdf, also offer basic editing capabilities. **How do I convert a Hyster Forklift Manual 80 XI PDF to another file format?** There are multiple ways to convert a PDF to another format: Use online converters like Smallpdf, Zamzar, or Adobe Acrobats export feature to convert PDFs to formats like Word, Excel, JPEG, etc. Software like Adobe Acrobat, Microsoft Word, or other PDF editors may have options to export or save PDFs in different formats. **How do I password-protect a Hyster Forklift Manual 80 XI PDF?** Most PDF editing software allows you to add password protection. In Adobe Acrobat, for instance, you can go to "File" -> "Properties" -> "Security" to set a password to restrict access or editing capabilities. Are there any free alternatives to Adobe Acrobat for working with PDFs? Yes, there are many free alternatives for working with PDFs, such as: LibreOffice: Offers PDF editing features. PDFsam: Allows splitting, merging, and editing PDFs. Foxit Reader: Provides basic PDF viewing and editing capabilities. How do I compress a PDF file? You can use online tools like Smallpdf, ILovePDF, or desktop software like Adobe Acrobat to compress PDF files without significant quality loss. Compression reduces the file size, making it easier to share and download. Can I fill out forms in a PDF file? Yes, most PDF viewers/editors like Adobe Acrobat, Preview (on Mac), or various online tools allow you to fill out forms in PDF files by selecting text fields and entering

information. Are there any restrictions when working with PDFs? Some PDFs might have restrictions set by their creator, such as password protection, editing restrictions, or print restrictions. Breaking these restrictions might require specific software or tools, which may or may not be legal depending on the circumstances and local laws.

Find Hyster Forklift Manual 80 XI :

hermenevmeta psevdodositheana leidensia bibliothe

hi im adam a childs about tourette syndrome

~~heredity and human progress~~

hey thats mine a childs about sharing

heres that kitten

~~hermeneutics of african philosophy horizon and discourse~~

hey jude

herman melville and the critics

here is your enemy

heroic virtue comic infidelity reabeing marguerite de navarres heptameron

heroic america james daughertys mural dr

here come the holidays stories and poems

here the country lies nationalism and the arts

hey god got a minute

hh-more about letters

Hyster Forklift Manual 80 XI :

Vocabulary for Achievement: Third Course - 9780669517576 Our resource for Vocabulary for Achievement: Third Course includes answers to chapter exercises, as well as detailed information to walk you through the process ... Vocabulary for Achievement Third Course Lesson 1-30 English Vocabulary Words Learn with flashcards, games, and more — for free. Vocabulary For Achievement 3rd Course | PDF | Languages Vocabulary for Achievement 3rd Course - Free ebook download as PDF File (.pdf) or read book online for free. Vocabulary for Achievement. Vocabulary For Achievement (Third Course) Lessons 1-16 Study Flashcards On Vocabulary for Achievement (Third Course) Lessons 1-16 at Cram.com. Quickly memorize the terms, phrases and much more. Vocabulary for Achievement Grade 9 Teacher's Edition The Vocabulary for Achievement

series from Great Source is designed to help students develop the vocabulary skills and strategies they need to read, understand, ... Vocabulary for Achievement Grade 9 Student Book Third ... The Vocabulary for Achievement series from Great Source is designed to help students develop the vocabulary skills and strategies they need to read, understand, ... Vocabulary Achievement 3rd Course by Great Source Great Source Vocabulary for Achievement: Workbook, Grade 9, 3rd Course (Great Source Vocabulary for Achievement) by GREAT SOURCE and a great selection of ... Vocabulary for Achievement, 3rd Course, Grade 9: ... Vocabulary for Achievement, 3rd Course, Grade 9: Teacher's Edition. 4th Edition. ISBN-13: 978-0669517644, ISBN ... Vocabulary for Achievement: Third Course Get free shipping on Vocabulary for Achievement: Third Course Edition:1st ISBN13:9780669517576 from TextbookRush at a great price and get free shipping on ... 2005 XJ8L Suspension Diagram Sep 10, 2013 — XJ XJ6 / XJ8 / XJR (X350 & X358) - 2005 XJ8L Suspension Diagram - Is there a diagram that shows all associated front and rear suspension ... Jaguar XJ8 Air Suspension Compressor Line - C2C9925 Buy Jaguar XJ8 Air Suspension Compressor Line. Ride control components. Tube, Valve, Connector - OEM Jaguar Part # C2C9925. Jaguar XJ8 Active Suspension Control Module - C2C37299 Buy Jaguar XJ8 Active Suspension Control Module. Ride control components; rear suspension - OEM Jaguar Part # C2C37299 (C2C1922, C2C22388, C2C22604, C2C24172). XJ204-06 Air Suspension System Diagnostics.pdf Issue: This Technical Bulletin has been issued to aid in the diagnosis of air suspension system faults. Action: The following Service Instruction will assist in ... 2004-2009 Jaguar XJ8 4 Wheel Air Suspension ... Strutmasters 2004-2009 Jaguar XJ8 Four Wheel Air Strut To Coil Over Strut Conversion Kit is the perfect solution to your air suspension problems. Designed to be ... 2004 jaguar xj8. 2 new front air struts. Inflate but after Mar 15, 2022 — 2 new front air struts. Inflate but after 30 minutes of driving, air suspension fault light comes on and air goes out/ car dips front/grinds. 2004 Jaguar XJ - Air Suspension Fault Jun 10, 2021 — The suspension struts are well know for leaking at the top seal after a few years. This will lead to the car dropping down overnight. The ASM ... Why Your Jaguar XJ8 Suspension is Failing, and ... Oct 21, 2018 — Another major problem is that air suspensions are made of moving, rather than static parts. Moving parts are guaranteed to wear down over time ... Don't Let Me Be Lonely Sep 1, 2004 — Don't Let Me Be Lonely is an important new confrontation with our culture right now, with a voice at its heart bewildered by the anxieties of ... Don't Let Me Be Lonely: Rankine, Claudia In this powerful sequence of TV images and essay, Claudia Rankine explores the personal and political unrest of our volatile new century Don't Let Me Be Lonely Tonight (2019 Remaster) Don't Let Me Be Lonely Tonight (2019 Remaster) ; James Taylor - Fire And Rain (BBC In Concert, 11/16/1970) · 6.8M views ; Secret O' Life · 305K ... Don't Let Me Be Lonely "Don't Let Me Be Lonely" is a song recorded by American country music group The Band Perry. It was released in August 2013 as the third single from their ... Don't Let Me Be Lonely Provided to YouTube by Universal Music Group Don't Let Me Be Lonely · The Band Perry Pioneer □ 2013 Big Machine Label Group, LLC Released ... Don't Let Me Be Lonely - Claudia Rankine In this powerful sequence of TV images and essay, Claudia Rankine explores the personal and political

unrest of our volatile new century. Don't Let Me Be Lonely [There was a time] by Claudia ... It is this simple: Resistance will only make matters more difficult. Any resistance will only make matters worse. By law, I will have to restrain you. His tone ... Don't Let Me Be Lonely A brilliant and unsparing examination of America in the early twenty-first century, Claudia Rankine's Don't Let Me Be Lonely invents a new genre to confront ... Don't Let Me Be Lonely: An American Lyric Don't Let Me Be Lonely is an important new confrontation with our culture, with a voice at its heart bewildered by its inadequacy in the face of race riots ...