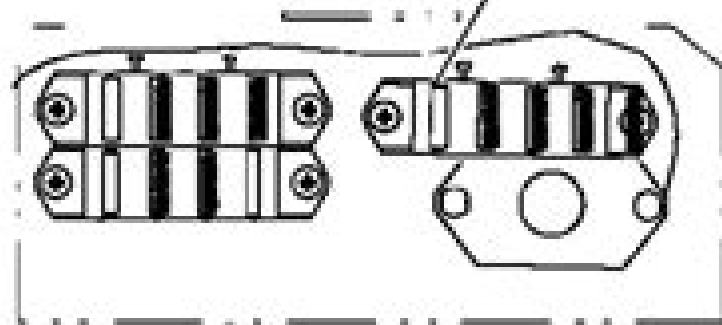
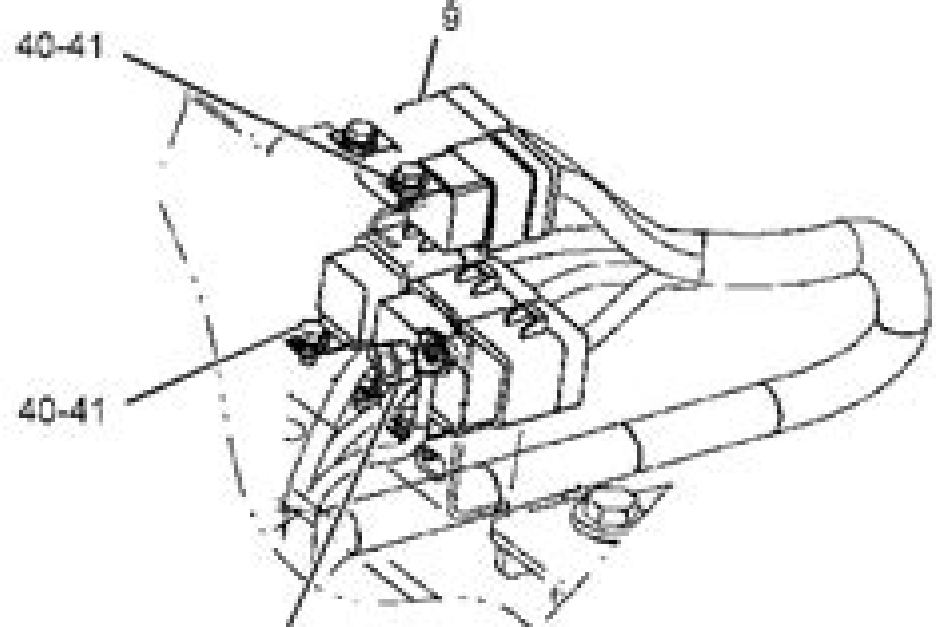


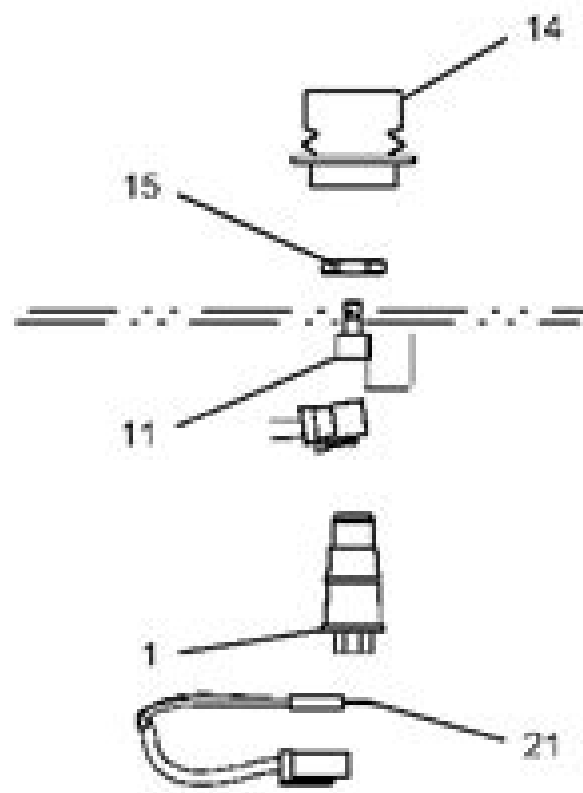
REFER TO ALL ILLUSTRATIONS OF THIS GROUP FOR AUXILIARY VIEWS



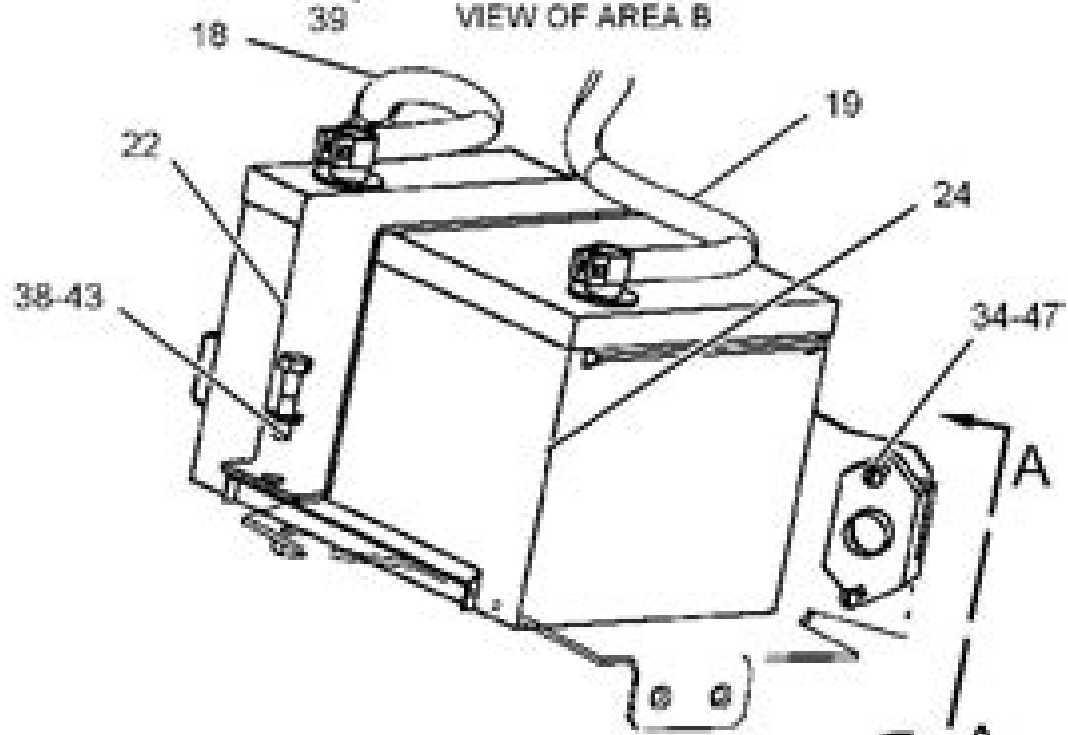
FRONT VIEW OF FUSE PANEL



VIEW OF AREA B



TWO SPEED SWITCH ASSEMBLY



VIEW OF BATTERY

Mini Excavator Wiring From Battery To Starter

Terry C. Jones



Mini Excavator Wiring From Battery To Starter:

Whispering the Secrets of Language: An Psychological Quest through **Mini Excavator Wiring From Battery To Starter**

In a digitally-driven earth wherever monitors reign supreme and immediate transmission drowns out the subtleties of language, the profound techniques and mental nuances concealed within words often move unheard. Yet, set within the pages of **Mini Excavator Wiring From Battery To Starter** a charming literary treasure sporting with organic emotions, lies an exceptional journey waiting to be undertaken. Published by a talented wordsmith, this marvelous opus attracts readers on an introspective trip, delicately unraveling the veiled truths and profound affect resonating within ab muscles fabric of every word. Within the emotional depths of this poignant evaluation, we can embark upon a heartfelt exploration of the book is core subjects, dissect its fascinating publishing fashion, and yield to the powerful resonance it evokes deep within the recesses of readers hearts.

https://staging.conocer.cide.edu/book/detail/fetch.php/federal_criminal_code_and_rules_2002.pdf

Table of Contents Mini Excavator Wiring From Battery To Starter

1. Understanding the eBook Mini Excavator Wiring From Battery To Starter
 - The Rise of Digital Reading Mini Excavator Wiring From Battery To Starter
 - Advantages of eBooks Over Traditional Books
2. Identifying Mini Excavator Wiring From Battery To Starter
 - Exploring Different Genres
 - Considering Fiction vs. Non-Fiction
 - Determining Your Reading Goals
3. Choosing the Right eBook Platform
 - Popular eBook Platforms
 - Features to Look for in an Mini Excavator Wiring From Battery To Starter
 - User-Friendly Interface
4. Exploring eBook Recommendations from Mini Excavator Wiring From Battery To Starter
 - Personalized Recommendations

- Mini Excavator Wiring From Battery To Starter User Reviews and Ratings
- Mini Excavator Wiring From Battery To Starter and Bestseller Lists
- 5. Accessing Mini Excavator Wiring From Battery To Starter Free and Paid eBooks
 - Mini Excavator Wiring From Battery To Starter Public Domain eBooks
 - Mini Excavator Wiring From Battery To Starter eBook Subscription Services
 - Mini Excavator Wiring From Battery To Starter Budget-Friendly Options
- 6. Navigating Mini Excavator Wiring From Battery To Starter eBook Formats
 - ePub, PDF, MOBI, and More
 - Mini Excavator Wiring From Battery To Starter Compatibility with Devices
 - Mini Excavator Wiring From Battery To Starter Enhanced eBook Features
- 7. Enhancing Your Reading Experience
 - Adjustable Fonts and Text Sizes of Mini Excavator Wiring From Battery To Starter
 - Highlighting and Note-Taking Mini Excavator Wiring From Battery To Starter
 - Interactive Elements Mini Excavator Wiring From Battery To Starter
- 8. Staying Engaged with Mini Excavator Wiring From Battery To Starter
 - Joining Online Reading Communities
 - Participating in Virtual Book Clubs
 - Following Authors and Publishers Mini Excavator Wiring From Battery To Starter
- 9. Balancing eBooks and Physical Books Mini Excavator Wiring From Battery To Starter
 - Benefits of a Digital Library
 - Creating a Diverse Reading Collection Mini Excavator Wiring From Battery To Starter
- 10. Overcoming Reading Challenges
 - Dealing with Digital Eye Strain
 - Minimizing Distractions
 - Managing Screen Time
- 11. Cultivating a Reading Routine Mini Excavator Wiring From Battery To Starter
 - Setting Reading Goals Mini Excavator Wiring From Battery To Starter
 - Carving Out Dedicated Reading Time
- 12. Sourcing Reliable Information of Mini Excavator Wiring From Battery To Starter
 - Fact-Checking eBook Content of Mini Excavator Wiring From Battery To Starter

- Distinguishing Credible Sources
- 13. Promoting Lifelong Learning
 - Utilizing eBooks for Skill Development
 - Exploring Educational eBooks
- 14. Embracing eBook Trends
 - Integration of Multimedia Elements
 - Interactive and Gamified eBooks

Mini Excavator Wiring From Battery To Starter Introduction

In this digital age, the convenience of accessing information at our fingertips has become a necessity. Whether its research papers, eBooks, or user manuals, PDF files have become the preferred format for sharing and reading documents. However, the cost associated with purchasing PDF files can sometimes be a barrier for many individuals and organizations. Thankfully, there are numerous websites and platforms that allow users to download free PDF files legally. In this article, we will explore some of the best platforms to download free PDFs. One of the most popular platforms to download free PDF files is Project Gutenberg. This online library offers over 60,000 free eBooks that are in the public domain. From classic literature to historical documents, Project Gutenberg provides a wide range of PDF files that can be downloaded and enjoyed on various devices. The website is user-friendly and allows users to search for specific titles or browse through different categories. Another reliable platform for downloading Mini Excavator Wiring From Battery To Starter free PDF files is Open Library. With its vast collection of over 1 million eBooks, Open Library has something for every reader. The website offers a seamless experience by providing options to borrow or download PDF files. Users simply need to create a free account to access this treasure trove of knowledge. Open Library also allows users to contribute by uploading and sharing their own PDF files, making it a collaborative platform for book enthusiasts. For those interested in academic resources, there are websites dedicated to providing free PDFs of research papers and scientific articles. One such website is Academia.edu, which allows researchers and scholars to share their work with a global audience. Users can download PDF files of research papers, theses, and dissertations covering a wide range of subjects. Academia.edu also provides a platform for discussions and networking within the academic community. When it comes to downloading Mini Excavator Wiring From Battery To Starter free PDF files of magazines, brochures, and catalogs, Issuu is a popular choice. This digital publishing platform hosts a vast collection of publications from around the world. Users can search for specific titles or explore various categories and genres. Issuu offers a seamless reading experience with its user-friendly interface and allows users to download PDF files for offline reading. Apart from dedicated platforms, search engines also play a crucial role in finding free PDF files. Google, for

instance, has an advanced search feature that allows users to filter results by file type. By specifying the file type as "PDF," users can find websites that offer free PDF downloads on a specific topic. While downloading Mini Excavator Wiring From Battery To Starter free PDF files is convenient, its important to note that copyright laws must be respected. Always ensure that the PDF files you download are legally available for free. Many authors and publishers voluntarily provide free PDF versions of their work, but its essential to be cautious and verify the authenticity of the source before downloading Mini Excavator Wiring From Battery To Starter. In conclusion, the internet offers numerous platforms and websites that allow users to download free PDF files legally. Whether its classic literature, research papers, or magazines, there is something for everyone. The platforms mentioned in this article, such as Project Gutenberg, Open Library, Academia.edu, and Issuu, provide access to a vast collection of PDF files. However, users should always be cautious and verify the legality of the source before downloading Mini Excavator Wiring From Battery To Starter any PDF files. With these platforms, the world of PDF downloads is just a click away.

FAQs About Mini Excavator Wiring From Battery To Starter Books

How do I know which eBook platform is the best for me? Finding the best eBook platform depends on your reading preferences and device compatibility. Research different platforms, read user reviews, and explore their features before making a choice. Are free eBooks of good quality? Yes, many reputable platforms offer high-quality free eBooks, including classics and public domain works. However, make sure to verify the source to ensure the eBook credibility. Can I read eBooks without an eReader? Absolutely! Most eBook platforms offer web-based readers or mobile apps that allow you to read eBooks on your computer, tablet, or smartphone. How do I avoid digital eye strain while reading eBooks? To prevent digital eye strain, take regular breaks, adjust the font size and background color, and ensure proper lighting while reading eBooks. What the advantage of interactive eBooks? Interactive eBooks incorporate multimedia elements, quizzes, and activities, enhancing the reader engagement and providing a more immersive learning experience. Mini Excavator Wiring From Battery To Starter is one of the best book in our library for free trial. We provide copy of Mini Excavator Wiring From Battery To Starter in digital format, so the resources that you find are reliable. There are also many Ebooks of related with Mini Excavator Wiring From Battery To Starter. Where to download Mini Excavator Wiring From Battery To Starter online for free? Are you looking for Mini Excavator Wiring From Battery To Starter PDF? This is definitely going to save you time and cash in something you should think about.

Find Mini Excavator Wiring From Battery To Starter :

federal criminal code and rules 2002

fears of your life

fbi plot

favorite german art songs high voice/book & cassette by

federal forfeiture practice manual version 20

feast for crows four a song of ice and fire

favorite bible passages

favorite animals in origami

faulkners mgm screenplays. edit. with an introd. and commentaries by bruce f. kawin.

fat lightning arc

fearless in the kitchen

feast of the goat the

february man evolving consciousness and identity in hypnotherapy

fate transport

favorite folk songs

Mini Excavator Wiring From Battery To Starter :

casos clinicos evaluacion diagnostico e intervenc - Jun 23 2022

web 4 casos clinicos evaluacion diagnostico e intervenc 2022 04 11 serie de casos clínicos reales los autores presentan una guía que trata el complicado tema del abordaje del paciente cardiorácico esta obra está dirigida a profesionales motivados tanto veterinarios generalistas como internos y residentes así como especialistas en

casos clinicos evaluacion diagnostico e intervenc download - May 03 2023

web casos clinicos evaluacion diagnostico e intervenc dsm 5 guía para el diagnóstico clínico casos clínicos en neuropsicología casos clinicos semiologia y publicacion evaluación y manejo pediátrico proceso y diagnósticos de enfermería apuntes para una psicopatología basada en la relación

casos clinicos evaluacion diagnostico e intervenc 2023 - Feb 17 2022

web casos clinicos evaluacion diagnostico e intervenc 3 3 gran importancia para los profesionales de la intervención en el habla y lenguaje además se presenta para cada uno de los trastornos objeto de estudio una aproximación práctica a la

intervención clínica de este modo el lector podrá acceder con

casos clínicos evaluación diagnóstico e intervención en salud - Jul 05 2023

web sinopsis este libro reúne y expone un total de veinte casos clínicos de la práctica profesional de los autores algunos se centran en el proceso de evaluación y diagnóstico mientras que otros lo hacen en la indicación y el desarrollo del tratamiento

casos clínicos evaluación diagnóstico e intervención en salud - Oct 08 2023

web libro de casos clinicos universidad universidad nacional de asunción materia psicopatologia dsm 31 documentos los estudiantes compartieron 31 documentos en este curso año académico 2017 2018 subido por estudiante anónimo det här dokumentet har laddats upp av en student precis som du som har valt att förbli anonym

download solutions casos clinicos evaluacion diagnostico e intervenc - May 23 2022

web este libro reúne y expone un total de veinte casos clínicos de la práctica profesional de los autores algunos se centran en el proceso de evaluación y diagnóstico mientras que otros lo hacen en la indicación y el desarrollo del tratamiento en todos los casos que aborda este libro se pone el acento en el estilo individual de cada

casos clinicos evaluacion diagnostico e intervenc copy - Jul 25 2022

web casos clínicos evaluación diagnóstico e intervención en salud mental análisis comparativo de la entrevista diagnóstica estructurada chips y la entrevista funcional en la evaluación infantil y adolescente

casos clinicos evaluacion diagnostico e intervenc pdf - Nov 28 2022

web ansiedad un caso de orientación vocacional otro de selección de personal y finalmente la evaluación de un caso clínico que requiere tratamiento finalmente se incluye en un cd un apéndice con los test más comunes y otras técnicas y procedimientos de evaluación organizados en ámbitos

modelos de diagnóstico e intervención clínico n pdf scribd - Dec 30 2022

web modelos de diagnóstico e intervención clínico comunitario y socio comunitarios la psicología comunitaria surge como una forma de psicología aplicada al escenario de la comunidad y la sociedad rappaport 1977 la define como la búsqueda de alternativas de intervención anexas a las normas sociales establecidas una posición que contrasta lo

modelo de diagnóstico e intervención ichange - Aug 26 2022

web dec 20 2019 el proceso de consultoría del modelo de diagnóstico e intervención cuenta con 6 pasos 1 contacto con el cliente 2 pre diagnóstico síntomas 3 identificación del área a mejorar 4 alternativas de acción 5 ejecución intervención 6

casos clinicos evaluacion diagnostico e intervenc pdf - Mar 01 2023

web evaluaciones e intervenciones neuropsicológicas de casos sobre trastorno de déficit de atención e hiperactividad autismo enfermedades raras da o cerebral adquirido esquizofrenia

casos clinicos evaluacion diagnostico e intervenc 2022 - Jan 31 2023

web casos clinicos evaluacion diagnostico e intervenc aspectos teóricos y prácticos de la intervención logopédica evaluación psicológica neuropsicología infantil a través de casos clínicos casos clínicos casos clínicos semiología y publicacion análisis comparativo de la entrevista diagnóstica estructurada chips y la entrevista

[casos clínicos evaluación diagnóstico e intervención en salud](#) - Aug 06 2023

web sep 12 2017 casos clínicos evaluación diagnóstico e intervención en salud mental José A. Castillo Víctor Cabré Cristina Nofuentes Herder Editorial sep 12 2017 psychology 208 pages este libro

casos clinicos evaluacion diagnostico e intervenc pdf - Jun 04 2023

web casos clínicos evaluación diagnóstico e intervención en salud mental diagnóstico e intervención didáctica del lenguaje escolar neuropsicología infantil a través de casos clínicos

[modelos de diagnóstico e intervención by duvan munevar prezi](#) - Oct 28 2022

web jul 28 2018 modelos clinico comunitarios ejemplificación con casos de la vida cotidiana se ve potenciado cuando la sociedad en la que vive el individuo le permite desplegar toda su actividad por medio de las conceptualizaciones con respecto a bienestar y calidad de vida por medio del analisis de ciertas condiciones sociales y psicologicas

[casos clinicos evaluacion diagnostico e intervenc vps huratips](#) - Sep 26 2022

web 4 casos clinicos evaluacion diagnostico e intervenc 2023 06 19 presentan una nueva clasificación de psicopatología de la pareja y explican de forma práctica cómo diagnosticar y tratar este tipo de problemas casos clínicos en neuropsicología a sociedad argentina de hematología manual para el desarrollo de habilidades clínicas casos

[casos clinicos evaluacion diagnostico e intervenc db csda](#) - Sep 07 2023

web casos clinicos evaluacion diagnostico e intervenc nutrición de la práctica a la teoría 48 casos clínicos protocolo multimedia para fobias específicas casos clínicos evaluación diagnóstico e intervención en salud mental agua electrolitos y equilibrio ácido base buenas prácticas en la docencia universitaria con apoyo de las TIC

casos clinicos evaluacion diagnostico e intervenc pdf - Mar 21 2022

web oct 8 2023 casos clinicos evaluacion diagnostico e intervenc 1 12 downloaded from uniport.edu.ng on October 8 2023 by guest casos clinicos evaluacion diagnostico e intervenc as recognized adventure as skillfully as experience roughly lesson amusement as skillfully as conformity can be gotten by just checking out a books casos clinicos

casos clinicos evaluacion diagnostico e intervenc pdf - Apr 21 2022

web casos clínicos evaluación diagnóstico e intervención en salud mental evaluación y manejo pediátrico neuropsicología infantil a través de casos clínicos

[casos clinicos evaluacion diagnostico e intervenc](#) - Apr 02 2023

web casos clínicos evaluación diagnóstico e intervención en salud mental compilación de casos clínicos con desórdenes

auditivo vestibulares evaluación de los trastornos del espectro psicótico

[mühendishane kütüphanesi konulara kolay bir giriş yapmanızı](#) - Oct 06 2022

web mühendishane kütüphanesi konulara kolay bir giriş yapmanızı sağlamayı hedefliyor mühendishane deki içerikleri ister aşağıdaki konu başlıkları üzerinden ister arama kutusundan bir arama yaparak inceleyebilirsiniz arama sonuçlarıyla istediğiniz bilgilere ulaşamazsanız yine de ilgili başlıkları incelemenizi tavsiye

[mühendishane eğitimleri herkese açık ve ücretsiz olarak sunuluyor](#) - Feb 10 2023

web dökümhane akademi dökümhane akademi de 50 nin üzerinde eğitim videosu ücretsiz ve herkese açık olarak sunuluyor 2015 senesinde hayata geçirdiğim bu proje 2019 senesinden bu yana türkiye döküm sanayiceleri derneği tÜdÖksad bünyesinde faaliyet gösteriyor

mcgraw hill - May 13 2023

web 2023 mcgraw hill all rights reserved privacy center opens in new window terms of use opens in new window minimum requirements opens in new window platform

mcgraw hill prek 12 home - Jul 15 2023

web achieve3000 now part of mcgraw hill for more than five million students in grades prek 12 achieve3000 has improved high stakes test performance while driving college and career readiness in literacy math science social studies and *na us ny mcgraw hill education webinars 2013 2014* - Feb 27 2022

web mcgraw hill education mhe is a digital learning company and one of the big three educational publishers that provides customized educational content software and services for pre k through postgraduate education mcgraw hill education currently operates in 44 countries has 6 000 employees globally and offers products and services in 60 languages

math curriculum programs for grades prek 12 mcgraw hill - Nov 07 2022

web connect prek 12 math programs math curriculum should do more than help you teach in the classroom it should also prepare your students for the real world together let s show your students that their futures are even brighter when they succeed in math choose your path overview k 5 programs 6 12 programs sample our programs catalogs

[mcgraw hill 6 12 science home](#) - Jun 14 2023

web meeting new science standards transition to the new science standards with a curriculum that promotes inquiry and real world problem solving with phenomena and hands on activities glencoe science is your complete solution for meeting the standards and supporting student led learning learn more

yan he professor full professor southern medical - Dec 28 2021

web yan he professor full cited by 5 359 of southern medical university guangzhou fimmu read 95 publications contact yan he **science technology en yumpu** - Aug 04 2022

web the 5e instructional model engage explore mheonline com

[inspire science mcgraw hill](#) - Aug 16 2023

web inspire science grades k 5 ayuda para los padres en español 6 8 inspire science grades 6 8 parent support 9 12 inspire science grades 9 12 parent support teacher support teacher support in the classroom k 12 digital support videos assessment reports

[fen bilimleri dersi kaynak sitesi fen projeleri fen testleri](#) - Jan 29 2022

web kimler Çevrimiçi ayrıntılı liste son 15 dakika İçinde toplam 17 kullanıcı aktif oldu Şu an forumumuzda 0 kayıtlı 0 gizli ve 17 ziyaretçi bulunmaktadır forum İstatistikleri toplam konular 1 003 toplam yorumlar 1 027 toplam kayıtlı kullanıcılar 2 307 son kayıt olan kullanıcı they699 aramıza hoşgeldiniz forumları okundu kabul et forum yöneticileri

sciencedirect com science health and medical journals full text - Sep 05 2022

web sciencedirect is the world s leading source for scientific technical and medical research explore journals books and articles sciencedirect com science health and medical journals full text articles and books

journal of education in science environment and health - Dec 08 2022

web jan 4 2021 science technology engineering and mathematics stem education mheonline com mhmymath pdf stem education pdf gillies a 2015

journal of education in science environment and health - May 01 2022

web jan 4 2021 Öz several conceptual and theoretical studies on the importance of science technology engineering mathematics stem careers and the 21st century skills required for these careers have been carried out because they have been accepted as important for the improvement of society and maintenance of economic growth

wonders 2020 mcgraw hill - Mar 11 2023

web wonders is designed to foster a love of reading in all children through exploration of texts and daily development of their skills as readers writers speakers and active listeners students experience the power of literacy our focus on teaching the whole child and every child prepares students to be lifelong learners and critical thinkers

[the effect of stem education on 21th century skills preservice science](#) - Jan 09 2023

web the effect of stem education on 21th century skills preservice science teachers evaluations year 2021 volume 4 issue 2 140 167 30 07 2021

science aaas - Mar 31 2022

web sep 12 2023 the strength of science and its online journal sites rests with the strengths of its community of authors who provide cutting edge research incisive scientific commentary and insights on what s important to the scientific world to learn more about how to get published in any of our journals visit our guide for contributors

[mcgraw hill education login](#) - Apr 12 2023

web 2023 mcgraw hill education all rights reserved privacy and cookies terms of use minimum requirements platform status

[science nasil okunur nasil okunur](#) - Jul 03 2022

web nov 3 2020 science kelimesini türkçe olarak aşağıdaki gibi okuyabilirsiniz okunuşu sayıns anlamı science anlamı bilim
stem skills lessons for the classroom microsoft education - Jun 02 2022

web build stem skills in your classroom encourage curiosity and confidence connect in class experiences to real world
concepts and prepare today s students for a promising future with microsoft education products free training resources
programs and partnerships will help launch your classroom s journey into stem

moi moustache chien soldat heros des guerres napo copy - May 02 2022

web moi moustache chien soldat heros des guerres napo 2 8 downloaded from uniport edu ng on july 4 2023 by guest déclaré
la guerre les enjeux réels les acteurs restent inconnus du public une désinformation massive s employant à occulter l
agression internationale dont est victime la syrie l issue annoncée de la guerre rendra peut

moi moustache chien soldat heros des guerres napo pdf - Aug 05 2022

web apr 12 2023 moi moustache chien soldat héros des guerres napoléoniennes jean pierre rey 2019 04 29 suivez le
parcours périlleux du vaillant moustache un chien soldat qui a suivi et soutenu durant 13 ans les grognards des guerres
napoléoniennes

moi moustache chien soldat napoleonicwars - Sep 18 2023

web moi moustache chien soldat héros des guerres napoléoniennes transcription au bivouac de jean pierre rey by jean pierre
rey and jean tulard publisher glyphe may 3 2019 isbn 13 9782352851110 129 pages description suivez le parcours périlleux
du vaillant moustache un chien solda

moi moustache chien soldat héros des guerres napoléoniennes - Jun 15 2023

web may 3 2019 résumé de 1798 à 1811 moustache un solide barbet venu du bocage normand a accompagné les grognards
des guerres napoléoniennes il les a suivis dans leurs déplacements épuisants et les a soutenus dans les batailles les plus
glorieuses

moi moustache chien soldat héros des guerres napoléoniennes - Jul 16 2023

web may 3 2019 de 1798 1811 moustache un solide barbet venu du bocage normand a accompagné les grognards des
guerres napoloniennes il les a suivis dans leurs dplacements puisants et les a soutenus dans les batailles les plus glorieuses

moi moustache chien soldat heros des guerres napo copy - Dec 09 2022

web moi moustache chien soldat heros des guerres napo anecdotes du dix neuvième siècle ou collection inédite d historiettes
et d anecdotes récentes de traits et de mots peu connus d aventures singulaires pour servir à l histoire des mœurs et de l

esprit du siècle où nous vivons comparé aux siècles passés mar 17 2020

moi moustache chien soldat heros des guerres - Feb 28 2022

web february 13th 2020 moi moustache chien soldat héros des guerres napoléoniennes jean pierre rey de 1798 à 1811

moustache un solide barbet venu du bocage normand a

moi moustache chien soldat heros des guerres napo copy - Apr 01 2022

web jul 13 2023 moi moustache chien soldat héros des guerres napoléoniennes jean pierre rey 2019 04 29 suivez le parcours périlleux du vaillant moustache un chien soldat qui a suivi et soutenu durant 13 ans les grognards des guerres napoléoniennes

moi moustache chien soldat heros des guerres - Jan 10 2023

web peuple des obscurs et des sans grade les soldats les chevaux et les chiens ses frères d armes et de misère qui

parcouraient l europe au son du clairon et sous le feu de la mitraille moustache est fauché par un boulet

moi moustache chien soldat heros des guerres napo pdf - Nov 08 2022

web moi moustache chien soldat héros des guerres napoléoniennes et de la route de la foi Éditions glyphe jean pierre rey d une plume caustique raconte l organisation si l on peut dire des jeux

moi moustache chien soldat héros des guerres napoléoniennes - Feb 11 2023

web apr 29 2019 suivez le parcours périlleux du vaillant moustache un chien soldat qui a suivi et soutenu durant 13 ans les grognards des guerres napoléoniennes de 1798 à 1811 moustache un solide barbet venu du bocage normand a accompagné les grognards des guerres napoléoniennes

moi moustache chien soldat héros des guerres napoléoniennes - Apr 13 2023

web découvrez ou redécouvrez l histoire fascinante des guerres napoléoniennes avec un récit qui adopte un point de vue inédit celui d un chien soldat qui a marqué les mémoires extrait la progression jusque là périlleuse se d