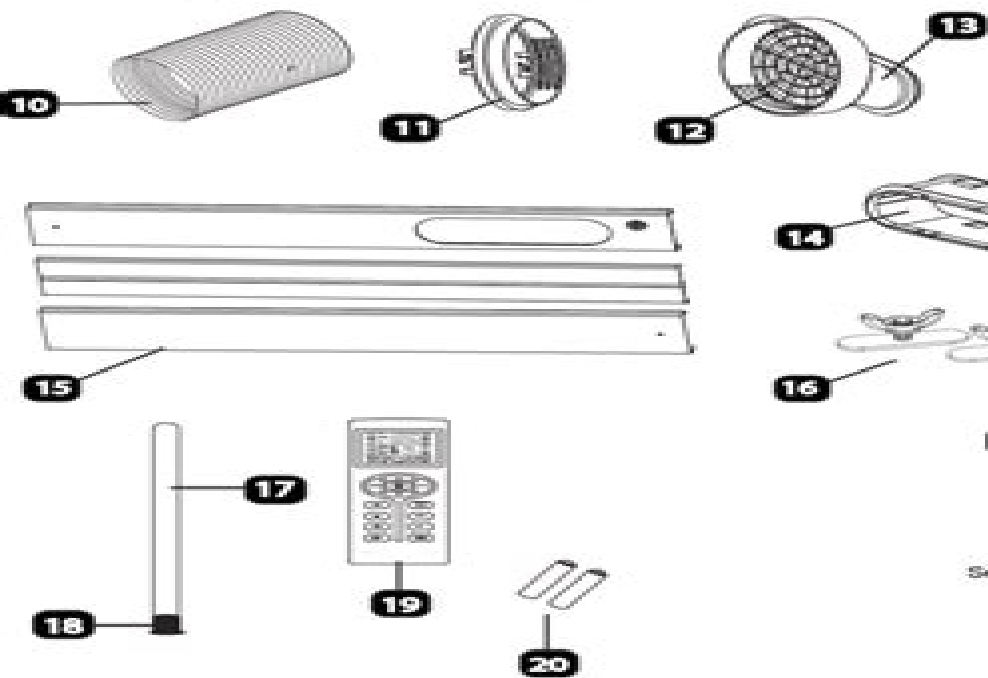
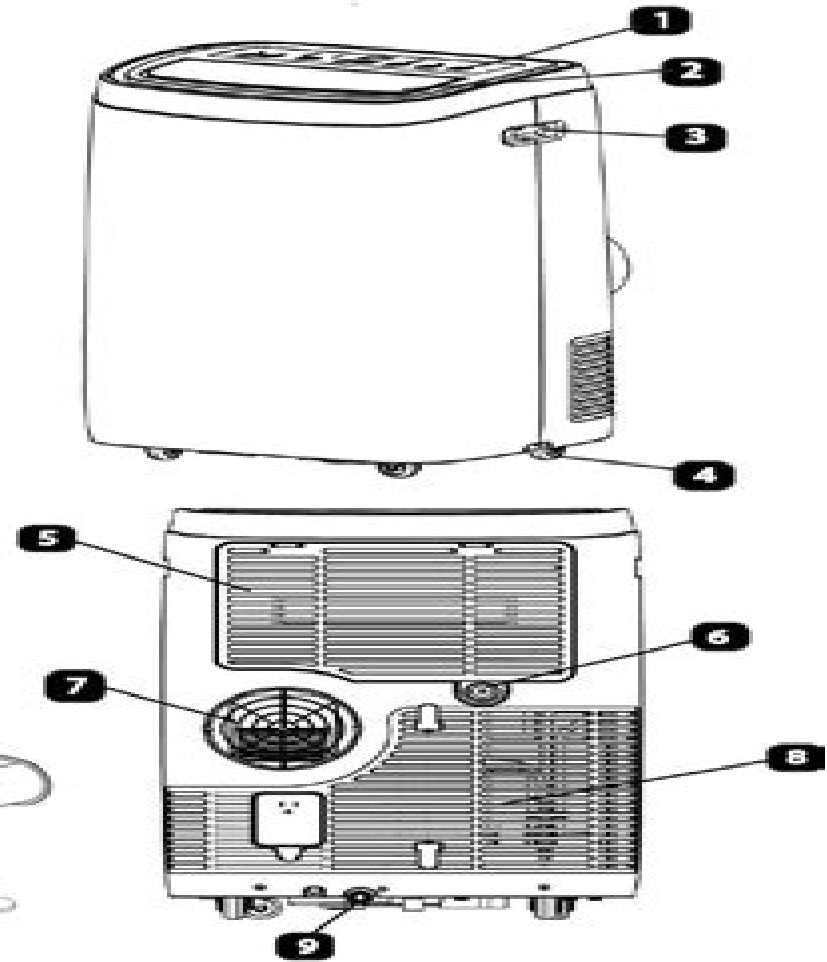


# PRODUCT DIAGRAM

1. Control Panel
2. Manual Control Louver & Air Outlet
3. Carry Handle
4. Caster
5. Air Filter
6. Continuous Drain Port
7. Hot Air Discharge Opening
8. Air Intake Grille
9. Condensation Drain Hole
10. Exhaust Hose
11. Exhaust Hose Connector
12. Window Kit Adapter Grille
13. Window Kit Adapter
14. Optional Window Kit Adapter Extension
15. Window Kit Panel
16. Wing Nuts
17. Optional Drain Tube
18. Drain Tube Stopper
19. Remote Control
20. Battery
21. Optional Window Security Pack



# Maxi Air Conditioning Manual

**Guillaume Favre**



## Maxi Air Conditioning Manual:

**Building Materials and Structures Report** ,1938 Building Materials and Structures Report United States.

National Bureau of Standards,1959 **Bureau of Ships Manual: Ventilation, heating, and air conditioning (1956)**  
United States. Navy Department. Bureau of Ships,1947 *Manual ...* United States. Navy Department. Bureau of Ships,1943

Civil Aeronautics Manual ,1954 Operator's, Organizational, Direct Support & General Support Maintenance Manual for Air Conditioner, Horizontal, Compact, 36000 BTUH, 208 Volt, 3 Phase 400 Hertz, NSN 4120-00-063-8182, American Air Filter Co. Model CH436-1 and 208 Volt, 3 Phase, 50/60 Hertz, NSN 4120-00-063-7575, American Air Filter Co. Model CH636-1 ,1986 Aviation Life Support Systems Manual United States. Coast Guard,1981 *Bureau of Ships Manual*

United States. Navy Department. Bureau of Ships,1955 *Selected Bibliography on Building Construction and Maintenance*  
Edith R. Meggers,1959 *Technical Manual* United States Department of the Army,1965 **F-4 Phantom Pilot's Flight**

**Operating Manual** Periscope Film Com,2006-08-15 One of the great aircraft of the Cold War era the McDonnell Douglas F 4 Phantom II was the most heavily produced supersonic all weather fighter bomber Capable of a top speed of Mach 2 23 it set sixteen world records including an absolute speed record of 1 606 mph and an altitude record of 98 557 feet The F 4 flew Vietnam in the Arab Israeli conflict and the Gulf War and amassed a record of 393 aerial victories F 4s also flew as part of the USAF Thunderbirds and the U S Navy Blue Angels flight demonstration teams Originally printed by McDonnell and the U S Navy in the 1960s this flight operating handbook taught pilots everything they needed to know before entering the cockpit Classified restricted the manual was recently declassified and is here reprinted in book form This affordable facsimile has been reformatted Care has been taken however to preserve the integrity of the text **Manuals Combined: U.S. Army**

**TECHNICAL MANUAL OPERATOR'S MANUAL FOR UH-60A HELICOPTER UH-60Q HELICOPTER UH-60L HELICOPTER EH-60A HELICOPTER** , BOTH MANUALS Approved for public release distribution unlimited DESCRIPTION

This manual contains the complete operating instructions and procedures for UH 60A UH 60Q UH 60L and EH 60A helicopters The primary mission of this helicopter is that of tactical transport of troops medical evacuation cargo and reconnaissance within the capabilities of the helicopter The observance of limitations performance and weight and balance data provided is mandatory The observance of procedures is mandatory except when modification is required because of multiple emergencies adverse weather terrain etc Your flying experience is recognized and therefore basic flight principles are not included IT IS REQUIRED THAT THIS MANUAL BE CARRIED IN THE HELICOPTER AT ALL TIMES *Technical*

*Manual* United States. War Department,1940 Operator's, Organizational, Direct Support, General Support, and Depot Maintenance Manual (including Repair Parts Information and Supplemental Maintenance Instructions) for Crane, Truck Mounted, Hydraulic, 25 Ton (CCE), Harnischfeger Model MT-250, Non-winterized, NSN 3810-00-018-2021, Harnischfeger Model MT-250, Winterized NSN 3810-00-018-2007 ,1986 **Douglas F4D Skyray Pilot's Flight Operating Instructions**

United States Navy,USN,2008-09-01 En instruktionsbog Flight Manual for F4D Skyray    **Operator, Organizational,**  
**Direct and General Support and Depot Maintenance Manual** ,1975    **Combat Crew** ,1982    Official Gazette of the  
United States Patent and Trademark Office ,1990    *Motor Cycling and Motoring* ,1909    *IMP. Illinois Master Plumber*  
,1960

Thank you very much for reading **Maxi Air Conditioning Manual**. As you may know, people have look numerous times for their chosen books like this Maxi Air Conditioning Manual, but end up in harmful downloads. Rather than reading a good book with a cup of coffee in the afternoon, instead they are facing with some harmful virus inside their computer.

Maxi Air Conditioning Manual is available in our digital library an online access to it is set as public so you can download it instantly.

Our book servers hosts in multiple countries, allowing you to get the most less latency time to download any of our books like this one.

Kindly say, the Maxi Air Conditioning Manual is universally compatible with any devices to read

[https://staging.conocer.cide.edu/results/book-search/Documents/Gilgamesh\\_A\\_New\\_English\\_Version.pdf](https://staging.conocer.cide.edu/results/book-search/Documents/Gilgamesh_A_New_English_Version.pdf)

## **Table of Contents Maxi Air Conditioning Manual**

1. Understanding the eBook Maxi Air Conditioning Manual
  - The Rise of Digital Reading Maxi Air Conditioning Manual
  - Advantages of eBooks Over Traditional Books
2. Identifying Maxi Air Conditioning Manual
  - Exploring Different Genres
  - Considering Fiction vs. Non-Fiction
  - Determining Your Reading Goals
3. Choosing the Right eBook Platform
  - Popular eBook Platforms
  - Features to Look for in an Maxi Air Conditioning Manual
  - User-Friendly Interface
4. Exploring eBook Recommendations from Maxi Air Conditioning Manual
  - Personalized Recommendations

- Maxi Air Conditioning Manual User Reviews and Ratings
- Maxi Air Conditioning Manual and Bestseller Lists
- 5. Accessing Maxi Air Conditioning Manual Free and Paid eBooks
  - Maxi Air Conditioning Manual Public Domain eBooks
  - Maxi Air Conditioning Manual eBook Subscription Services
  - Maxi Air Conditioning Manual Budget-Friendly Options
- 6. Navigating Maxi Air Conditioning Manual eBook Formats
  - ePub, PDF, MOBI, and More
  - Maxi Air Conditioning Manual Compatibility with Devices
  - Maxi Air Conditioning Manual Enhanced eBook Features
- 7. Enhancing Your Reading Experience
  - Adjustable Fonts and Text Sizes of Maxi Air Conditioning Manual
  - Highlighting and Note-Taking Maxi Air Conditioning Manual
  - Interactive Elements Maxi Air Conditioning Manual
- 8. Staying Engaged with Maxi Air Conditioning Manual
  - Joining Online Reading Communities
  - Participating in Virtual Book Clubs
  - Following Authors and Publishers Maxi Air Conditioning Manual
- 9. Balancing eBooks and Physical Books Maxi Air Conditioning Manual
  - Benefits of a Digital Library
  - Creating a Diverse Reading Collection Maxi Air Conditioning Manual
- 10. Overcoming Reading Challenges
  - Dealing with Digital Eye Strain
  - Minimizing Distractions
  - Managing Screen Time
- 11. Cultivating a Reading Routine Maxi Air Conditioning Manual
  - Setting Reading Goals Maxi Air Conditioning Manual
  - Carving Out Dedicated Reading Time
- 12. Sourcing Reliable Information of Maxi Air Conditioning Manual
  - Fact-Checking eBook Content of Maxi Air Conditioning Manual

- Distinguishing Credible Sources
- 13. Promoting Lifelong Learning
  - Utilizing eBooks for Skill Development
  - Exploring Educational eBooks
- 14. Embracing eBook Trends
  - Integration of Multimedia Elements
  - Interactive and Gamified eBooks

### **Maxi Air Conditioning Manual Introduction**

In the digital age, access to information has become easier than ever before. The ability to download Maxi Air Conditioning Manual has revolutionized the way we consume written content. Whether you are a student looking for course material, an avid reader searching for your next favorite book, or a professional seeking research papers, the option to download Maxi Air Conditioning Manual has opened up a world of possibilities. Downloading Maxi Air Conditioning Manual provides numerous advantages over physical copies of books and documents. Firstly, it is incredibly convenient. Gone are the days of carrying around heavy textbooks or bulky folders filled with papers. With the click of a button, you can gain immediate access to valuable resources on any device. This convenience allows for efficient studying, researching, and reading on the go. Moreover, the cost-effective nature of downloading Maxi Air Conditioning Manual has democratized knowledge. Traditional books and academic journals can be expensive, making it difficult for individuals with limited financial resources to access information. By offering free PDF downloads, publishers and authors are enabling a wider audience to benefit from their work. This inclusivity promotes equal opportunities for learning and personal growth. There are numerous websites and platforms where individuals can download Maxi Air Conditioning Manual. These websites range from academic databases offering research papers and journals to online libraries with an expansive collection of books from various genres. Many authors and publishers also upload their work to specific websites, granting readers access to their content without any charge. These platforms not only provide access to existing literature but also serve as an excellent platform for undiscovered authors to share their work with the world. However, it is essential to be cautious while downloading Maxi Air Conditioning Manual. Some websites may offer pirated or illegally obtained copies of copyrighted material. Engaging in such activities not only violates copyright laws but also undermines the efforts of authors, publishers, and researchers. To ensure ethical downloading, it is advisable to utilize reputable websites that prioritize the legal distribution of content. When downloading Maxi Air Conditioning Manual, users should also consider the potential security risks associated with online platforms. Malicious actors may exploit vulnerabilities in unprotected websites to distribute malware or steal personal

information. To protect themselves, individuals should ensure their devices have reliable antivirus software installed and validate the legitimacy of the websites they are downloading from. In conclusion, the ability to download Maxi Air Conditioning Manual has transformed the way we access information. With the convenience, cost-effectiveness, and accessibility it offers, free PDF downloads have become a popular choice for students, researchers, and book lovers worldwide. However, it is crucial to engage in ethical downloading practices and prioritize personal security when utilizing online platforms. By doing so, individuals can make the most of the vast array of free PDF resources available and embark on a journey of continuous learning and intellectual growth.

### **FAQs About Maxi Air Conditioning Manual Books**

**What is a Maxi Air Conditioning Manual PDF?** A PDF (Portable Document Format) is a file format developed by Adobe that preserves the layout and formatting of a document, regardless of the software, hardware, or operating system used to view or print it. **How do I create a Maxi Air Conditioning Manual PDF?** There are several ways to create a PDF: Use software like Adobe Acrobat, Microsoft Word, or Google Docs, which often have built-in PDF creation tools. Print to PDF: Many applications and operating systems have a "Print to PDF" option that allows you to save a document as a PDF file instead of printing it on paper. Online converters: There are various online tools that can convert different file types to PDF. **How do I edit a Maxi Air Conditioning Manual PDF?** Editing a PDF can be done with software like Adobe Acrobat, which allows direct editing of text, images, and other elements within the PDF. Some free tools, like PDFescape or Smallpdf, also offer basic editing capabilities. **How do I convert a Maxi Air Conditioning Manual PDF to another file format?** There are multiple ways to convert a PDF to another format: Use online converters like Smallpdf, Zamzar, or Adobe Acrobat's export feature to convert PDFs to formats like Word, Excel, JPEG, etc. Software like Adobe Acrobat, Microsoft Word, or other PDF editors may have options to export or save PDFs in different formats. **How do I password-protect a Maxi Air Conditioning Manual PDF?** Most PDF editing software allows you to add password protection. In Adobe Acrobat, for instance, you can go to "File" -> "Properties" -> "Security" to set a password to restrict access or editing capabilities. Are there any free alternatives to Adobe Acrobat for working with PDFs? Yes, there are many free alternatives for working with PDFs, such as: LibreOffice: Offers PDF editing features. PDFsam: Allows splitting, merging, and editing PDFs. Foxit Reader: Provides basic PDF viewing and editing capabilities. How do I compress a PDF file? You can use online tools like Smallpdf, ILovePDF, or desktop software like Adobe Acrobat to compress PDF files without significant quality loss. Compression reduces the file size, making it easier to share and download. Can I fill out forms in a PDF file? Yes, most PDF viewers/editors like Adobe Acrobat, Preview (on Mac), or various online tools allow you to fill out forms in PDF files by selecting text fields



and entering information. Are there any restrictions when working with PDFs? Some PDFs might have restrictions set by their creator, such as password protection, editing restrictions, or print restrictions. Breaking these restrictions might require specific software or tools, which may or may not be legal depending on the circumstances and local laws.

### **Find Maxi Air Conditioning Manual :**

[gilgamesh a new english version](#)

**[gina ford book reviews](#)**

[getting started guide mastercam x3](#)

**[gestalt therapy a guide to contemporary practice](#)**

**[ghosteria 2 the novel zircons may be mistaken](#)**

**[gilbarco electroline service manual](#)**

**[get sanyo eclipse manual](#)**

[gigabyte ga 8ipe775 g manual](#)

[gilera runner 125 manual 2010](#)

[girl on a motorcycle oxford](#)

**[germain nous integrale t1](#)**

**[german chocolate cake pecan coconut frosting recipe](#)**

[gibson refrigerator repair manual](#)

[girl flu a gender transformation bundle english edition](#)

[gestetner fax user guide](#)

### **Maxi Air Conditioning Manual :**

**[manuale magia verde il grimorio di circe incantes origin](#)** - Jun 07 2022

web 4 manuale magia verde il grimorio di circe incantes 2020 03 28 sono punti cardine nel percorso di ogni wiccan ed è per questo che circe è una divinità da rivalutare e onorare soprattutto perché in grado di offrire il suo appoggio a tutte le maghe o streghe che dir si voglia half minute horrors createspace independent publishing platform

[manuale magia verde il grimorio di circe incantes pdf r p](#) - Apr 05 2022

web jun 19 2023 manuale magia verde il grimorio di circe incantes pdf right here we have countless ebook manuale magia verde il grimorio di circe incantes pdf and collections to check out we additionally find the money for variant types and

furthermore type of the books to browse the normal book fiction history novel scientific research

[manuale magia verde il grimorio di circe incantes copy](#) - Sep 10 2022

web manuale magia verde il grimorio di circe harpercollins uk a down to earth guide to traditional wicca while there are many powerful variations of contemporary witchcraft traditional wicca offers unique experiences for those who seek it out

**manuale di magia verde il grimorio di circe amazon it** - Jul 20 2023

web 14 72 4 30 di spedizione venduto da manuale di magia verde il grimorio di circe copertina flessibile 1 gennaio 2012 di chiara ygraayne autore 4 3 48 voti visualizza tutti i formati ed edizioni

**manuale magia verde il grimorio di circe incantes pdf gerald** - May 06 2022

web jun 27 2023 as this manuale magia verde il grimorio di circe incantes pdf it ends in the works visceral one of the favored book manuale magia verde il grimorio di circe incantes pdf collections that we have this is why you remain in the best website to see the unbelievable ebook to have the night of the panthers piergiogio pulixi 2015 08 27

**manuale magia verde il grimorio di circe incantes download** - Oct 11 2022

web wiccan utilizzando erbe cristalli e altro la strega verde una guida pratica alla scoperta dei segreti della magia delle piante delle erbe dei cristalli e altro ancora wicca moon magic una guida wiccan e un grimorio sugli incantesimi lunari *manuale magia verde il grimorio di circe incantes pdf* - May 18 2023

web manuale magia verde il grimorio di circe incantes i vivi jul 08 2021 i vivi un romanzo trilogia che pone al centro i bambini e l'infanzia sebbene sia scritto soprattutto per i grandi il libro una riscrittura del capolavoro trilogia di eschilo l'orestea attraverso lo sguardo comico dei piccoli che tutto trasforma

**pdf manuale magia verde il grimorio di circe incantes** - Nov 12 2022

web manuale magia verde il grimorio di circe incantes il gran grimorio mar 30 2022 noto fin dal cinquecento e considerato dal celebre occultista arthur edward waite uno dei più notevoli trattati che insegnano come praticare il commercio con i dèmoni contiene al suo interno la formula per

*free manuale magia verde il grimorio di circe incantes* - Jan 14 2023

web in questo libro vengono spiegati i principali riti di magia rossa ovvero quella parte della magia esoterica che ci permette di risolvere le questioni di amore il rosso richiama la passione ma anche il fuoco il bruciare la magia rossa è uno strumento per accendere passioni d'amore nuove o rialimentare il fuoco di passioni d'amore sopite

*download solutions manuale magia verde il grimorio di circe incantes* - Mar 04 2022

web manuale magia verde il grimorio di circe incantes fortificazioni in provincia della spezia sep 14 2022 diui alphonsi thostati episcopi abulensis in iuculentissimam libri josue expositionem a se editam prima pars 2 secunda pars abulensis super josue que decem prima capitula etc aug 13 2022

manuale magia verde il grimorio di circe incantes copy - Aug 09 2022

web manuale magia verde il grimorio di circe incantes but end up in infectious downloads rather than reading a good book with a cup of coffee in the afternoon instead they juggled with some malicious virus inside their computer manuale magia verde il grimorio di circe incantes is available in our book collection an online access to it is set

manuale magia verde il grimorio di circe incantes full pdf - Feb 15 2023

web manuale magia verde il grimorio di circe incantes arcadia 1 feb 14 2022 inizia qui il nuovo ciclo della saga urban fantasy che sta stregando il mondo l isola di manhattan non esiste più al suo posto invisibile agli occhi dei mortali si erge arcadia il regno di tutte le storie un luogo in cui tempo e spazio hanno nuovi significati

il grimorio di circe manuale di magia verde di ygraayne - Dec 13 2022

web jul 3 2020 manuale di magia verde di ygraayne trama opinioni e commenti dei lettori cerchio della luna 2012 un libro curioso e interessante che passa dalle ricette di pozioni stregonesche a quelle

**manuale magia verde il grimorio di circe incantes pdf** - Mar 16 2023

web manuale magia verde il grimorio di circe incantes el grimorio nov 24 2020 il grimorio nero oct 16 2022 il grimorio nero è un vero e proprio trattato di magia rituale onnicomprensivo inteso a insegnare una serie di cerimonie soprannaturali grazie alle quali il praticante fortifica sé stesso e acquisisce poteri speciali

**manuale di magia verde giacomo albano pdf scribd** - Jun 19 2023

web nuova pubblicazione manuale di magia verde questo libro spiega tutto ci che serve per usare le erbe nella pratica magia dal modo per incantarle al momento della raccolta e dell'uso in un rituale al modo in cui seminarle raccoglierle e conservarle per esaltare al massimo i loro naturali poteri magici

**manuale magia verde il grimorio di circe incantes** - Jul 08 2022

web look guide manuale magia verde il grimorio di circe incantes as you such as by searching the title publisher or authors of guide you truly want you can discover them rapidly in the house workplace or perhaps in your method can be all best place within net connections if you aspire to download and install the manuale magia verde il

manuale di magia verde il grimorio di circe chiara ygraayne - Apr 17 2023

web misticismo e magia manuale di magia verde il grimorio di circe di chiara ygraayne autore cerchio della luna 2012 3 libro disp in 10 gg 14 06 14 80 5

**manuale magia verde il grimorio di circe overdrive** - Sep 22 2023

web aug 12 2014 l arte nell'utilizzo della magia delle piante delle parole magiche e il potere di trasformarsi e trasformare sono punti cardine nel percorso di ogni wiccan ed è per questo che circe è una divinità da rivalutare e onorare soprattutto perché in grado di offrire il suo appoggio a tutte le maghe o streghe che dir si voglia

**il grimorio di circe manuale di magia verde chiara ygraayne** - Aug 21 2023

web l arte nell utilizzo della magia delle piante delle parole magiche e il potere di trasformarsi e trasformare sono punti cardine nel percorso di ogni wiccan e in questo studio circe è una divinità da rivalutare e onorare soprattutto perché in grado di offrire il suo appoggio a tutte le maghe o streghe che dir si voglia

**manuale magia verde il grimorio di circe incantes pantera adecco** - Oct 23 2023

web manuale magia verde il grimorio di circe incantes 3 3 and librarians turn fluidly into cats a battle against forces determined to destroy the city once and for all quickly ensues only teo the undrowned child who survived a tragic accident as a baby can go between the linings to subvert evil and restore order shamanic experience cerchio

**lesbos a cor obert proleg d oscar camps no ficcio pdf** - Jan 07 2023

web mar 9 2023 lesbos a cor obert proleg d oscar camps no ficcio 1 6 downloaded from uniport edu ng on march 9 2023 by guest lesbos a cor obert proleg d oscar camps

**lesbos a cor obert proleg d oscar camps no ficcio annika** - Jul 01 2022

web oscar camps no ficcio but end up in infectious downloads rather than enjoying a good book with a cup of tea in the afternoon instead they are facing with some malicious virus

**serie tv e film lesbo tutti i titoli disponibili sul catalogo di netflix** - Nov 24 2021

web jun 4 2021 disponibili per gli abbonati netflix varie proposte di serie tv e film lesbo ecco selezionata per voi una lista di titoli interessanti che non vorrete lasciarvi sfuggire la vita

*lesbos a cor obert proleg d oscar camps no ficcio 2022* - Feb 25 2022

web lesbos a cor obert proleg d oscar camps no ficcio but end up in infectious downloads rather than enjoying a good book with a cup of coffee in the afternoon

*lesbos a cor obert proleg d oscar camps no ficcio pdf* - Dec 06 2022

web mar 21 2023 lesbos a cor obert proleg d oscar camps no ficcio 1 5 downloaded from uniport edu ng on march 21 2023 by guest lesbos a cor obert proleg d oscar

lesbos a cor obert proleg d oscar camps no ficcio book - Aug 02 2022

web lesbos a cor obert proleg d oscar camps no ficcio the best books nov 17 2022 el libro español may 31 2021 histoire littéraire de la france apr 10 2022 catalan writing

lesbos a cor obert pròleg d oscar camps no ficció columna - Sep 22 2021

web jun 13 2023 lesbos a cor obert pròleg d oscar camps no ficció columna by arantza diez garcia proactiva open arms liderats per oscar camps premi català de l any

**lesbos a cor obert pròleg d oscar camps no ficció columna** - Mar 09 2023

web lesbos a cor obert pròleg d oscar camps no ficció columna by arantza diez garcia reseña del editor viure la guerra fugir ne deixar ho tot enrere contactar amb les

**lesbo fuori dai circuiti del turismo eppure così bella grecia** - Dec 26 2021

web lesbo la grande isola di saffo lesbos o isola di lesbo come la chiamano ancora oggi in molti è la terza isola per dimensione tra tutte quelle degli arcipelaghi greci e per molti più

isola di lesbo in grecia guida a cosa vedere e cosa fare - Oct 24 2021

web a sigri pittoresco villaggio dell isola di lesbo c è il museo della foresta pietrificata fondato nel 1994 la sua missione è la ricerca la conservazione e la protezione di

**lesbos a cor obert proleg d oscar camps no ficcio pdf** - Nov 05 2022

web mar 20 2023 right here we have countless ebook lesbos a cor obert proleg d oscar camps no ficcio and collections to check out we additionally present variant types and

**lesbos a cor obert proleg d oscar camps no ficcio** - Apr 29 2022

web censorship the full story has never been told until now john d lukacs spent years researching this heroic event interviewing survivors reading their letters searching

*lesbos a cor obert proleg d oscar camps no ficcio victor* - Oct 04 2022

web lesbos a cor obert arantza diez garcia 2016 10 26 viure la guerra fugir ne deixar ho tot enrere contactar amb les màfies patir l extorsió i el maltractament fer grans

**lesbos a cor obert pròleg d oscar camps no ficció columna** - Feb 08 2023

web jun 14 2023 lesbos a cor obert pròleg d oscar camps no ficció columna by arantza diez garcia is in addition useful this lesbos a cor obert

**lesbos a cor obert proleg d oscar camps no ficcio pdf** - Jul 13 2023

web within the pages of lesbos a cor obert proleg d oscar camps no ficcio an enchanting literary treasure full of natural feelings lies an immersive symphony waiting to be

**lesbos a cor obert pròleg d oscar camps ebook** - Jun 12 2023

web oct 26 2016 lesbos a cor obert pròleg d oscar camps 200 by arantza diez garcia read an excerpt of this book add to wishlist lesbos a cor obert pròleg d oscar

*lesbos a cor obert proleg d oscar camps no ficcio db udrive* - Mar 29 2022

web 2 lesbos a cor obert proleg d oscar camps no ficcio 2023 05 09 expertise on different aspects of ancient theatre it raises questions about how tragic and comic

*come raggiungere lesbos dalla turchia in turchia* - Jan 27 2022

web in auto o in bus da istanbul o da izmir l unico modo per raggiungere ayvalik è in auto si tratta di un tragitto relativamente impervio che potrete percorrere sia con la vostra auto

*lesbos a cor obert proleg d oscar camps no ficcio copy* - Sep 03 2022

web apr 16 2023 *lesbos a cor obert proleg d oscar camps no ficcio pdf* web9 mar 2023 *lesbos a cor obert proleg d oscar camps no ficcio* 3 6 downloaded from

**lesbos a cor obert proleg d oscar camps no ficcio pdf** - May 11 2023

web sep 13 2023 *lesbos a cor obert proleg d oscar camps no ficcio* 2 2 downloaded from uniport edu ng on september 13 2023 by guest necessarily male pseudonym of víctor

*lesbos a cor obert pròleg d oscar camps no ficció columna* - Aug 14 2023

web aug 11 2023 *lesbos a cor obert pròleg d oscar camps no ficció columna* by arantza diez garcia en català ignasi garcia barba *lesbos a cor obert pròleg doscar camps*

**lesbos a cor obert proleg d oscar camps no ficcio** - Apr 10 2023

web *lesbos a cor obert* apr 19 2020 viure la guerra fugir ne deixar ho tot enrere contactar amb les màfies patir l extorsió i el maltractament fer grans caminades creuar guerres

**lesbos a cor obert proleg d oscar camps no ficcio** - May 31 2022

web *lesbos a cor obert proleg d oscar camps no ficcio* 2 2 downloaded from uniport edu ng on september 11 2023 by guest white interior pages this teacher appreciation

**force 85 hp service repair manual pdf** - Apr 30 2023

web *force 85 hp pdf service repair manuals force 85 125 hp outboards master manual download now force outboard 85 hp 85hp 3 cyl 2 stroke 1984 1991 factory service repair manual pdf download now force 85 hp 1984 1991 workshop service repair manual download now*

**download force 85 125 hp outboard owners manual** - Oct 25 2022

web *download pdf force 85 125 hp outboard owners manual relj8p7g6d41 idocpub home current explore explore all upload login register home force 85 125 hp outboard owners manual download download force 85 125 hp outboard owners manual type pdf date october 2019 size 1 8mb*

*force 85 125 hp owner manual download pdf boating forum* - Sep 04 2023

web apr 10 2013 *re force 85 125 hp owner manual download pdf this link if it works reinsmith net gallery boating documents force 85 125 hp outboard owners manual pdf*

**force outboard 85 hp factory service repair manual pdf** - Dec 27 2022

web *force outboard 85 hp factory service repair manual pdf download rated 4 00 out of 5 based on 1 customer rating 1*

customer review 19 95 8 88

*force 85 125 hp outboards master manual tradebit* - Mar 18 2022

web force 85 125 hp outboards master manual force 85 125 hp outboards master manual full complete version file format pdf compatible all versions of windows mac linux

*force 125 outboard manual* - May 20 2022

web jul 7 2023 how to get free book force 85 125 hp outboard owners manual pdf check details force outboard 35 50 85 125 150 hp service repair manual tradebit random posts emerson cr188we owner s manual 15 jul 2023 by roy generator pigtail wiring 25 jul 2023 by roy

*force outboard repair manual free download by emily issuu* - Jun 20 2022

web jul 8 2017 get force outboard repair manual free download pdf file for free from our online library force outboard repair manual free download this particular document discuss about the topic of force

**owners manuals mercury marine mercury force 85 125 hp outboard** - Apr 18 2022

web our mercury avator electric propulsion systems are as kind the the environment as you are simple to use and fun to drive clean quiet authority that moves you read mercury force 85 125 hp outboard owners manual by glsense over issuu 5 hp outboard troubleshooting how manual pdf download

owners manuals mercury marine force 85 125 hp outboard owners - Sep 23 2022

web our mercury avator electric propulsion systems are as kinds to the our as they are simply at use and fun the drive clean quiet power that moves i on all print you can release download more than 80 operation owner s maintenance manual service and repair manuals for mercury outdoor air in pdf

**force 85 125 hp outboard owners manual pdf pdf scribd** - Jan 28 2023

web 97366439 force 85 125 hp outboard owners manual pdf free download as pdf file pdf or read online for free scribd is the world s largest social reading and publishing site force 85 125 hp outboard owners manual pdf

force 1988 1991 ob 4642 85 90 120 125hp outboard service manual - Jul 22 2022

web model year 1988 1991 model application survey force manual ob 4642 technical specifications pdf force marine outboard boat motor oem service manual watercraftmanuals com helping you get things done 1988 1991 force 85 90 120 125hp outboard motor service and repair manual ob4642 85hp 90hp 120hp 125hp

force 85 125 hp outboard owners manual documents and e - Jul 02 2023

web overview download view force 85 125 hp outboard owners manual as pdf for free more details pages 29 preview full text related documents force 85 125 hp outboard owners manual relj8p7g6d41

**force 85 125 hp outboard owners manual pdf scribd** - Oct 05 2023

web force 85 125 hp outboard owners manual free download as pdf file pdf text file txt or read online for free

**force 85 125 hp outboard owners manual pdf 2023 panoptic** - Feb 26 2023

web force 85 125 hp outboard owners manual pdf book review unveiling the magic of language in an electronic digital era where connections and knowledge reign supreme the enchanting power of language has become more apparent than ever  
mercury outboard service manuals free download pdf - Feb 14 2022

web on this page yourself can get download more than 80 operation owner s services manual service and repair manuals for mercury outboard motorization in pdf on this page you can free download more than 80 operation owner s equipment operating service and repairing manuals for mercury outboard motors inbound pdf

**owners manuals mercury marine force 85 125 hp outboard owners** - Jun 01 2023

web mercury outboards heavy reliable powerful heys guys i m in to process of ripping aside my outboards and thought it d be useful up have a manual nearby anyone know where i can download one for a 120 hp force used to be a dude on ebay

**mercury force 85 125 hp outboard owners manual issuu** - Aug 03 2023

web sep 19 2017 read mercury force 85 125 hp outboard owners manual by glsense on issuu and browse thousands of other publications on our platform start here

**force 85 125 hp outboard owners manual pdf scribd** - Mar 30 2023

web 97366439 force 85 125 hp outboard owners manual free download as pdf file pdf or read online for free  
owners manuals mercury marine force 85 125 hp outboard owners - Aug 23 2022

web our concentrated avator electric propulsion systems are as kind into the environment as they were simple to use and fun to drive clean quiet power that moves you force 1991 ob 4589 70hp outboard service manual download pdf

**force service repair manual pdf just give me the damn manual** - Nov 25 2022

web force outboards 75 90 120hp master manual download now force 85 125 hp outboards master manual download now  
kawasaki brute force 750 service manual download now 2012 2013 kawasaki brute force 750 4 4i kvf750 4 4 eps service repair manual instant download download now