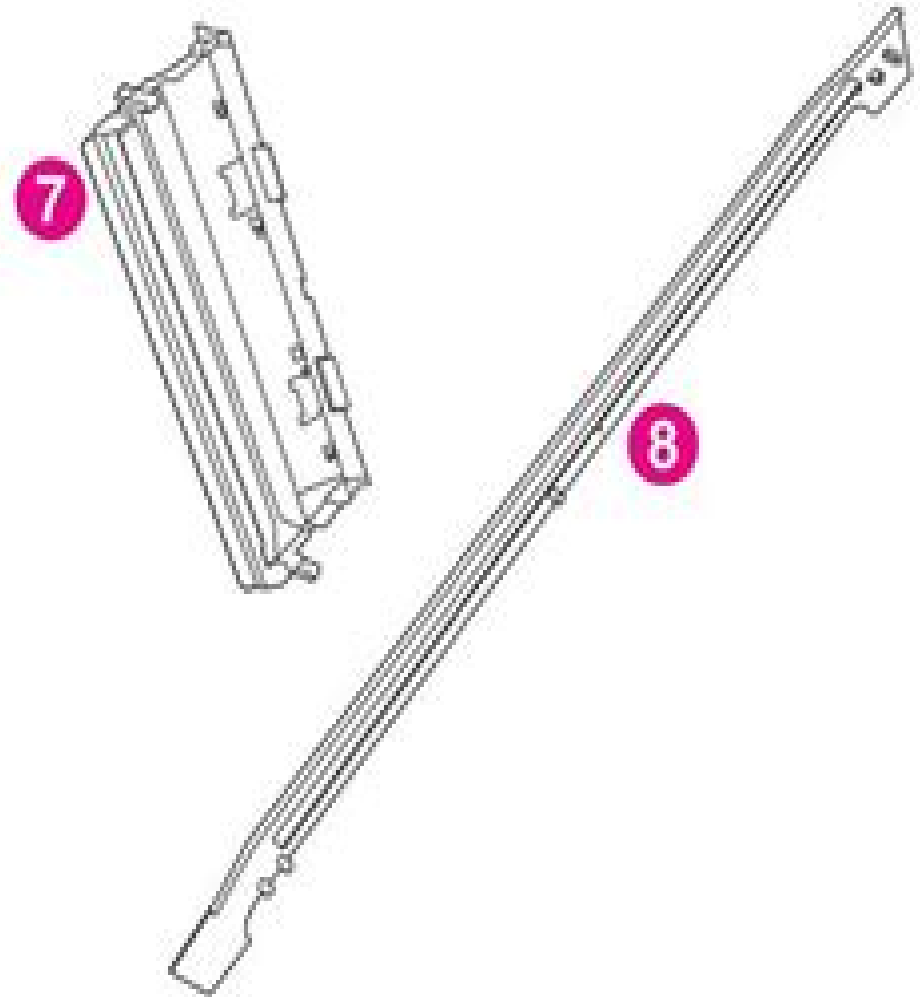
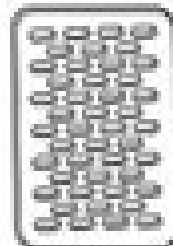
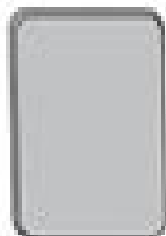
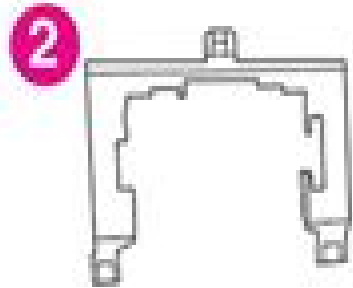
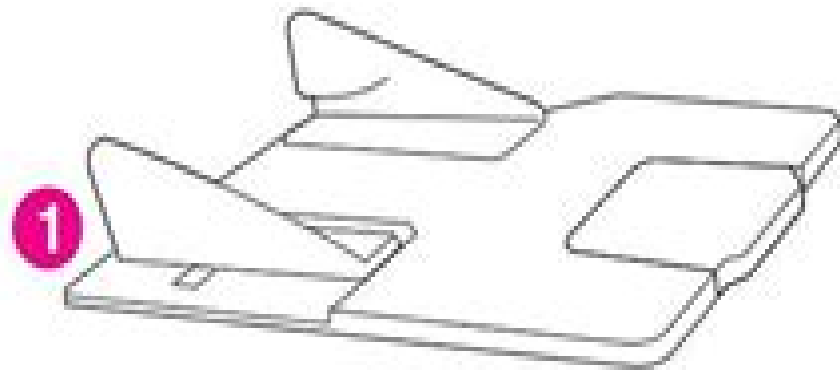


Customer-replaceable components (ADF and scanner)



Hp Laserjet 4345mfp Series Service Parts Manual

RJ Alexander



Hp Laserjet 4345mfp Series Service Parts Manual:

The Top Books of the Year Hp Laserjet 4345mfp Series Service Parts Manual The year 2023 has witnessed a noteworthy surge in literary brilliance, with numerous compelling novels captivating the hearts of readers worldwide. Lets delve into the realm of bestselling books, exploring the captivating narratives that have enthralled audiences this year. The Must-Read : Colleen Hoover's "It Ends with Us" This heartfelt tale of love, loss, and resilience has gripped readers with its raw and emotional exploration of domestic abuse. Hoover skillfully weaves a story of hope and healing, reminding us that even in the darkest of times, the human spirit can succeed. Uncover the Best : Taylor Jenkins Reids "The Seven Husbands of Evelyn Hugo" This spellbinding historical fiction novel unravels the life of Evelyn Hugo, a Hollywood icon who defies expectations and societal norms to pursue her dreams. Reids captivating storytelling and compelling characters transport readers to a bygone era, immersing them in a world of glamour, ambition, and self-discovery. Hp Laserjet 4345mfp Series Service Parts Manual : Delia Owens "Where the Crawdads Sing" This evocative coming-of-age story follows Kya Clark, a young woman who grows up alone in the marshes of North Carolina. Owens spins a tale of resilience, survival, and the transformative power of nature, entrancing readers with its evocative prose and mesmerizing setting. These bestselling novels represent just a fraction of the literary treasures that have emerged in 2023. Whether you seek tales of romance, adventure, or personal growth, the world of literature offers an abundance of engaging stories waiting to be discovered. The novel begins with Richard Papan, a bright but troubled young man, arriving at Hampden College. Richard is immediately drawn to the group of students who call themselves the Classics Club. The club is led by Henry Winter, a brilliant and charismatic young man. Henry is obsessed with Greek mythology and philosophy, and he quickly draws Richard into his world. The other members of the Classics Club are equally as fascinating. Bunny Corcoran is a wealthy and spoiled young man who is always looking for a good time. Charles Tavis is a quiet and reserved young man who is deeply in love with Henry. Camilla Macaulay is a beautiful and intelligent young woman who is drawn to the power and danger of the Classics Club. The students are all deeply in love with Morrow, and they are willing to do anything to please him. Morrow is a complex and mysterious figure, and he seems to be manipulating the students for his own purposes. As the students become more involved with Morrow, they begin to commit increasingly dangerous acts. The Secret History is a brilliant and suspenseful novel that will keep you wondering until the very end. The novel is a cautionary tale about the dangers of obsession and the power of evil.

https://staging.conocer.cide.edu/files/scholarship/Download_PDFS/Germany_A_Picture_Memory.pdf

Table of Contents Hp Laserjet 4345mfp Series Service Parts Manual

1. Understanding the eBook Hp Laserjet 4345mfp Series Service Parts Manual
 - The Rise of Digital Reading Hp Laserjet 4345mfp Series Service Parts Manual
 - Advantages of eBooks Over Traditional Books
2. Identifying Hp Laserjet 4345mfp Series Service Parts Manual
 - Exploring Different Genres
 - Considering Fiction vs. Non-Fiction
 - Determining Your Reading Goals
3. Choosing the Right eBook Platform
 - Popular eBook Platforms
 - Features to Look for in an Hp Laserjet 4345mfp Series Service Parts Manual
 - User-Friendly Interface
4. Exploring eBook Recommendations from Hp Laserjet 4345mfp Series Service Parts Manual
 - Personalized Recommendations
 - Hp Laserjet 4345mfp Series Service Parts Manual User Reviews and Ratings
 - Hp Laserjet 4345mfp Series Service Parts Manual and Bestseller Lists
5. Accessing Hp Laserjet 4345mfp Series Service Parts Manual Free and Paid eBooks
 - Hp Laserjet 4345mfp Series Service Parts Manual Public Domain eBooks
 - Hp Laserjet 4345mfp Series Service Parts Manual eBook Subscription Services
 - Hp Laserjet 4345mfp Series Service Parts Manual Budget-Friendly Options
6. Navigating Hp Laserjet 4345mfp Series Service Parts Manual eBook Formats
 - ePub, PDF, MOBI, and More
 - Hp Laserjet 4345mfp Series Service Parts Manual Compatibility with Devices
 - Hp Laserjet 4345mfp Series Service Parts Manual Enhanced eBook Features
7. Enhancing Your Reading Experience
 - Adjustable Fonts and Text Sizes of Hp Laserjet 4345mfp Series Service Parts Manual
 - Highlighting and Note-Taking Hp Laserjet 4345mfp Series Service Parts Manual
 - Interactive Elements Hp Laserjet 4345mfp Series Service Parts Manual
8. Staying Engaged with Hp Laserjet 4345mfp Series Service Parts Manual

- Joining Online Reading Communities
 - Participating in Virtual Book Clubs
 - Following Authors and Publishers Hp Laserjet 4345mfp Series Service Parts Manual
9. Balancing eBooks and Physical Books Hp Laserjet 4345mfp Series Service Parts Manual
- Benefits of a Digital Library
 - Creating a Diverse Reading Collection Hp Laserjet 4345mfp Series Service Parts Manual
10. Overcoming Reading Challenges
- Dealing with Digital Eye Strain
 - Minimizing Distractions
 - Managing Screen Time
11. Cultivating a Reading Routine Hp Laserjet 4345mfp Series Service Parts Manual
- Setting Reading Goals Hp Laserjet 4345mfp Series Service Parts Manual
 - Carving Out Dedicated Reading Time
12. Sourcing Reliable Information of Hp Laserjet 4345mfp Series Service Parts Manual
- Fact-Checking eBook Content of Hp Laserjet 4345mfp Series Service Parts Manual
 - Distinguishing Credible Sources
13. Promoting Lifelong Learning
- Utilizing eBooks for Skill Development
 - Exploring Educational eBooks
14. Embracing eBook Trends
- Integration of Multimedia Elements
 - Interactive and Gamified eBooks

Hp Laserjet 4345mfp Series Service Parts Manual Introduction

In this digital age, the convenience of accessing information at our fingertips has become a necessity. Whether its research papers, eBooks, or user manuals, PDF files have become the preferred format for sharing and reading documents. However, the cost associated with purchasing PDF files can sometimes be a barrier for many individuals and organizations. Thankfully, there are numerous websites and platforms that allow users to download free PDF files legally. In this article, we will explore some of the best platforms to download free PDFs. One of the most popular platforms to download free PDF files is Project Gutenberg. This online library offers over 60,000 free eBooks that are in the public domain. From classic literature to

historical documents, Project Gutenberg provides a wide range of PDF files that can be downloaded and enjoyed on various devices. The website is user-friendly and allows users to search for specific titles or browse through different categories. Another reliable platform for downloading Hp Laserjet 4345mfp Series Service Parts Manual free PDF files is Open Library. With its vast collection of over 1 million eBooks, Open Library has something for every reader. The website offers a seamless experience by providing options to borrow or download PDF files. Users simply need to create a free account to access this treasure trove of knowledge. Open Library also allows users to contribute by uploading and sharing their own PDF files, making it a collaborative platform for book enthusiasts. For those interested in academic resources, there are websites dedicated to providing free PDFs of research papers and scientific articles. One such website is Academia.edu, which allows researchers and scholars to share their work with a global audience. Users can download PDF files of research papers, theses, and dissertations covering a wide range of subjects. Academia.edu also provides a platform for discussions and networking within the academic community. When it comes to downloading Hp Laserjet 4345mfp Series Service Parts Manual free PDF files of magazines, brochures, and catalogs, Issuu is a popular choice. This digital publishing platform hosts a vast collection of publications from around the world. Users can search for specific titles or explore various categories and genres. Issuu offers a seamless reading experience with its user-friendly interface and allows users to download PDF files for offline reading. Apart from dedicated platforms, search engines also play a crucial role in finding free PDF files. Google, for instance, has an advanced search feature that allows users to filter results by file type. By specifying the file type as "PDF," users can find websites that offer free PDF downloads on a specific topic. While downloading Hp Laserjet 4345mfp Series Service Parts Manual free PDF files is convenient, it's important to note that copyright laws must be respected. Always ensure that the PDF files you download are legally available for free. Many authors and publishers voluntarily provide free PDF versions of their work, but it's essential to be cautious and verify the authenticity of the source before downloading Hp Laserjet 4345mfp Series Service Parts Manual. In conclusion, the internet offers numerous platforms and websites that allow users to download free PDF files legally. Whether it's classic literature, research papers, or magazines, there is something for everyone. The platforms mentioned in this article, such as Project Gutenberg, Open Library, Academia.edu, and Issuu, provide access to a vast collection of PDF files. However, users should always be cautious and verify the legality of the source before downloading Hp Laserjet 4345mfp Series Service Parts Manual any PDF files. With these platforms, the world of PDF downloads is just a click away.

FAQs About Hp Laserjet 4345mfp Series Service Parts Manual Books

What is a Hp Laserjet 4345mfp Series Service Parts Manual PDF? A PDF (Portable Document Format) is a file format

developed by Adobe that preserves the layout and formatting of a document, regardless of the software, hardware, or operating system used to view or print it. **How do I create a Hp Laserjet 4345mfp Series Service Parts Manual PDF?** There are several ways to create a PDF: Use software like Adobe Acrobat, Microsoft Word, or Google Docs, which often have built-in PDF creation tools. Print to PDF: Many applications and operating systems have a "Print to PDF" option that allows you to save a document as a PDF file instead of printing it on paper. Online converters: There are various online tools that can convert different file types to PDF. **How do I edit a Hp Laserjet 4345mfp Series Service Parts Manual PDF?** Editing a PDF can be done with software like Adobe Acrobat, which allows direct editing of text, images, and other elements within the PDF. Some free tools, like PDFescape or Smallpdf, also offer basic editing capabilities. **How do I convert a Hp Laserjet 4345mfp Series Service Parts Manual PDF to another file format?** There are multiple ways to convert a PDF to another format: Use online converters like Smallpdf, Zamzar, or Adobe Acrobats export feature to convert PDFs to formats like Word, Excel, JPEG, etc. Software like Adobe Acrobat, Microsoft Word, or other PDF editors may have options to export or save PDFs in different formats. **How do I password-protect a Hp Laserjet 4345mfp Series Service Parts Manual PDF?** Most PDF editing software allows you to add password protection. In Adobe Acrobat, for instance, you can go to "File" -> "Properties" -> "Security" to set a password to restrict access or editing capabilities. Are there any free alternatives to Adobe Acrobat for working with PDFs? Yes, there are many free alternatives for working with PDFs, such as: LibreOffice: Offers PDF editing features. PDFsam: Allows splitting, merging, and editing PDFs. Foxit Reader: Provides basic PDF viewing and editing capabilities. How do I compress a PDF file? You can use online tools like Smallpdf, ILovePDF, or desktop software like Adobe Acrobat to compress PDF files without significant quality loss. Compression reduces the file size, making it easier to share and download. Can I fill out forms in a PDF file? Yes, most PDF viewers/editors like Adobe Acrobat, Preview (on Mac), or various online tools allow you to fill out forms in PDF files by selecting text fields and entering information. Are there any restrictions when working with PDFs? Some PDFs might have restrictions set by their creator, such as password protection, editing restrictions, or print restrictions. Breaking these restrictions might require specific software or tools, which may or may not be legal depending on the circumstances and local laws.

Find Hp Laserjet 4345mfp Series Service Parts Manual :

[germany a picture memory](#)

[germany federal republic nagels encyclopediaguide](#)

[george eliots pulse](#)

german grammar handbook

[gerald of wales on the instruction of](#)

geothermal energy as a source of electricity

german leaders of yesterday and to day

geophysical data analysis discrete inverse theory

geomorphology in deserts

george parker winship as librarian typophile and teacher

george auriol

george h. morris teaches beginners to ride a clinic for instructors parents and students

george peabody

germans their modern history

gerald ferguson the initial alphabet

Hp Laserjet 4345mfp Series Service Parts Manual :

solutions upper intermediate progress test answer key - Dec 26 2021

solutions intermediate progress test unit 6 answer key fill - Apr 29 2022

web jan 3 2021 the average score of singapore students was 38 35 points higher than the global average of 29 81 the ib organisation which conducts the exams said that there

progress tests intermediate pdf scribd - Dec 06 2022

web progress test answer keys a unit 1 grammar 1 1 did you go 2 stayed 3 wanted 4 forgot 5 weren t 6 went 2 1 fell over broke his arm 2 didn t go to school he watched dvds all day

straightforward upper intermediate progress test 1 answer key - Nov 05 2022

web progress test 1a units 1 4 name 1 choose the correct answers 5 points do you belong to with any societies 1 john is very unsociable unpredictable you never

ef3e int progresstest 1 5 answerkey pdf pdf - Oct 16 2023

web solutions third edition intermediate tests 13 progress test answer keys a sol3e int progress test answer keys a pdf free download as pdf file pdf text

english file teacher s site oxford university press - Mar 09 2023

web progress tests intermediate free download as pdf file pdf or read online for free intermediate progress tests intermediate progress tests photocopy one test

navigate teacher s site teaching resources oxford university - Feb 08 2023

web straightforward upper intermediate progress test 1 answer key vocabulary a 1 obsessed with 2 looks 3 gets upset 4 aggressive 5 the thing is 6 to begin with 7 look

tests oxford practice grammar oxford university press - Aug 14 2023

web intermediate plus progress test files 1 5 answer key b listening and speaking listening 1 1 c 2 b 3 a 4 c 5 c 2 1 c 2 f 3 d 4 a 5 e speaking interactive

progress test answer keys a unit 1 grammar pdf scribd - Sep 15 2023

web oxford practice grammar intermediate tests download the tests and answer key for oxford practice grammar intermediate tests pdf 870kb tests answer key pdf

tests answer key test generator launcher - Jan 07 2023

web progress test answer keys unit 1 work skills 1 1 what do you do grammar 2 who do you work for 1 1 does start doesn't start 3 what type of company is it 2 do speak

[solutions pre intermediate progress test answer key pdf filler](#) - Nov 24 2021

business result pre intermediate progress test with answer - Feb 25 2022

web fill solutions pre intermediate progress test answer key edit online sign fax and printable from pc ipad tablet or mobile with pdf filler instantly try now

oxford solutions intermediate oxford solutions - Jun 12 2023

web english file answer keys for student's books teacher's guides complete support for every lesson including lesson plans photocopyables and extra ideas to make each lesson your

solutions intermediate progress test unit 6 answer key pdf filler - Jul 01 2022

web straightforward pre intermediate progress test 4 answer key 1 listening part 1 1i 2b 3h 4g 5a part 2 6c 7b 8a 9a 10 b reading part 1 1c 2f 3e 4a 5d part 2 6c 7a 8b 9b 10 a

oxford solutions intermediate oxford solutions intermediate - May 31 2022

web jun 10 2021 pre intermediate progress test with answer key pdf sciarium files higher education and science languages and linguistics english language business

progress test answer keys pdf economies business scribd - Oct 04 2022

web the test typically covers various aspects of the course including grammar vocabulary reading writing listening and speaking by evaluating students performance on the

straightforward pre intermediate progress test 4 answer key - Mar 29 2022

web 2 solutions upper intermediate progress test answer key 2023 09 28 and the review sections at the back of the books

allow students and their teachers to keep track of their

singapore january ibdp 2021 results whichschooladvisor com - Jan 27 2022

english unlimited intermediate progress tests - May 11 2023

web download the navigate coursebook answer keys to use in your lessons test content from teacher s resource discs end of course progress unit speaking and writing tests for

new success intermediate progress test 1a documents and e - Aug 02 2022

web make these quick steps to edit the pdf solutions intermediate progress test unit 6 answer key online for free sign up and log in to your account sign in to the editor using

oxford solutions pre int progress tests answer keys a pdf - Sep 03 2022

web jun 29 2021 oxford solutions intermediate tests 3 progress test answer keys a 3 listening 1 2 3 4 her leg will get better faster if she takes it i will be sleeping then you

grammar vocabulary and pronunciation grammar 4 1 5 2 - Jul 13 2023

web oxford solutions intermediate oxford solutions intermediate progress test answer key b free download as pdf file pdf text file txt or read online for free oxford

solutions intermediate progress test a klucz odpowiedzi - Apr 10 2023

web grammar a 1 could you tell me who your favourite actor is 2 do you think you could show me it on the map 3 do you know where i can find a good restaurant 4 why

marrs spelling bee - Jan 29 2022

web spellingbee marrsspellingbee marrs spelling competition spellbee marrs spelling competition marrs competition

about marrs spelling bee olympiad tester - Oct 06 2022

web about marrs spelling bee the competition begins at the school and then progresses to the international level through the inter school state and national championships only those who qualify in the school competition would be eligible to participate in the inter school championship

levels and round marrs spelling bee - Jun 14 2023

web all those who qualify from the oral round of the inter school and national championship may participate in the national gcc levels respectively those who do not attend the oral round are disqualified from participating in the next level

marrs international spellbee grade 1 pdf scribd - Mar 31 2022

web grade i to xii levels school interschool state national international website marrsspellingbee in think beyond your imagination se think beyond your imagination scientia exertus se is an innovative and thought provoking national level

science activity conducted with an objective to promote deep learning in science

[marrs pre school bee english national level slideshare](#) - Dec 28 2021

web slide question practice for marrs pre school bee english national level picture composition 12 tests

[marrs spelling bee marrs spellbee twitter](#) - Nov 07 2022

web jul 16 2010 marrs spelling bee initiates students into the world of competitive learning acting as an sharp tool for language improvement and vocabulary enhancement kochi kerala marrsspellingbee com joined july 2010

marrs international spelling bee - Aug 04 2022

web marrs international spelling bee is the world s largest motivated language learning activity in the world conceived as a combination of competition and learning it facilitates the acquisition of various comprehensions of the english language in a progressive manner

marrs pre school bee english senior kg national level word - Jul 03 2022

web may 12 2018 marrs pre school bee english senior kg national level word application slide practice about back clear fall hard 1 it s all good habits 2 she is behind your pack 3 my birthday will on a sunday 4 it s to say who is lying 5 the sound is not to me

marrs spelling bee spell bee study material and practice tests - Jan 09 2023

web may 11 2017 how to prepare your child for marrs spelling bee competition exam here are study material practice tests and books for spellbee children visit marrss

[marrs learning centre](#) - Sep 05 2022

web the final level national comprises of 5 oral rounds oral round word build question tags find the odd man out fill in the blanks correct the given sentences the students are categorized on the basis of the classes

marrs spelling bee - May 13 2023

web welcome to marrs spelling bee marrs spelling bee initiates students into the world of competitive learning acting as an invaluable tool for language improvement the healthy competitive spirit motivates the students to learn on their own without any compulsion

marrs spelling bee - Apr 12 2023

web welcome to marrs spelling bee marrs spelling bee initiates students into the world of competitive learning acting as an invaluable tool for language improvement the healthy competitive spirit motivates the students to learn on their own without any compulsion this self based learning improves retention and results in a systematic and

spelling bee wikipedia - Dec 08 2022

web in the united states spelling bees are annually held from local levels up to the level of the scripps national spelling bee

which awards a cash prize to the winner the national spelling bee is sponsored by english language newspapers and educational foundations it is also broadcast on espn

marrs spelling bee - Jun 02 2022

web competition level description view 1 19 20 interschool interschool written round 19 20 dg international thane marrs spelling bee interschool championship 19 20 schedule 18 20 21 interschool misb interschool mumbai 2020 2021 19 19 20 interschool bangalore interschool championship 20 21 22 national

marrs spelling bee study material interschool state national - Jul 15 2023

web note that these are study material made available by the organisers of the marrs spelling bee competition you will get reference material for study for interschool state national and international levels

marrs pre school bee nursery english national level test - May 01 2022

web sep 5 2023 marrs pre school bee nursery english national level test set written round topics 1 of 23 more related content similar to marrs pre school bee nursery english national level test set written round topics 20 mock test 1 junior kg inter school spell bee academy 426 views

how to prepare marrs international spelling bee spell bee - Feb 27 2022

web marrs international spelling bee classmate spell bee wiz national spell bee sakshi india spell bee nepal spell bee bangladesh spell bee dawn spelling bee pakistan written round 5 or 10 mock tests at a fee write to us phonemic awareness all word application all identify the correct spelling cat 1 2 picture crossword

marrs spelling bee national level - Mar 11 2023

web marrs spelling bee national level scripps national spelling bee scr n play o p sep 16 2022 how well do you spell find out thanks to the innovative scratch play r format you can experience the scripps national spelling bee as a competitor each page provides a definition and the pronunciation of a real spelling bee

marrs spelling bee study material books practice sample - Feb 10 2023

web marrs international spelling bee click now classmate spell bee wiz national spell bee sakshi india spell bee nepal spell bee bangladesh spell bee dawn spelling bee pakistan written round 5 or 10 mock tests at a fee write to us phonemic awareness all word application all identify the correct spelling cat 1 2 picture

marrs spelling bee wikipedia - Aug 16 2023

web rounds and levels the competition begins from the school level and moves on to the first national assessment state national and finally to the international level students are divided into six categories based on their grades at

james and the giant peach comprehension questions - Aug 16 2023

web if you were james what questions would you have liked to ask the man about the green crocodile tongues what do you

think will happen next in the story chapter 6 7 what do james aunts see on the peach tree what do james aunts order him to do what surprises james aunts about the peach

james the giant peach chapters 1 5 study com - Mar 31 2022

web quiz course try it risk free for 30 days instructions choose an answer and hit next you will receive your score and answers at the end question 1 of 3 why is james s life so terrible

[james and the giant peach comprehension questions and](#) - Jan 29 2022

web learning to grow bethany lewis the james and the giant peach activities in this book study will make using this amazing book even easier the packet is filled with reading and writing activities it includes comprehension questions and answers

james and the giant peach reading comprehension - Jan 09 2023

web this james and the giant peach reading comprehension is an ideal exercise to complete as children are reading this beloved children s book for the first time it features questions and a full assessment and marking guide based on different chapters of the book making it a useful teaching tool for parents and teachers alike the questions

results for james and the giant peach comprehension questions - May 01 2022

web this is a 69 page comprehension and vocabulary packet for james and the giant peach by roald dahl the student work is organized by every 3 chapters and is a mix of sequencing multiple choice short answer vocabulary work and creative activities

[james and the giant peach reading comprehension](#) - Dec 28 2021

web oct 4 2014 james and the giant peach reading comprehension teaching resources subject english age range 7 11 resource type worksheet activity file previews doc 214 5 kb docx 12 05 kb 3 way differentiated reading comprehension on james and the giant peach used with year 3 class

guided reading james and the giant peach teaching resources - Apr 12 2023

web feb 22 2018 a sheet of individual pupil questions that they glue into their reading response journals after reading a chapter with the teacher again not entirely mine as i found some questions here and there it will save lots of paper as i

[228 top james and the giant peach comprehension teaching twinkl](#) - Dec 08 2022

web 228 top james and the giant peach comprehension teaching resources curated for you differentiated comprehension marking and assessment guide for teachers to support teaching on james and the giant peach

[james the giant peach comprehension questions study com](#) - Sep 05 2022

web 5 2k views characters james and the giant peach what kind of boy is james use adjectives to describe him and evidence from the text to support your analysis what do aunt sponge and

[james and the giant peach questions and answers enotes com](#) - Feb 10 2023

web critical essays analysis questions answers lesson plans james and the giant peach questions and answers why according to the narrator of james and the giant peach are many people

comprehension questions james and the giant peach - Feb 27 2022

web jan 25 2023 with the big peach he starts ampere new life making friends along the way with hilarious characters like aforementioned grasshopper and the earthworm differential comprehension marking plus assessment guide for teachers to support doctrine on james and the giant fruit understanding matter section 1 describing james s situation

james and the giant peach chapter 1 worksheet live - Oct 06 2022

web may 10 2021 id 1486516 05 10 2021 country code bs country bahamas school subject reading 1061920 main content james and the giant peach 1559959 students will answer questions after listening to the story share print worksheet finish *comprehension questions james and the giant peach* - Jul 15 2023

web jan 25 2023 grades 4 5 genre fantasy grl s ar pts 4 0 james henry trotter loses his parents and is forced to live with his evil aunts luckily he is given magic crystals which he accidentally spills on his aunts decrepit peach tree one of the peaches begins to grow and grow and grow

220 top james and the giant peach comprehension teaching twinkl - Nov 07 2022

web james and the giant peach james and the giant peach guided reading james and the giant peach comprehension questions charlie and the chocolate factory comprehension james and the giant peach activities james and the giant peach reading comprehension roald dahl comprehension book review roald dahl james and the giant peach story

james and the giant peach guided reading lesson plans - Jul 03 2022

web 24 7 customer support with real people sign up now to download james and the giant peach guided reading lesson plans for y3 4 help your young children explore this magical story with our james and the giant peach guided reading lesson plans designed by an expert team of teachers for use with children in years 3 and 4 show more

james and the giant peach study guide litcharts - Aug 04 2022

web the best study guide to james and the giant peach on the planet from the creators of sparknotes get the summaries analysis and quotes you need

[james and the giant peach reading comprehension](#) - May 13 2023

web this james and the giant peach reading comprehension is an ideal exercise to complete as children are reading this beloved children s book for the first time it features questions and a full assessment and marking guide based on different chapters of the book making it a useful teaching tool for parents and teachers alike the questions

james and the giant peach quizzes gradesaver - Jun 02 2022

web james and the giant peach quiz 1 1 why did james move in with his aunts his parents died he liked his aunts better than

his parents he wanted to move away from the beach his parents couldn't afford to raise him anymore 2 how did james parents die a car accident a rhinoceros attack a fire in their home a plane crash

james and the giant peach reading comprehension - Mar 11 2023

web this james and the giant peach reading comprehension is an ideal exercise to complete as children are reading this beloved children's book for the first time it features questions and a full assessment and marking guide based on different chapters of the book making it a useful teaching tool for parents and teachers alike the questions

james and the giant peach comprehension q a all chapters quizlet - Jun 14 2023

web 1 what happened to james parents how old was he at the time ch 1 james parents were eaten by an angry rhinoceros who escaped from the zoo when james was four 2 who did james go to live with how did they treat him ch 1 james lives with his aunt sponge and aunt spiker who treat him terribly 1