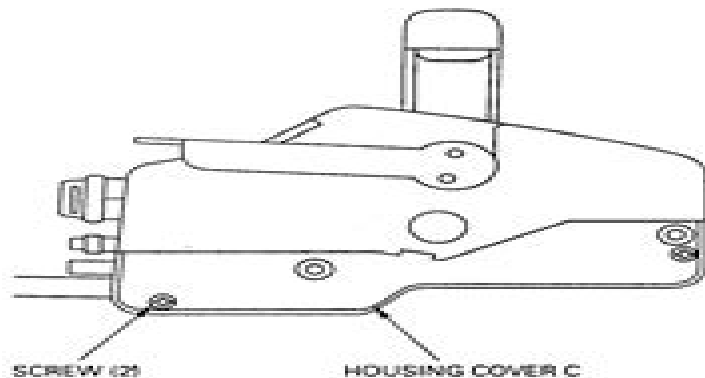


REMOTE CONTROL CABLE INSTALLATION (REMOTE CONTROL END)

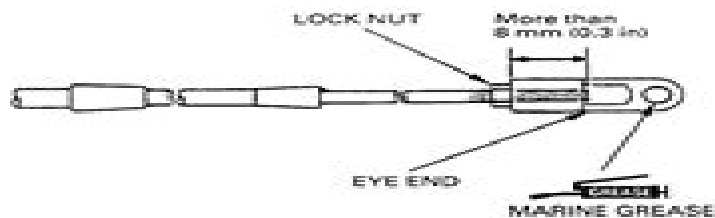
[SIDE-MOUNT CONTROL]

Route the remote control cable and connect to the remote control box side first.

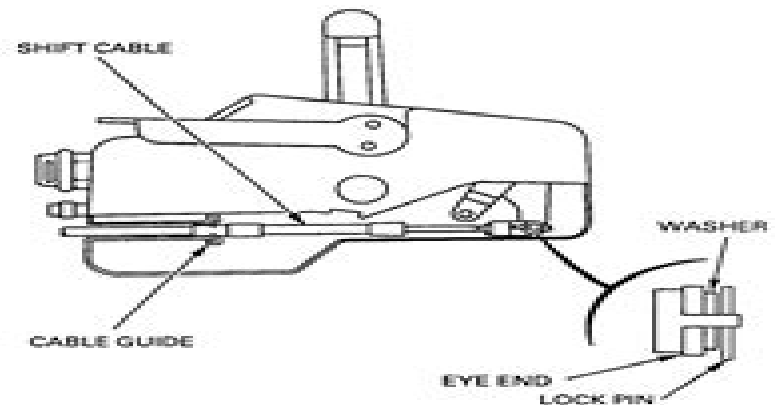
1. Remove the two screws and housing cover C.



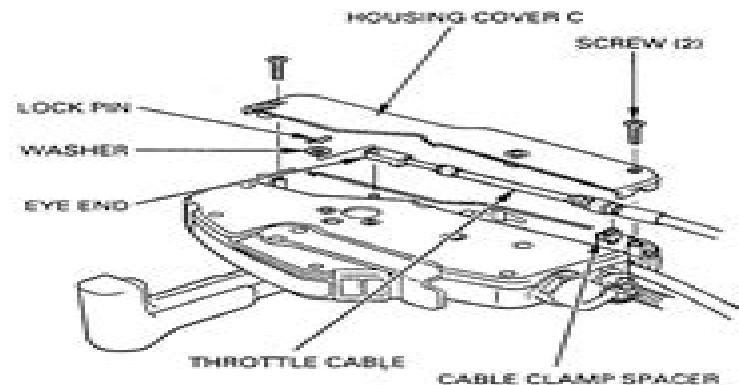
2. Screw the lock nuts and eye ends more than 8 mm (0.3 in) onto the control box side of the remote control cable and tighten the lock nut securely to hold the pivot. Apply marine grease to the hole of the eye end.



3. Install the shift cable by aligning the groove of the control cable with the cable guide plate.
4. Connect the eye end to the shift lever using the washer and 6 mm lock pin.



5. Install the cable clamp spacer.
6. Install the throttle control cable by aligning the groove with the cable guide plate.
7. Connect the eye end to the shift lever using the washer and 6 mm lock pin.
8. Install the housing cover C and secure with the two screws.



Honda Outboard Remote Control Workshop Manual

**United States. Superintendent of
Documents**



Honda Outboard Remote Control Workshop Manual:

Clymer Honda 4-stroke Outboard Shop Manual, 2-130 HP, 1976-1999 Clymer Publications Staff, Clymer Publishing, 1999

Outboard Motor Service Manual: Motors below 30 hp, 1979 **Boating**, 1968-01 **Paperbound Books in Print**, 1992 *Field & Stream*, 1973-12 FIELD STREAM America's largest outdoor sports magazine celebrates the outdoor experience with great stories compelling photography and sound advice while honoring the traditions hunters and fishermen have passed down for generations **Whitaker's Books of the Month and Books to Come**, 1985 **Boating**, 1976-07

Books on Japan in Western Languages Recently Acquired by the National Diet Library Kokuritsu Kokkai Toshokan (Japan), 1998 The Cumulative Book Index, 1974 **Motor Cycling and Motoring**, 1977 **Lakeland Boating**, 1982 *Moody's International Manual*, 2000 *Scientific and Technical Aerospace Reports*, 1984 **Monthly Catalog of United States Government Publications** United States. Superintendent of Documents, 1982 February issue includes Appendix entitled Directory of United States Government periodicals and subscription publications September issue includes List of depository libraries June and December issues include semiannual index Commerce Business Daily, 2001-03 *Indexes* United States. Environmental Protection Agency, 1983 **Autocar & Motor**, 1994-04 **Autocar**, 2002 Monthly Catalogue, United States Public Documents, 1994-08 *Marine Engineering/log*, 1983

This is likewise one of the factors by obtaining the soft documents of this **Honda Outboard Remote Control Workshop Manual** by online. You might not require more mature to spend to go to the books initiation as skillfully as search for them. In some cases, you likewise realize not discover the pronouncement Honda Outboard Remote Control Workshop Manual that you are looking for. It will completely squander the time.

However below, taking into consideration you visit this web page, it will be fittingly very easy to acquire as competently as download guide Honda Outboard Remote Control Workshop Manual

It will not undertake many times as we notify before. You can realize it even though affect something else at home and even in your workplace. correspondingly easy! So, are you question? Just exercise just what we allow below as capably as review **Honda Outboard Remote Control Workshop Manual** what you next to read!

https://staging.conocer.cide.edu/files/browse/Download_PDFS/garelli%20moped%20repair%20manual.pdf

Table of Contents Honda Outboard Remote Control Workshop Manual

1. Understanding the eBook Honda Outboard Remote Control Workshop Manual
 - The Rise of Digital Reading Honda Outboard Remote Control Workshop Manual
 - Advantages of eBooks Over Traditional Books
2. Identifying Honda Outboard Remote Control Workshop Manual
 - Exploring Different Genres
 - Considering Fiction vs. Non-Fiction
 - Determining Your Reading Goals
3. Choosing the Right eBook Platform
 - Popular eBook Platforms
 - Features to Look for in an Honda Outboard Remote Control Workshop Manual
 - User-Friendly Interface
4. Exploring eBook Recommendations from Honda Outboard Remote Control Workshop Manual

- Personalized Recommendations
 - Honda Outboard Remote Control Workshop Manual User Reviews and Ratings
 - Honda Outboard Remote Control Workshop Manual and Bestseller Lists
5. Accessing Honda Outboard Remote Control Workshop Manual Free and Paid eBooks
 - Honda Outboard Remote Control Workshop Manual Public Domain eBooks
 - Honda Outboard Remote Control Workshop Manual eBook Subscription Services
 - Honda Outboard Remote Control Workshop Manual Budget-Friendly Options
 6. Navigating Honda Outboard Remote Control Workshop Manual eBook Formats
 - ePub, PDF, MOBI, and More
 - Honda Outboard Remote Control Workshop Manual Compatibility with Devices
 - Honda Outboard Remote Control Workshop Manual Enhanced eBook Features
 7. Enhancing Your Reading Experience
 - Adjustable Fonts and Text Sizes of Honda Outboard Remote Control Workshop Manual
 - Highlighting and Note-Taking Honda Outboard Remote Control Workshop Manual
 - Interactive Elements Honda Outboard Remote Control Workshop Manual
 8. Staying Engaged with Honda Outboard Remote Control Workshop Manual
 - Joining Online Reading Communities
 - Participating in Virtual Book Clubs
 - Following Authors and Publishers Honda Outboard Remote Control Workshop Manual
 9. Balancing eBooks and Physical Books Honda Outboard Remote Control Workshop Manual
 - Benefits of a Digital Library
 - Creating a Diverse Reading Collection Honda Outboard Remote Control Workshop Manual
 10. Overcoming Reading Challenges
 - Dealing with Digital Eye Strain
 - Minimizing Distractions
 - Managing Screen Time
 11. Cultivating a Reading Routine Honda Outboard Remote Control Workshop Manual
 - Setting Reading Goals Honda Outboard Remote Control Workshop Manual
 - Carving Out Dedicated Reading Time
 12. Sourcing Reliable Information of Honda Outboard Remote Control Workshop Manual

- Fact-Checking eBook Content of Honda Outboard Remote Control Workshop Manual
 - Distinguishing Credible Sources
13. Promoting Lifelong Learning
- Utilizing eBooks for Skill Development
 - Exploring Educational eBooks
14. Embracing eBook Trends
- Integration of Multimedia Elements
 - Interactive and Gamified eBooks

Honda Outboard Remote Control Workshop Manual Introduction

In the digital age, access to information has become easier than ever before. The ability to download Honda Outboard Remote Control Workshop Manual has revolutionized the way we consume written content. Whether you are a student looking for course material, an avid reader searching for your next favorite book, or a professional seeking research papers, the option to download Honda Outboard Remote Control Workshop Manual has opened up a world of possibilities. Downloading Honda Outboard Remote Control Workshop Manual provides numerous advantages over physical copies of books and documents. Firstly, it is incredibly convenient. Gone are the days of carrying around heavy textbooks or bulky folders filled with papers. With the click of a button, you can gain immediate access to valuable resources on any device. This convenience allows for efficient studying, researching, and reading on the go. Moreover, the cost-effective nature of downloading Honda Outboard Remote Control Workshop Manual has democratized knowledge. Traditional books and academic journals can be expensive, making it difficult for individuals with limited financial resources to access information. By offering free PDF downloads, publishers and authors are enabling a wider audience to benefit from their work. This inclusivity promotes equal opportunities for learning and personal growth. There are numerous websites and platforms where individuals can download Honda Outboard Remote Control Workshop Manual. These websites range from academic databases offering research papers and journals to online libraries with an expansive collection of books from various genres. Many authors and publishers also upload their work to specific websites, granting readers access to their content without any charge. These platforms not only provide access to existing literature but also serve as an excellent platform for undiscovered authors to share their work with the world. However, it is essential to be cautious while downloading Honda Outboard Remote Control Workshop Manual. Some websites may offer pirated or illegally obtained copies of copyrighted material. Engaging in such activities not only violates copyright laws but also undermines the efforts of authors, publishers, and researchers. To ensure ethical downloading, it is advisable to utilize reputable websites that prioritize the legal

distribution of content. When downloading Honda Outboard Remote Control Workshop Manual, users should also consider the potential security risks associated with online platforms. Malicious actors may exploit vulnerabilities in unprotected websites to distribute malware or steal personal information. To protect themselves, individuals should ensure their devices have reliable antivirus software installed and validate the legitimacy of the websites they are downloading from. In conclusion, the ability to download Honda Outboard Remote Control Workshop Manual has transformed the way we access information. With the convenience, cost-effectiveness, and accessibility it offers, free PDF downloads have become a popular choice for students, researchers, and book lovers worldwide. However, it is crucial to engage in ethical downloading practices and prioritize personal security when utilizing online platforms. By doing so, individuals can make the most of the vast array of free PDF resources available and embark on a journey of continuous learning and intellectual growth.

FAQs About Honda Outboard Remote Control Workshop Manual Books

How do I know which eBook platform is the best for me? Finding the best eBook platform depends on your reading preferences and device compatibility. Research different platforms, read user reviews, and explore their features before making a choice. Are free eBooks of good quality? Yes, many reputable platforms offer high-quality free eBooks, including classics and public domain works. However, make sure to verify the source to ensure the eBook credibility. Can I read eBooks without an eReader? Absolutely! Most eBook platforms offer webbased readers or mobile apps that allow you to read eBooks on your computer, tablet, or smartphone. How do I avoid digital eye strain while reading eBooks? To prevent digital eye strain, take regular breaks, adjust the font size and background color, and ensure proper lighting while reading eBooks. What the advantage of interactive eBooks? Interactive eBooks incorporate multimedia elements, quizzes, and activities, enhancing the reader engagement and providing a more immersive learning experience. Honda Outboard Remote Control Workshop Manual is one of the best book in our library for free trial. We provide copy of Honda Outboard Remote Control Workshop Manual in digital format, so the resources that you find are reliable. There are also many Ebooks of related with Honda Outboard Remote Control Workshop Manual. Where to download Honda Outboard Remote Control Workshop Manual online for free? Are you looking for Honda Outboard Remote Control Workshop Manual PDF? This is definitely going to save you time and cash in something you should think about. If you trying to find then search around for online. Without a doubt there are numerous these available and many of them have the freedom. However without doubt you receive whatever you purchase. An alternate way to get ideas is always to check another Honda Outboard Remote Control Workshop Manual. This method for see exactly what may be included and adopt these ideas to your book. This site will almost certainly help you save time and effort, money and stress. If you are looking for free books then you really should consider finding to assist you try

this. Several of Honda Outboard Remote Control Workshop Manual are for sale to free while some are payable. If you arent sure if the books you would like to download works with for usage along with your computer, it is possible to download free trials. The free guides make it easy for someone to free access online library for download books to your device. You can get free download on free trial for lots of books categories. Our library is the biggest of these that have literally hundreds of thousands of different products categories represented. You will also see that there are specific sites catered to different product types or categories, brands or niches related with Honda Outboard Remote Control Workshop Manual. So depending on what exactly you are searching, you will be able to choose e books to suit your own need. Need to access completely for Campbell Biology Seventh Edition book? Access Ebook without any digging. And by having access to our ebook online or by storing it on your computer, you have convenient answers with Honda Outboard Remote Control Workshop Manual To get started finding Honda Outboard Remote Control Workshop Manual, you are right to find our website which has a comprehensive collection of books online. Our library is the biggest of these that have literally hundreds of thousands of different products represented. You will also see that there are specific sites catered to different categories or niches related with Honda Outboard Remote Control Workshop Manual So depending on what exactly you are searching, you will be able to choose ebook to suit your own need. Thank you for reading Honda Outboard Remote Control Workshop Manual. Maybe you have knowledge that, people have search numerous times for their favorite readings like this Honda Outboard Remote Control Workshop Manual, but end up in harmful downloads. Rather than reading a good book with a cup of coffee in the afternoon, instead they juggled with some harmful bugs inside their laptop. Honda Outboard Remote Control Workshop Manual is available in our book collection an online access to it is set as public so you can download it instantly. Our digital library spans in multiple locations, allowing you to get the most less latency time to download any of our books like this one. Merely said, Honda Outboard Remote Control Workshop Manual is universally compatible with any devices to read.

Find Honda Outboard Remote Control Workshop Manual :

[garelli moped repair manual](#)

[garrison fan speed manual](#)

[gary barlow and robbie williams book](#)

[garmin etrex vista manual espanol](#)

[gardner denver auto sentry s manual](#)

[garden weights an original stage play english edition](#)

[gasification of unconventional feedstocks james g speight](#)

[garmin nuvi 2555lmt owners manual](#)

[gardner denver 150 hp compressor service manual](#)

garageband manual 2013

gateway plasma tv manual

[garmin g5000 manual](#)

[gateway repair center phone number](#)

gas stoichiometry practice answer key

[gas turbine lm6000 operation manual](#)

Honda Outboard Remote Control Workshop Manual :

Common SNMP Vulnerability: 9-Step Guide to Protect Your ... Common SNMP Vulnerability: 9-Step Guide to Protect Your ...
SNMPv2 vs. SNMPv3: An SNMP Versions Comparison Table SNMPv1 has very basic security and doesn't include any encryption algorithms. In ... and internet-facing networks to protect against security risks and threats. What are the differences between SNMP v1, v2, and v3? The SNMPv3 architecture introduces the User-based Security Model (USM) for message security and the View-based Access Control Model (VACM) for access control. SNMPv1 vs. V2c vs. V3 - SNMP Versions Comparison Oct 10, 2022 — Because of its improved security, SNMPv3 is better suited for use on public and Internet-facing networks. V2 is best used only on low-risk, ... SNMPv3 with Security and Administration Security Threats and SNMPv3 Protection Verifies the identify of the message's origin by checking the integrity of the data. Thwarts accidental or intentional ... Security surprises with SNMP v3 Jan 3, 2020 — The lack of encryption in SNMP v1 and v2 allow attackers to capture credentials sent by management tools. Attackers can abuse the weak ... SNMP v2 vs v3 - what are the differences? - Blog - Domotz Feb 28, 2022 — With a focus on improving security, SNMP v3 goes the extra mile to address risks such as eavesdropping and tampering. And it does this ... The Benefits of Using SNMPv3 Over SNMPv2 Oct 4, 2023 — SNMPv3 is the most sophisticated and secure version. Although SNMPv2 - especially SNMPv2u - is advanced and offers enhanced security over SNMPv1 ... SNMP Security Best Practices Jan 9, 2023 — SNMPv2 primarily consists of performance enhancements over the older v1 protocol, but from a security perspective SNMPv1 and v2 are identical. SNMP v2 vs v3: Ensuring a Smooth Transition Sep 4, 2023 — The greatest advantage of SNMPv3, by far, is its vastly improved security features. SNMPv2 offered no encryption or authentication. In SNMPv1 ... English 3 unit test review Flashcards Study with Quizlet and memorize flashcards containing terms like Read the excerpt from "The Adventure of the Mysterious Picture." The expression was that of ... English III: Unit Test Review (Review) Flashcards Edgenuity Learn with flashcards, games, and more — for free. edgenuity unit test answers english 3 Discover videos related to edgenuity unit test answers english 3 on TikTok. edgenuity english 3 unit test Discover videos related to edgenuity english 3 unit test on TikTok ... edgenuity english 4

answersedgenuity unit test 4 answershow to unlock a unit test ... English III Unit 2 Test - Online Flashcards by Maxwell ... Learn faster with Brainscape on your web, iPhone, or Android device. Study Maxwell Arceneaux's English III Unit 2 Test flashcards now! Unit Test Edgenuity English - r. Unit test from edgenuity english 3 semester 1 answers We give unit test from edgenuity ... Unit Test Review Answers">Edgenuity English 2 Unit Test Review Answers. Edgenuity english 10 unit test answers sugar changed the world Edgenuity english 10 unit test answers sugar changed the world. With minute preparations, perfect calculations, and even more precise ... Edgenuity English 1 Unit Test Answers Edgenuity English 1 Unit Test Answers. Edgenuity English 1 Unit Test AnswersDownload Free All The Answers For Edgenuity English 1 Test, Semester Test, ... User manual Husqvarna Viking 230 (English - 44 pages) Manual. View the manual for the Husqvarna Viking 230 here, for free. This manual comes under the category sewing machines and has been rated by 7 people ... User manual Husqvarna 230 (English - 44 pages) Manual. View the manual for the Husqvarna 230 here, for free. This manual comes under the category sewing machines and has been rated by 8 people with an ... Husqvarna 230 Manuals We have 1 Husqvarna 230 manual available for free PDF download: Operating Manual. Husqvarna 230 Operating Manual (45 pages). Viking 230 Instruction Manual This instruction manual is the ultimate guide to unlock the full potential of your Viking 230. No more confusion or frustration—just clear, concise instructions ... Manual Husqvarna 230 Sewing Machine Manual for Husqvarna 230 Sewing Machine. View and download the pdf, find answers to frequently asked questions and read feedback from users. Machine Support - HUSQVARNA VIKING® Download manual. Troubleshooting guide. Register your machine. Machine support. Toll free 1.800.446.2333. Monday - Friday: 8:00 am - 4:00 pm CST info@ ... Husqvarna Viking 210 230 250 instruction user manual Husqvarna Viking 210 230 250 sewing machine instruction and user manual, 42 pages. PDF download. Husqvarna Viking 210 230 250 instruction user manual ... HUSQVARNA AUTOMOWER® 230 ACX/220 AC ... Introduction and safety 5. 1.1 Introduction .