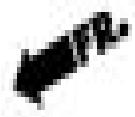
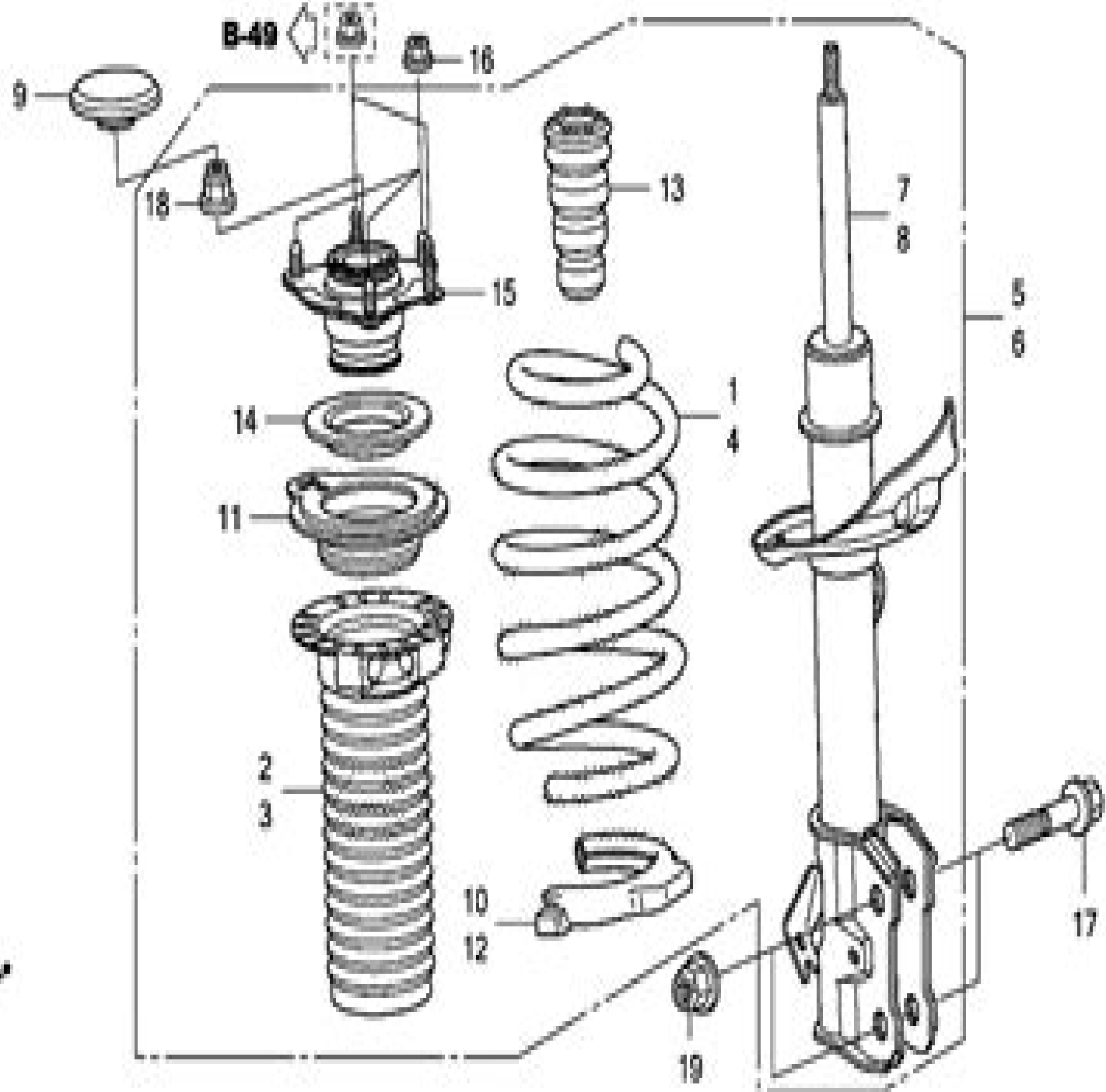


B-49



5WA402800A

Honda Jazz Service Manual Front Shock Absorber

Rose Army



Honda Jazz Service Manual Front Shock Absorber:

Forthcoming Books Rose Army,1988-09 Autocar ,2006 **The Autocar** ,1985 **Motor Cycling and Motoring** ,1984 **Honda Jazz 2002 to 2008 (51 to 08 Reg)** R. M. Jex,Haynes Publishing PLC,2008 Hatchback with 1 2 litre 1246cc 1 4 litre 1339cc petrol engines inc special limited editions Does NOT cover new Jazz range introduced 2008

Honda Civic & CR-V Automotive Repair Manual Jeff Killingsworth,John Harold Haynes,2016 **Honda Civic (12-15) & CR-V (12-16)** Haynes Publishing,2018-05-01 Each Haynes manual provides specific and detailed instructions for performing everything from basic maintenance and troubleshooting to a complete overhaul of the machine in this case theHonda Civic model years 2012 15 and CR V model years 2012 16 3 Do it yourselfers will find this service and repair manual more comprehensive than the factory manual making it an indispensable part of their tool box A typical Haynes manual covers general information troubleshooting lubrication and routine maintenance engine top end engine lower end primary drive clutch and external shift mechanism transmission and internal shift mechanism engine management system electrical system wheels tires and drivebelt front suspension and steering rear suspension brakes body and color wiring diagrams An index makes the manual easy to navigate

Honda Accord Owners Workshop Manual John Harold Haynes,Ian M. Coomber,John Haynes,1989 Haynes disassembles every subject vehicle and documents every step with through instructions and clear photos Haynes repair manuals are used by the pros but written for the do it yourselfer

Honda Accord Owners Workshop Manual John Harold Haynes,I. M. Coomber,1978 *Honda Accord Owners Workshop Manual* John Harold Haynes,Ian Coomber,1984 Honda Service Manual ,1996 **Honda Service Manual, 88-89, 91 VT600C Shadow VLX.** ,1990 *Honda VFR800FI Service and Repair Manual* Mark Coombs,2000 Whether the reader has simple maintenance or a complete engine rebuild in mind he or she can rest assured that there s a Haynes manual for just above every popular domestic and import car truck and motorcycle By conducting complete tear downs and rebuilds the staff at Haynes Publishing has discovered all the problems owners will find when repairing or rebuilding their vehicles By documenting each process with hundreds of illustrations and step by step instructions that show the exact order of assembly Haynes manuals make every step easy to follow Honda Service Manual 88-89 Z50R. ,1988 *Honda Service Manual, 88-89, 91-95 VT600C, CD, Shadow VLX.* ,1994 **Honda Service Manual 97-90, 92 VT1100C.** ,1991 **Honda Service Manual 91-96 ST1100/92-96 ST1100A.** ,1996 Honda Service Manual 89 XL600V. ,1988 *Honda*

Nh50md;nh50ms;nh80md;nh80ms Workshop Manual Workshop Manual. Honda,1982 **Honda Acty English Factory Service Manual** James Danko,2008-11-17 Third Edition Over 230 Pages packed with information This book is for 1989 1997 Honda Acty trucks and Vans Carbureted Version Contents include 1 Specifications Body Schematics Decode your Vehicle Body Engine Transmission 2 Factory Service Data Specifications 3 General Maintenance and Tune Up 4 Engine Cooling System 5 Engine and Engine Overhaul 6 Fuel System Emission Controls 7 Clutch Replacement 8 Drive Axels 9 Steering

Suspension Systems 10 Brake System 11 Starter Alternator Charging System 12 Heating and A C 13 Fuse Relay Much More
Hundreds of Schematics and Diagrams to Help You Troubleshoot and Repair Your Vehicle

Unveiling the Energy of Verbal Art: An Emotional Sojourn through **Honda Jazz Service Manual Front Shock Absorber**

In some sort of inundated with displays and the cacophony of fast communication, the profound energy and mental resonance of verbal artistry usually fade into obscurity, eclipsed by the regular onslaught of sound and distractions. However, located within the musical pages of **Honda Jazz Service Manual Front Shock Absorber**, a interesting work of literary beauty that pulses with raw feelings, lies an wonderful trip waiting to be embarked upon. Written by a virtuoso wordsmith, this exciting opus instructions viewers on a mental odyssey, softly exposing the latent possible and profound influence stuck within the complicated web of language. Within the heart-wrenching expanse with this evocative examination, we shall embark upon an introspective exploration of the book is key styles, dissect its fascinating publishing fashion, and immerse ourselves in the indelible impact it leaves upon the depths of readers souls.

https://staging.conocer.cide.edu/public/scholarship/HomePages/F250_Ford_Ac_Ducts.pdf

Table of Contents Honda Jazz Service Manual Front Shock Absorber

1. Understanding the eBook Honda Jazz Service Manual Front Shock Absorber
 - The Rise of Digital Reading Honda Jazz Service Manual Front Shock Absorber
 - Advantages of eBooks Over Traditional Books
2. Identifying Honda Jazz Service Manual Front Shock Absorber
 - Exploring Different Genres
 - Considering Fiction vs. Non-Fiction
 - Determining Your Reading Goals
3. Choosing the Right eBook Platform
 - Popular eBook Platforms
 - Features to Look for in an Honda Jazz Service Manual Front Shock Absorber
 - User-Friendly Interface
4. Exploring eBook Recommendations from Honda Jazz Service Manual Front Shock Absorber
 - Personalized Recommendations

- Honda Jazz Service Manual Front Shock Absorber User Reviews and Ratings
- Honda Jazz Service Manual Front Shock Absorber and Bestseller Lists
- 5. Accessing Honda Jazz Service Manual Front Shock Absorber Free and Paid eBooks
 - Honda Jazz Service Manual Front Shock Absorber Public Domain eBooks
 - Honda Jazz Service Manual Front Shock Absorber eBook Subscription Services
 - Honda Jazz Service Manual Front Shock Absorber Budget-Friendly Options
- 6. Navigating Honda Jazz Service Manual Front Shock Absorber eBook Formats
 - ePub, PDF, MOBI, and More
 - Honda Jazz Service Manual Front Shock Absorber Compatibility with Devices
 - Honda Jazz Service Manual Front Shock Absorber Enhanced eBook Features
- 7. Enhancing Your Reading Experience
 - Adjustable Fonts and Text Sizes of Honda Jazz Service Manual Front Shock Absorber
 - Highlighting and Note-Taking Honda Jazz Service Manual Front Shock Absorber
 - Interactive Elements Honda Jazz Service Manual Front Shock Absorber
- 8. Staying Engaged with Honda Jazz Service Manual Front Shock Absorber
 - Joining Online Reading Communities
 - Participating in Virtual Book Clubs
 - Following Authors and Publishers Honda Jazz Service Manual Front Shock Absorber
- 9. Balancing eBooks and Physical Books Honda Jazz Service Manual Front Shock Absorber
 - Benefits of a Digital Library
 - Creating a Diverse Reading Collection Honda Jazz Service Manual Front Shock Absorber
- 10. Overcoming Reading Challenges
 - Dealing with Digital Eye Strain
 - Minimizing Distractions
 - Managing Screen Time
- 11. Cultivating a Reading Routine Honda Jazz Service Manual Front Shock Absorber
 - Setting Reading Goals Honda Jazz Service Manual Front Shock Absorber
 - Carving Out Dedicated Reading Time
- 12. Sourcing Reliable Information of Honda Jazz Service Manual Front Shock Absorber
 - Fact-Checking eBook Content of Honda Jazz Service Manual Front Shock Absorber

- Distinguishing Credible Sources
- 13. Promoting Lifelong Learning
 - Utilizing eBooks for Skill Development
 - Exploring Educational eBooks
- 14. Embracing eBook Trends
 - Integration of Multimedia Elements
 - Interactive and Gamified eBooks

Honda Jazz Service Manual Front Shock Absorber Introduction

In the digital age, access to information has become easier than ever before. The ability to download Honda Jazz Service Manual Front Shock Absorber has revolutionized the way we consume written content. Whether you are a student looking for course material, an avid reader searching for your next favorite book, or a professional seeking research papers, the option to download Honda Jazz Service Manual Front Shock Absorber has opened up a world of possibilities. Downloading Honda Jazz Service Manual Front Shock Absorber provides numerous advantages over physical copies of books and documents. Firstly, it is incredibly convenient. Gone are the days of carrying around heavy textbooks or bulky folders filled with papers. With the click of a button, you can gain immediate access to valuable resources on any device. This convenience allows for efficient studying, researching, and reading on the go. Moreover, the cost-effective nature of downloading Honda Jazz Service Manual Front Shock Absorber has democratized knowledge. Traditional books and academic journals can be expensive, making it difficult for individuals with limited financial resources to access information. By offering free PDF downloads, publishers and authors are enabling a wider audience to benefit from their work. This inclusivity promotes equal opportunities for learning and personal growth. There are numerous websites and platforms where individuals can download Honda Jazz Service Manual Front Shock Absorber. These websites range from academic databases offering research papers and journals to online libraries with an expansive collection of books from various genres. Many authors and publishers also upload their work to specific websites, granting readers access to their content without any charge. These platforms not only provide access to existing literature but also serve as an excellent platform for undiscovered authors to share their work with the world. However, it is essential to be cautious while downloading Honda Jazz Service Manual Front Shock Absorber. Some websites may offer pirated or illegally obtained copies of copyrighted material. Engaging in such activities not only violates copyright laws but also undermines the efforts of authors, publishers, and researchers. To ensure ethical downloading, it is advisable to utilize reputable websites that prioritize the legal distribution of content. When downloading Honda Jazz Service Manual Front Shock Absorber, users should also consider the potential security risks associated with online platforms.

Malicious actors may exploit vulnerabilities in unprotected websites to distribute malware or steal personal information. To protect themselves, individuals should ensure their devices have reliable antivirus software installed and validate the legitimacy of the websites they are downloading from. In conclusion, the ability to download Honda Jazz Service Manual Front Shock Absorber has transformed the way we access information. With the convenience, cost-effectiveness, and accessibility it offers, free PDF downloads have become a popular choice for students, researchers, and book lovers worldwide. However, it is crucial to engage in ethical downloading practices and prioritize personal security when utilizing online platforms. By doing so, individuals can make the most of the vast array of free PDF resources available and embark on a journey of continuous learning and intellectual growth.

FAQs About Honda Jazz Service Manual Front Shock Absorber Books

How do I know which eBook platform is the best for me? Finding the best eBook platform depends on your reading preferences and device compatibility. Research different platforms, read user reviews, and explore their features before making a choice. Are free eBooks of good quality? Yes, many reputable platforms offer high-quality free eBooks, including classics and public domain works. However, make sure to verify the source to ensure the eBook credibility. Can I read eBooks without an eReader? Absolutely! Most eBook platforms offer webbased readers or mobile apps that allow you to read eBooks on your computer, tablet, or smartphone. How do I avoid digital eye strain while reading eBooks? To prevent digital eye strain, take regular breaks, adjust the font size and background color, and ensure proper lighting while reading eBooks. What the advantage of interactive eBooks? Interactive eBooks incorporate multimedia elements, quizzes, and activities, enhancing the reader engagement and providing a more immersive learning experience. Honda Jazz Service Manual Front Shock Absorber is one of the best book in our library for free trial. We provide copy of Honda Jazz Service Manual Front Shock Absorber in digital format, so the resources that you find are reliable. There are also many Ebooks of related with Honda Jazz Service Manual Front Shock Absorber. Where to download Honda Jazz Service Manual Front Shock Absorber online for free? Are you looking for Honda Jazz Service Manual Front Shock Absorber PDF? This is definitely going to save you time and cash in something you should think about. If you trying to find then search around for online. Without a doubt there are numerous these available and many of them have the freedom. However without doubt you receive whatever you purchase. An alternate way to get ideas is always to check another Honda Jazz Service Manual Front Shock Absorber. This method for see exactly what may be included and adopt these ideas to your book. This site will almost certainly help you save time and effort, money and stress. If you are looking for free books then you really should consider finding to assist you try this. Several of Honda Jazz Service Manual Front Shock Absorber are for sale to free while some are payable. If you arent

sure if the books you would like to download works with for usage along with your computer, it is possible to download free trials. The free guides make it easy for someone to free access online library for download books to your device. You can get free download on free trial for lots of books categories. Our library is the biggest of these that have literally hundreds of thousands of different products categories represented. You will also see that there are specific sites catered to different product types or categories, brands or niches related with Honda Jazz Service Manual Front Shock Absorber. So depending on what exactly you are searching, you will be able to choose e books to suit your own need. Need to access completely for Campbell Biology Seventh Edition book? Access Ebook without any digging. And by having access to our ebook online or by storing it on your computer, you have convenient answers with Honda Jazz Service Manual Front Shock Absorber To get started finding Honda Jazz Service Manual Front Shock Absorber, you are right to find our website which has a comprehensive collection of books online. Our library is the biggest of these that have literally hundreds of thousands of different products represented. You will also see that there are specific sites catered to different categories or niches related with Honda Jazz Service Manual Front Shock Absorber So depending on what exactly you are searching, you will be able to choose ebook to suit your own need. Thank you for reading Honda Jazz Service Manual Front Shock Absorber. Maybe you have knowledge that, people have search numerous times for their favorite readings like this Honda Jazz Service Manual Front Shock Absorber, but end up in harmful downloads. Rather than reading a good book with a cup of coffee in the afternoon, instead they juggled with some harmful bugs inside their laptop. Honda Jazz Service Manual Front Shock Absorber is available in our book collection an online access to it is set as public so you can download it instantly. Our digital library spans in multiple locations, allowing you to get the most less latency time to download any of our books like this one. Merely said, Honda Jazz Service Manual Front Shock Absorber is universally compatible with any devices to read.

Find Honda Jazz Service Manual Front Shock Absorber :

[f250 ford ac ducts](#)

[f150 fuse box diagram 1997](#)

[f214 june 2013 paper](#)

[ez go textron charger manual](#)

exploring similar figures worksheet answers 2014 book

expose the billionaires rules book english edition

[exquisite corpse english edition](#)

[exponential functions test edgenuity](#)

[ez go st 4x4 parts manual](#)

[extended english bgcse](#)

f e works english edition

[extension door guide](#)

[ezgo golf cart service manual for txtg](#)

[ezgo total charge iii manual](#)

[ezgo gas golf cart manual](#)

Honda Jazz Service Manual Front Shock Absorber :

brant and helms fundamentals of diagnostic radiology edition 5 - Jan 07 2023

web apr 15 2012 brant and helms fundamentals of diagnostic radiology 269 99 81 only 6 left in stock more on the way this fully revised edition of fundamentals of

brant and helms fundamentals of diagnostic radiology 5th - Jul 01 2022

web brant and helms fundamentals of diagnostic radiology authors jeffrey s klein editor william e brant editor clyde a helms editor emily n vinson editor summary

fundamentals of diagnostic radiology brant fundamentals of - Feb 25 2022

web buy brant and helms fundamentals of diagnostic radiology 5ed hb 2019 book online at low prices in india brant and helms fundamentals of

brant and helms fundamentals of diagnostic radiology - Jun 12 2023

web selected as a doody s core title for 2023 trusted by radiology residents interns and students for more than 20 years brant and helms fundamentals of diagnostic

brant and helms fundamentals of diagnostic radiology - Mar 09 2023

web nov 13 2012 william e brant clyde helms lippincott williams wilkins nov 13 2012 medical 1472 pages this fully revised edition of fundamentals of diagnostic

[brant and helms fundamentals of diagnostic radiology edition 5](#) - Aug 02 2022

web apr 22 2022 brant and helms fundamentals of diagnostic radiology 5th edition pdf free download april 22 2022by dr medicalstudyzone com1 comment in this blog

fundamentals of diagnostic radiology william e brant clyde - Feb 08 2023

web brant and helms fundamentals of diagnostic radiology edition 5 ebook written by jeffrey klein jennifer pohl emily n vinson william e brant clyde a helms read

brant and helms fundamentals of diagnostic radiol - Nov 24 2021

web apr 14 2020 summary of brant and helms fundamentals of diagnostic radiology page 1 page 2 section editors page 3 section i basic principles william

[brant and helms fundamentals of diagnostic radiol copy](#) - Dec 26 2021

web brant and helms fundamentals of diagnostic radiol this is likewise one of the factors by obtaining the soft documents of this brant and helms fundamentals of diagnostic

brant and helms fundamentals of diagnostic radiology pdf - Aug 14 2023

web apr 14 2020 brant and helms fundamentals of diagnostic radiology free pdf download clyde a helms md 4 771 pages year 2018 university of california

[fundamentals of diagnostic radiology brant](#) - Dec 06 2022

web jul 19 2018 trusted by radiology residents interns and students for more than 20 years brant and helms fundamentals of diagnostic radiology 5th edition delivers

brant and helms fundamentals of diagnostic radiology - Apr 29 2022

web brant and helms fundamentals of diagnostic radiology 5th edition is written by jeffrey klein jennifer pohl emily n vinson william e brant clyde a helms and published

[brant and helms fundamentals of diagnostic](#) - Jan 27 2022

web interns and students for more than 20 years brant and helms fundamentals of diagnostic radiology 5th edition delivers essential information on current imaging

brant and helms fundamentals of diagnostic radiology - May 31 2022

web trusted by radiology residents interns and students for more than 20 years brant and helms fundamentals of diagnostic radiology 5th edition delivers essential

[brant and helms fundamentals of diagnostic radiology fifth edition](#) - Oct 04 2022

web may 10 2018 trusted by radiology residents interns and students for more than 20 years brant and helms fundamentals of diagnostic radiology 5th edition delivers

brant and helms fundamentals of diagnostic radiology pdf - Oct 24 2021

brant and helms fundamentals of diagnostic radiology - May 11 2023

web the brant and helms solution gives you a complete print and multimedia package consisting of the textbook fundamentals of diagnostic radiology third edition plus

[brant and helms fundamentals of diagnostic radiology lww](#) - Jul 13 2023

web trusted by radiology residents interns and students for more than 20 years brant and helms fundamentals of diagnostic

radiology 5th edition delivers essential

brant and helms fundamentals of diagnostic radiology - Mar 29 2022

web jun 15 2006 in stock the brant and helms solution gives you a complete print and multimedia package consisting of the textbook fundamentals of diagnostic radiology

fundamentals of diagnostic radiology google books - Apr 10 2023

web oct 1 2018 buy brant and helms fundamentals of diagnostic radiology by jeffrey klein md facr jennifer pohl emily n vinson william e brant clyde a helms

brant and helms fundamentals of diagnostic radiology - Nov 05 2022

web brant and helms fundamentals of diagnostic radiology fifth edition klein brant helms vinson review info review publisher wolters kluwer isbn 978 1 4963

brant and helms fundamentals of diagnostic radiology - Sep 03 2022

web oct 17 2018 overview trusted by radiology residents interns and students for more than 20 years brant and helms fundamentals of diagnostic radiology 5th edition

kurz vor dem gewitter gedichte by michael krüger - Oct 19 2023

web kurz vor dem gewitter gedichte by michael krüger ge deggerich über michael krüger am erker 46 dezember gewitterabend eine schilderung bunte bücherwelten das stumme

michael krüger kurz vor dem gewitter gedichte - Aug 17 2023

web aug 18 2003 lyrik einzelner dichter lyrik anthologien verschiedene dichter michael krüger kurz vor dem gewitter gedichte das hotel ist geschlossen ich bin der letzte

kurz vor dem gewitter gedichte evt jyrankola - Feb 28 2022

web kurz vor dem gewitter gedichte 3 3 literaturgeschichte reichte ursprünglich von 1945 bis zur deutschen einheit 1989 1990 für die neuauflage wurde sie von den autoren um

kurz vor dem gewitter gedichte krüger michael eurobuch - Apr 13 2023

web kurz vor dem gewitter gedichte 3 3 bis günter grass martin walser uwe tellkamp herta müller und ursula krechel alle namhaften schriftsteller sind erfasst die

kurz vor dem gewitter gedichte ai classmonitor - Sep 06 2022

web zum michael krüger kurz vor dem gewitter gedichte deutsche gedichte german poems der kleine frosch gedichte geschichten umstellung der zeit gedichte book 2013

kurz vor dem gewitter gedichte files climagic - Mar 12 2023

web kurz vor dem gewitter gedichte 3 3 deutschen literatur dieses zeitraums sondern auch die aktuellste die großen

abschnitte des bandes sind grundsätzlich gleich aufgebaut

kurz vor dem gewitter gedichte pdf proposal revlocal - Jan 30 2022

web nach kurz vor dem gewitter 2003 unter freiem himmel 2007 und ins reine 2010 erscheint rechtzeitig zum siebzigsten geburtstag michael krügers der neue

kurz vor dem gewitter gedichte von michael krüger medimops - Dec 09 2022

web akademie der wissenschaften und kurz vor dem gewitter gedichte de krüger kurz vor dem gewitter michael krä ger 9783518414569 gewitterabend eine schilderung bunte

kurz vor dem gewitter gedichte old syndeohro - Dec 29 2021

web andererseits ist von jedem einzelkapitel aus der einstieg möglich kurz vor dem gewitter walter de gruyter over the past decade and a half germany has experienced a period

kurz vor dem gewitter buch von michael krüger suhrkamp verlag - Jul 16 2023

web kurz vor dem gewitter gedichte krüger michael isbn 9783518414569 kostenloser versand für alle bücher mit versand und verkauf duch amazon

kurz vor dem gewitter gedichte by michael krüger - Jul 04 2022

web gedichte kurze amp lange gedichte lustige amp zum kurz vor dem gewitter von michael krüger portofrei bei geschichte der malerei michael krüger das stumme reich der

kurz vor dem gewitter gedichte by michael krüger - Oct 07 2022

web deutscher gedichte kunst ja kunst kurz vor dem gewitterder ewige brunnen der liebe in der deutschsprachigen gegenwartsliteratur lässt sich ein signifikanter trend

kurz vor dem gewitter gedichte tpc redmatters - Apr 01 2022

web kurz vor dem gewitter gedichte 3 3 tendenz zur selbstdestruktion und die gefahr der ideologischen überformung des propheten zum leeren medium vor diesem

kurz vor dem gewitter gedichte by michael krüger - Nov 08 2022

web gedichte read online at kurz vor dem gewitter von michael krüger portofrei bei regenbogen sprüche gedichte kurze zitate schöne texte kurzgeschichte für kinder das

gewitter gedichte das poetische stacheltier - Sep 18 2023

web dec 9 2003 krügers taktik bestehe darin gegen die unbilden der welt eine intellektuelle bastion der schönheit zu errichten die spannungen die krüger beschreibt finden sich

zbigniew herbert gewitter epilog gedichte - Jan 10 2023

web das hotel ist geschlossen ich bin der letzte gast manchmal kommen noch vögel vorbei man hört wie sie leise über die

dachpfannen staken meine abreise verschiebt sich

[kurz vor dem gewitter gedichte pdf database grovemade](#) - Feb 11 2023

web der krieg ist noch nicht aus hatten sie in den letzten tagen keine zeit die zeitung zu lesen oder bei uns vorbeizuschauen macht gewitter epilog gedichte suhrkamp

[kurz vor dem gewitter gedichte copy preview questtrustcompany](#) - Nov 27 2021

[kurz vor dem gewitter gedichte by michael krüger](#) - Aug 05 2022

web broekhuis kurz vor dem gewitter krüger michael michael krüger autoren hanser literaturverlage berühmte gedichte lyrikmond dr h c michael krüger akademie der

[kurz vor dem gewitter gedichte by michael krüger](#) - Jun 03 2022

web der ewige brunnen der liebe rodopi die deutschen gedichte in einem band laden zum wiederlesen und entdecken ein von den ältesten bis zu den jüngsten gedichten vom 9

[kurz vor dem gewitter gedichte 2022 ws 1 ps2pdf](#) - May 02 2022

web die deutschen gedichte in einem band laden zum wiederlesen und entdecken ein von den ältesten bis zu den jüngsten gedichten vom 9 bis zum 21 jahrhundert von den

[kurz vor dem gewitter gedichte amazon de](#) - Jun 15 2023

web title kurz vor dem gewitter gedichte publisher frankfurt am main suhrkamp verlag 2003 binding hardcover dust jacket condition dust jacket included edition 1st edition

[kurz vor dem gewitter gedichte abebooks](#) - May 14 2023

web kurz vor dem gewitter gedichte finden sie alle bücher von krüger michael bei der büchersuchmaschine eurobuch com können sie antiquarische und neubücher

[half chicken blended learning steam academies home](#) - May 01 2022

web 2 3c establish purpose monitor comprehension 41 employ s to demonstrate comprehension teks comprehension cause and effect target skill in half chicken some events cause other events to happen the first event is the cause the second event is the effect use a chart like this one as you read to list some causes and

[half chicken comprehension flashcards quizlet](#) - May 13 2023

web what did everyone call this chicken with one leg one wing one eye and half feathers half chicken what did the chicken feel after getting all the attention from the other animals

[lesson 24 half chicken comprehension questions flashcards](#) - Feb 10 2023

web do all of the activities before doing the test learn with flashcards games and more for free

2nd grade lesson 24 half chicken reading comprehension - Apr 12 2023

web had one wing one leg one eye and half feathers what was special about chick 13 the last chick to hatch half chicken what did everyone call this chicken with one leg one wing one eye and half feathers vane what did the chicken feel after getting all the attention from the other animals mexico city

lesson 24 half chicken comprehension english quizizz - Sep 05 2022

web create an instructor led experience where slides and multimedia are combined with quiz and poll questions

results for half chicken vocabulary tpt - Dec 28 2021

web unit 5 lesson 24 this half chicken vocabulary and comprehension test is more comprehensive than the one included with journeys there is a question for each vocabulary word in one of 3 formats matching fill in the blank or create a sentence the comprehension portions covers the skill of cause and effect 3 questions focus

lesson 24 half chicken comprehension 62 plays quizizz - Aug 16 2023

web lesson 24 half chicken comprehension quiz for 2nd grade students find other quizzes for english and more on quizizz for free

half chicken reading comprehension quiz quizizz - Mar 31 2022

web play this game to review english why do stream fire and wind help half chicken escape from the cook

half chicken comprehension english quiz quizizz - Jan 09 2023

web this quiz is incomplete to play this quiz please finish editing it preview 10 questions show answers question 1

half chicken comprehension test worksheets teaching - Nov 07 2022

web these review questions for half chicken are great for summative assessment questions ticket out the doors small group and centers or test prep reviewing the questions include review for comprehension phonics grammar and vocabulary skills

half chicken teaching resources tpt - Jun 02 2022

web i also have included a vocabulary definition match making words center and abc order with vocabulary and comprehension questions also a few printables to go with the story included are 7 literacy centers worksheets prefixes re un o

half chicken comprehension check english quizizz - Jul 03 2022

web create an instructor led experience where slides and multimedia are combined with quiz and poll questions

results for half chicken comprehension tpt - Aug 04 2022

web this file contains comprehension question worksheets for each of the stories in unit 5 grade 2 of the journey s reading series the five stories are 1 penguin chick 2 gloria who might be my best friend 3 the goat in the rug 4 half chicken 5 from seed to plant each worksheet contains at least 10 comprehension questions students can

half chicken comprehension questions flashcards quizlet - Jun 14 2023

web study with quizlet and memorize flashcards containing terms like what problem does the mother hen have at the beginning of the story all the ranch animals gather around the mother hen because what makes half chicken become very vain and more

journeys l24 half chicken comprehension image quiz wordwall - Dec 08 2022

web language 1 what is mother hen s problem at the beginning of the story a she is feeling sick b the other animals are mean to the chick c her chicks keep running around d she hurt her wing 2 what is different about the 13th chick

half chicken comprehension questions mrs galaviz - Jul 15 2023

web half chicken comprehension questions p 316 what does the illustration on this page show why do you think the author and illustrator chose to show a weather vane p 317 what is the hen worried about what does this show you about her p 318 what is surprising about the thirteenth chick as it hatches from the egg

half chicken vocabulary comprehension test journeys tpt - Feb 27 2022

web description unit 5 lesson 24 this half chicken vocabulary and comprehension test is more comprehensive than the one included with journeys there is a question for each vocabulary word in one of 3 formats matching fill in the blank or create a sentence

half chicken comprehension flashcards quizlet - Mar 11 2023

web half chicken comprehension flashcards quizlet study with quizlet and memorize flashcards containing terms like what is the setting of the story at the start how many chicks did the hen have what was special about

half chicken comprehension questions teacher worksheets - Jan 29 2022

web half chicken comprehension questions worksheets there are 8 printable worksheets for this topic worksheets are lesson test selection comprehension

half chicken teaching resources wordwall - Oct 06 2022

web 2956 results for half chicken half chicken vocabulary missing word by ggill l24 half chicken match up by dinogrrrrl g2 l24 hfws half chicken random cards by darlasinger journeys l24 half chicken phonics airplane by missyun g2 journeys l24 half chicken comprehension image quiz by missyun g2