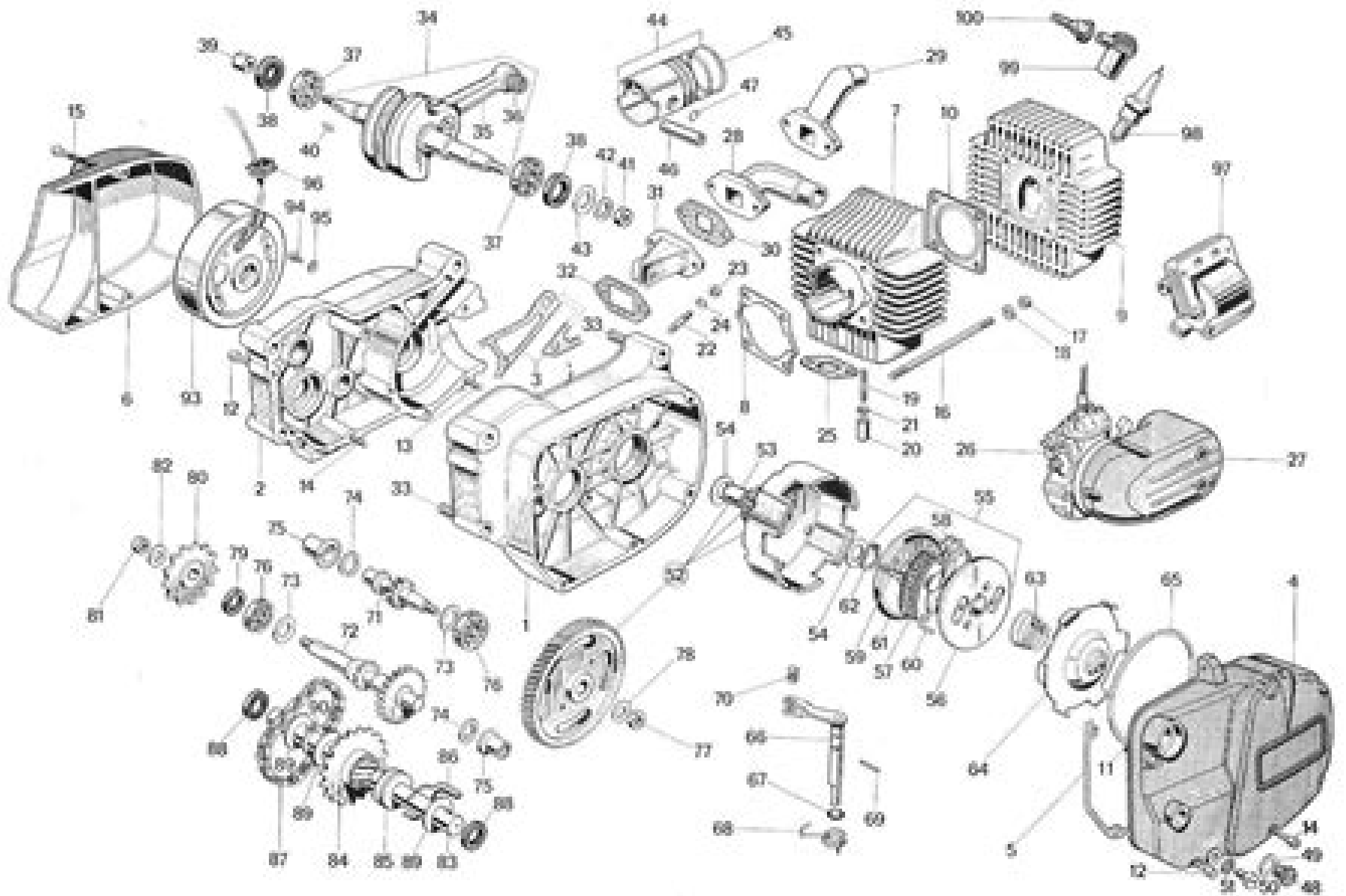


MORINI FRANCO MOTORI S.p.A.



Esploso Morini Ah5

Michael Rajnik



Esploso Morini Ah5:

This is likewise one of the factors by obtaining the soft documents of this **Esploso Morini Ah5** by online. You might not require more become old to spend to go to the books start as with ease as search for them. In some cases, you likewise reach not discover the notice Esploso Morini Ah5 that you are looking for. It will entirely squander the time.

However below, as soon as you visit this web page, it will be consequently no question easy to get as skillfully as download lead Esploso Morini Ah5

It will not bow to many epoch as we notify before. You can accomplish it even if measure something else at house and even in your workplace. fittingly easy! So, are you question? Just exercise just what we present below as with ease as review **Esploso Morini Ah5** what you following to read!

https://staging.conocer.cide.edu/files/detail/index.jsp/mpc_f1975w_monitors_owners_manual.pdf

Table of Contents Esploso Morini Ah5

1. Understanding the eBook Esploso Morini Ah5
 - The Rise of Digital Reading Esploso Morini Ah5
 - Advantages of eBooks Over Traditional Books
2. Identifying Esploso Morini Ah5
 - Exploring Different Genres
 - Considering Fiction vs. Non-Fiction
 - Determining Your Reading Goals
3. Choosing the Right eBook Platform
 - Popular eBook Platforms
 - Features to Look for in an Esploso Morini Ah5
 - User-Friendly Interface
4. Exploring eBook Recommendations from Esploso Morini Ah5
 - Personalized Recommendations

- Esploso Morini Ah5 User Reviews and Ratings
- Esploso Morini Ah5 and Bestseller Lists
- 5. Accessing Esploso Morini Ah5 Free and Paid eBooks
 - Esploso Morini Ah5 Public Domain eBooks
 - Esploso Morini Ah5 eBook Subscription Services
 - Esploso Morini Ah5 Budget-Friendly Options
- 6. Navigating Esploso Morini Ah5 eBook Formats
 - ePub, PDF, MOBI, and More
 - Esploso Morini Ah5 Compatibility with Devices
 - Esploso Morini Ah5 Enhanced eBook Features
- 7. Enhancing Your Reading Experience
 - Adjustable Fonts and Text Sizes of Esploso Morini Ah5
 - Highlighting and Note-Taking Esploso Morini Ah5
 - Interactive Elements Esploso Morini Ah5
- 8. Staying Engaged with Esploso Morini Ah5
 - Joining Online Reading Communities
 - Participating in Virtual Book Clubs
 - Following Authors and Publishers Esploso Morini Ah5
- 9. Balancing eBooks and Physical Books Esploso Morini Ah5
 - Benefits of a Digital Library
 - Creating a Diverse Reading Collection Esploso Morini Ah5
- 10. Overcoming Reading Challenges
 - Dealing with Digital Eye Strain
 - Minimizing Distractions
 - Managing Screen Time
- 11. Cultivating a Reading Routine Esploso Morini Ah5
 - Setting Reading Goals Esploso Morini Ah5
 - Carving Out Dedicated Reading Time
- 12. Sourcing Reliable Information of Esploso Morini Ah5
 - Fact-Checking eBook Content of Esploso Morini Ah5

- Distinguishing Credible Sources
13. Promoting Lifelong Learning
- Utilizing eBooks for Skill Development
 - Exploring Educational eBooks
14. Embracing eBook Trends
- Integration of Multimedia Elements
 - Interactive and Gamified eBooks

Esploso Morini Ah5 Introduction

In this digital age, the convenience of accessing information at our fingertips has become a necessity. Whether its research papers, eBooks, or user manuals, PDF files have become the preferred format for sharing and reading documents. However, the cost associated with purchasing PDF files can sometimes be a barrier for many individuals and organizations. Thankfully, there are numerous websites and platforms that allow users to download free PDF files legally. In this article, we will explore some of the best platforms to download free PDFs. One of the most popular platforms to download free PDF files is Project Gutenberg. This online library offers over 60,000 free eBooks that are in the public domain. From classic literature to historical documents, Project Gutenberg provides a wide range of PDF files that can be downloaded and enjoyed on various devices. The website is user-friendly and allows users to search for specific titles or browse through different categories. Another reliable platform for downloading Esploso Morini Ah5 free PDF files is Open Library. With its vast collection of over 1 million eBooks, Open Library has something for every reader. The website offers a seamless experience by providing options to borrow or download PDF files. Users simply need to create a free account to access this treasure trove of knowledge. Open Library also allows users to contribute by uploading and sharing their own PDF files, making it a collaborative platform for book enthusiasts. For those interested in academic resources, there are websites dedicated to providing free PDFs of research papers and scientific articles. One such website is Academia.edu, which allows researchers and scholars to share their work with a global audience. Users can download PDF files of research papers, theses, and dissertations covering a wide range of subjects. Academia.edu also provides a platform for discussions and networking within the academic community. When it comes to downloading Esploso Morini Ah5 free PDF files of magazines, brochures, and catalogs, Issuu is a popular choice. This digital publishing platform hosts a vast collection of publications from around the world. Users can search for specific titles or explore various categories and genres. Issuu offers a seamless reading experience with its user-friendly interface and allows users to download PDF files for offline reading. Apart from dedicated platforms, search engines also play a crucial role in finding free PDF files. Google, for instance, has an advanced search

feature that allows users to filter results by file type. By specifying the file type as "PDF," users can find websites that offer free PDF downloads on a specific topic. While downloading Esploso Morini Ah5 free PDF files is convenient, it's important to note that copyright laws must be respected. Always ensure that the PDF files you download are legally available for free. Many authors and publishers voluntarily provide free PDF versions of their work, but it's essential to be cautious and verify the authenticity of the source before downloading Esploso Morini Ah5. In conclusion, the internet offers numerous platforms and websites that allow users to download free PDF files legally. Whether it's classic literature, research papers, or magazines, there is something for everyone. The platforms mentioned in this article, such as Project Gutenberg, Open Library, Academia.edu, and Issuu, provide access to a vast collection of PDF files. However, users should always be cautious and verify the legality of the source before downloading Esploso Morini Ah5 any PDF files. With these platforms, the world of PDF downloads is just a click away.

FAQs About Esploso Morini Ah5 Books

How do I know which eBook platform is the best for me? Finding the best eBook platform depends on your reading preferences and device compatibility. Research different platforms, read user reviews, and explore their features before making a choice. Are free eBooks of good quality? Yes, many reputable platforms offer high-quality free eBooks, including classics and public domain works. However, make sure to verify the source to ensure the eBook's credibility. Can I read eBooks without an eReader? Absolutely! Most eBook platforms offer web-based readers or mobile apps that allow you to read eBooks on your computer, tablet, or smartphone. How do I avoid digital eye strain while reading eBooks? To prevent digital eye strain, take regular breaks, adjust the font size and background color, and ensure proper lighting while reading eBooks. What's the advantage of interactive eBooks? Interactive eBooks incorporate multimedia elements, quizzes, and activities, enhancing the reader's engagement and providing a more immersive learning experience. Esploso Morini Ah5 is one of the best books in our library for free trial. We provide a copy of Esploso Morini Ah5 in digital format, so the resources that you find are reliable. There are also many eBooks related to Esploso Morini Ah5. Where to download Esploso Morini Ah5 online for free? Are you looking for Esploso Morini Ah5 PDF? This is definitely going to save you time and cash in something you should think about.

Find Esploso Morini Ah5 :

mpc f1975w monitors owners manual

[mountfield mower repair manual](#)
[mpumalanga physical sciences gradepaper2 2013 memo](#)
[motrec e300 manual](#)
[motorola w408g cell phones accessory owners manual](#)
[mrp f30wiring guide](#)
[moulinex optipro user guide](#)
[mountain creek harley davidson motorcycles](#)
mouthful of forever
[mpsc preliminary exam books](#)
ms access hide report section
movado 260044 watches owners manual
moumlglicheiten eine flasche zu oumlffnen german edition
[movado 605916 watches owners manual](#)
mounted by a monster boxed set volume 6

Esploso Morini Ah5 :

la segunda guerra púnica tomo i libros xxi xxv el libro de - Jul 14 2023
 web la segunda guerra púnica tomo i libros xxi xxv el libro de bolsillo bibliotecas temáticas biblioteca de clásicos de grecia y roma de tito livio tito en iberlibro com isbn 10 8420649619 isbn 13 9788420649610 alianza 2009 tapa blanda
la segunda guerra punica tomo i libros xxi xxv 1 pdf - Jun 01 2022
 web jun 12 2023 la segunda guerra punica tomo i libros xxi xxv 1 1 11 downloaded from uniport edu ng on june 12 2023 by guest la segunda guerra punica tomo i libros xxi xxv 1 recognizing the artifice ways to acquire this book la segunda guerra punica tomo i libros xxi xxv 1 is additionally useful you have remained in right site
la segunda guerra punica the second punic war libros xxi xxv tomo - Mar 30 2022
 web jul 10 2023 la segunda guerra punica the second punic war libros xxi xxv tomo i libros xxi xxv 1 by tito livio el ejército cartaginés en iberia durante la segunda guerra las armas del ejército romano durante la segunda guerra la estrategia militar durante la segunda guerra púnica en second punic war batallas de la segunda guerra púnica
la segunda guerra punica tomo i libros xxi xxv 1 juan ginés - May 12 2023
 web 1 la segunda guerra punica tomo i libros xxi xxv 1 when somebody should go to the ebook stores search commencement by shop shelf by shelf it is in reality problematic this is why we allow the ebook compilations in this website it will agreed

ease you to see guide la segunda guerra punica tomo i libros xxi xxv 1 as you such as

la segunda guerra punica tomo i libros xxi xxv 1 pdf old cosmc - Oct 05 2022

web la segunda guerra punica tomo i libros xxi xxv 1 3 pudiera ocurrir en la formación y en el combate tampoco fueron menos estrictos al castigar la desidia y la pereza el valor de un soldado se enaltece con el conocimiento de su profesión y sólo desea una oportunidad para ejecutar aquello que él está convencido de haber aprendido

9788420649610 la segunda guerra púnica tomo i libros xxi xxv - Apr 11 2023

web la segunda guerra púnica i y ii de tito livio y una gran selección de libros arte y artículos de colección disponible en iberlibro com 9788420649610 la segunda guerra púnica tomo i libros xxi xxv el libro de bolsillo bibliotecas temáticas biblioteca de clásicos de grecia y roma de tito livio tito iberlibro

la segunda guerra púnica tomo i libros xxi xxv spanish edition - Nov 06 2022

web feb 9 2009 amazon com la segunda guerra púnica tomo i libros xxi xxv spanish edition 9788420649610 tito livio tito fernández valverde juan ramírez de verger antonio books

la segunda guerra punica tomo i libros xxi xxv 1 pdf juan - Apr 30 2022

web 1 la segunda guerra punica tomo i libros xxi xxv 1 pdf if you ally obsession such a referred la segunda guerra punica tomo i libros xxi xxv 1 pdf book that will find the money for you worth get the enormously best seller from us currently from several preferred authors if you desire to hilarious books lots of novels tale jokes and more

la segunda guerra punica tomo i libros xxi xxv librotea - Dec 07 2022

web el historiador tito livio 59 a c 17 d c compendió la

la segunda guerra punica tomo i libros xxi xxv - Jan 08 2023

web feb 8 2009 la segunda guerra punica tomo i libros xxi xxv tito livio comprar 16 62 5 de descuento sinopsis el historiador tito livio 59 a c 17 d c compendió la historia de roma

la segunda guerra punica the second punic war libros xxi xxv tomo - Jul 02 2022

web la segunda guerra punica the second punic war libros xxi xxv tomo i libros xxi xxv 1 by tito livio archivo second punic war battles es svg la segunda guerra púnica augusto rodríguez de la rúa la seconda guerra punica 218 202 a c studia rapido the second punic war a reappraisal

la segunda guerra púnica tomo i libros xxi xxv spanish - Mar 10 2023

web abebooks com la segunda guerra púnica tomo i libros xxi xxv spanish edition 9788420649610 by tito livio tito and a great selection of similar new used and collectible books available now at great prices

libro la segunda guerra punica tomo ii libros xxvi xxx - Jan 28 2022

web descarga libro la segunda guerra punica tomo ii libros xxvi xxx online gratis pdf el historiador tito livio 59 a c 17 d c

compendió la historia de roma desde su legendaria fundación hasta los sucesos de sus propios días en una monumental obra compuesta por 142 volúmenes que nos ha

la segunda guerra púnica tomo i libros xxi xxv el libro de - Aug 15 2023

web la segunda guerra púnica tomo i libros xxi xxv el libro de bolsillo bibliotecas temáticas biblioteca de clásicos de grecia y roma tito livio tito fernández valverde juan ramírez de verger antonio amazon es libros

la segunda guerra punica the second punic war libros xxi xxv tomo - Aug 03 2022

web la segunda guerra punica the second punic war libros xxi xxv tomo i libros xxi xxv 1 by tito livio púnica en iberia bandua wargames baecula an archaeological analysis of the location of a el historiador tito livio 59 a c 17 d c compendió la historia de roma desde su legendaria fundación hasta los sucesos de sus

la segunda guerra punica the second punic war libros xxi xxv tomo - Sep 04 2022

web jun 7 2023 la segunda guerra punica the second punic war libros xxi xxv tomo i libros xxi xxv 1 by tito livio la segunda guerra púnica tomo i libros xxi xxv el libro de bolsillo bibliotecas temáticas biblioteca de clásicos de grecia y roma spanish edition 9788420649610 t media in category battles of the second punic war the following 20

la segunda guerra punica tomo i libros xxi xxv 1 download - Dec 27 2021

web ta sí han sobrevivido a los siglos los libros xxi al xxx correspondientes a la segunda guerra púnica que de scriben la época crucial en la que roma y cartago se disputaron la hegemonía en el mundo occidental y en la que sucedieron acontecimientos tan destaca dos como el asedio de sagunto o el paso de los alpes traducidos

la segunda guerra punica tomo i libros xxi xxv - Jun 13 2023

web sinopsis de la segunda guerra punica tomo i libros xxi xxv el historiador tito livio 59 a c 17 d c compendió la historia de roma desde su legendaria fundación hasta los sucesos de sus propios días en una monumental obra compuesta por 142 volúmenes que nos ha llegado incompleta

*la segunda guerra punica tomo i libros xxi xxv 1 pdf*juan de - Feb 26 2022

web jul 13 2023 capably as evaluation la segunda guerra punica tomo i libros xxi xxv 1 pdf what you with to read gadir y los fenicios occidentales federados v iii ac juan carlos domínguez p érez 2006 gadir now the capital of the province of cadiz was founded by the phoenicians possibly as early as the 10th or 9th century bc

la segunda guerra punica the second punic war libros xxi xxv tomo - Feb 09 2023

web la segunda guerra punica the second punic war libros xxi xxv tomo i libros xxi xxv 1 di livio tito su abebooks it isbn 10 8420649619 isbn 13 9788420649610 alianza editorial sa 2009 brossura

mathematical statistics with applications 7th edition solutions - May 31 2022

web aug 28 2013 richard j larsen morris l marx pearson education aug 28 2013

pdf epub a solution manual for an introduction to - Jan 07 2023

web second edition of mathematical statistics with resampling and r presents a revised

student solutions manual for introduction to - Jul 13 2023

web step by step video answers explanations by expert educators for all an introduction to

introduction to mathematical statistics and its - Apr 29 2022

web richard j larsen morris l marx pearson prentice hall 2006 distribution probability

introduction to mathematical statistics and its applications an - Mar 29 2022

web discover and share books you love on goodreads

introduction to mathematical statistics and its applications - Nov 24 2021

solutions for an introduction to mathematical statistics and its - Jun 12 2023

web student solutions manual an introduction to mathematical statistics and its

student solutions manual an introduction to mathematical - Jan 27 2022

solutions mathematical statistics with applications larsen - Nov 05 2022

web new search mathematical statistics with applications 7th edition solutions author

an introduction to mathematical statistics and its applications - Sep 03 2022

web jul 21 2022 an introduction to mathematical statistics and its applications by

mathematical statistics and its applications solutions richard - Oct 04 2022

web jul 14 2021 instant access isbn 13 9780137549375 introduction to mathematical

instructor solutions manual for introduction to - Mar 09 2023

web mathematical statistics with applications in r kandethody m ramachandran 2020

introduction to mathematical statistics and its applications an - Jul 01 2022

web names larsen richardj marx morrisl

student solutions manual an introduction to mathematical - Apr 10 2023

web kindly say the solutions mathematical statistics with applications larsen is

instructor s solutions manual an - May 11 2023

web mathematical statistics and its applications dec 22 2022 noted for its integration of

solutions mathematical statistics with applications larsen book - Dec 06 2022

web jul 14 2021 introduction to mathematical statistics and its applications an 6th

student solutions manual mathematical statistics - Feb 08 2023

web textbook solutions for an introduction to mathematical statistics and its 6th edition

an introduction to mathematical statistics and its applications - Dec 26 2021

solutions mathematical statistics with applications larsen - Aug 02 2022

web student solutions manual an introduction to mathematical statistics and its

an introduction to mathematical statistics and its applications - Feb 25 2022

loading interface goodreads - Sep 22 2021

introduction to mathematical statistics and its applications - Aug 14 2023

web find step by step solutions and answers to introduction to mathematical statistics and

an introduction to mathematical statistics and its applications - Oct 24 2021

europaischer naturfotograf des jahres und fritz p old vulkk - Sep 23 2021

europaischer naturfotograf des jahres und fritz p pdf - Jun 01 2022

web europaischer naturfotograf des jahres und fritz pölking preis 2015 bildner verlag the handbook of bird photography

distills the knowledge talent and experience of three well

europaischer naturfotograf des jahres und fritz pölking preis - Jan 08 2023

web europaischer naturfotograf des jahres und fritz pölking preis 2010 gesellschaft deutscher tierfotografen amazon de

bücher zum hauptinhalt wechseln de hallo

europaischer naturfotograf des jahres und fritz pölking preis - Oct 25 2021

web europaischer naturfotograf des jahres und fritz p 40 jahre tier und naturfotografie aus leidenschaft europaischer

naturfotograf des jahres 2012 und fritz pölking preis

europaischer naturfotograf des jahres und fritz pölking preis - Dec 07 2022

web europaischer naturfotograf des jahres und fritz pölking preis 2014 gesellschaft deutscher tierfotografen amazon de

bücher zum hauptinhalt wechseln de hallo

europaischer naturfotograf des jahres und fritz pölking preis - Nov 06 2022

web europaischer naturfotograf des jahres 2012 und fritz pölking preis 2012 gesellschaft deutscher tierfotografen isbn

9783939172932 kostenloser versand für alle bücher

europäischer naturfotograf des jahres und fritz p allegro - Jul 02 2022

web europaischer naturfotograf des jahres und fritz p ground water flow and quality near the upper great lakes connecting channels michigan jul 25 2020 cumulated index

europaischer naturfotograf des jahres und fritz p - Aug 03 2022

web europäischer naturfotograf des jahres und fritz p książka darmowa dostawa z allegro smart najwięcej ofert w jednym miejscu radość zakupów 100

europäischer naturfotograf des jahres und fritz pölking preis - Aug 15 2023

web europäischer naturfotograf des jahres mehr als 1 000 fotografen und über 19 000 bilder zahlen die eindrucksvoll belegen welche wertschätzung der wettbewerb

europaischer naturfotograf des jahres und fritz p uniport edu - Feb 26 2022

web europaischer naturfotograf des jahres und fritz p reforming social sciences humanities and higher education in eastern europe and cis after 1991 mar 01 2023

europaischer naturfotograf des jahres und fritz p ibrahim - Dec 27 2021

web 4 4 europaischer naturfotograf des jahres und fritz p 2021 08 15 2019 ist ein praxisnaher und gut nachvollziehbarer ratgeber für alle die mit ihren fotos sich und

europaischer naturfotograf des jahres und fritz p book - Mar 30 2022

web europaischer naturfotograf des jahres und fritz p 1 11 downloaded from uniport edu ng on july 3 2023 by guest

europaischer naturfotograf des jahres und fritz p

europaischer naturfotograf des jahres und fritz p old talentsprint - Apr 30 2022

web europaischer naturfotograf des jahres und fritz p texas im jahre 1848 apr 19 2020 american railroad manual for the united states and the dominion nov 19 2022 drei

europäischer naturfotograf des jahres und fritz pölking preis - May 12 2023

web europäischer naturfotograf des jahres und fritz pölking preis 2022 amazon com tr kitap

download free europaischer naturfotograf des jahres und fritz p - Jan 28 2022

web feb 27 2023 europaischer naturfotograf des jahres und fritz p can be taken as capably as picked to act ecology and conservation of butterflies a s pullin 2012 12

europäischer naturfotograf des jahres und fritz pölking preis - Mar 10 2023

web europäischer naturfotograf des jahres und fritz pölking preis 2020 amazon com tr

europäischer naturfotograf des jahres und fritz pölking 2017 - Sep 04 2022

web europäischer naturfotograf des jahres europäischer naturfotograf des jahres und fritz pölking preis 2020 europäischer naturfotograf des jahres und fritz pölking preis

europaischer naturfotograf des jahres und fritz p copy - Nov 25 2021

web europäischer naturfotograf des jahres mehr als 1 000 fotografen mehr als 16 500 bilder zahlen die eindrucksvoll belegen welche wertschätzung der wettbewerb

europäischer naturfotograf des jahres und fritz pölking preis - Jul 14 2023

web mehr als 1 000 fotografen und über 16 000 bilder zahlen die eindrucksvoll belegen welche wertschätzung die wettbewerbe gdt europäischer natur fotograf des jahres

europäischer naturfotograf des jahres und fritz pölking preis - Apr 11 2023

web europäischer naturfotograf des jahres und fritz pölking preis 2017 gesellschaft deutscher tierfotografen e v amazon de bücher

europäischer naturfotograf des jahres 2021 - Jun 13 2023

web europäischer naturfotograf des jahres und fritz pölking preis 2018 gesellschaft deutscher tierfotografen e v amazon de bücher

europäischer naturfotograf des jahres und fritz pölking preis - Feb 09 2023

web europäischer naturfotograf des jahres und fritz pölking preis 2023 amazon com tr kitap

europäischer naturfotograf des jahres 2012 und fritz pölking - Oct 05 2022

web find many great new used options and get the best deals for europäischer naturfotograf des jahres und fritz pölking 2017 at the best online prices at ebay free shipping for