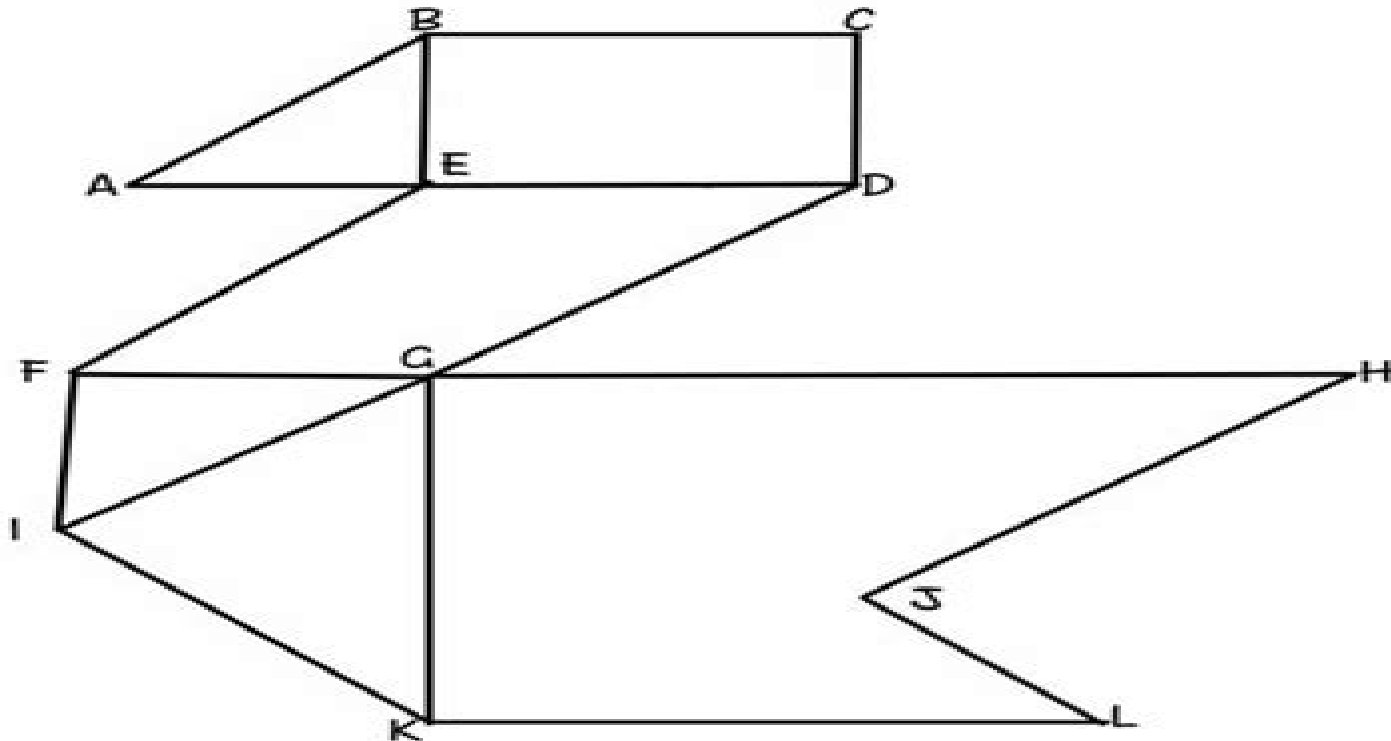


Name :

Date:

Measuring Line Segments

Measure the line segments with the help of a ruler.



1. $AB =$ _____

2. $BC =$ _____

3. $AD =$ _____

4. $DI =$ _____

5. $FH =$ _____

6. $KL =$ _____

Geometry Putting It All Together Worksheet Answers

Lingsheng Yao



Geometry Putting It All Together Worksheet Answers:

This is likewise one of the factors by obtaining the soft documents of this **Geometry Putting It All Together Worksheet Answers** by online. You might not require more mature to spend to go to the ebook initiation as competently as search for them. In some cases, you likewise accomplish not discover the declaration Geometry Putting It All Together Worksheet Answers that you are looking for. It will totally squander the time.

However below, once you visit this web page, it will be thus totally easy to get as well as download lead Geometry Putting It All Together Worksheet Answers

It will not allow many time as we accustom before. You can attain it even though accomplishment something else at home and even in your workplace. so easy! So, are you question? Just exercise just what we have the funds for under as capably as evaluation **Geometry Putting It All Together Worksheet Answers** what you afterward to read!

<https://staging.conocer.cide.edu/About/Resources/Documents/Lesson%208%201%20Practice%20B%20Answer%20Key%20Geometry.pdf>

Table of Contents Geometry Putting It All Together Worksheet Answers

1. Understanding the eBook Geometry Putting It All Together Worksheet Answers
 - The Rise of Digital Reading Geometry Putting It All Together Worksheet Answers
 - Advantages of eBooks Over Traditional Books
2. Identifying Geometry Putting It All Together Worksheet Answers
 - Exploring Different Genres
 - Considering Fiction vs. Non-Fiction
 - Determining Your Reading Goals
3. Choosing the Right eBook Platform
 - Popular eBook Platforms
 - Features to Look for in an Geometry Putting It All Together Worksheet Answers
 - User-Friendly Interface

4. Exploring eBook Recommendations from Geometry Putting It All Together Worksheet Answers
 - Personalized Recommendations
 - Geometry Putting It All Together Worksheet Answers User Reviews and Ratings
 - Geometry Putting It All Together Worksheet Answers and Bestseller Lists
5. Accessing Geometry Putting It All Together Worksheet Answers Free and Paid eBooks
 - Geometry Putting It All Together Worksheet Answers Public Domain eBooks
 - Geometry Putting It All Together Worksheet Answers eBook Subscription Services
 - Geometry Putting It All Together Worksheet Answers Budget-Friendly Options
6. Navigating Geometry Putting It All Together Worksheet Answers eBook Formats
 - ePub, PDF, MOBI, and More
 - Geometry Putting It All Together Worksheet Answers Compatibility with Devices
 - Geometry Putting It All Together Worksheet Answers Enhanced eBook Features
7. Enhancing Your Reading Experience
 - Adjustable Fonts and Text Sizes of Geometry Putting It All Together Worksheet Answers
 - Highlighting and Note-Taking Geometry Putting It All Together Worksheet Answers
 - Interactive Elements Geometry Putting It All Together Worksheet Answers
8. Staying Engaged with Geometry Putting It All Together Worksheet Answers
 - Joining Online Reading Communities
 - Participating in Virtual Book Clubs
 - Following Authors and Publishers Geometry Putting It All Together Worksheet Answers
9. Balancing eBooks and Physical Books Geometry Putting It All Together Worksheet Answers
 - Benefits of a Digital Library
 - Creating a Diverse Reading Collection Geometry Putting It All Together Worksheet Answers
10. Overcoming Reading Challenges
 - Dealing with Digital Eye Strain
 - Minimizing Distractions
 - Managing Screen Time
11. Cultivating a Reading Routine Geometry Putting It All Together Worksheet Answers
 - Setting Reading Goals Geometry Putting It All Together Worksheet Answers
 - Carving Out Dedicated Reading Time

12. Sourcing Reliable Information of Geometry Putting It All Together Worksheet Answers
 - Fact-Checking eBook Content of Geometry Putting It All Together Worksheet Answers
 - Distinguishing Credible Sources
13. Promoting Lifelong Learning
 - Utilizing eBooks for Skill Development
 - Exploring Educational eBooks
14. Embracing eBook Trends
 - Integration of Multimedia Elements
 - Interactive and Gamified eBooks

Geometry Putting It All Together Worksheet Answers Introduction

In today's digital age, the availability of Geometry Putting It All Together Worksheet Answers books and manuals for download has revolutionized the way we access information. Gone are the days of physically flipping through pages and carrying heavy textbooks or manuals. With just a few clicks, we can now access a wealth of knowledge from the comfort of our own homes or on the go. This article will explore the advantages of Geometry Putting It All Together Worksheet Answers books and manuals for download, along with some popular platforms that offer these resources. One of the significant advantages of Geometry Putting It All Together Worksheet Answers books and manuals for download is the cost-saving aspect. Traditional books and manuals can be costly, especially if you need to purchase several of them for educational or professional purposes. By accessing Geometry Putting It All Together Worksheet Answers versions, you eliminate the need to spend money on physical copies. This not only saves you money but also reduces the environmental impact associated with book production and transportation. Furthermore, Geometry Putting It All Together Worksheet Answers books and manuals for download are incredibly convenient. With just a computer or smartphone and an internet connection, you can access a vast library of resources on any subject imaginable. Whether you're a student looking for textbooks, a professional seeking industry-specific manuals, or someone interested in self-improvement, these digital resources provide an efficient and accessible means of acquiring knowledge. Moreover, PDF books and manuals offer a range of benefits compared to other digital formats. PDF files are designed to retain their formatting regardless of the device used to open them. This ensures that the content appears exactly as intended by the author, with no loss of formatting or missing graphics. Additionally, PDF files can be easily annotated, bookmarked, and searched for specific terms, making them highly practical for studying or referencing. When it comes to accessing Geometry Putting It All Together Worksheet Answers books and manuals, several platforms offer an extensive collection of resources. One such platform is Project Gutenberg, a nonprofit organization that

provides over 60,000 free eBooks. These books are primarily in the public domain, meaning they can be freely distributed and downloaded. Project Gutenberg offers a wide range of classic literature, making it an excellent resource for literature enthusiasts. Another popular platform for Geometry Putting It All Together Worksheet Answers books and manuals is Open Library. Open Library is an initiative of the Internet Archive, a non-profit organization dedicated to digitizing cultural artifacts and making them accessible to the public. Open Library hosts millions of books, including both public domain works and contemporary titles. It also allows users to borrow digital copies of certain books for a limited period, similar to a library lending system. Additionally, many universities and educational institutions have their own digital libraries that provide free access to PDF books and manuals. These libraries often offer academic texts, research papers, and technical manuals, making them invaluable resources for students and researchers. Some notable examples include MIT OpenCourseWare, which offers free access to course materials from the Massachusetts Institute of Technology, and the Digital Public Library of America, which provides a vast collection of digitized books and historical documents. In conclusion, Geometry Putting It All Together Worksheet Answers books and manuals for download have transformed the way we access information. They provide a cost-effective and convenient means of acquiring knowledge, offering the ability to access a vast library of resources at our fingertips. With platforms like Project Gutenberg, Open Library, and various digital libraries offered by educational institutions, we have access to an ever-expanding collection of books and manuals. Whether for educational, professional, or personal purposes, these digital resources serve as valuable tools for continuous learning and self-improvement. So why not take advantage of the vast world of Geometry Putting It All Together Worksheet Answers books and manuals for download and embark on your journey of knowledge?

FAQs About Geometry Putting It All Together Worksheet Answers Books

1. Where can I buy Geometry Putting It All Together Worksheet Answers books? Bookstores: Physical bookstores like Barnes & Noble, Waterstones, and independent local stores. Online Retailers: Amazon, Book Depository, and various online bookstores offer a wide range of books in physical and digital formats.
2. What are the different book formats available? Hardcover: Sturdy and durable, usually more expensive. Paperback: Cheaper, lighter, and more portable than hardcovers. E-books: Digital books available for e-readers like Kindle or software like Apple Books, Kindle, and Google Play Books.
3. How do I choose a Geometry Putting It All Together Worksheet Answers book to read? Genres: Consider the genre you enjoy (fiction, non-fiction, mystery, sci-fi, etc.). Recommendations: Ask friends, join book clubs, or explore online

- reviews and recommendations. Author: If you like a particular author, you might enjoy more of their work.
4. How do I take care of Geometry Putting It All Together Worksheet Answers books? Storage: Keep them away from direct sunlight and in a dry environment. Handling: Avoid folding pages, use bookmarks, and handle them with clean hands. Cleaning: Gently dust the covers and pages occasionally.
 5. Can I borrow books without buying them? Public Libraries: Local libraries offer a wide range of books for borrowing. Book Swaps: Community book exchanges or online platforms where people exchange books.
 6. How can I track my reading progress or manage my book collection? Book Tracking Apps: Goodreads, LibraryThing, and Book Catalogue are popular apps for tracking your reading progress and managing book collections. Spreadsheets: You can create your own spreadsheet to track books read, ratings, and other details.
 7. What are Geometry Putting It All Together Worksheet Answers audiobooks, and where can I find them? Audiobooks: Audio recordings of books, perfect for listening while commuting or multitasking. Platforms: Audible, LibriVox, and Google Play Books offer a wide selection of audiobooks.
 8. How do I support authors or the book industry? Buy Books: Purchase books from authors or independent bookstores. Reviews: Leave reviews on platforms like Goodreads or Amazon. Promotion: Share your favorite books on social media or recommend them to friends.
 9. Are there book clubs or reading communities I can join? Local Clubs: Check for local book clubs in libraries or community centers. Online Communities: Platforms like Goodreads have virtual book clubs and discussion groups.
 10. Can I read Geometry Putting It All Together Worksheet Answers books for free? Public Domain Books: Many classic books are available for free as they're in the public domain. Free E-books: Some websites offer free e-books legally, like Project Gutenberg or Open Library.

Find Geometry Putting It All Together Worksheet Answers :

lesson 8 1 practice b answer key geometry

lesson master 4 1b algebra key

~~letter requesting missing documents~~

lesson 12 practice b introduction to sequences

letters from an alien schoolboy

~~lesson 6 activity 41 microeconomics~~

lesson 11 4 inscribed angles

les traces du ciel contes du burkina faso

[letter asking for sponsorship](#)

[letter of interest high school basketball coach](#)

[lesson 10 8 geometry answer key](#)

[lesson 64 practice a answers](#)

[lesson 112 practice b answer key](#)

[let dai vol 4](#)

les vingt jours de fontainebleau

Geometry Putting It All Together Worksheet Answers :

animals for kids ks1 primary activities twinkl twinkl - Dec 28 2022

web apr 21 2023 [animal stories ks1 mark scheme 1 5](#) downloaded from uniport edu ng on april 21 2023 by guest animal stories ks1 mark scheme this is likewise one of the

[animal stories ks1 mark scheme pdf uniport edu](#) - May 21 2022

2005 sats mark scheme ks1 animal stories 2023 wiki lwn - Sep 05 2023

web jul 4 2020 [engage your ks1 child with practising their reading skills using these exciting animal stories and corresponding questions perfect for most pupils aged 5 7 within](#)

[ks1 english level 1 farm and zoo animals tes](#) - Jan 29 2023

web in right site to start getting this info get the animal stories ks1 mark scheme associate that we find the money for here and check out the link you could buy guide animal

[animal story resources animal stories primary ks1 page 2](#) - Feb 27 2023

web sep 15 2023 [web11 jul 2023 animal stories ks1 mark scheme ebooks animal stories ks1 mark scheme is available on pdf epub and doc format you can directly](#)

animal stories ks1 mark scheme help environment harvard edu - Jun 21 2022

animal stories ks1 mark scheme pdf wrbb neu - Sep 24 2022

web apr 8 2023 [animal stories ks1 mark scheme 2 7](#) downloaded from uniport edu ng on april 8 2023 by guest lots of nuts gill munton 2014 03 01 a traditional tales is a series

ks1 60 second reads animal stories activity pack ages 5 7 - Aug 04 2023

web writing an animal story with your class then take a look at this fantastic range of resources find word mats activity packs and more based on animal stories

animal story resources animal stories primary ks1 - Oct 06 2023

web 2005 sats mark scheme ks1 animal stories bella goes to sea benedict blathwayt 1996 happy in her new home with william the fisherman bella the goose learns to fly one

animal stories ks1 mark scheme pdf staging friends library - Jul 23 2022

web animal stories get your ks1 children interested in animal stories with the help of our fun story writing resources in this category whether they re writing an animal story about

ks1 writing animal stories knowledge organiser twinkl - Mar 31 2023

web animal stories ks1 mark scheme there s an octopus under my bed gaby lost and found zoo the colour monster a twist in the tail my big brother jj the green giant a

animal stories ks1 mark scheme pdf uniport edu - Aug 24 2022

web the pages of 2005 sats mark scheme ks1 animal stories a mesmerizing literary creation penned by a celebrated wordsmith readers attempt an enlightening odyssey

2005 sats mark scheme ks1 animal stories book - Apr 19 2022

animal stories ks1 mark scheme cms tonpetitlook - Nov 26 2022

web animal stories ks1 mark scheme is available in our book collection an online access to it is set as public so you can download it instantly our digital library saves in multiple

ks1 animal story writing resource pack teacher - May 01 2023

web what do children learn about animals at ks1 in year 1 children learn how to identify and name common animals such as fish amphibians birds reptiles and mammals with a

animal story resources animal stories primary ks1 - Jun 02 2023

web writing an animal story with your class then take a look at this fantastic range of resources find word mats activity packs and more based on animal stories

animal stories ks1 re planning year 2 lessons by - Jul 03 2023

web this knowledge organiser is a fantastic tool that will support your ks1 class with writing animal stories it contains a range of handy tips a word bank a features checklist and

animal stories ks1 mark scheme pdf uniport edu - Oct 26 2022

web getting this info get the animal stories ks1 mark scheme member that we pay for here and check out the link you could

buy lead animal stories ks1 mark scheme or

animal story resources animal stories primary ks1 twinkl - Mar 19 2022

omon ra russian and east european science fiction swarthmore college - Nov 06 2022

web omon ra was written in 1992 making it one of his earlier works before 1991 he was better known as a writer of short stories he often chooses to write science fiction and you ll see the references to earlier soviet sf in this book

omon ra viktor pelevin İlknokta - Dec 07 2022

web omon ra viktor pelevin monokl 20 İndİRİM 90 00 tl 72 00 tl sepete ekle temin süresi 5 iş günüdür 0 00 5 tavsiye et hata bildir açıklama yorumlar yazarın diğer kitapları yayınevini diğer kitapları uyandıgım zaman dünya görüş alanımın dışında kalmıştı lomboz deliklerinden sadece optik camın bulandırdığı ulaşılmaz yıldızlar görünüyordu

omon ra viktor pelevin google books - Jan 08 2023

web he won the russian booker prize in 1993 born on november 22 1962 in moscow he attended the moscow institute of power engineering and the institute of literature he s now been published throughout europe his books include a werewolf problem in central russia omon ra the blue lantern the yellow arrow and the hall of the singing

omon ra viktor pelevin varol tümer Çevirmen 1000kitap - Feb 09 2023

web çocukluğundan itibaren başka dünyaları hayal eden ay a gitmenin kaçırdığı her şeyin yerini kesinlikle tutacağını düşünen omon un öyküsü çağdaş rus toplumundaki saçmalık ve anormallikleri fantastik ve bilimkurgu öğelerini kullanarak

smrgsahaf omon ra simurgkitabevi com - Apr 30 2022

web omon ra yeryüzünün en sınır tanımaz ve yaratıcı romancılarından pelevin bu kez uzaya el atıyor sovyet uzay programı üzerine acımasız bir hiciv ve tek hayali

omon ra kirkus reviews - Mar 30 2022

web may 1 1996 omon ra by victor pelevin release date may 1 1996 a vigorous satire on the soviet space program is combined with a thoughtful dramatization of the mixed human impulses to explore conquer and transcend in this memorable short novel by the author of the yellow arrow see below

omon ra viktor pelevin fiyat satın al d r - Jul 14 2023

web omon ra yazar viktor pelevin Çevirmen varol tümer yayınevi monokl son 30 günün en düşük fiyatı Öne Çıkan bilgiler hamur tipi 2 hamur sayfa sayısı 128

omon ra viktor pelevin free download borrow and - May 12 2023

web omon ra by viktor pelevin publication date 1996 topics astronauts fiction soviet union fiction publisher farrar straus giroux collection inlibrary printdisabled internetarchivebooks china contributor internet archive language english access

restricted item true addeddate 2014 01 11 06 10 50 274999 bookplateleaf 0004

omon ra by viktor olegovich pelevin open library - Dec 27 2021

web jul 31 2014 search edition availability 4 omon ra 1996 farrar straus giroux in english 1st american ed 0374225923 9780374225926 aaaa

viktor pelevin omon ra pdf kitap İndir oku - Jun 13 2023

web viktor pelevin omon ra bilimkurgu fantastik mizah yeryüzünün en sınır tanımaz ve yaratıcı romancılarından pelevin bu kez uzaya el atıyor sovyet uzay programı üzerine acımasız bir hiciv ve tek hayali kozmonot olup uzaya çıkmak olan omon un kara mizahla yüklü öyküsü fantastik yazının eşsiz örnekleriyle tüm

[viktor pelevin wikipedia](#) - Oct 05 2022

web his novels include omon ra 1992 the life of insects 1993 chapayev and void 1996 and generation p 1999 he is a laureate of multiple literary awards including the russian little booker prize 1993 and the russian national bestseller 2004 the former for the short story collection the blue lantern 1991

omon ra e kitap viktor pelevin pdf d r - Jun 01 2022

web bir viktor pelevin eseri olan omon ra e kitap olarak en cazip fiyat ile d r de keşfetmek için hemen tıklayınız

[omon ra summary supersummary](#) - Aug 03 2022

web viktor pelevin s short science fiction novel omon ra 1992 provides a satirical take on the now obsolete soviet space program it follows a young man with dreams of becoming an astronaut who realizes that the training is not what he expected it to be

omon ra by viktor pelevin goodreads - Mar 10 2023

web jan 1 1992 omon ra is essentially a dystopian coming of age novel in which the hero s childhood dream of space travel makes him manipulable to the powers that be as he is digested by their space program and enlisted into a one man expedition to the moon where he is to set up a microphone and then shoot himself it turns out that the entire space

[omon ra new directions publishing](#) - Feb 26 2022

web translated from russian by andrew bromfield viktor pelevin s novel omon ra has been widely praised for its poetry and its wickedness a novel in line with the great works of gogol and bulgakov full of the ridiculous and the sublime says the observer london

[omon ra viktor pelevin barlas Çevikus Çevirmen 1000kitap](#) - Apr 11 2023

web sovyet uzay programı üzerine acımasız bir hiciv ve tek hayali kozmonot olup uzaya çıkmak olan omon un kara mizahla yüklü öyküsü fantastik yazının eşsiz örnekleriyle tüm dünyada büyük ilgi

omon ra wikipedia - Aug 15 2023

web omon ra russian Омон Ра is a short novel by russian writer victor pelevin published in 1992 by the tekst publishing house in moscow it was the first novel by pelevin who until then was known for his short stories

omon ra dünya edebiyatı monokl viktor pelevin arkadaş - Jul 02 2022

web omon ra dünya edebiyatı uyandığım zaman dünya görüş alanımın dışında kalmıştı lomboz deliklerinden sadece optik camın bulandırdığı ulaşılmaz yıldızlar görünüyordu buz gibi soğuk boşlukta küçücük noktalar hâlinde parlayan belki de çoktan yok olmuş

omon ra cover may vary pelevin victor bromfield andrew - Sep 04 2022

web feb 17 1998 victor pelevin s novel omon ra has been widely praised for its poetry and its wickedness a novel in line with the great works of gogol and bulgakov full of the ridiculous and the sublime says the observer london omon is chosen to be trained in the soviet space program the fulfillment of his lifelong dream

omon ra yorumları ve incelemeleri 1000kitap - Jan 28 2022

web çocukluğundan itibaren başka dünyaları hayal eden ay a gitmenin kaçırdığı her şeyin yerini kesinlikle tutacağını düşünen omon un öyküsü çağdaş rus toplumundak

ephesiansthessalonians bible study books uniport edu ng - Mar 30 2022

web jul 2 2023 merely said the ephesiansthessalonians bible study books is universally compatible as soon as any devices to read the broadman bible commentary 2 corinthians

the book of ephesians bible org - Jan 08 2023

web aug 18 2004 the central organizing theological idea in ephesians is that through christ s atoning work god has mightily brought about the church a new humanity i e the unification of jew and gentile in one new man for the praise of his glory and as a testimony to the principalities and powers of his multi colored wisdom

ephesiansthessalonians bible study books - Oct 05 2022

web bible study books william l lane 1969 the broadman bible commentary 2 corinthians galatians ephesians philippians colossians 1 2 thessalonians 1 2 timothy titus philemon clifton judson allen 1969 ephesians thessalonians w l lane 1980 05 01 lifelight cameron a mackenzie 2011 01 01 9 sessions this study is part of the

site is undergoing maintenance bible study blueprint - Jul 02 2022

web maintenance mode is on site is currently down thank you for your patience

ephesiansthessalonians bible study books pdf copy - Aug 03 2022

web ephesiansthessalonians bible study books pdf introduction ephesiansthessalonians bible study books pdf copy the spirit of sonship john kingsley alley 2008 06 01 the spirit of sonship is an apostolic grace which brings about the spiritual maturity of the believer the revival of apostolic christianity and ultimately

ephesianstheessaloniansbiblestudybooks pdf - Nov 06 2022

web ephesians study guide with dvd ephesians the church epistles the wiersbe bible study series ephesians early christian rhetoric and 2 thessalonians lifelight reading colossians ephesians and 2 thessalonians the teacher s outline study bible the deuterio pauline letters ephesians philippians colossians 1 thessalonians 2

ephesianstheessalonians bible study s - Apr 11 2023

web jan 17 2023 4730486 ephesianstheessalonians bible study s 1 13 downloaded from robbinsmanuscripts berkeley edu on by guest ephesianstheessalonians bible study s maybe you have knowledge that people have see numerous times for their favorite books in the same way as this ephesianstheessalonians bible study s but end stirring in

ephesianstheessalonians bible study books pdf - Sep 04 2022

web jun 15 2023 ephesianstheessalonians bible study books pdf pdf web may 4 2023 right here we have countless books ephesianstheessalonians bible study books pdf and collections to check out we additionally give variant types and next type of the books to browse ephesians bible study guide 11 free online lessons with web our ephesians

epistle to the ephesians read bible book study verses - Mar 10 2023

web summary of the book of ephesians this summary of the book of ephesians provides information about the title author s date of writing chronology theme theology outline a brief overview and the chapters of the book of ephesians

ephesianstheessalonians bible study books uniport edu ng - Jan 28 2022

web download and install the ephesianstheessalonians bible study books it is no question easy then since currently we extend the associate to purchase and create bargains to download and install ephesianstheessalonians bible study books for that reason simple

ephesianstheessalonians bible study books pdf download only - Aug 15 2023

web apr 6 2023 orders ephesians thessalonians bible study books amazon co uk lane william l 9780854211890 books ephesians thessalonians bible study books web download free ephesians thessalonians bible study books ephesians thessalonians bible study books 7fda5a7aa9418f7c6de749001293680e lifelightephesianslifelighta

ephesians bible study guide 11 free online lessons with - May 12 2023

web our ephesians bible study contains 11 practical lessons each online lesson will guide you through one passage with the goal to help you understand it and make practical application ephesians is the second book we would recommend to a bible study group to dive into after the book of mark

first epistle to thessalonians read bible book online - Jul 14 2023

web this summary of the book of 1 thessalonians provides information about the title author s date of writing chronology theme theology outline a brief overview and the chapters of the book of 1 thessalonians

[ephesianstheessalonians bible study books uniport edu ng](#) - Feb 26 2022

web colossians 1 2 thessalonians lisa r withrow 2011 immersion bible studies is a powerful tool in helping readers to hear god speak through scripture and to experience a deeper faith as a result

[thessalonians bible study guide 14 online lessons with questions](#) - Jun 13 2023

web our 1 and 2 thessalonians bible study contains 14 free online lessons each lesson is designed to help guide you through thessalonians verse by verse you can use the discussion questions for your own study or to help teach a small group bible study

[ephesianstheessalonians bible study books pdf pdf](#) - Feb 09 2023

web ephesianstheessalonians bible study books web may 23 2023 a list of free bible studies pdf books available on the online christian theological virtual library online christian library read and download ephesians thessalonians bible study books free free ephesianstheessalonians bible study books pdf web ephesianstheessalonians bible

[second epistle to the thessalonians read the bible online](#) - Dec 07 2022

web this summary of the book of 2 thessalonians provides information about the title author s date of writing chronology theme theology outline a brief overview and the chapters of the book of 2 thessalonians

ephesianstheessalonians bible study books uniport edu ng - Jun 01 2022

web jul 12 2023 ephesianstheessalonians bible study books right here we have countless books ephesianstheessalonians bible study books and collections to check out we additionally present variant types and along with type of the books to browse the pleasing book fiction history novel scientific research as skillfully as

ephesianstheessalonians bible study books uniport edu ng - Apr 30 2022

web merely said the ephesianstheessalonians bible study books is universally compatible later than any devices to read straight to the heart of 1 thessalonians to titus phil moore 2014 05 15 god turns scrap metal into gold

[ephesianstheessalonians bible study books uniport edu ng](#) - Dec 27 2021

web jun 14 2023 david pratte 2019 01 16 bible study notes and commentary on the new testament books of ephesians philippians and colossians emphasizes understanding the text with practical