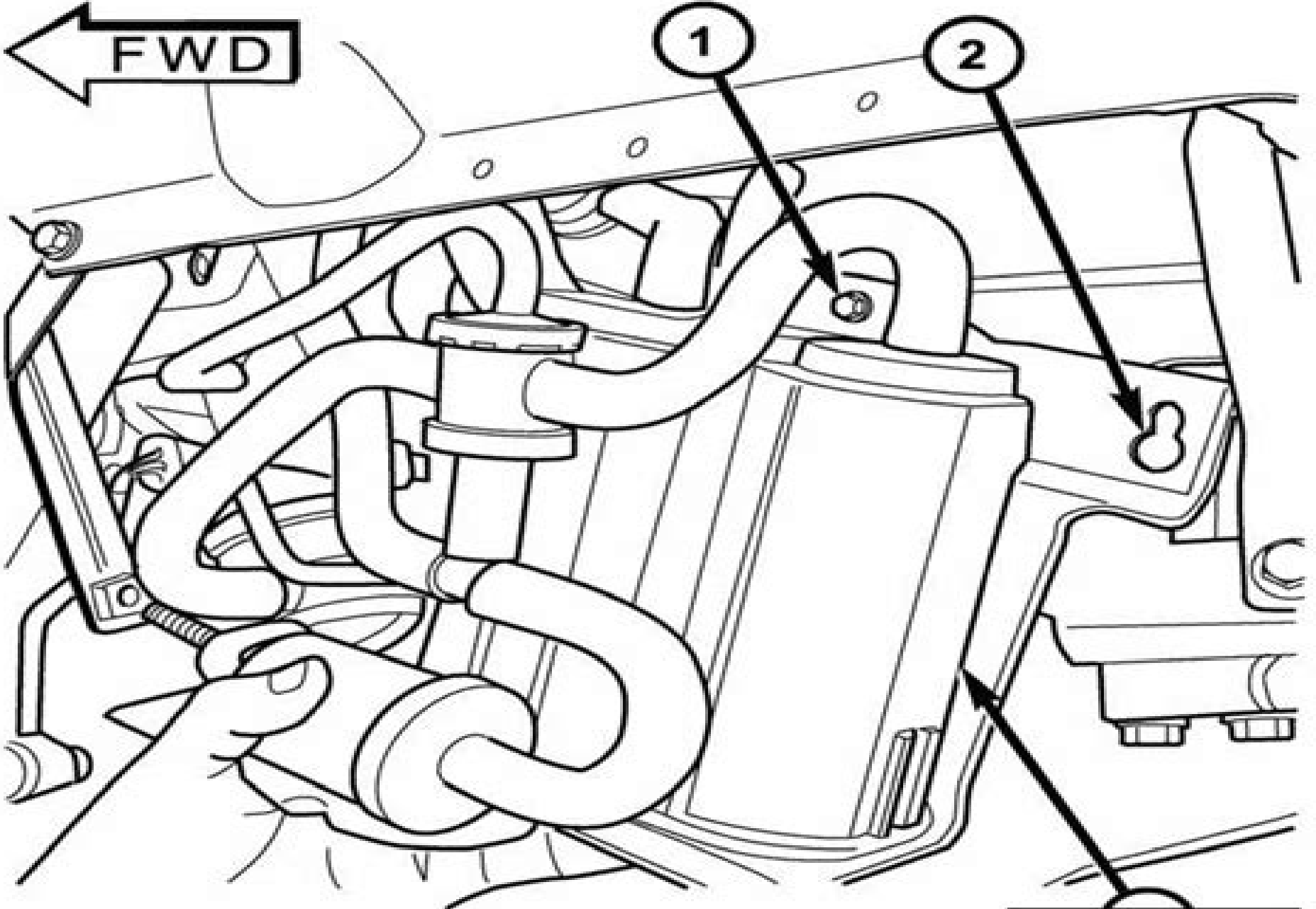


FWD ←

1

2



Emmision Diagram For Jeep Tj 2003

Michael Brown



Emmision Diagram For Jeep Tj 2003:

Thank you for downloading **Emmision Diagram For Jeep Tj 2003**. As you may know, people have look numerous times for their favorite readings like this Emmision Diagram For Jeep Tj 2003, but end up in malicious downloads. Rather than enjoying a good book with a cup of tea in the afternoon, instead they are facing with some harmful bugs inside their computer.

Emmision Diagram For Jeep Tj 2003 is available in our book collection an online access to it is set as public so you can get it instantly.

Our books collection saves in multiple countries, allowing you to get the most less latency time to download any of our books like this one.

Kindly say, the Emmision Diagram For Jeep Tj 2003 is universally compatible with any devices to read

https://staging.conocer.cide.edu/files/detail/Documents/Li_Extreme_Sports.pdf

Table of Contents Emmision Diagram For Jeep Tj 2003

1. Understanding the eBook Emmision Diagram For Jeep Tj 2003
 - The Rise of Digital Reading Emmision Diagram For Jeep Tj 2003
 - Advantages of eBooks Over Traditional Books
2. Identifying Emmision Diagram For Jeep Tj 2003
 - Exploring Different Genres
 - Considering Fiction vs. Non-Fiction
 - Determining Your Reading Goals
3. Choosing the Right eBook Platform
 - Popular eBook Platforms
 - Features to Look for in an Emmision Diagram For Jeep Tj 2003
 - User-Friendly Interface
4. Exploring eBook Recommendations from Emmision Diagram For Jeep Tj 2003
 - Personalized Recommendations

- Emmision Diagram For Jeep Tj 2003 User Reviews and Ratings
- Emmision Diagram For Jeep Tj 2003 and Bestseller Lists
- 5. Accessing Emmision Diagram For Jeep Tj 2003 Free and Paid eBooks
 - Emmision Diagram For Jeep Tj 2003 Public Domain eBooks
 - Emmision Diagram For Jeep Tj 2003 eBook Subscription Services
 - Emmision Diagram For Jeep Tj 2003 Budget-Friendly Options
- 6. Navigating Emmision Diagram For Jeep Tj 2003 eBook Formats
 - ePub, PDF, MOBI, and More
 - Emmision Diagram For Jeep Tj 2003 Compatibility with Devices
 - Emmision Diagram For Jeep Tj 2003 Enhanced eBook Features
- 7. Enhancing Your Reading Experience
 - Adjustable Fonts and Text Sizes of Emmision Diagram For Jeep Tj 2003
 - Highlighting and Note-Taking Emmision Diagram For Jeep Tj 2003
 - Interactive Elements Emmision Diagram For Jeep Tj 2003
- 8. Staying Engaged with Emmision Diagram For Jeep Tj 2003
 - Joining Online Reading Communities
 - Participating in Virtual Book Clubs
 - Following Authors and Publishers Emmision Diagram For Jeep Tj 2003
- 9. Balancing eBooks and Physical Books Emmision Diagram For Jeep Tj 2003
 - Benefits of a Digital Library
 - Creating a Diverse Reading Collection Emmision Diagram For Jeep Tj 2003
- 10. Overcoming Reading Challenges
 - Dealing with Digital Eye Strain
 - Minimizing Distractions
 - Managing Screen Time
- 11. Cultivating a Reading Routine Emmision Diagram For Jeep Tj 2003
 - Setting Reading Goals Emmision Diagram For Jeep Tj 2003
 - Carving Out Dedicated Reading Time
- 12. Sourcing Reliable Information of Emmision Diagram For Jeep Tj 2003
 - Fact-Checking eBook Content of Emmision Diagram For Jeep Tj 2003

- Distinguishing Credible Sources
- 13. Promoting Lifelong Learning
 - Utilizing eBooks for Skill Development
 - Exploring Educational eBooks
- 14. Embracing eBook Trends
 - Integration of Multimedia Elements
 - Interactive and Gamified eBooks

Emmision Diagram For Jeep Tj 2003 Introduction

In this digital age, the convenience of accessing information at our fingertips has become a necessity. Whether its research papers, eBooks, or user manuals, PDF files have become the preferred format for sharing and reading documents. However, the cost associated with purchasing PDF files can sometimes be a barrier for many individuals and organizations. Thankfully, there are numerous websites and platforms that allow users to download free PDF files legally. In this article, we will explore some of the best platforms to download free PDFs. One of the most popular platforms to download free PDF files is Project Gutenberg. This online library offers over 60,000 free eBooks that are in the public domain. From classic literature to historical documents, Project Gutenberg provides a wide range of PDF files that can be downloaded and enjoyed on various devices. The website is user-friendly and allows users to search for specific titles or browse through different categories. Another reliable platform for downloading Emmision Diagram For Jeep Tj 2003 free PDF files is Open Library. With its vast collection of over 1 million eBooks, Open Library has something for every reader. The website offers a seamless experience by providing options to borrow or download PDF files. Users simply need to create a free account to access this treasure trove of knowledge. Open Library also allows users to contribute by uploading and sharing their own PDF files, making it a collaborative platform for book enthusiasts. For those interested in academic resources, there are websites dedicated to providing free PDFs of research papers and scientific articles. One such website is Academia.edu, which allows researchers and scholars to share their work with a global audience. Users can download PDF files of research papers, theses, and dissertations covering a wide range of subjects. Academia.edu also provides a platform for discussions and networking within the academic community. When it comes to downloading Emmision Diagram For Jeep Tj 2003 free PDF files of magazines, brochures, and catalogs, Issuu is a popular choice. This digital publishing platform hosts a vast collection of publications from around the world. Users can search for specific titles or explore various categories and genres. Issuu offers a seamless reading experience with its user-friendly interface and allows users to download PDF files for offline reading. Apart from dedicated platforms, search engines also play a crucial role in finding free PDF files. Google, for instance, has an advanced

search feature that allows users to filter results by file type. By specifying the file type as "PDF," users can find websites that offer free PDF downloads on a specific topic. While downloading Emmision Diagram For Jeep Tj 2003 free PDF files is convenient, its important to note that copyright laws must be respected. Always ensure that the PDF files you download are legally available for free. Many authors and publishers voluntarily provide free PDF versions of their work, but its essential to be cautious and verify the authenticity of the source before downloading Emmision Diagram For Jeep Tj 2003. In conclusion, the internet offers numerous platforms and websites that allow users to download free PDF files legally. Whether its classic literature, research papers, or magazines, there is something for everyone. The platforms mentioned in this article, such as Project Gutenberg, Open Library, Academia.edu, and Issuu, provide access to a vast collection of PDF files. However, users should always be cautious and verify the legality of the source before downloading Emmision Diagram For Jeep Tj 2003 any PDF files. With these platforms, the world of PDF downloads is just a click away.

FAQs About Emmision Diagram For Jeep Tj 2003 Books

How do I know which eBook platform is the best for me? Finding the best eBook platform depends on your reading preferences and device compatibility. Research different platforms, read user reviews, and explore their features before making a choice. Are free eBooks of good quality? Yes, many reputable platforms offer high-quality free eBooks, including classics and public domain works. However, make sure to verify the source to ensure the eBook credibility. Can I read eBooks without an eReader? Absolutely! Most eBook platforms offer webbased readers or mobile apps that allow you to read eBooks on your computer, tablet, or smartphone. How do I avoid digital eye strain while reading eBooks? To prevent digital eye strain, take regular breaks, adjust the font size and background color, and ensure proper lighting while reading eBooks. What the advantage of interactive eBooks? Interactive eBooks incorporate multimedia elements, quizzes, and activities, enhancing the reader engagement and providing a more immersive learning experience. Emmision Diagram For Jeep Tj 2003 is one of the best book in our library for free trial. We provide copy of Emmision Diagram For Jeep Tj 2003 in digital format, so the resources that you find are reliable. There are also many Ebooks of related with Emmision Diagram For Jeep Tj 2003. Where to download Emmision Diagram For Jeep Tj 2003 online for free? Are you looking for Emmision Diagram For Jeep Tj 2003 PDF? This is definitely going to save you time and cash in something you should think about. If you trying to find then search around for online. Without a doubt there are numerous these available and many of them have the freedom. However without doubt you receive whatever you purchase. An alternate way to get ideas is always to check another Emmision Diagram For Jeep Tj 2003. This method for see exactly what may be included and adopt these ideas to your book. This site will almost certainly help you save time and effort, money and stress. If you are looking for free books then you really should

consider finding to assist you try this. Several of Emmision Diagram For Jeep Tj 2003 are for sale to free while some are payable. If you arent sure if the books you would like to download works with for usage along with your computer, it is possible to download free trials. The free guides make it easy for someone to free access online library for download books to your device. You can get free download on free trial for lots of books categories. Our library is the biggest of these that have literally hundreds of thousands of different products categories represented. You will also see that there are specific sites catered to different product types or categories, brands or niches related with Emmision Diagram For Jeep Tj 2003. So depending on what exactly you are searching, you will be able to choose e books to suit your own need. Need to access completely for Campbell Biology Seventh Edition book? Access Ebook without any digging. And by having access to our ebook online or by storing it on your computer, you have convenient answers with Emmision Diagram For Jeep Tj 2003 To get started finding Emmision Diagram For Jeep Tj 2003, you are right to find our website which has a comprehensive collection of books online. Our library is the biggest of these that have literally hundreds of thousands of different products represented. You will also see that there are specific sites catered to different categories or niches related with Emmision Diagram For Jeep Tj 2003 So depending on what exactly you are searching, you will be able to choose ebook to suit your own need. Thank you for reading Emmision Diagram For Jeep Tj 2003. Maybe you have knowledge that, people have search numerous times for their favorite readings like this Emmision Diagram For Jeep Tj 2003, but end up in harmful downloads. Rather than reading a good book with a cup of coffee in the afternoon, instead they juggled with some harmful bugs inside their laptop. Emmision Diagram For Jeep Tj 2003 is available in our book collection an online access to it is set as public so you can download it instantly. Our digital library spans in multiple locations, allowing you to get the most less latency time to download any of our books like this one. Merely said, Emmision Diagram For Jeep Tj 2003 is universally compatible with any devices to read.

Find Emmision Diagram For Jeep Tj 2003 :

li extreme sports

liberalism its theory & practice

lewes past

letters and sounds - get set for kindergarten

leyenda y cuentos vikingos

letters to dalton higher education and the degree salesmen

lew lehrs cookbook for men

lewis carroll a portrait with background

letters volume 2

letters from old friends and members of the wyoming stockgrowers abociation

liavek spells of binding

libbie marshs three eras

levantando la palabra

li vampires - pk of 6

letters to gorbachev life in russia through the postbag of argumenty/fakty...

Emmision Diagram For Jeep Tj 2003 :

la ciencia de la ciencia ficción cuando hawking jugaba al póker - Aug 16 2023

web mar 4 2019 manuel moreno lupiáñez jordi josé pont shackleton books mar 4 2019 science 176 pages un entretenidísimo ejercicio de erudición cinematográfica literaria y cómo no científica a

la ciencia de la ciencia ficcion cuando hawking jugaba al - Jun 02 2022

web feb 24 2019 la ciencia de la ciencia ficcion cuando hawking jugaba al poker en el libro del 2019 escrito por manuel moreno lupiañez isbn 9788417822002 la vanguardia

la ciencia de la ciencia ficcion cuando hawking j book - Dec 28 2021

web los títulos básicos de la ciencia ficción en un libro imprescindible para conocer a fondo uno de los géneros literarios más característicos de nuestros días ciencia ficción nueva guía de lectura es la versión actualizada y ampliada de un libro clásico y hoy casi mítico de la ciencia ficción española publicado en 1990

amazon com la ciencia de la ciencia ficción cuando hawking - Oct 06 2022

web amazon com la ciencia de la ciencia ficción cuando hawking jugaba al póker en el enterprise aprende ciencia con las obras de culto de la sci fi spanish edition ebook lupiáñez manuel moreno pont jordi josé y tienda kindle

la ciencia de la ciencia ficcion cuando hawking jugaba - May 01 2022

web libro la ciencia de la ciencia ficcion cuando hawking jugaba al poker en el enterprise aprende ciencia con las obras de culto del sci fi del autor manuel moreno lupiaÑez al mejor precio nuevo o

la ciencia de la ciencia ficción cuando hawking jugaba al póker - Jan 09 2023

web la ciencia de la ciencia ficción cuando hawking jugaba al póker en el enterprise aprende ciencia con las obras de culto de la sci fi ebook lupiáñez manuel moreno pont jordi josé y amazon com mx tienda kindle

la ciencia de la ciencia ficcion cuando hawking j stephen w hawking - Mar 31 2022

web través del cine los cómics la literatura o las series de televisión qué es una película de ciencia ficción espacial sino al fin

y al cabo una historia de exploración de territorios desconocidos como las de toda la vida antaño fueron los libros sobre valientes marineros que se aventuraban en mares embravecidos o que exploraban

la ciencia de la ciencia ficción cuando hawking jugaba al póker - Feb 10 2023

web la ciencia de la ciencia ficción cuando hawking jugaba al póker en el enterprise aprende ciencia con las obras de culto de la sci fi ebook lupiáñez manuel moreno pont jordi josé y amazon es libros

la ciencia de la ciencia ficción shackleton books - Aug 04 2022

web la ciencia de la ciencia ficción cuando hawking jugaba al póker en el enterprise aprende ciencia con las obras de culto del sci fi de jordi josé pont y manuel moreno lupiáñez descripción

la ciencia de la ciencia ficción cuando hawking jugaba al póker - Nov 07 2022

web mar 4 2019 en un famoso episodio de star trek asistimos a una inusual partida de póker entre el androide data y los hologramas de albert einstein isaac newton y stephen hawking el único que pudo interpretarse a sí mismo

la ciencia de la ciencia ficción cuando hawking jugaba al póker - Jun 14 2023

web feb 25 2019 buy la ciencia de la ciencia ficción cuando hawking jugaba al póker en el enterprise aprende ciencia con las obras de culto del sci fi on amazon com free shipping on qualified orders

la ciencia de la ciencia ficcion cuando hawking j 2022 vod - Jan 29 2022

web la ciencia de la ciencia ficcion cuando hawking j el mundo de max la comunicacion publica de la ciencia hacia la sociedad del conocimiento the science book ciencia hoy ñ 80 el lugar de la ciencia política apuntes de filosofía e historia de la ciencia el origen de la ciencia the origin of science la ciencia de la política

amazon com la ciencia de la ciencia ficción cuando hawking - May 13 2023

web amazon com la ciencia de la ciencia ficción cuando hawking jugaba al póker en el enterprise aprende ciencia con las obras de culto del sci fi 9788417822002 moreno lupiáñez manuel josé pont jordi libros disponible

la ciencia de la ciencia ficción cuando hawking jugaba al - Mar 11 2023

web la ciencia de la ciencia ficción cuando hawking jugaba al póker en el enterprise aprende ciencia con las obras de culto de la sci fi moreno lupiáñez manuel josé pont jordi amazon com mx libros

la ciencia de la ciencia ficcion cuando hawking jugaba al - Feb 27 2022

web por heather morris resumen del libro la ciencia de la ciencia ficcion cuando hawking jugaba al poker en el enterprise aprende ciencia con las obras de culto del sci fi en pdf docx epub y azw sinopsis de la ciencia de la ciencia ficcion cuando hawking jugaba al poker en el enterprise

la ciencia de la ciencia ficción cuando hawking jugaba al póker - Jul 15 2023

web la ciencia de la ciencia ficción cuando hawking jugaba al póker en el enterprise aprende ciencia con las obras de culto

de la sci fi manuel moreno lupiáñez jordi josé pont manuel moreno lupiáñez jordi josé pont amazon es libros

la ciencia de la ciencia ficción cuando hawking jugaba al - Sep 05 2022

web mar 4 2019 la ciencia de la ciencia ficción cuando hawking jugaba al póker en el enterprise libro o ebook de y editorial compra ahora en fnac con 5 de descuento la ciencia de la ciencia ficción cuando hawking jugaba al póker en el enterprise 5 de descuento fnac

la ciencia de la ciencia ficcion cuando hawking casa del - Apr 12 2023

web el libro la ciencia de la ciencia ficcion cuando hawking jugaba al poker en el enterprise aprende ciencia con las obras de culto del sci fi de manuel moreno lupiañez en casa del libro descubre las mejores ofertas y envíos gratis

pdf la ciencia de la ciencia ficción by manuel moreno perlego - Jul 03 2022

web spanish epub mobile friendly and pdf available on ios android ebook epub la ciencia de la ciencia ficción cuando hawking jugaba al póker en el enterprise aprende ciencia con las obras de culto de la sci fi manuel moreno lupiáñez jordi josé pont book details book preview table of contents citations about this book

la ciencia de la ciencia ficción cuando hawking jugaba al póker - Dec 08 2022

web la ciencia de la ciencia ficción cuando hawking jugaba al póker en el enterprise aprende ciencia con las obras de culto de la sci fi ebook written by manuel moreno lupiáñez jordi josé pont read this book using google play books app on your pc android ios devices

56 martha cecilia kristine series ideas free romance books free - Jul 02 2022

web oct 15 2020 explore rose s board martha cecilia kristine series followed by 370 people on pinterest see more ideas about free romance books free reading online martha

martha cecilia wikipedia - Sep 04 2022

web personal life maribeth dela cruz or popularly known as martha cecilia was born on may 13 1953 in the city of dapitan in zamboanga del norte philippines she was a commerce graduate from the university of the east manila and said to have finished in conchitina bernardo s karilagan finishing school in sta mesa martha cecilia had 4 children

celebrating martha cecilia s 26th anniversary precious hearts - Dec 07 2022

web oct 25 2021 it has been 26 years since martha cecilia published her first novel with ppc akin ka noon ngayon at magpakailanman 26 years since she began affecting romance readers perspective on love and romance 26 years of impacting lives with the continued publication of her novels

martha cecilia precious hearts romances - Jan 08 2023

web october 25 2021 it has been 26 years since martha cecilia began affecting romance readers perspective on love and romance 26 years of impacting lives with the continued publication of her novels continue reading

martha cecilia author of el paraiso goodreads - Nov 06 2022

web genre literature fiction romance edit data martha cecilia is a bestselling filipino romance novelist who writes for precious pages corporation many of her books have been adapted on tv including impostor and her highly acclaimed kristine series

martha cecilia novels blogger - Apr 11 2023

web details this is the first book novel released this year kristine series 52 leon fortalejo ang simula ng wakas was released yesterday april 22 2009 the book is now available in phr stores metro manila it maybe also be available in other bookstores it s only one book with 144 pages grab your copies now

martha cecilia marcsined wattpad - Jul 14 2023

web sweetheart 1 by martha cecilia ikaw ang aking panaginip ang aking magandang pag ibig isang matinding crush ang umusbong sa batang puso ni kimberly para kay renz noong sixteen siya love letters and gifts waltz and a song promises and the very first kiss all grew into a beautiful love noong eighteen siya under completed

sweetheart series by martha cecilia goodreads - Aug 03 2022

web sweetheart series 19 primary works 19 total works book 1 sweetheart i by martha cecilia 4 33 1 223 ratings 41 reviews published 1997 1 edition ikaw ang aking panaginip ang aking magandang want to read rate it book 2 lavender lace by martha cecilia 4 43 857 ratings 26 reviews published 1997 1 edition

kristine series by martha cecilia pinoypocketbooks - May 12 2023

web feb 26 2009 kristine series by martha cecilia 1 the devil s kiss 2 ang sisiw at ang agila 3 dahil ikaw 4 jewel black diamond 5 ang lalake sa larawan by amanda 6 kapisang papel by amanda 7 isabella by amanda 8 villa kristine a special edition 144 pages 9 amore beloved stranger a special edition

martha cecilia pinoypocketbooks - Aug 15 2023

web pinoypocketbooks com gems hello again my heart by martha cecilia gems sunset and you by martha cecilia mlmh my love my hero hans by martha cecilia mlmh my love my hero has 2 by martha cecilia mlmh my love my hero kiel 1 by martha cecilia mlmh my love my hero kiel 2 by martha cecilia

all book series by martha cecilia goodreads - Mar 30 2022

web martha cecilia has 172 books on goodreads with 186296 ratings martha cecilia s most popular series is sweetheart *kristine series one wish 1 martha cecilia free download* - Mar 10 2023

web sep 5 2000 kristine series one wish 1 by martha cecilia publication date 2000 09 05 usage public domain mark 1 0 topics romancebooks tagalog love story

martha cecilia pocketbooks download free pdf or buy books - Dec 27 2021

web martha cecilia pocketbooks download martha cecilia pocketbooks pdf found 36 pdf ebooks

books by martha cecilia author of el paraiso goodreads - Apr 30 2022

web martha cecilia has 172 books on goodreads with 186331 ratings martha cecilia s most popular book is el paraiso

martha cecilia thegrouch33 wattrpad - Feb 26 2022

web read stories about amanda intense and alltimefavorite on wattrpad recommended by thegrouch33

sweetheart series by martha cecilia pinoypocketbooks - Feb 09 2023

web feb 26 2009 sweetheart series by martha cecilia 01 sweetheart 1 02 lavender lace 03 you belong to my heart 04 my knight in shining armour 05 all my love 06 mrs winters 07 somewhere between lovers and friends 08 my cheating heart 09 mananatili kang mahal 10 how did i fall in love with you 11 my

sa mga nagtatanong martha cecilia the romance diva facebook - Jun 13 2023

web para makita ang mga free ebooks sa website i click lang ang free items tab or follow this link preciouspagesebookstore.com ph products free kung gusto ninyo i download ang mga free ebooks na nasa website please follow the instructions provided below you can view your ebook on your website library for downloading and reading you

download martha cecilia kristine series pocketbook pdf - Oct 05 2022

web martha cecilia kristine series pocketbook download martha cecilia kristine series pocketbook pdf found 72 pdf ebooks saint cecilia saint cecilia view pdf queens of hearts you might view pdf pierce martha martha pierce cityofboston gov sent tuesday view pdf windows view pdf

be still my heart martha cecilia download free pdf or buy books - Jun 01 2022

web precious heart s tagalog romance pocketbooks martha cecilia s all time about us precious hearts view pdf 4 sale martha cecilia precious hearts tagalog pocketbook 4 sale camilla precious our hearts on tv tagalog romance pocketbooks november 2008 be still my lace you belong to my heart my sweetheart series by martha

precious hearts romances books goodreads - Jan 28 2022

web 1 of 5 stars 2 of 5 stars 3 of 5 stars 4 of 5 stars 5 of 5 stars forbidden love precious hearts romances 204 by martha cecilia shelved 2 times as precious hearts romances avg rating 4 25 141 ratings published want to read rate this book 1 of 5 stars 2 of 5 stars 3 of 5 stars 4 of 5 stars 5 of 5 stars

phonegap beginner s guide packt - Sep 10 2022

web the introduction of a command line tool cli through which common operations such as project creation debug and emulation could be performed in a standard way android ios and blackberry the capability to embed phonegap applications into larger native ios and android applications using cordova webview

[free phonegap tutorial for android ios for beginners youtube](#) - May 06 2022

web apr 26 2014 recorded for infologs get more free videos on infologs and get ready for job checkout the website goo gl
ajwlfithis video will show you that how we

phonegap overview online tutorials library - Feb 03 2022

web phonegap overview mobile handhelds and easy to carry devices have started a new revolution in software engineering
these small but efficient devices are capable to run applications created with high end programming languages people who
own these devices tend to use them at their maximum as these devices such as mo

online course phonegap for beginners getting digital - Apr 05 2022

web phonegap for beginners setup the development environment for the phonegap framework create a basic phonegap
application to runs on most mobile devices ios android windows mobile blackberry and more deploy it onto a live and
emulator device implement the framework api s students should be familiar with the basics of html

pdf phonegap beginner s guide by andrew lunny perlego - Jun 07 2022

web phonegap beginner s guide will show you how to use the phonegap mobile development framework to target multiple
mobile platforms ios android blackberry and more with a single application with phonegap you can use existing web
development skills instead of learning a new environment for every platform on the market

phonegap build beginner tutorial 1 introduction youtube - Mar 04 2022

web oct 12 2015 26k views 7 years ago phonegap build beginner tutorials phonegap build beginner tutorial 1 introduction
in this video i talk about what you will learn in this course and other

phonegap beginner s guide third edition perlego - Dec 13 2022

web this book provides you with the skills you need to successfully create develop debug and deploy a cross platform mobile
application with phonegap 5 the book starts with the basics of phonegap covering setting up your development environment
creating a simple project and debugging and deploying it to your mobile devices

phonegap tutorial for beginners creativedev - Jul 08 2022

web phonegap is a framework for mobile development that is useful to develop an application using html js css which
supports in all well known mobile platforms here i am going to explain about to set up phonegap into eclipse for android
application in windows getting started with phonegap before you start to setup project install eclipse indigo

intro to phonegap app creation part 1 youtube - Apr 17 2023

web feb 11 2013 603 share 181k views 10 years ago intro to phonegap introduction to the tutorial series and a quick
overview of what phonegap is as well as the tools that will be used in this tutorial series

25 free phonegap courses for beginners 2023 sep - Jan 02 2022

web phonegap courses for all levels from beginners to advanced available for free learn phonegap with free online courses

and tutorials find free phonegap tutorials and courses and start learning phonegap phonegap courses for all levels from beginners to advanced available for free 50 000 free courses online to start today view courses

[getting started with phonegap creative blog](#) - Nov 12 2022

web nov 24 2011 in this excerpt from the phonegap beginner s guide nitobi adobe s andrew lunny goes over the biggest roadblock developers find with the mobile development framework getting started and building simple apps for ios android and blackberry this excerpt is chapter 1 of the phonegap beginner s guide by andrew lunny

beginning phonegap tutorials phonegap advantages and - Feb 15 2023

web part of beginning phonegap video series for the full course visit [packtpub.com/beginning-phonegap-video-utm_source=youtube-utm_medium=video-desc](#)

phonegap from scratch introduction envato tuts - Jul 20 2023

web jan 4 2012 in this first part we will take a quick look at what phonegap actually is and what you can use it for and then look at the installation of the phonegap framework and the sdks that we require for testing on os x windows and linux environments

beginners intro to phonegap and phonegap build youtube - Jun 19 2023

web watch a simple phone app go from zero to running on a phone in 20 minutes uses phonegap.com github.com and build phonegap.com key moments

phonegap for beginners stone river elearning learnamic - Jan 14 2023

web phonegap allows you to easily create apps using web technologies that all beginners will have a basic understanding of html css and javascript it is a free open source framework for creating mobile apps using standardised web apis

phonegap tutorial for beginners what is phonegap youtube - Aug 21 2023

web dec 6 2016 phonegap tutorial for beginners contains some basic questions to help you understand and start working with phonegap read more about [apache cordova project](#) s

phonegap development for absolute beginners udemy - May 18 2023

web using phonegap to build an application understand the basic concepts of phonegap application course outline setting up the development environment course introduction install native tool sets install phonegap cordova build your first application hello world app for ios and android simulator testing and basic html5 elements tags

phonegap tutorial youtube - Oct 11 2022

web jan 9 2015 webhooks for beginners full course

[phonegap tutorial online tutorials library](#) - Aug 09 2022

web phonegap is a software development framework by adobe system which is used to develop mobile applications to

develop apps using phonegap the developer does not require to have knowledge of mobile programming language but only web development languages like html css and jscript

how to create an app in 10min phonegap tips 2020 youtube - Mar 16 2023

web jan 12 2020 open me step by step guide instructions 1 install a text editor like atom notepad subline or check this video to find an editor y