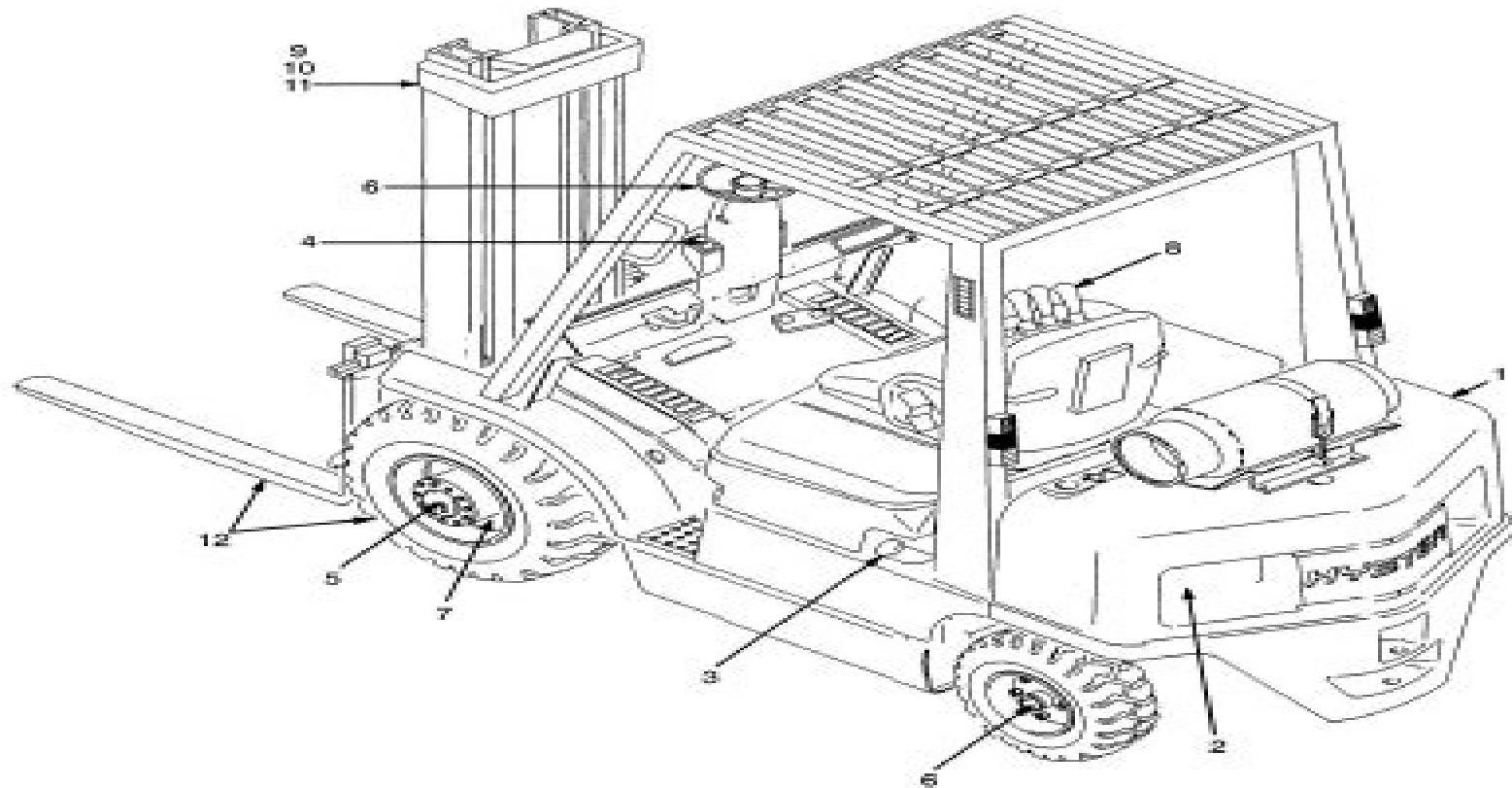


ILLUSTRATED CONTENTS



REF	SECTION	PAGE
1	Frame	1
2	Engine	13
3	Fuel System	107
4	Electrical System	175
5	Transmission	285
6	Steering System	307
7	Brake System	315
8	Hydraulic System	323
9	Two Stage Limited Free-Lift Mast	347
10	Three Stage Full Free-Lift Mast	369
11	Two Stage Full Free-Lift Mast	403
12	Optional	435
13	Numerical Index	481

Hyster H65xm Parts Manual

Hyster Company



Hyster H65xm Parts Manual:

Hyster Parts Manual ,1995 **Parts Manual** ,1995 Master Parts Manual Tecumseh Products Company. Engine and Gear Service Division,1982 Parts Book and Instruction Manual for Hyster D4N Towing Winch for Caterpillar D4 and R4 Tractors, Tractor Model Serial Numbers 6G-2076 and Up, 7J-9215 and Up Hyster Co,1955 **Hyster Service Manual: Spacesaver S60B, S70B, S80B, S100B and Challenger H60C, H70C, H80C, H100C, H120C (fork Lift Trucks).** Hyster Company,1975 Parts Manual Caterpillar Inc. Peoria, Ill.,1990 **Parts Manual** Caterpillar Inc. Peoria, Ill.,1992 **Parts Manual** ,1980 Parts Manual Caterpillar Inc. Peoria, Ill.,1993 *Parts Manual* , Chilton's Labor Guide and Parts Manual ,1974 **Parts Manual** Caterpillar Inc. Peoria, Ill.,1996 **Chilton's Import Labor Guide and Parts Manual** Chilton Book Company,1981 Chilton's Labor Guide and Parts Manual Chilton Book Company,1974 **Lauson-Power Products Master Parts Manual** Tecumseh Products Company,1961 **Clark Parts Manual C500** Clark Equipment Company. Industrial Truck Division,1982 **Parts Manual** Caterpillar Inc. Peoria, Ill.,1995 Parts Manual Caterpillar Inc. Peoria, Ill.,1992 Chilton's Motor/age Labor Guide and Parts Manual, 1974 Chilton Book Company,1973 *Parts Manual* Caterpillar Inc. Peoria, Ill.,1993

If you ally dependence such a referred **Hyster H65xm Parts Manual** book that will have enough money you worth, get the completely best seller from us currently from several preferred authors. If you want to comical books, lots of novels, tale, jokes, and more fictions collections are after that launched, from best seller to one of the most current released.

You may not be perplexed to enjoy all ebook collections Hyster H65xm Parts Manual that we will extremely offer. It is not with reference to the costs. Its approximately what you compulsion currently. This Hyster H65xm Parts Manual, as one of the most working sellers here will certainly be accompanied by the best options to review.

<https://staging.conocer.cide.edu/About/uploaded-files/index.jsp/Lennox%20Ventilation%20Installation%20Manual.pdf>

Table of Contents Hyster H65xm Parts Manual

1. Understanding the eBook Hyster H65xm Parts Manual
 - The Rise of Digital Reading Hyster H65xm Parts Manual
 - Advantages of eBooks Over Traditional Books
2. Identifying Hyster H65xm Parts Manual
 - Exploring Different Genres
 - Considering Fiction vs. Non-Fiction
 - Determining Your Reading Goals
3. Choosing the Right eBook Platform
 - Popular eBook Platforms
 - Features to Look for in an Hyster H65xm Parts Manual
 - User-Friendly Interface
4. Exploring eBook Recommendations from Hyster H65xm Parts Manual
 - Personalized Recommendations
 - Hyster H65xm Parts Manual User Reviews and Ratings
 - Hyster H65xm Parts Manual and Bestseller Lists
5. Accessing Hyster H65xm Parts Manual Free and Paid eBooks

- Hyster H65xm Parts Manual Public Domain eBooks
 - Hyster H65xm Parts Manual eBook Subscription Services
 - Hyster H65xm Parts Manual Budget-Friendly Options
6. Navigating Hyster H65xm Parts Manual eBook Formats
 - ePub, PDF, MOBI, and More
 - Hyster H65xm Parts Manual Compatibility with Devices
 - Hyster H65xm Parts Manual Enhanced eBook Features
 7. Enhancing Your Reading Experience
 - Adjustable Fonts and Text Sizes of Hyster H65xm Parts Manual
 - Highlighting and Note-Taking Hyster H65xm Parts Manual
 - Interactive Elements Hyster H65xm Parts Manual
 8. Staying Engaged with Hyster H65xm Parts Manual
 - Joining Online Reading Communities
 - Participating in Virtual Book Clubs
 - Following Authors and Publishers Hyster H65xm Parts Manual
 9. Balancing eBooks and Physical Books Hyster H65xm Parts Manual
 - Benefits of a Digital Library
 - Creating a Diverse Reading Collection Hyster H65xm Parts Manual
 10. Overcoming Reading Challenges
 - Dealing with Digital Eye Strain
 - Minimizing Distractions
 - Managing Screen Time
 11. Cultivating a Reading Routine Hyster H65xm Parts Manual
 - Setting Reading Goals Hyster H65xm Parts Manual
 - Carving Out Dedicated Reading Time
 12. Sourcing Reliable Information of Hyster H65xm Parts Manual
 - Fact-Checking eBook Content of Hyster H65xm Parts Manual
 - Distinguishing Credible Sources
 13. Promoting Lifelong Learning
 - Utilizing eBooks for Skill Development

- Exploring Educational eBooks
- 14. Embracing eBook Trends
 - Integration of Multimedia Elements
 - Interactive and Gamified eBooks

Hyster H65xm Parts Manual Introduction

In this digital age, the convenience of accessing information at our fingertips has become a necessity. Whether its research papers, eBooks, or user manuals, PDF files have become the preferred format for sharing and reading documents. However, the cost associated with purchasing PDF files can sometimes be a barrier for many individuals and organizations. Thankfully, there are numerous websites and platforms that allow users to download free PDF files legally. In this article, we will explore some of the best platforms to download free PDFs. One of the most popular platforms to download free PDF files is Project Gutenberg. This online library offers over 60,000 free eBooks that are in the public domain. From classic literature to historical documents, Project Gutenberg provides a wide range of PDF files that can be downloaded and enjoyed on various devices. The website is user-friendly and allows users to search for specific titles or browse through different categories. Another reliable platform for downloading Hyster H65xm Parts Manual free PDF files is Open Library. With its vast collection of over 1 million eBooks, Open Library has something for every reader. The website offers a seamless experience by providing options to borrow or download PDF files. Users simply need to create a free account to access this treasure trove of knowledge. Open Library also allows users to contribute by uploading and sharing their own PDF files, making it a collaborative platform for book enthusiasts. For those interested in academic resources, there are websites dedicated to providing free PDFs of research papers and scientific articles. One such website is Academia.edu, which allows researchers and scholars to share their work with a global audience. Users can download PDF files of research papers, theses, and dissertations covering a wide range of subjects. Academia.edu also provides a platform for discussions and networking within the academic community. When it comes to downloading Hyster H65xm Parts Manual free PDF files of magazines, brochures, and catalogs, Issuu is a popular choice. This digital publishing platform hosts a vast collection of publications from around the world. Users can search for specific titles or explore various categories and genres. Issuu offers a seamless reading experience with its user-friendly interface and allows users to download PDF files for offline reading. Apart from dedicated platforms, search engines also play a crucial role in finding free PDF files. Google, for instance, has an advanced search feature that allows users to filter results by file type. By specifying the file type as "PDF," users can find websites that offer free PDF downloads on a specific topic. While downloading Hyster H65xm Parts Manual free PDF files is convenient, its important to note that copyright laws must be respected. Always ensure that the PDF files you download are legally available

for free. Many authors and publishers voluntarily provide free PDF versions of their work, but it's essential to be cautious and verify the authenticity of the source before downloading Hyster H65xm Parts Manual. In conclusion, the internet offers numerous platforms and websites that allow users to download free PDF files legally. Whether it's classic literature, research papers, or magazines, there is something for everyone. The platforms mentioned in this article, such as Project Gutenberg, Open Library, Academia.edu, and Issuu, provide access to a vast collection of PDF files. However, users should always be cautious and verify the legality of the source before downloading Hyster H65xm Parts Manual any PDF files. With these platforms, the world of PDF downloads is just a click away.

FAQs About Hyster H65xm Parts Manual Books

1. Where can I buy Hyster H65xm Parts Manual books? Bookstores: Physical bookstores like Barnes & Noble, Waterstones, and independent local stores. Online Retailers: Amazon, Book Depository, and various online bookstores offer a wide range of books in physical and digital formats.
2. What are the different book formats available? Hardcover: Sturdy and durable, usually more expensive. Paperback: Cheaper, lighter, and more portable than hardcovers. E-books: Digital books available for e-readers like Kindle or software like Apple Books, Kindle, and Google Play Books.
3. How do I choose a Hyster H65xm Parts Manual book to read? Genres: Consider the genre you enjoy (fiction, non-fiction, mystery, sci-fi, etc.). Recommendations: Ask friends, join book clubs, or explore online reviews and recommendations. Author: If you like a particular author, you might enjoy more of their work.
4. How do I take care of Hyster H65xm Parts Manual books? Storage: Keep them away from direct sunlight and in a dry environment. Handling: Avoid folding pages, use bookmarks, and handle them with clean hands. Cleaning: Gently dust the covers and pages occasionally.
5. Can I borrow books without buying them? Public Libraries: Local libraries offer a wide range of books for borrowing. Book Swaps: Community book exchanges or online platforms where people exchange books.
6. How can I track my reading progress or manage my book collection? Book Tracking Apps: Goodreads, LibraryThing, and Book Catalogue are popular apps for tracking your reading progress and managing book collections. Spreadsheets: You can create your own spreadsheet to track books read, ratings, and other details.
7. What are Hyster H65xm Parts Manual audiobooks, and where can I find them? Audiobooks: Audio recordings of books, perfect for listening while commuting or multitasking. Platforms: Audible, LibriVox, and Google Play Books offer a wide

selection of audiobooks.

8. How do I support authors or the book industry? Buy Books: Purchase books from authors or independent bookstores. Reviews: Leave reviews on platforms like Goodreads or Amazon. Promotion: Share your favorite books on social media or recommend them to friends.
9. Are there book clubs or reading communities I can join? Local Clubs: Check for local book clubs in libraries or community centers. Online Communities: Platforms like Goodreads have virtual book clubs and discussion groups.
10. Can I read Hyster H65xm Parts Manual books for free? Public Domain Books: Many classic books are available for free as they're in the public domain. Free E-books: Some websites offer free e-books legally, like Project Gutenberg or Open Library.

Find Hyster H65xm Parts Manual :

~~lennox ventilation installation manual~~

les chinois de tahiti de laversion agrave lassimilation

~~les classes moyennes laquo que saisje raquo ndeg~~

lenel onguard 2006 manual

les anges de lombre

leona lewis illinois directory guide job

leroi air compressor parts manual cl 50

les constitutions de la france laquo que saisje raquo ndeg

length chords secants circle practice

~~lennox xc21 owners manual~~

~~lepervier t0corsaire du roy~~

lenovo x1 carbon user manual

lenovo x230 owners manual

~~ley mower manual~~

lennox g14 pulse furnace parts manual

Hyster H65xm Parts Manual :

die welten von thorgal thorgals jugend band 7 bla - Mar 22 2022

web 2 2 die welten von thorgal thorgals jugend band 7 bla 2020 07 06 ynyr francesca annis als die witwe im netz und alan armstrong als torquil thorgal die welten von thorgal

die welten von thorgal thorgals jugend band 7 bla pdf - Nov 29 2022

web undocumented lives die welten von thorgal thorgals jugend band 8 die welten von thorgal thorgals jugend band 9 die welten von thorgal thorgals jugend band 10 die drei schwestern nach einem leben das nur aus stehlen betrügen und töten bestand stirbt kriss de valnor in einer plötzlichen anwandlung voller tapferkeit und güte

die welten von thorgal thorgals jugend band 7 bla dotnbm - Dec 31 2022

web band 7 die welten von thorgal thorgals jugend ogotai s crown robert silverberg s colonies thorgal die welten von thorgal kriss de valnor 03 einer königin würdig die welten von thorgal thorgals jugend band 11 the invisible fortress family tree 1 sherlock holmes escape room puzzles warship jolly roger thorgal volume 1

die welten von thorgal thorgals jugend band 7 bla stage gapinc - Feb 01 2023

web die welten von thorgal thorgals jugend band 9 raïssa skald undertaker volume 5 the white indian die welten von thorgal thorgals jugend band 8 fruits basket collector s edition das urteil der walküren undertaker volume 1 the gold eater professor zamorra 1034 professor zamorra 1017 thorgal volume 1 child of the stars

die welten von thorgal thorgals jugend band 7 bla copy - Jul 26 2022

web apr 20 2023 thorgal die welten von thorgal die jugend von thorgal 01 die drei schwestern yann 2013 07 lords of creation eando binder 1949 homer ellory awakes in the year 5000 ad after sleeping for 3 000 years and discovers the earth in a state of barbarism he befriends the people of north america who have been conquered by the

die welten von thorgal thorgals jugend band 7 blauzahn - Sep 08 2023

web die welten von thorgal thorgals jugend band 7 blauzahn gebundene ausgabe 13 dezember 2019 von yann autor roman surzhenko illustrator 5 0 5 0 von 5 sternern 8 sternbewertungen buch 7 von 10 die welten von thorgal thorgals jugend alle formate und editionen anzeigen

die welten von thorgal thorgals jugend band 7 blauzahn by - Jul 06 2023

web die welten von thorgal thorgals jugend band 7 blauzahn by yann roman surzhenko may 3rd 2020 die welten von thal thals jugend band 2 das auge odins von yann es herrscht hunger in dem dorf wo der junge skalde thal und seine freundin vergeblich auf die rückkehr des drakkars warten der die auf

die welten von thorgal thorgals jugend 7 blauzahn - Oct 09 2023

web dec 13 2019 band 7 von x 15 00 eur inkl 7 mwst zzgl versand auf den merkzettel weitere titel des autors zeichners die welten von thorgal thorgals jugend 6 der drakkar aus dem eis 14 80 eur die welten von thorgal kriss de valnor 8 der herr der gerechtigkeit 15 00 eur

die welten von thorgal thorgals jugend band 7 bla sylvain - Jun 24 2022

web as this die welten von thorgal thorgals jugend band 7 bla it ends up creature one of the favored book die welten von thorgal thorgals jugend band 7 bla collections that we have this is why you remain in the best website to see the incredible book to have the strange awakening of lazy smurf peyo 2014 05 23

die welten von thorgal thorgals jugend band 7 bla pdf pdf - Apr 22 2022

web sep 25 2023 band 1 der kompass im nebel band 2 die krone des erben band 3 das schwert der macht die welten von thorgal thorgals jugend band 9 yann 2021 10 20 astrolabius lebt auf dem mond band 7 der rote stiefel unglaublich unerwünschter zugriff martin wintersberger 2023 02 06 astrolabius wird zum detektiv

die welten von thorgal thorgals jugend band 7 bla full pdf - Feb 18 2022

web die welten von thorgal thorgals jugend band 10 das auge odins raissa die welten von thorgal thorgals jugend band 8 einer königin würdig professor zamorra 1034 die welten von thorgal thorgals jugend band 7 bla downloaded from ws 1 ps2pdf com by guest jayce garrett batman damned 2018 1 image comics

die welten von thorgal thorgals jugend band 7 blazahn by - Aug 07 2023

web jun 12 2023 this die welten von thorgal thorgals jugend band 7 blazahn by yann roman surzhenko as one of the greater part operating sellers here will entirely be accompanied by by the best selections to review along with handbooks you could take pleasure in the present is die welten von thorgal thorgals jugend band 7 blazahn

die welten von thorgal thorgals jugend band 7 bla copy - Mar 02 2023

web die welten von thorgal thorgals jugend band 7 bla 1 die welten von thorgal thorgals jugend band 7 bla ich vergesse nichts thorgal die welten von thorgal die jugend von thorgal 05 slive thorgal 21 the sacrifice baby prinz professor zamorra 1017 undocumented lives die welten von thorgal thorgals jugend band 10 das

die welten von thorgal thorgals jugend band 3 overdrive - Sep 27 2022

web nov 1 2018 in abwesenheit von gandalf dem verrückten schlägt dessen sohn björn vor thorgal den göttern zu opfern zum glück sichert der fang dreier wale die durch den gesang unseres helden angelockt wurden den dorfbewohnern das Überleben doch entpuppen sich die wale als drei junge frauen die opfer eines fluchs wurden

die welten von thorgal thorgals jugend band 7 bla pdf 2013 - Oct 29 2022

web die welten von thorgal thorgals jugend band 7 bla 3 3 to go after a corpse in apache territory die welten von thorgal thorgals jugend band 9 cinebook thorgals tochter lupine ist ein wahrlich mysteriöses kleines mädchen wie jolan besitzt sie aufgrund ihrer herkunft die seltsame fähigkeit über ihre gedanken mit den tieren zu kommunizieren

die welten von thorgal thorgals jugend band 7 hardcover - Apr 03 2023

web die welten von thorgal thorgals jugend band 7 isbn 10 3962193677 isbn 13 9783962193676 hardcover

[die welten von thorgal thorgals jugend band 7 bla pdf](#) - May 04 2023

web may 4 2023 die welten von thorgal thorgals jugend band 7 bla below ogotai s crown jean van hamme 2013 01 17 in the wild and inhospitable european far north in the land of scandinavian myth and runic legend viking warriors discover a child in a space capsule leif haraldson adopts him and gives him the names of his gods thorgal aegirsson son

[die welten von thorgal thorgals jugend band 7 bla free pdf](#) - Aug 27 2022

web die welten von thorgal thorgals jugend band 7 bla pdf download books die welten von thorgal thorgals jugend band 7 bla pdf book is the book you are looking for by download pdf die welten von thorgal thorgals jugend band 7 bla book you are also motivated to search from other sources jugend 7 jugend blasorchester

die welten von thorgal thorgals jugend band 7 bla - Jun 05 2023

web die welten von thorgal thorgals jugend band 7 bla the master of the mountains dec 13 2020 unable to find a ship to sail north in the middle of winter thorgal sets off by land to reach his old village and bring back a drakkar his trip takes him through the land of saxegaard a ruthless warlord who terrorizes the surrounding country

[free die welten von thorgal thorgals jugend band 7 bla](#) - May 24 2022

web die welten von thorgal thorgals jugend band 7 bla the pollen of monte urticando jul 13 2022 rites of passage and the struggle for survival life is rough for the little marsupilamis thorgal vol 22 i jolan jan 27 2021 jolan has agreed to leave his family and serve manthor after he saved thorgal s life the mysterious

[form 071 hiab boom truck safety checklist pdf equipment](#) - Jul 23 2023

web form 071 hiab boom truck safety checklist free download as word doc doc docx pdf file pdf text file txt or read online for free scribd is the world s largest social reading and publishing site

[hiab truck safety inspection checklist pdf](#) - Dec 16 2022

web hand pallet truck daily inspection checklist mar 29 2021 it is important to ensure that your business is operating in accordance with safety regulations and your machinery or vehicles are running efficiently

branch hiab knuckleboom daily inspection log - Nov 15 2022

web branch hiab knuckleboom truck daily inspection log serial sun mon tue wed thu fri sat ok attn ok attn ok attn ok attn ok attn ok attn operators manual base slewing housing

hiab truck safety inspection checklist pdf blueskywildlife com - Jan 05 2022

web aug 5 2023 one merely said the hiab truck safety inspection checklist pdf is universally compatible considering any devices to read international health and safety at work phil hughes 2013 05 07 the second edition of international health and safety at work has been specially written in simple english for the thousands of students who

a daily checklist to ensure your hiab truck engineeringsydneyblog - Sep 13 2022

web dec 7 2016 check the following things to ensure the crane is operating as it should check that the control levers are self centring with the power take off disengaged check the latches and locks on the outrigger beams ensure that any other attachments are operational and non defective engage the power take off check for full operation and no

[hiab services hiab](#) - Jun 10 2022

web hiab s service promise supports equipment throughout its lifecycle maintaining original performance levels and reliability truck mounted forklifts and hooklifts and skip loaders explore all hiab service and maintenance contract packages original parts guarantee the integrity performance and quality of your equipment with hiab

boom truck hiab inspection checklist pdf off road vehicles - May 21 2023

web boom truck hiab inspection checklist free download as word doc doc pdf file pdf text file txt or read online for free

crane inspection checklist free pdf download safetyculture truck - Jul 11 2022

web jan 31 2023 download freely template this osha crane inspection checklist inspects overhead and gantry cranes and is secondhand to ensure that crane service fulfill with mandated safety regulation by osha download and use this checklist to conduct thorough checks by the crane equipment and own electrical connections

hiab truck safety inspection checklist download only - Aug 12 2022

web hiab truck safety inspection checklist district of columbia truck and bus safety demonstration project final report jun 29 2020 motor fleet safety and security management second edition apr 27 2020 in the almost ten years since the publication of the first edition of motor fleet safety and security

[pre use inspection checklist boom truck pdf crane](#) - Mar 19 2023

web pre use inspection checklist boom truck operator pre use checklist perform prior to each use inspected officer m akbarali note general vehicle condition clear away all collected debris steam clean if necessary check for obvious damage and loose missing broken leaking and or malfunctioning components

hiab truck safety inspection checklist book - Mar 07 2022

web hiab truck safety inspection checklist truck weight and safety inspections feb 26 2022 discusses responsibilities of the state police and the department of motor vehicles with respect to operating the truck weighing and safety inspection stations truck safety regulation inspection and enforcement in virginia jun 20 2021

[hiab check sheet best practice hub](#) - Jan 17 2023

web on the royal albert dock project for multiplex we have introduced a hiab check sheet for the safe operation of hiab vehicles prior to their use on the project the checklist contains a number of requirements that must be met

a brief safety guide for operating hiab cranes - May 09 2022

web aug 9 2019 this outline explains what you need to do to keep your employees safe when operating a crane complying

with loler hiab cranes come under the lifting operations and lifting equipment regulations 1998 loler a set of rules produced by the health and safety executive hse loler covers the planning of your lifting operation making

safe operation of vehicle mounted truck loader cranes construction - Apr 20 2023

web introduction this bulletin provides some general advice about the safe use of truck loader cranes which are often referred to by their commercial name or brand of hiab or palfinger a variety of truck loader cranes are available and they often have different features

figure 5 4 pre shift inspection check sheet hiab - Jun 22 2023

web figure 5 4 pre shift inspection check sheet the moffett pre shift inspection check sheet offers several benefits osha compliance to 29 cfr 1910 178 q 7 examination before placing the forklift into service it helps to ensure consistent forklift and operator safety

hiab truck safety inspection checklist pdf e journal stp - Feb 06 2022

web it is your extremely own period to play reviewing habit accompanied by guides you could enjoy now is hiab truck safety inspection checklist below hiab truck safety inspection checklist 2020 06 06 lillianna kristopher

forklift pre operation inspection checklist hiab hiab crane - Apr 08 2022

web hiabs truck mounted forklift pre operation inspection checklist will help a tmf operator correctly securely operate your moffett tmf

hiab crane inspection - Feb 18 2023

web apr 28 2014 instruction inspect crane to ensure the components listed are free from defect check ok if component is free of defects note the fault under comments if the componet is defective damaged leaking or missing parts do not check ok if the component is not applicable write n a in the comments section component hydraulic

forklift pre operation inspection checklist hiab form 071 hiab - Oct 14 2022

web oct 26 2022 never effort to mount an forklift at perform the transport inspections when the visual or operational inspection indicate immediate safety hazards if an problem is suspected take that forklift out of service and must it inspected transport inspections should include the following mounting build tie downs dump beds kit only kiele and

[forklift pre operation inspection checklist hiab](#) - Aug 24 2023

web truck mounted forklift pre operation inspection checklists are intuitive but we will go through the important steps below to help you get started check fluid levels hydraulic oil coolant and engine oil

[shinto japan guide com](#) - Jun 11 2023

web shinto the way of the gods is the indigenous faith of the japanese people and as old as japan itself it remains japan s major religion alongside buddhism introduction

shinto wikipedia - Oct 15 2023

web shinto the torii gateway to the itsukushima shrine in hirosshima prefecture japan one of the most famous examples of torii in the country 1 torii mark the entrance to shinto shrines and are recognizable symbols of the religion shinto japanese 𐀀𐀁 romanized shintō is a religion originating from japan

bbc religion shinto - Apr 09 2023

web sep 21 2009 core stories of shinto guide to the japanese system of beliefs and traditions known as shinto including history rites of life and ethics

shinto world history encyclopedia - Aug 13 2023

web apr 3 2017 james blake wiener cc by nc sa shinto means way of the gods and it is the oldest religion in japan shinto s key concepts include purity harmony family respect and subordination of the individual before the group the faith has no founder or prophets and there is no major text which outlines its principal beliefs

shinto beliefs gods origins symbols rituals facts - Sep 14 2023

web oct 13 2023 shinto indigenous religious beliefs and practices of japan the word which literally means the way of kami generally sacred or divine power specifically the various gods or deities came into use to distinguish indigenous japanese beliefs from buddhism which had been introduced into japan in the 6th century ce

shinto worship traditions and practices learn religions - May 10 2023

web apr 23 2019 notably shinto has no holy deity no sacred text no founding figures and no central doctrine instead the worship of kami is central to shinto belief kami is the essence of spirit that can be present in all things all life natural phenomena objects and human beings living or deceased can be vessels for kami

shinto asia society - Jul 12 2023

web shinto literally the way of the gods is japan s native belief system and predates historical records the many practices attitudes and institutions that have developed to make up shinto revolve around the japanese land and seasons and their relation with the