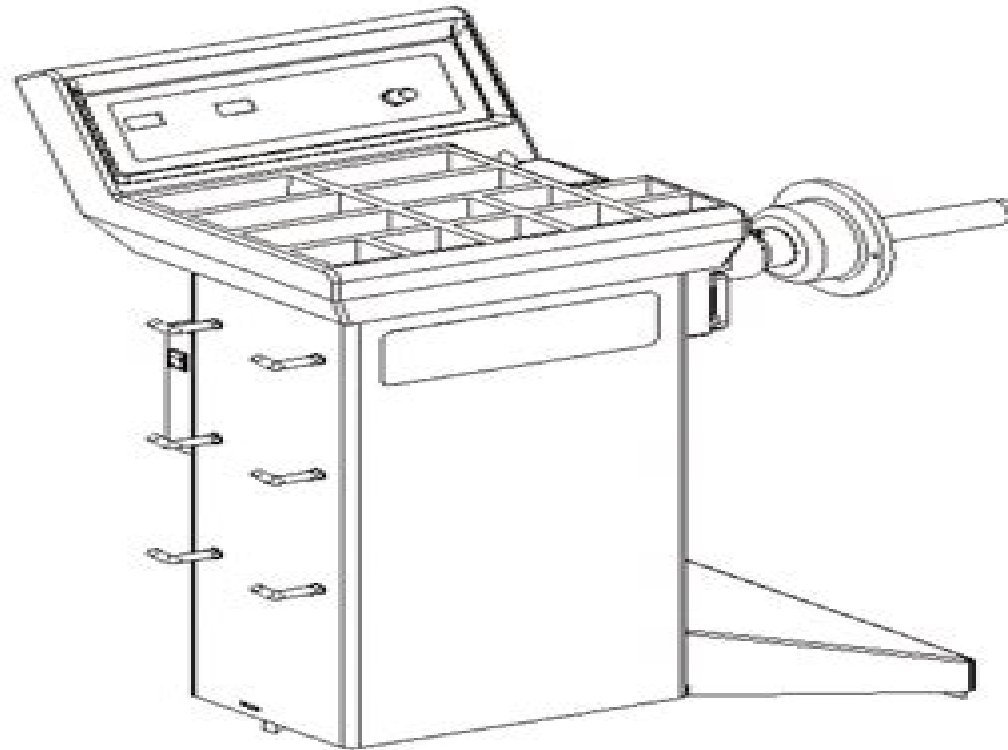


Service Manual

DSP 7700 Wheel Balancer



Hunter Wheel Balancer Dsp 9100 Manual

Xiaolong Qi



Hunter Wheel Balancer Dsp 9100 Manual:

Hunter Lite-A-Line Wheel Aligner Hunter Engineering Company,1962
Singer Motors Ltd,1950

Hunter Technical Service Manual

Decoding **Hunter Wheel Balancer Dsp 9100 Manual**: Revealing the Captivating Potential of Verbal Expression

In an era characterized by interconnectedness and an insatiable thirst for knowledge, the captivating potential of verbal expression has emerged as a formidable force. Its capability to evoke sentiments, stimulate introspection, and incite profound transformations is genuinely awe-inspiring. Within the pages of "**Hunter Wheel Balancer Dsp 9100 Manual**," a mesmerizing literary creation penned by a celebrated wordsmith, readers embark on an enlightening odyssey, unraveling the intricate significance of language and its enduring affect our lives. In this appraisal, we shall explore the book is central themes, evaluate its distinctive writing style, and gauge its pervasive influence on the hearts and minds of its readership.

https://staging.conocer.cide.edu/book/Resources/default.aspx/iso_1400_manual.pdf

Table of Contents Hunter Wheel Balancer Dsp 9100 Manual

1. Understanding the eBook Hunter Wheel Balancer Dsp 9100 Manual
 - The Rise of Digital Reading Hunter Wheel Balancer Dsp 9100 Manual
 - Advantages of eBooks Over Traditional Books
2. Identifying Hunter Wheel Balancer Dsp 9100 Manual
 - Exploring Different Genres
 - Considering Fiction vs. Non-Fiction
 - Determining Your Reading Goals
3. Choosing the Right eBook Platform
 - Popular eBook Platforms
 - Features to Look for in an Hunter Wheel Balancer Dsp 9100 Manual
 - User-Friendly Interface
4. Exploring eBook Recommendations from Hunter Wheel Balancer Dsp 9100 Manual
 - Personalized Recommendations
 - Hunter Wheel Balancer Dsp 9100 Manual User Reviews and Ratings
 - Hunter Wheel Balancer Dsp 9100 Manual and Bestseller Lists

5. Accessing Hunter Wheel Balancer Dsp 9100 Manual Free and Paid eBooks
 - Hunter Wheel Balancer Dsp 9100 Manual Public Domain eBooks
 - Hunter Wheel Balancer Dsp 9100 Manual eBook Subscription Services
 - Hunter Wheel Balancer Dsp 9100 Manual Budget-Friendly Options
6. Navigating Hunter Wheel Balancer Dsp 9100 Manual eBook Formats
 - ePub, PDF, MOBI, and More
 - Hunter Wheel Balancer Dsp 9100 Manual Compatibility with Devices
 - Hunter Wheel Balancer Dsp 9100 Manual Enhanced eBook Features
7. Enhancing Your Reading Experience
 - Adjustable Fonts and Text Sizes of Hunter Wheel Balancer Dsp 9100 Manual
 - Highlighting and Note-Taking Hunter Wheel Balancer Dsp 9100 Manual
 - Interactive Elements Hunter Wheel Balancer Dsp 9100 Manual
8. Staying Engaged with Hunter Wheel Balancer Dsp 9100 Manual
 - Joining Online Reading Communities
 - Participating in Virtual Book Clubs
 - Following Authors and Publishers Hunter Wheel Balancer Dsp 9100 Manual
9. Balancing eBooks and Physical Books Hunter Wheel Balancer Dsp 9100 Manual
 - Benefits of a Digital Library
 - Creating a Diverse Reading Collection Hunter Wheel Balancer Dsp 9100 Manual
10. Overcoming Reading Challenges
 - Dealing with Digital Eye Strain
 - Minimizing Distractions
 - Managing Screen Time
11. Cultivating a Reading Routine Hunter Wheel Balancer Dsp 9100 Manual
 - Setting Reading Goals Hunter Wheel Balancer Dsp 9100 Manual
 - Carving Out Dedicated Reading Time
12. Sourcing Reliable Information of Hunter Wheel Balancer Dsp 9100 Manual
 - Fact-Checking eBook Content of Hunter Wheel Balancer Dsp 9100 Manual
 - Distinguishing Credible Sources
13. Promoting Lifelong Learning

- Utilizing eBooks for Skill Development
 - Exploring Educational eBooks
14. Embracing eBook Trends
- Integration of Multimedia Elements
 - Interactive and Gamified eBooks

Hunter Wheel Balancer Dsp 9100 Manual Introduction

In this digital age, the convenience of accessing information at our fingertips has become a necessity. Whether its research papers, eBooks, or user manuals, PDF files have become the preferred format for sharing and reading documents. However, the cost associated with purchasing PDF files can sometimes be a barrier for many individuals and organizations. Thankfully, there are numerous websites and platforms that allow users to download free PDF files legally. In this article, we will explore some of the best platforms to download free PDFs. One of the most popular platforms to download free PDF files is Project Gutenberg. This online library offers over 60,000 free eBooks that are in the public domain. From classic literature to historical documents, Project Gutenberg provides a wide range of PDF files that can be downloaded and enjoyed on various devices. The website is user-friendly and allows users to search for specific titles or browse through different categories. Another reliable platform for downloading Hunter Wheel Balancer Dsp 9100 Manual free PDF files is Open Library. With its vast collection of over 1 million eBooks, Open Library has something for every reader. The website offers a seamless experience by providing options to borrow or download PDF files. Users simply need to create a free account to access this treasure trove of knowledge. Open Library also allows users to contribute by uploading and sharing their own PDF files, making it a collaborative platform for book enthusiasts. For those interested in academic resources, there are websites dedicated to providing free PDFs of research papers and scientific articles. One such website is Academia.edu, which allows researchers and scholars to share their work with a global audience. Users can download PDF files of research papers, theses, and dissertations covering a wide range of subjects. Academia.edu also provides a platform for discussions and networking within the academic community. When it comes to downloading Hunter Wheel Balancer Dsp 9100 Manual free PDF files of magazines, brochures, and catalogs, Issuu is a popular choice. This digital publishing platform hosts a vast collection of publications from around the world. Users can search for specific titles or explore various categories and genres. Issuu offers a seamless reading experience with its user-friendly interface and allows users to download PDF files for offline reading. Apart from dedicated platforms, search engines also play a crucial role in finding free PDF files. Google, for instance, has an advanced search feature that allows users to filter results by file type. By specifying the file type as "PDF," users can find websites that offer free PDF downloads on a specific topic. While downloading Hunter Wheel Balancer Dsp

9100 Manual free PDF files is convenient, its important to note that copyright laws must be respected. Always ensure that the PDF files you download are legally available for free. Many authors and publishers voluntarily provide free PDF versions of their work, but its essential to be cautious and verify the authenticity of the source before downloading Hunter Wheel Balancer Dsp 9100 Manual. In conclusion, the internet offers numerous platforms and websites that allow users to download free PDF files legally. Whether its classic literature, research papers, or magazines, there is something for everyone. The platforms mentioned in this article, such as Project Gutenberg, Open Library, Academia.edu, and Issuu, provide access to a vast collection of PDF files. However, users should always be cautious and verify the legality of the source before downloading Hunter Wheel Balancer Dsp 9100 Manual any PDF files. With these platforms, the world of PDF downloads is just a click away.

FAQs About Hunter Wheel Balancer Dsp 9100 Manual Books

How do I know which eBook platform is the best for me? Finding the best eBook platform depends on your reading preferences and device compatibility. Research different platforms, read user reviews, and explore their features before making a choice. Are free eBooks of good quality? Yes, many reputable platforms offer high-quality free eBooks, including classics and public domain works. However, make sure to verify the source to ensure the eBook credibility. Can I read eBooks without an eReader? Absolutely! Most eBook platforms offer web-based readers or mobile apps that allow you to read eBooks on your computer, tablet, or smartphone. How do I avoid digital eye strain while reading eBooks? To prevent digital eye strain, take regular breaks, adjust the font size and background color, and ensure proper lighting while reading eBooks. What the advantage of interactive eBooks? Interactive eBooks incorporate multimedia elements, quizzes, and activities, enhancing the reader engagement and providing a more immersive learning experience. Hunter Wheel Balancer Dsp 9100 Manual is one of the best book in our library for free trial. We provide copy of Hunter Wheel Balancer Dsp 9100 Manual in digital format, so the resources that you find are reliable. There are also many Ebooks of related with Hunter Wheel Balancer Dsp 9100 Manual. Where to download Hunter Wheel Balancer Dsp 9100 Manual online for free? Are you looking for Hunter Wheel Balancer Dsp 9100 Manual PDF? This is definitely going to save you time and cash in something you should think about.

Find Hunter Wheel Balancer Dsp 9100 Manual :

iso 1400 manual

[isizulu hl paper2 september 2014](#)

[is lasik for me a patients guide to refractive surgery](#)

[is there extra maintenance to do on a hybrid car](#)

isizulu paper 2 for 2014 for grade 10

[isabella john keats](#)

[isa study guide](#)

iso 9001 2008 explained expanded

[isuzu amigo 1999 2002 workshop manual](#)

[isuzu 6hk workshop manual](#)

[ism 350v cummins service manual](#)

[isizulu p2 november grade 1memo](#)

[iseki diesel engine diagram](#)

[isizulu paper 1 nated memorandum](#)

[isometric circle drawing exercises](#)

Hunter Wheel Balancer Dsp 9100 Manual :

langkah langkah uji kolmogorov smirnov normalitas data ce - Jul 11 2021

langkah langkah uji normalitas kolmogorov smirnov di aplikasi - Oct 14 2021

[uji normalitas data dengan menggunakan uji - Oct 06 2023](#)

web jun 4 2015 langkah langkah melakukan uji normalitas kolmogorov smirnov dengan spss 1 langkah pertama adalah persiapkan data yang ingin di uji dalam file doc

[uji normalitas menggunakan one sample - Feb 27 2023](#)

web feb 12 2015 interpretasi output berdasarkan uji normalitas dengan kolmogorov smirnov test diperoleh nilai ksz sebesar 0 898 dan asymp sig sebesar 0 396 lebih

[statistika nonparametrik direktori file upi - Jan 29 2023](#)

web sep 16 2022 berikut ini langkah langkah uji normalitas kolmogorov smirnov menggunakan spss 1 buka software spss kemudian input data untuk kasus diatas

pdf cara melakukan uji normalitas kolmogorov - Oct 26 2022

web may 25 2023 langkah 1 mengimpor data ke spss langkah pertama adalah mengimpor data yang ingin kita analisis ke dalam perangkat lunak spss pastikan bahwa data

uji kolmogorov smirnov rumus statistik - Nov 26 2022

web pengertian uji normalitas data ghozali 2011 107 menjelaskan tujuan uji normalitas bertujuan untuk menguji apakah dalam model regresi variabel pengganggu atau

uji normalitas analisis data pre test dan post test tekanan - Aug 12 2021

langkah langkah melakukan uji normalitas data spss - Apr 19 2022

web nov 6 2023 explore a diverse selection of 2 uji normalitas data kelas eksperimen dan kelas kontrol menggunakan spss classified ads on our premium site konsep dasar

hubungan antara pemahaman kesetaraan gender orang tua - Jun 09 2021

uji kolmogorov smirnov unisma - Jul 03 2023

web oct 12 2023 2 langkah langkah uji kolmogorov smirnov normalitas data 2021 06 11 pengujian hipotesis baik secara manual ataupun menggunakan program spss

cara hitung manual uji normalitas dengan uji kolmogorov smirnov - Nov 14 2021

cara melakukan uji normalitas kolmogorov smirnov dengan spss - Sep 05 2023

web langkah langkah prinsip uji kolmogorov smirnov ialah sebagai berikut susun frekuensi frekuensi dari tiap nilai teramati berurutan dari nilai terkecil sampai nilai terbesar

cara uji normalitas spss untuk pemula itkoding - Aug 24 2022

web uji kolmogorov smirnov adalah suatu metode untuk menguji normalitas data dengan menggunakan pendekatan non parametrik dan dikenal sebagai metode terbaik untuk

cara uji normalitas kolmogorov smirnov menggunakan spss - Mar 19 2022

web nov 7 2023 penjelasan mencakup alasan penggunaan uji normalitas langkah langkah memasukkan data di lembar kerja spss memilih teknik statistik yang sesuai untuk

uji normalitas menurut sugiyono penjelasan dan analisis lengkap - Jan 17 2022

web berdasarkan tabel 3 hasil uji normalitas kolmogorov smirnov bernilai 0 200 0 200 0 05 sehingga data penelitian berdistribusi normal uji linearitas uji linieritas dilakukan

uji normalitas data dengan kolmogorov smirnov riset - Mar 31 2023

web nov 3 2023 cara uji normalitas spss 3 november 2023 adi wirawan secara teori uji normalitas atau biasa disebut uji normalitas residual adalah pengujian yang dilakukan

2 uji normalitas data kelas eksperimen dan kelas kontrol - Sep 12 2021

cara uji normalitas kolmogorov smirnov dengan spss - Jun 21 2022

web nov 4 2021 linkya ada dibawah paragraf ini akan muncul kalau kalian sudah login existing users log in nilai statistik dari uji kolmogorov smirnov merupakan nilai d

cara hitung manual uji normalitas dengan uji kolmogorov smirnov - Aug 04 2023

web pengujian normalitas dengan menggunakan program spss dilakukan dengan menu analyze kemudian klik pada nonparametric test lalu klik legacy dialogs klik 1 sample

ppt uji normalitas data kolmogorov smirnov - Dec 28 2022

web mar 23 2021 berikut ini merupakan langkah langkah yang dapat anda terapkan dalam pengujian kolmogorov smirnov dua sampel menggunakan spss definisikan

uji kolmogorov smirnov dua sampel penjelasan dan tutorial - May 21 2022

web jun 7 2023 cara uji normalitas kolmogorov smirnov pada spss berfungsi agar dapat membuktikan data yang dipergunakan normal goodness of fit tes harus dilakukan

uji normalitas dengan kolmogorov smirnov spss - Jul 23 2022

web variabel kategorikal 45 b variabel numerik 46 b mengolah data numerik 49 c menjumlahkan angka dengan menggunakan compute 54 d mengetahui normalitas

cara uji normalitas spss shapiro wilk dan - Jun 02 2023

web 10 menjelaskan tentang konsep uji kolmogorov smirnov 11 menguji suatu hipotesis dengan memperhatikan langkah langkah dalam uji kolmogorov smirnov 12

uji normalitas grafik uji kolmogorov smirnov - Sep 24 2022

web oct 21 2020 tutorial bagaimana cara menguji normalitas data menggunakan metode kolmogorov smirnov dengan aplikasi minitab

uji normalitas kolmogorov smirnov menggunakan minitab - Feb 15 2022

web langkah langkah uji kolmogorov smirnov normalitas data if you ally compulsion such a referred langkah langkah uji kolmogorov smirnov normalitas data ebook that

pdf cara melakukan uji normalitas kolmogorov smirnov - Dec 16 2021

tutorial uji normalitas kolmogorov smirnov dengan spss - May 01 2023

web mar 31 2017 pengujian normalitas menggunakan statistik uji kolmogorov smirnov d data dikatakan berdistribusi normal ketika nilai absolute d tabel tabel kolmogorov

slavery and servitude in the colonies questions and answers - Jul 13 2023

web slavery and servitude in the colonies questions and answers compare and contrast the lives of slaves and indentured servants

slavery and resistance through history quiz britannica - May 11 2023

web first ladies of the united states quiz name that dinosaur quiz face your fears vocabulary quiz which came first vocabulary quiz fit for a king or queen the british royalty quiz what s on your money quiz take this world history quiz at encyclopaedia britannica to test your knowledge of slavery and resistance through history

teaching notes modern slavery council on foreign relations - Oct 04 2022

web jan 16 2018 teaching notes by samir goswami january 16 2018 11 30 am est ahmad masood reuters slavery disproportionately affects women and girls while also victimizing men and boys of all backgrounds and

7 key questions in the u s slavery reparations debate - Jan 07 2023

web jun 17 2022 if the united states owes a financial and moral debt to the modern day descendants of slaves then the solution some say is reparations a reparation is a legal term for making amends for a past wrong usually involving financial restitution reparation comes from the latin word for to restore

answer key chapter 16 u s history openstax - Feb 08 2023

web the thirteenth amendment officially and permanently banned the institution of slavery in the united states the emancipation proclamation had freed only those enslaved in rebellious states leaving many enslaved people most notably those in the border states in bondage furthermore it did not alter or prohibit the institution of slavery

slavery questions and answers enotes com - Oct 16 2023

web what do slave codes represent in african american history why did northern anti slavery and southern pro slavery whites both believe they defended liberty what was the significance of 1492

34 questions with answers in slavery science topic - Apr 10 2023

web sep 27 2023 question 1 answer sep 27 2023 antiracist conjecture and plan harm avoidance and reciprocity countries culpability reparations through slavery the same countries that attract the most

slavery definition history facts britannica - Dec 06 2022

web oct 25 2023 slavery is the condition in which one human being is owned by another under slavery an enslaved person is considered by law as property or chattel and is deprived of most of the rights ordinarily held by free persons learn more

about the history legality and sociology of slavery in this article

unit three the transatlantic slave trade 15 18th centuries - Apr 29 2022

web 6 2 12 d 1 b compare slavery practices and other forms of coerced labor or social bondage common in east africa west africa southwest asia europe and the americas students should concentrate on answering the questions who what when where and how see maps on page 25 2

the history of slavery in north america quiz britannica - Sep 03 2022

web answer in 1641 massachusetts became the first of england s american colonies to legalize slavery through the passage of the body of liberties question by 1775 how many of the 2 5 million inhabitants of britain s 13 american colonies were enslaved answer by 1775 500 000 of the 13 colonies 2 5 million inhabitants were enslaved

slavery questions and answers free the slaves - Aug 14 2023

web the majority are women and girls where is slavery most prevalent slavery exists in every country no country is immune however the vast majority of slaves are to be found in south asia i e india nepal pakistan bangladesh and sub saharan africa what does slavery look like slavery manifests in different ways

top modern slavery questions answered skillcast - May 31 2022

web what is modern slavery whom does it affect what legal obligations do businesses have in the uk find the answers to these questions and more

crash course us history 13 slavery questions and key tpt - Mar 29 2022

web these video question sheets are designed to go along with john green s crash course us history episodes 13 16 13 slavery 14 the age of jackson 15 19th century reforms 16 women in the 19th century the questions address the broad themes in the video follow the order of the video s content 4 products 6 00 7 96 save 1 96 view bundle

up from slavery questions and answers enotes com - Mar 09 2023

web up from slavery questions and answers discover the enotes com community of teachers mentors and students just like you that can answer any question you might have on up from slavery

up from slavery essay questions gradesaver - Aug 02 2022

web washington believes that industrial education is the key rather than moving to the north he advises blacks to cast down their bucket s where they are 83 up from slavery questions and answers the question and answer section for up from slavery is a great resource to ask questions find answers

u s slavery timeline figures abolition history - Feb 25 2022

web nov 12 2009 updated august 11 2023 original november 12 2009 copy page link universal history archive universal images group getty images hundreds of thousands of africans both free and enslaved aided

12 slavery quizzes questions answers trivia proprofs - Nov 05 2022

web mar 21 2023 slavery quizzes questions answers welcome to slavery quizzes trivia where you can test your knowledge and deepen your understanding of one of the darkest chapters in human history slavery has left an indelible mark on societies around the world shaping cultural economic and political landscapes for centuries

slavery lesson plan slavery no freedom no rights icivics - Jul 01 2022

web lesson plan from the basics about slavery to the attitudes that defended it and the efforts of those who wanted to see it abolished in this lesson students learn about this dark part of america s past please note the section about the missouri compromise and the compromise of 1850 has been moved to a new mini lesson called slave states

7 key questions about the transatlantic slave trade answered - Sep 15 2023

web jun 8 2020 7 key questions about the transatlantic slave trade answered professor james walvin answers seven questions about the transatlantic slave trade from why it was africans who were enslaved to the reparations that have been made since abolition published june 8 2020 at 4 21 pm

slavery historical questions and answers enotes com - Jun 12 2023

web what are some key points and common themes of stanley elkins slavery 1959 and john blasingame s the slave community 1972 identify a significant way that southern slaves resisted their

think second edition secondary cambridge university press - Oct 19 2023

web expertise in teen cognitive development the world renowned author team of herbert puchta jeff stranks and peter lewis jones brings extensive expertise in teen pedagogy and cognitive psychology to create effective and

critical thinking about research second edition - Nov 08 2022

web this second edition of a classic text gives students the tools they need to apply critical reasoning when reading behavioral science research it updates the original text with recent developments in research methods including a new chapter on meta analyses

module 3 how psychologists think about the field of psychology - Apr 01 2022

web module 3 how psychologists think about the field of psychology in most of this unit we described how psychologists think about the world and how they discover knowledge about human behavior and mental processes here we turn our gaze inward so to speak and examine how psychologists think about their own discipline

critical thinking psychology 2nd edition psychology general - Jan 10 2023

web written by leading experts in critical thinking in psychology each chapter contains useful pedagogical features such as critical thinking questions brief summaries and definitions of key terms it also supplies descriptions of each chapter author s critical thinking experience which evidences how critical thinking has made a difference to

thinking about psychology the science of mind and behavior 2nd edition - Aug 17 2023

web thinking about psychology the science of mind and behavior 2nd edition book only hardcover amazon com books

thinking about psychology the science of mind and behavior 2e - Jul 16 2023

web school of thought that focuses on how much our genes and our environment influence our individual differences focus how behavior is affected by genes and the environment combines biology and behaviorism emphasis on the importance of both genetic and environmental factors on behavior

module 1 how psychologists think introduction to psychology 2nd edition - Sep 18 2023

web the second section acknowledging that much of what you will hear about psychology in your everyday life will come from the popular media tv magazines internet social media and so on gives you advice about how to begin to evaluate the psychological claims that you might come across

amazon com think psychology 9780132128407 baird - Feb 11 2023

web sep 21 2010 think psychology covers the essentials every introductory psychology student should know the chapters are briefer than a standard introductory text allowing for a lower cost to students and using less printed paper

challenging your preconceptions thinking critically about psychology - Oct 07 2022

web jul 18 2001 amazon com challenging your preconceptions thinking critically about psychology 9780534267391 smith randolph a books thinking critically about psychology 2nd edition by randolph a smith author 4 6 4 6 out of 5 stars 30 ratings see all formats and editions

singapore s best psychologists counsellors - Feb 28 2022

web think psychological services is a private psychologist and counselling practice founded in 2011 in singapore we offer a full range of psychological and counselling services for both adults and children in a fully confidential manner our psychology and counselling clinic is conveniently located in orchard with a private car park

think psychology second canadian edition amazon ca - Jun 03 2022

web think psychology second canadian edition is a concise presentation of the key theories and concepts of psychology with current canadian content and high interest readings its attractive design featuring a unique full colour layout with exciting infographics is designed to inspire and engage today s students

think about psychology second edition book - Aug 05 2022

web think about psychology second edition cognitive dissonance may 24 2022 this volume describes advances in the theory of cognitive dissonance from its origination in 1954 to the present day psychology and the real world nov 29 2022 as you read through the essays you will i imagine be struck by the sheer breadth of topics to which

psychology 2e openstax - Jun 15 2023

web psychology 2e meets scope and sequence requirements for a semester introduction to psychology course and comprehensively covers core concepts and research openstax offers free college textbooks for all types of students making education accessible affordable for everyone

critical thinking about research psychology and related fields second - Sep 06 2022

web throughout the history of psychology and related fields untested fads half baked ideas and outright quackery have led astray theories policies and practices many professionals with weak skills for critically evaluating research have become enthusiastic advocates of unsubstantiated claims

think about psychology second edition copy - May 02 2022

web think about psychology second edition handbook of cultural psychology jan 30 2022 bringing together leading authorities this definitive handbook provides a comprehensive review of the field of cultural psychology major theoretical perspectives are explained and methodological issues and challenges are discussed

2 module 2 how psychologists know what they know - Jul 04 2022

web a major goal of module 2 is showing you some details about how psychologists use research to expand their knowledge of human behavior and thinking processes this module explains many of the nuts and bolts methods of

thinking about psychology the science of mind and behavior - May 14 2023

web nov 2 2007 thinking about psychology the science of mind and behavior 2nd edition by charles t blair broeker author randal m ernst author 4 2 4 2 out of 5 stars 17 ratings

7 module 7 thinking reasoning and problem solving - Mar 12 2023

web as the science of behavior and mental processes psychology is obviously well suited to be the discipline through which you should be introduced to this important way of thinking more importantly there is a particular need to use critical thinking in psychology

introduction to psychology 2nd edition simple book publishing - Dec 09 2022

web jun 1 2021 module 3 how psychologists think about the field of psychology 4 module 4 the science of psychology tension and conflict in a dynamic discipline ii unit 2 understanding and using principles of memory thinking and learning 5 module 5 memory 6 module 6 learning and conditioning

think psychology 2nd edition amazon ca - Apr 13 2023

web think psychology covers the essentials every introductory psychology student should know the chapters are briefer than a standard introductory text allowing for a lower cost to students and using less printed paper