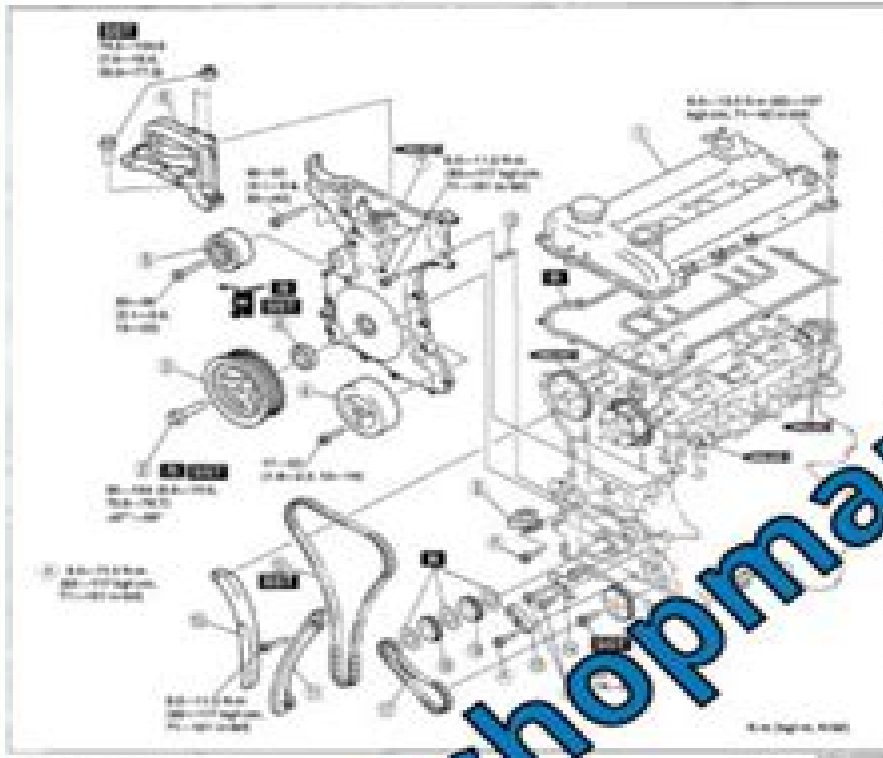


Mazda 3 2004-2009 Workshop Manual



1. Crankshaft (Mazda 100-112)	10. Crankshaft pin lock nut (Mazda 100-125)
2. Crankshaft pin (Mazda 100-113)	11. Crankshaft pin lock washer (Mazda 100-126)
3. Crankshaft pin nut (Mazda 100-114)	12. Crankshaft pin lock nut (Mazda 100-127)
4. Crankshaft pin washer (Mazda 100-115)	13. Crankshaft pin lock washer (Mazda 100-128)
5. Crankshaft pin lock washer (Mazda 100-116)	14. Crankshaft pin lock nut (Mazda 100-129)
6. Crankshaft pin lock nut (Mazda 100-117)	15. Crankshaft pin lock washer (Mazda 100-130)
7. Crankshaft pin lock washer (Mazda 100-118)	16. Crankshaft pin lock nut (Mazda 100-131)
8. Crankshaft pin lock nut (Mazda 100-119)	
9. Crankshaft pin lock washer (Mazda 100-120)	
10. Crankshaft pin lock nut (Mazda 100-121)	
11. Crankshaft pin lock washer (Mazda 100-122)	
12. Crankshaft pin lock nut (Mazda 100-123)	
13. Crankshaft pin lock washer (Mazda 100-124)	
14. Crankshaft pin lock nut (Mazda 100-125)	
15. Crankshaft pin lock washer (Mazda 100-126)	
16. Crankshaft pin lock nut (Mazda 100-127)	
17. Crankshaft pin lock washer (Mazda 100-128)	
18. Crankshaft pin lock nut (Mazda 100-129)	
19. Crankshaft pin lock washer (Mazda 100-130)	
20. Crankshaft pin lock nut (Mazda 100-131)	

26. Install the exhaust camshaft sprocket.

Caution

- Do not tighten the camshaft sprocket installation bolt at this stage. Verify the valve timing before performing the bolt tightening.

26. Install the **BBT** on the camshaft as shown in the figure.
26. Remove the upper timing cover. Remove the front cover upper plug hole.
26. Rotate the crankshaft clockwise two turns and repeat the valve timing.
26. Repeat the valve timing and verify that the top of the piston crown of the compression stroke is in contact with the weight contacts the BBT.

26. Tighten the exhaust camshaft using a wrench on the camshaft sprocket, and tighten the sprocket installation bolt.

Tightening torque

88–75 N·m (7.3–7.8 kgf·m, 64–55 ft·lb)

26. Remove the **BBT** from the camshaft.
26. Remove the **BBT** installed in the cylinder block cover blind plug hole.
26. Rotate the crankshaft clockwise two turns and repeat the valve timing.
 - If it is not aligned, repeat the procedure.
26. Apply the stroke marker and install the engine front cover upper blind plug.

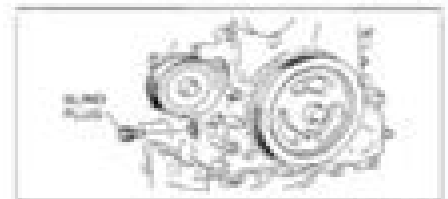
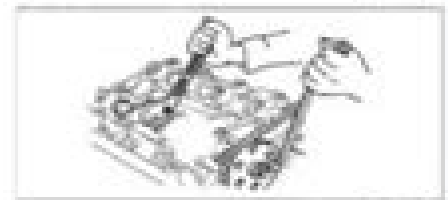
Tightening torque

8.0–11.5 N·m (0.8–1.17 kgf·m, 71–101 in·lb)

27. Install the cylinder block lower blind plug.

Tightening torque

18–22 N·m (1.8–2.2 kgf·m, 14–16 ft·lb)



workshopmanuals.org

Mazda3 Workshop Service Manual Break

Lauren Gardner



Mazda3 Workshop Service Manual Break:

Unveiling the Magic of Words: A Overview of "**Mazda3 Workshop Service Manual Break**"

In a global defined by information and interconnectivity, the enchanting power of words has acquired unparalleled significance. Their ability to kindle emotions, provoke contemplation, and ignite transformative change is actually awe-inspiring. Enter the realm of "**Mazda3 Workshop Service Manual Break**," a mesmerizing literary masterpiece penned by way of a distinguished author, guiding readers on a profound journey to unravel the secrets and potential hidden within every word. In this critique, we shall delve to the book is central themes, examine its distinctive writing style, and assess its profound affect the souls of its readers.

https://staging.conocer.cide.edu/About/virtual-library/Download_PDFS/motion%20guided%20and%20study%20answers.pdf

Table of Contents Mazda3 Workshop Service Manual Break

1. Understanding the eBook Mazda3 Workshop Service Manual Break
 - The Rise of Digital Reading Mazda3 Workshop Service Manual Break
 - Advantages of eBooks Over Traditional Books
2. Identifying Mazda3 Workshop Service Manual Break
 - Exploring Different Genres
 - Considering Fiction vs. Non-Fiction
 - Determining Your Reading Goals
3. Choosing the Right eBook Platform
 - Popular eBook Platforms
 - Features to Look for in an Mazda3 Workshop Service Manual Break
 - User-Friendly Interface
4. Exploring eBook Recommendations from Mazda3 Workshop Service Manual Break
 - Personalized Recommendations
 - Mazda3 Workshop Service Manual Break User Reviews and Ratings
 - Mazda3 Workshop Service Manual Break and Bestseller Lists

5. Accessing Mazda3 Workshop Service Manual Break Free and Paid eBooks
 - Mazda3 Workshop Service Manual Break Public Domain eBooks
 - Mazda3 Workshop Service Manual Break eBook Subscription Services
 - Mazda3 Workshop Service Manual Break Budget-Friendly Options
6. Navigating Mazda3 Workshop Service Manual Break eBook Formats
 - ePub, PDF, MOBI, and More
 - Mazda3 Workshop Service Manual Break Compatibility with Devices
 - Mazda3 Workshop Service Manual Break Enhanced eBook Features
7. Enhancing Your Reading Experience
 - Adjustable Fonts and Text Sizes of Mazda3 Workshop Service Manual Break
 - Highlighting and Note-Taking Mazda3 Workshop Service Manual Break
 - Interactive Elements Mazda3 Workshop Service Manual Break
8. Staying Engaged with Mazda3 Workshop Service Manual Break
 - Joining Online Reading Communities
 - Participating in Virtual Book Clubs
 - Following Authors and Publishers Mazda3 Workshop Service Manual Break
9. Balancing eBooks and Physical Books Mazda3 Workshop Service Manual Break
 - Benefits of a Digital Library
 - Creating a Diverse Reading Collection Mazda3 Workshop Service Manual Break
10. Overcoming Reading Challenges
 - Dealing with Digital Eye Strain
 - Minimizing Distractions
 - Managing Screen Time
11. Cultivating a Reading Routine Mazda3 Workshop Service Manual Break
 - Setting Reading Goals Mazda3 Workshop Service Manual Break
 - Carving Out Dedicated Reading Time
12. Sourcing Reliable Information of Mazda3 Workshop Service Manual Break
 - Fact-Checking eBook Content of Mazda3 Workshop Service Manual Break
 - Distinguishing Credible Sources
13. Promoting Lifelong Learning

- Utilizing eBooks for Skill Development
 - Exploring Educational eBooks
14. Embracing eBook Trends
- Integration of Multimedia Elements
 - Interactive and Gamified eBooks

Mazda3 Workshop Service Manual Break Introduction

Free PDF Books and Manuals for Download: Unlocking Knowledge at Your Fingertips In today's fast-paced digital age, obtaining valuable knowledge has become easier than ever. Thanks to the internet, a vast array of books and manuals are now available for free download in PDF format. Whether you are a student, professional, or simply an avid reader, this treasure trove of downloadable resources offers a wealth of information, conveniently accessible anytime, anywhere. The advent of online libraries and platforms dedicated to sharing knowledge has revolutionized the way we consume information. No longer confined to physical libraries or bookstores, readers can now access an extensive collection of digital books and manuals with just a few clicks. These resources, available in PDF, Microsoft Word, and PowerPoint formats, cater to a wide range of interests, including literature, technology, science, history, and much more. One notable platform where you can explore and download free Mazda3 Workshop Service Manual Break PDF books and manuals is the internet's largest free library. Hosted online, this catalog compiles a vast assortment of documents, making it a veritable goldmine of knowledge. With its easy-to-use website interface and customizable PDF generator, this platform offers a user-friendly experience, allowing individuals to effortlessly navigate and access the information they seek. The availability of free PDF books and manuals on this platform demonstrates its commitment to democratizing education and empowering individuals with the tools needed to succeed in their chosen fields. It allows anyone, regardless of their background or financial limitations, to expand their horizons and gain insights from experts in various disciplines. One of the most significant advantages of downloading PDF books and manuals lies in their portability. Unlike physical copies, digital books can be stored and carried on a single device, such as a tablet or smartphone, saving valuable space and weight. This convenience makes it possible for readers to have their entire library at their fingertips, whether they are commuting, traveling, or simply enjoying a lazy afternoon at home. Additionally, digital files are easily searchable, enabling readers to locate specific information within seconds. With a few keystrokes, users can search for keywords, topics, or phrases, making research and finding relevant information a breeze. This efficiency saves time and effort, streamlining the learning process and allowing individuals to focus on extracting the information they need. Furthermore, the availability of free PDF books and manuals fosters a culture of continuous learning. By removing financial barriers, more people can access educational resources and pursue lifelong

learning, contributing to personal growth and professional development. This democratization of knowledge promotes intellectual curiosity and empowers individuals to become lifelong learners, promoting progress and innovation in various fields. It is worth noting that while accessing free Mazda3 Workshop Service Manual Break PDF books and manuals is convenient and cost-effective, it is vital to respect copyright laws and intellectual property rights. Platforms offering free downloads often operate within legal boundaries, ensuring that the materials they provide are either in the public domain or authorized for distribution. By adhering to copyright laws, users can enjoy the benefits of free access to knowledge while supporting the authors and publishers who make these resources available. In conclusion, the availability of Mazda3 Workshop Service Manual Break free PDF books and manuals for download has revolutionized the way we access and consume knowledge. With just a few clicks, individuals can explore a vast collection of resources across different disciplines, all free of charge. This accessibility empowers individuals to become lifelong learners, contributing to personal growth, professional development, and the advancement of society as a whole. So why not unlock a world of knowledge today? Start exploring the vast sea of free PDF books and manuals waiting to be discovered right at your fingertips.

FAQs About Mazda3 Workshop Service Manual Break Books

How do I know which eBook platform is the best for me? Finding the best eBook platform depends on your reading preferences and device compatibility. Research different platforms, read user reviews, and explore their features before making a choice. Are free eBooks of good quality? Yes, many reputable platforms offer high-quality free eBooks, including classics and public domain works. However, make sure to verify the source to ensure the eBook credibility. Can I read eBooks without an eReader? Absolutely! Most eBook platforms offer web-based readers or mobile apps that allow you to read eBooks on your computer, tablet, or smartphone. How do I avoid digital eye strain while reading eBooks? To prevent digital eye strain, take regular breaks, adjust the font size and background color, and ensure proper lighting while reading eBooks. What the advantage of interactive eBooks? Interactive eBooks incorporate multimedia elements, quizzes, and activities, enhancing the reader engagement and providing a more immersive learning experience. Mazda3 Workshop Service Manual Break is one of the best book in our library for free trial. We provide copy of Mazda3 Workshop Service Manual Break in digital format, so the resources that you find are reliable. There are also many Ebooks of related with Mazda3 Workshop Service Manual Break. Where to download Mazda3 Workshop Service Manual Break online for free? Are you looking for Mazda3 Workshop Service Manual Break PDF? This is definitely going to save you time and cash in something you should think about.

Find Mazda3 Workshop Service Manual Break :

motion guided and study answers

~~mosby39s essentials for nursing assistants 4th edition workbook answers~~

~~[mothers union knitting patterns](#)~~

motorola atrix 2 quick start guide

~~[motorokr user guide](#)~~

~~motherboard cpu socket pin repair~~

mosby s medical surgical nursing test bank

~~mother teresa acrostic poem for kids~~

~~*motiver sans hurler*~~

motor manual volvo penta 1966

~~[motor mack e7 manual](#)~~

motorcycle trailers for sale

~~*mothering magazine submission guidelines*~~

~~*motor vehicle examiner study guide*~~

~~motorcraft alternators pin identification~~

Mazda3 Workshop Service Manual Break :

girl on fire quotes by cara alwill leyba goodreads - Sep 10 2022

web 1 likes like when we are not chosen we feel bad when we are chosen even by idiots we feel good we need to unlearn this imprisonment not dissect and analyze it just completely unlearn it cara alwill leyba girl on fire how to choose yourself burn the rule book and blaze your own trail in life and business 0 likes like

~~[pdf epub girl on fire how to choose yourself burn free](#)~~ - Jul 08 2022

web details e book girl on fire how to choose yourself burn the rule book and blaze your own trail in life and business author s cara alwill leyba title girl on fire how to choose yourself burn the rule book and blaze your own trail in life and business rating 4 7 from 5 stars 1183 reviews isbn 10 0692187510

b o o k girl on fire how to choose yourself burn the rule - Feb 03 2022

web pdf download girl on fire how to choose yourself burn the rule book and blaze your own trail in life and business read girl on fire how to choose yourself burn the rule book and blaze your own trail in life and business best seller girl on fire how

to choose yourself burn the rule book and blaze your own trail in life and business

girl on fire how to choose yourself burn the rule book and - Jun 19 2023

web nov 8 2019 *girl on fire how to choose yourself burn the rule book and blaze your own trail in life and business* cara

alwill leyba passionista publishing nov 8 2019 business economics 168 pages

girl on fire how to choose yourself burn the rule book and - May 18 2023

web nov 7 2019 *girl on fire how to choose yourself burn the rule book and blaze your own trail in life and business* kindle

edition from the bestselling author of *girl code* cara alwill leyba delivers *girl on fire* the long awaited follow up

girl on fire how to choose yourself burn the rule book and - Apr 17 2023

web amazon com *girl on fire how to choose yourself burn the rule book and blaze your own trail in life and business* audible

audio edition cara alwill leyba cara alwill passionista publishing audible books originals audible books originals relationships

parenting personal development personal development personal

pdf epub girl on fire how to choose yourself burn the rule - Oct 11 2022

web aug 24 2022 brief summary of book *girl on fire how to choose yourself burn the rule book and blaze your own trail in*

life and business by cara alwill leyba here is a quick description and cover image of book *girl on fire how to choose yourself*

burn the rule book and blaze your own trail in life and business written by cara alwill

girl on fire how to choose yourself burn the rule book and - Jan 02 2022

web *girl on fire how to choose yourself burn the rule book and blaze your own trail in life and business* amazon com br livros

inglês e outras línguas administração negócios e economia kindle r 0 00 ou r 24 99 para comprar capa comum r 71 37 outros

novo a partir de r 71 37 comprar novo r 71 37

girl on fire how to choose yourself burn the rule book and - Nov 12 2022

web aug 19 2021 from the best selling author of *girl code* cara alwill leyba delivers *girl on fire* the long awaited follow up

fans have been waiting for the self publishing queen started this conversation four years ago with *girl code*

girl on fire how to choose yourself burn the rule book and - Feb 15 2023

web nov 8 2019 *girl on fire how to choose yourself burn the rule book and blaze your own trail in life and business* buy

online at best price in ksa souq is now amazon sa alwill leyba cara books

download pdf girl on fire how to choose yourself burn the rule - Mar 04 2022

web jun 23 2020 download pdf *girl on fire how to choose yourself burn the rule book and blaze your own trail in life and*

business kindle *girl on fire how to choose yourself burn the rule book and blaze your own trail in life and business* download

and read online download ebook pdf ebook epub ebooks

girl on fire how to choose yourself burn the rule book and - Apr 05 2022

web girl on fire how to choose yourself burn the rule book and blaze your own trail in life and business english edition ebook
alwill leyba cara amazon com mx tienda kindle

[girl on fire how to choose yourself burn the rule book and](#) - Mar 16 2023

web girl on fire how to choose yourself burn the rule book and blaze your own trail in life and business alwill leyba cara
amazon com tr kitap

[girl on fire how to choose yourself burn the rule book and](#) - Jun 07 2022

web nov 7 2019 girl on fire how to choose yourself burn the rule book and blaze your own trail in life and business english
edition kindle

girl on fire by cara alwill leyba book review the invisible - May 06 2022

web oct 2 2020 book summary and review career career advice girl on fire how to choose yourself burn the rule book and
blaze your own trail in life and business by cara alwill leyba avil beckford october 2 facebook twitter girl on fire by cara alwill
leyba demonstrates why it s important to choose yourself girl on fire

girl on fire how to choose yourself burn the rule book and - Jan 14 2023

web buy girl on fire how to choose yourself burn the rule book and blaze your own trail in life and business by alwill leyba
cara isbn 9780692187517 from amazon s book store everyday low prices and free delivery on eligible orders

girl on fire how to choose yourself burn the rule boo - Aug 21 2023

web nov 7 2019 from the bestselling author of girl code cara alwill leyba delivers girl on fire the lon girl on fire how to
choose yourself burn the rule book and blaze your own trail in life and business by cara alwill leyba goodreads

girl on fire how to choose yourself burn the rule book and - Jul 20 2023

web nov 8 2019 from the bestselling author of girl code cara alwill leyba delivers girl on fire the long awaited follow up fans
have been waiting for the self publishing queen started this conversation four years ago with girl code her ode to women and
their power a book so successful that it has been translated in seven languages and continues to

girl on fire how to choose yourself burn the rule book and - Aug 09 2022

web girl on fire how to choose yourself burn the rule book and blaze your own trail in life and business passionista publishing
2019 cara alwill leyba

[girl on fire how to choose yourself burn the rule book and](#) - Dec 13 2022

web the self publishing queen started this conversation four years ago with girl code her ode to women and their power a
book so successful that it has been translated in seven languages and continues to make a major impact on the world girl on
fire builds on this concept and shows you how to blaze your own trail immediately

network lab solution bese 21 b computer networks - Mar 21 2022

web we meet the expense of lab solution manual computer networks tanenbaum and numerous books collections from fictions to scientific research in any way in the

[computer networks tanenbaum google books](#) - Oct 28 2022

web the protocols that are examined include ethernet 802 11 ip arp icmp dhcp udp tcp http dns and ssl the labs also build useful skills by making use of popular

cn lab manual pdf communications protocols computer - Feb 17 2022

web sep 30 2023 lab solution manual computer networks tanenbaum author iet donnu edu ua 2023 09 30 11 31 58 subject lab solution manual computer

[computer networks 5th edition tanenbaum solutions manual](#) - Jul 05 2023

web solution manual to computer networks 4th ed by andrew s tanenbaum eljqxx2q9w41 idocpub home current by andrew s tanenbaum solution

computer networks 5th edition tanenbaum solutions manual - Jul 25 2022

web computer networks global edition jun 30 2023 for courses in business data communication and networking an introduction to computer networking grounded in

lab solution manual computer networks tanenbaum sarkar - Jan 19 2022

web in this highly anticipated revision tanenbaum takes a structured approach to explaining how networks work from the inside out he starts with an explanation of the physical

[tanenbaum a solution manual to computer networks sciarium](#) - Jun 23 2022

web computer network tanenbaum solution manual computer network tanenbaum solution manual 2 downloaded from wiki lwn net on 2020 06 18 by guest introductory

computer network tanenbaum solution manual wiki lwn net - Apr 21 2022

web this manual is for 7 semester computer science and information science students under vtU Belgaum to carry out their network lab programs network simulator used is

lab solution manual computer networks tanenbaum - Dec 18 2021

[computer networks tanenbaum andrew s 1944 free](#) - Dec 30 2022

web jan 9 2010 the textbook is supplemented by a solutions manual as well as a website containing powerpoint slides art in various forms and other tools for instruction

[lab solution manual computer networks tanenbaum](#) - May 23 2022

web computer networks get to know about the tcp ip configuration on your pc using ipconfig all experiment 5 network

monitoring using wireshark exercise 5

computer networks andrew s tanenbaum google books - Nov 16 2021

computer networks 5th edition solutions and answers quizlet - Oct 08 2023

web now with expert verified solutions from computer networks 5th edition you ll learn how to solve your toughest homework problems our resource for computer networks

solution manual to computer networks 4th ed by andrew s - Jun 04 2023

web aug 15 2023 download the solutions manual for computer networks 6th us edition by tanenbaum feamster wetherall pearson link testbankblue com shop bl

computer networks andrew s tanenbaum google - Jan 31 2023

web 1 1 uses of computer networks 3 1 1 1 business applications 3 1 1 2 home applications 6 1 1 3 mobile users 10 1 1 4 social issues 14 1 2 network

github let s build from here github - Sep 26 2022

web apr 20 2020 step 1 capture a trace proceed as follows to capture a trace of arp traffic alternatively you may use a supplied trace to gather arp packets we will cause your

computer networks 4th edition solutions manual by - Aug 06 2023

web computer networks 5th edition tanenbaum solutions manual visit to download in full testbankdeal com download computer networks 5th edition tanenbaum

computer networks andrew s tanenbaum david wetherall - Aug 26 2022

web dec 25 2008 prentice hall 2011 960 p computer networks 5 e is appropriate for computer networking or introduction to networking courses at both the

solution manual to computer networks 4th ed by andrew s - Mar 01 2023

web 1 volume 24 cm tanenbaum takes a structured approach to explaining how networks work from the inside out he starts with an explanation of the physical layer of

solutions manual for computer networks 6th edition tanenbaum - May 03 2023

web solution manual to computer networks 4th ed by andrew s tanenbaum solution manual to computer architecture a quantitative approach 4th edition 2006 by john l

this page intentionally left blank github pages - Nov 28 2022

web payload allshortcutsenabled false filetype items name computer networks a tanenbaum 5th edition pdf path computer networks a tanenbaum

5th edition solution manual computer networks fifth - Sep 07 2023

web solution manual computer networks 5ed tanenbaum thanks it helps a lot essay norton s introduction to the victorian age description t5ytjyjybjy bvdmediastandard

computer networks fifth edition - Apr 02 2023

web the textbook is supplemented by a solutions manual as well as a website containing powerpoint slides art in various forms and other tools for instruction including a

the son of sobek demigods and magicians book 1 kindle - Aug 02 2022

web the son of sobek demigods and magicians book 1 ebook riordan rick amazon in kindle store

the son of sobek rick riordan google books - Feb 08 2023

web may 7 2013 the son of sobek rick riordan penguin random house children s uk may 7 2013 juvenile fiction 32 pages an exciting new short story from rick riordan where carter kane meets percy

the son of sobek percy jackson kane chronicles crossover series - Nov 05 2022

web jun 18 2013 in this e book short story by rick riordan carter kane is investigating rumored sightings of a monster on long island when he runs into something else a mysterious boy named percy jackson and their meeting isn t exactly friendly includes a sneak peek chapter from house of hades book four in the heroes of olympus

son of sobek rick riordan free download borrow and - Sep 03 2022

web may 5 2018 by rick riordan topics percy jackson kane chronicles carter kane son os sobek collection opensource language english percy jackson kane chronicles crossover

the son of sobek ebook by rick riordan hoopla - May 31 2022

web borrow by rick riordan percy jackson kane chronicles crossover in this e book short story by rick riordan carter kane is investigating rumored sightings of a monster on long island when he runs into something else a mysterious boy named percy jackson and their meeting isn t exactly friendly

cover reveal rick riordan s heroes meet in the son of sobek usa today - Oct 04 2022

web may 7 2013 in the son of sobek carter is investigating rumored sightings of a monster on long island when he runs into percy and their first interaction is not necessarily pretty says riordan even if

the son of sobek demigods magicians 1 by rick riordan goodreads - Aug 14 2023

web jun 18 2013 in this audio e book short story narrated by rick riordan carter kane is investigating rumored sightings of a monster on long island when he runs into something else a mysterious boy named percy jackson and their meeting isn t exactly friendly includes a sneak peek chapter from house of hades book four in the heroes of

son of sobek pdf pdf scribd - Mar 29 2022

web son of sobek pdf free download as pdf file pdf text file txt or read online for free book by rick riordan book by rick riordan heroes of olympus the son of neptune riordan rick ican anisa prawitasari daughter of the deep by rick riordan 1 daughter of the deep by rick riordan 1 elena aguilar

the son of sobek demigods and magicians book 1 - Apr 10 2023

web may 7 2013 the son of sobek demigods and magicians book 1 kindle edition by riordan rick download it once and read it on your kindle device pc phones or tablets use features like bookmarks note taking and highlighting while reading the son of sobek demigods and magicians book 1

rick riordan the son of sobek - Jul 01 2022

web this story was published on june 18 2013 the son of sobek book description in this e book short story by rick riordan carter kane is investigating rumored sightings of a monster on long island when he runs into something else a mysterious boy named percy jackson and their meeting isn t exactly friendly

the son of sobek a disney hyperion short story by rick riordan - Mar 09 2023

web in this e book short story by rick riordan carter kane is investigating rumored sightings of a monster on long island when he runs into something else a mysterious boy named percy jackson and their meeting isn t exactly friendly includes a sneak peek chapter from house of hades book four in the heroes of olympus series released

the son of sobek by rick riordan pdf free download - Feb 25 2022

web december 19 2020 the son of sobek by rick riordan pdf free download is a short story in this story he investigates the rumor of a monster people spread different stories about this monster on long island after days he goes to long island to investigate he was on the boat with some freaks but in the end it leaves him and carter alone to

the crossover stories the son of sobek by rick riordan - May 11 2023

web carter kane meet percy jackson greek demigod and son of poseidon after an initial scuffle involving the fist of horus and a tidal wave of swamp water carter and percy combine their powers remove the magical gold necklace around the monster s neck and shrink the beast back to size

the son of sobek penguin books uk - Jan 07 2023

web an exciting new short story from rick riordan where carter kane meets percy jackson rick riordan has now sold an incredible 55 million copies of his books worldwide

the son of sobek riordan wiki fandom - Sep 15 2023

web this article is about the short story featuring percy jackson and carter kane for the title character see son of sobek the son of sobek is a short story told by carter kane in the paperback version of the serpent s shadow with a guest appearance by percy jackson rick riordan announced in

the son of sobek a disney hyperion short story google play - Dec 06 2022

web arrow forward in this e book short story by rick riordan carter kane is investigating rumored sightings of a monster on long island when he runs into something else a mysterious boy named percy jackson and their meeting isn t exactly friendly

the son of sobek archive org - Jul 13 2023

web rick riordan the son of sobek a carter kane percy jackson adventure contents the son of sobek about the author rick riordan is the creator of the award winning bestselling percy jackson series and the thrilling kane chronicles series according to rick the idea for the percy jackson stories was inspired by his son haley

the son of sobek rick riordan - Jun 12 2023

web february 1 2013 the son of sobek so yes it s true as announced today in publisher s weekly children s bookshelf i have written a crossover story featuring carter kane and percy jackson the story is called the son of sobek this is something fans have been asking me to do for years but why this story and why now

sobek riordan wiki fandom - Apr 29 2022

web petsuchos son carter kane and percy jackson fight sobek s son in crossover short story the son of sobek trivia his blood is green as shown when carter injures him and he loses a few teeth he is shown mainly as a human

[the son of sobek wikipedia](#) - Oct 16 2023

web the son of sobek is a 2013 fantasy short story written by rick riordan in the paperback version of the serpent s shadow on may 7 2013 and as a single e book on june 18 2013 on april 5 2016 it was released as the first of three short stories in a hardcover novel entitled demigods and magicians percy and annabeth meet the kanes