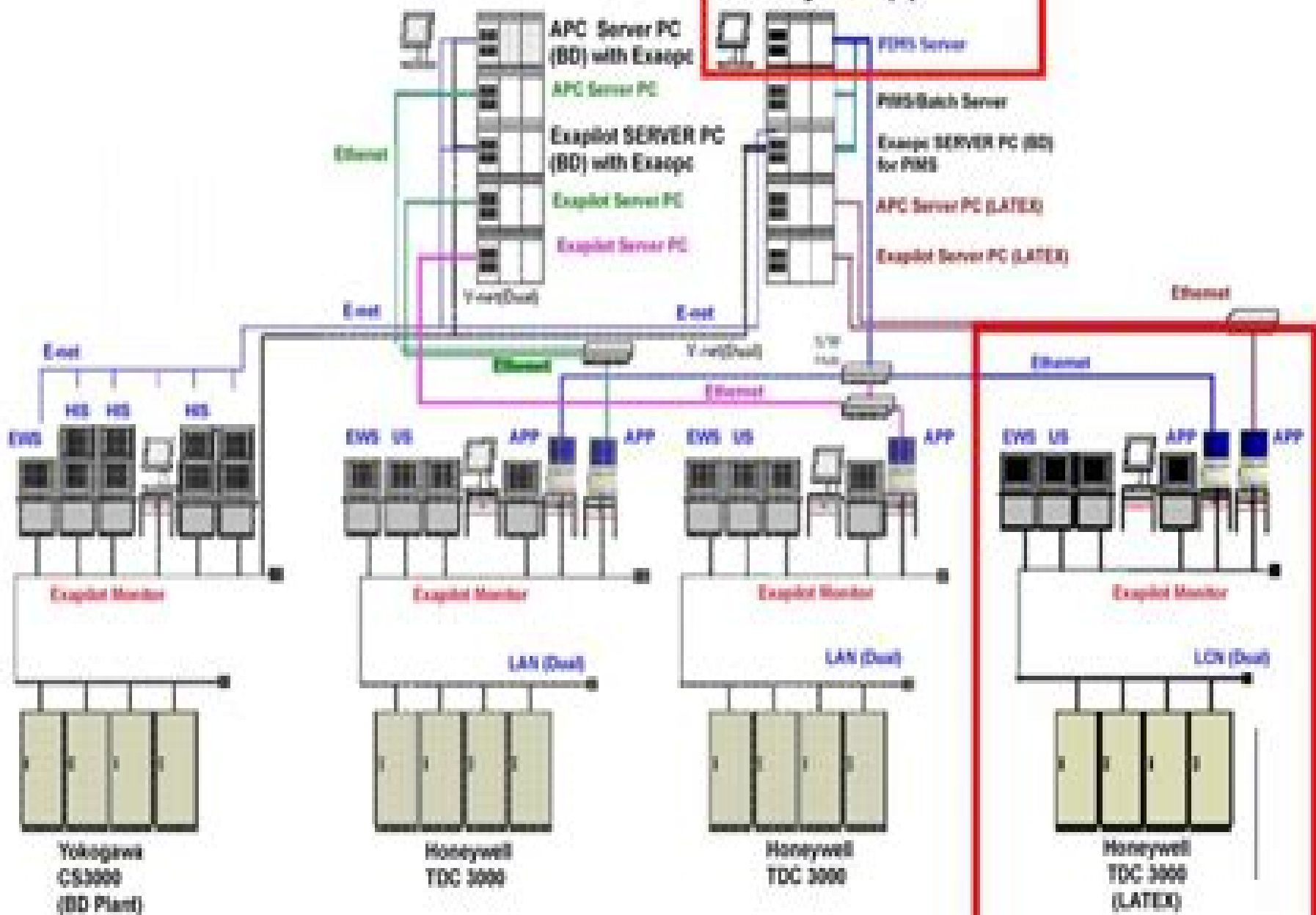


### Rack System (1)

### Rack System (2)



**Workstation Group 1:** Three H35 units with EWS, connected to an Exaplot Monitor, which is connected to a Yokogawa CS3000 (BD Plant).

**Workstation Group 2:** Two APP units with EWS US, connected to an Exaplot Monitor, which is connected to a Honeywell TDC 3000.

**Workstation Group 3:** Two APP units with EWS US, connected to an Exaplot Monitor, which is connected to a Honeywell TDC 3000.

**Workstation Group 4 (Red Boxed):** Two APP units with EWS US, connected to an Exaplot Monitor, which is connected to a Honeywell TDC 3000 (LATEX).

# Honeywell Tdc 3000 Picture Editor Reference Manual

**O García**



## **Honeywell Tdc 3000 Picture Editor Reference Manual:**

Immerse yourself in the artistry of words with Experience Art with its expressive creation, Immerse Yourself in **Honeywell Tdc 3000 Picture Editor Reference Manual** . This ebook, presented in a PDF format ( PDF Size: \*), is a masterpiece that goes beyond conventional storytelling. Indulge your senses in prose, poetry, and knowledge. Download now to let the beauty of literature and artistry envelop your mind in a unique and expressive way.

<https://staging.conocer.cide.edu/files/detail/HomePages/journal%20of%20glass%20studies%201990%20journal%20of%20glass%20studies.pdf>

## **Table of Contents Honeywell Tdc 3000 Picture Editor Reference Manual**

1. Understanding the eBook Honeywell Tdc 3000 Picture Editor Reference Manual
  - The Rise of Digital Reading Honeywell Tdc 3000 Picture Editor Reference Manual
  - Advantages of eBooks Over Traditional Books
2. Identifying Honeywell Tdc 3000 Picture Editor Reference Manual
  - Exploring Different Genres
  - Considering Fiction vs. Non-Fiction
  - Determining Your Reading Goals
3. Choosing the Right eBook Platform
  - Popular eBook Platforms
  - Features to Look for in an Honeywell Tdc 3000 Picture Editor Reference Manual
  - User-Friendly Interface
4. Exploring eBook Recommendations from Honeywell Tdc 3000 Picture Editor Reference Manual
  - Personalized Recommendations
  - Honeywell Tdc 3000 Picture Editor Reference Manual User Reviews and Ratings
  - Honeywell Tdc 3000 Picture Editor Reference Manual and Bestseller Lists
5. Accessing Honeywell Tdc 3000 Picture Editor Reference Manual Free and Paid eBooks
  - Honeywell Tdc 3000 Picture Editor Reference Manual Public Domain eBooks
  - Honeywell Tdc 3000 Picture Editor Reference Manual eBook Subscription Services

- Honeywell Tdc 3000 Picture Editor Reference Manual Budget-Friendly Options
- 6. Navigating Honeywell Tdc 3000 Picture Editor Reference Manual eBook Formats
  - ePub, PDF, MOBI, and More
  - Honeywell Tdc 3000 Picture Editor Reference Manual Compatibility with Devices
  - Honeywell Tdc 3000 Picture Editor Reference Manual Enhanced eBook Features
- 7. Enhancing Your Reading Experience
  - Adjustable Fonts and Text Sizes of Honeywell Tdc 3000 Picture Editor Reference Manual
  - Highlighting and Note-Taking Honeywell Tdc 3000 Picture Editor Reference Manual
  - Interactive Elements Honeywell Tdc 3000 Picture Editor Reference Manual
- 8. Staying Engaged with Honeywell Tdc 3000 Picture Editor Reference Manual
  - Joining Online Reading Communities
  - Participating in Virtual Book Clubs
  - Following Authors and Publishers Honeywell Tdc 3000 Picture Editor Reference Manual
- 9. Balancing eBooks and Physical Books Honeywell Tdc 3000 Picture Editor Reference Manual
  - Benefits of a Digital Library
  - Creating a Diverse Reading Collection Honeywell Tdc 3000 Picture Editor Reference Manual
- 10. Overcoming Reading Challenges
  - Dealing with Digital Eye Strain
  - Minimizing Distractions
  - Managing Screen Time
- 11. Cultivating a Reading Routine Honeywell Tdc 3000 Picture Editor Reference Manual
  - Setting Reading Goals Honeywell Tdc 3000 Picture Editor Reference Manual
  - Carving Out Dedicated Reading Time
- 12. Sourcing Reliable Information of Honeywell Tdc 3000 Picture Editor Reference Manual
  - Fact-Checking eBook Content of Honeywell Tdc 3000 Picture Editor Reference Manual
  - Distinguishing Credible Sources
- 13. Promoting Lifelong Learning
  - Utilizing eBooks for Skill Development
  - Exploring Educational eBooks
- 14. Embracing eBook Trends

- Integration of Multimedia Elements
- Interactive and Gamified eBooks

## **Honeywell Tdc 3000 Picture Editor Reference Manual Introduction**

In the digital age, access to information has become easier than ever before. The ability to download Honeywell Tdc 3000 Picture Editor Reference Manual has revolutionized the way we consume written content. Whether you are a student looking for course material, an avid reader searching for your next favorite book, or a professional seeking research papers, the option to download Honeywell Tdc 3000 Picture Editor Reference Manual has opened up a world of possibilities.

Downloading Honeywell Tdc 3000 Picture Editor Reference Manual provides numerous advantages over physical copies of books and documents. Firstly, it is incredibly convenient. Gone are the days of carrying around heavy textbooks or bulky folders filled with papers. With the click of a button, you can gain immediate access to valuable resources on any device. This convenience allows for efficient studying, researching, and reading on the go. Moreover, the cost-effective nature of downloading Honeywell Tdc 3000 Picture Editor Reference Manual has democratized knowledge. Traditional books and academic journals can be expensive, making it difficult for individuals with limited financial resources to access information. By offering free PDF downloads, publishers and authors are enabling a wider audience to benefit from their work. This inclusivity promotes equal opportunities for learning and personal growth. There are numerous websites and platforms where individuals can download Honeywell Tdc 3000 Picture Editor Reference Manual. These websites range from academic databases offering research papers and journals to online libraries with an expansive collection of books from various genres. Many authors and publishers also upload their work to specific websites, granting readers access to their content without any charge. These platforms not only provide access to existing literature but also serve as an excellent platform for undiscovered authors to share their work with the world. However, it is essential to be cautious while downloading Honeywell Tdc 3000 Picture Editor Reference Manual. Some websites may offer pirated or illegally obtained copies of copyrighted material. Engaging in such activities not only violates copyright laws but also undermines the efforts of authors, publishers, and researchers. To ensure ethical downloading, it is advisable to utilize reputable websites that prioritize the legal distribution of content. When downloading Honeywell Tdc 3000 Picture Editor Reference Manual, users should also consider the potential security risks associated with online platforms. Malicious actors may exploit vulnerabilities in unprotected websites to distribute malware or steal personal information. To protect themselves, individuals should ensure their devices have reliable antivirus software installed and validate the legitimacy of the websites they are downloading from. In conclusion, the ability to download Honeywell Tdc 3000 Picture Editor Reference Manual has transformed the way we access information. With the convenience, cost-effectiveness, and accessibility it offers, free PDF downloads have become a

popular choice for students, researchers, and book lovers worldwide. However, it is crucial to engage in ethical downloading practices and prioritize personal security when utilizing online platforms. By doing so, individuals can make the most of the vast array of free PDF resources available and embark on a journey of continuous learning and intellectual growth.

### **FAQs About Honeywell Tdc 3000 Picture Editor Reference Manual Books**

How do I know which eBook platform is the best for me? Finding the best eBook platform depends on your reading preferences and device compatibility. Research different platforms, read user reviews, and explore their features before making a choice. Are free eBooks of good quality? Yes, many reputable platforms offer high-quality free eBooks, including classics and public domain works. However, make sure to verify the source to ensure the eBook credibility. Can I read eBooks without an eReader? Absolutely! Most eBook platforms offer webbased readers or mobile apps that allow you to read eBooks on your computer, tablet, or smartphone. How do I avoid digital eye strain while reading eBooks? To prevent digital eye strain, take regular breaks, adjust the font size and background color, and ensure proper lighting while reading eBooks. What the advantage of interactive eBooks? Interactive eBooks incorporate multimedia elements, quizzes, and activities, enhancing the reader engagement and providing a more immersive learning experience. Honeywell Tdc 3000 Picture Editor Reference Manual is one of the best book in our library for free trial. We provide copy of Honeywell Tdc 3000 Picture Editor Reference Manual in digital format, so the resources that you find are reliable. There are also many Ebooks of related with Honeywell Tdc 3000 Picture Editor Reference Manual. Where to download Honeywell Tdc 3000 Picture Editor Reference Manual online for free? Are you looking for Honeywell Tdc 3000 Picture Editor Reference Manual PDF? This is definitely going to save you time and cash in something you should think about. If you trying to find then search around for online. Without a doubt there are numerous these available and many of them have the freedom. However without doubt you receive whatever you purchase. An alternate way to get ideas is always to check another Honeywell Tdc 3000 Picture Editor Reference Manual. This method for see exactly what may be included and adopt these ideas to your book. This site will almost certainly help you save time and effort, money and stress. If you are looking for free books then you really should consider finding to assist you try this. Several of Honeywell Tdc 3000 Picture Editor Reference Manual are for sale to free while some are payable. If you arent sure if the books you would like to download works with for usage along with your computer, it is possible to download free trials. The free guides make it easy for someone to free access online library for download books to your device. You can get free download on free trial for lots of books categories. Our library is the biggest of these that have literally hundreds of thousands of different products categories represented. You will also see that there are specific sites catered to different product types or categories, brands or niches related with Honeywell Tdc 3000 Picture

Editor Reference Manual. So depending on what exactly you are searching, you will be able to choose e books to suit your own need. Need to access completely for Campbell Biology Seventh Edition book? Access Ebook without any digging. And by having access to our ebook online or by storing it on your computer, you have convenient answers with Honeywell Tdc 3000 Picture Editor Reference Manual To get started finding Honeywell Tdc 3000 Picture Editor Reference Manual, you are right to find our website which has a comprehensive collection of books online. Our library is the biggest of these that have literally hundreds of thousands of different products represented. You will also see that there are specific sites catered to different categories or niches related with Honeywell Tdc 3000 Picture Editor Reference Manual So depending on what exactly you are searching, you will be able to choose ebook to suit your own need. Thank you for reading Honeywell Tdc 3000 Picture Editor Reference Manual. Maybe you have knowledge that, people have search numerous times for their favorite readings like this Honeywell Tdc 3000 Picture Editor Reference Manual, but end up in harmful downloads. Rather than reading a good book with a cup of coffee in the afternoon, instead they juggled with some harmful bugs inside their laptop. Honeywell Tdc 3000 Picture Editor Reference Manual is available in our book collection an online access to it is set as public so you can download it instantly. Our digital library spans in multiple locations, allowing you to get the most less latency time to download any of our books like this one. Merely said, Honeywell Tdc 3000 Picture Editor Reference Manual is universally compatible with any devices to read.

### **Find Honeywell Tdc 3000 Picture Editor Reference Manual :**

**journal of glass studies 1990 journal of glass studies**

**journal of international affairs technology and international policy and ebays on the information age**

*joshua/joshua and the children*

**joie warners ceasar salads**

**joseph wright**

*joint venturing abroad a case study*

*jordan in pictures*

**joint ventures in the peoples republic of china**

*joseph stalin selected writings*

*johnny kling a baseball biography*

~~jones day reavis pogue the first~~

*joseph cornells vision of spiritual order*

john wulp



**journal aurelio scetti florench  
jonah epistles**

**Honeywell Tdc 3000 Picture Editor Reference Manual :**

**acefiar financial accounting and reporting midterm exam** - Mar 30 2022

web acefiar financial accounting and reporting midterm exam answer key docx free download as word doc doc docx pdf file pdf text file txt or read online for free

*financial accounting midterm flashcards quizlet* - Jun 13 2023

web this set will focuses on the key accounting concepts simplifying complex topics that relates directly to the financial accounting i chapters financial ac fresh features from the 1 ai enhanced learning platform

*financial accounting midterm flashcards chegg com* - Jan 08 2023

web study financial accounting midterm flashcards create flashcards for free and quiz yourself with an interactive flipper

**financial accounting midterm test questions flashcards** - Jun 01 2022

web financial accounting midterm test questions flashcards get access to high quality and unique 50 000 college essay examples and more than 100 000 flashcards and test answers from around the world

**financial accounting reporting midterm exam flashcards** - Mar 10 2023

web study with quizlet and memorize flashcards containing terms like topic 1 inventory t f gaap requires the cost flow assumption to correspond to the actual physical flow of inventory all three cost flow assumption would have the

*financial accounting midterm exam flashcards quizlet* - Jul 14 2023

web study with quizlet and memorize flashcards containing terms like basic accounting equation assets liabilities and more

**intro to financial accounting midterm exam flashcards** - May 12 2023

web intro to financial accounting midterm exam term 1 91 accounting click the card to flip definition 1 91 1 identifies 2 records and 3 communicates economic events of an organization to interested users includes book keeping function click the card to flip flashcards learn created by anyutafadia17 terms in this set 91 accounting

*midterm exam study guide midterm exam review chapter 1* - Apr 30 2022

web midterm exam review chapter 1 describe the financial reporting environment accounting and capital allocation objective of financial reporting need to develop standards financial accounting process that culminates in the preparation of financial reports on the enterprise for use by both internal and external parties

*financial accounting midterm exam pdf bad debt loans* - Jul 02 2022

web financial accounting midterm exam docx free download as word doc doc docx pdf file pdf text file txt or read online for

free

financial accounting midterm principle of financial course - Nov 06 2022

web view notes financial accounting midterm from acct ub misc at new york university principle of financial accounting practice exam mid term exam 1 professor xiaojing meng name section general upload to study

sample midterm exam solutions financial accounting i docsity - Dec 07 2022

web partial preview of the text download sample midterm exam solutions financial accounting i and more financial accounting study notes in pdf only on docsity solutions sample mid term exam question 1 multiple choice 56 marks 1 c 2 c 3 a 4 b 5 d 6 c 7 a 8 c 9 b 10 c 11 c 12 c 13 d 14 a 15 b 16 c 17 d 18 c 19 c 20 a

*financial accounting mid term spring summer 2021 studocu* - Sep 04 2022

web financial accounting spring summer 2021 mid term exam marked out of 81 value 20 time 120 minutes indicate the best most correct answer each question is worth 2 marks unless otherwise indicated which of the following statements best describes managerial accounting a managerial accounting focuses on information for internal

midterm exam financial accounting principles course hero - Aug 03 2022

web view test prep midterm exam financial accounting principles from mgmt e 1000 at harvard university midterm exam financial accounting principles 9 24 16 1 19 pm midterm exam due mar 12 at upload to study

**midterm exam financial accounting semester 1 studeersnel** - Feb 09 2023

web midterm exam financial accounting semester 1 cover page for a written examination test name of studeersnel middelbare school niveaus midterm exam for the first midterm with a couple of questions financial accounting 324064 studenten deelden 146 documenten in dit vak financial accounting 9th edition

*accounting 101 financial accounting final exam study com* - Feb 26 2022

web accounting 101 financial accounting final exam free practice test instructions choose your answer to the question and click continue to see how you did then click next question to answer

financial accounting midterm 1 multiple choice flashcards - Aug 15 2023

web finance financial accounting midterm 1 multiple choice 4 8 11 reviews which of the following financial statements is for a particular date rather than a period of time a income statement b cash flow statement c statement of stockholder s equity d balance sheet click the card to flip d balance sheet click the card to flip 1 33

**managerial accounting midterm exam flashcards quizlet** - Dec 27 2021

web finance managerial accounting midterm exam which of the following is not an objective of managerial accounting click the card to flip to produce external users including investors creditors customers suppliers and government agencies click the card to flip 1 27 flashcards learn test match q chat created by terms in this set 27

*exams financial and managerial accounting sloan school of* - Apr 11 2023

web sample midterm exam sample midterm financial data solutions midterm exam midterm solutions quiz quiz solutions

*exams financial accounting sloan school of management* - Oct 05 2022

web students have 80 minutes to complete the mid term exam which is worth 30 percent of their grade the final exam takes 120 minutes and counts for 45 percent of the term grade solutions are provided for both exams

financial accounting exam prep youtube - Jan 28 2022

web this live stream covers a comprehensive financial accounting problem to prepare students for their midterm or exam concepts covered are preparing a trial b

**europa slavica europa orientalis festschrift für herbert ludat** - Oct 05 2022

web europa slavica europa orientalis festschrift für herbert ludat zum 70 geburtstag grothusen klaus detlev zernack klaus isbn 9783428046010 kostenloser versand für alle bücher mit versand und verkauf duch amazon

*Şevval osmanlıca yazılışı Şevval osmanlıca nasıl yazılır Şevval* - Feb 26 2022

web ihya org web sitesi 2001 yılından bu yana hizmet vermektedir bizimle iletişime geçmek için e posta adresimize mail atabilirsiniz e posta adresimize mail atabilirsiniz

europa slavica europa orientalis festschrift fur pdf uniport edu - Jun 01 2022

web apr 11 2023 start getting this info acquire the europa slavica europa orientalis festschrift fur belong to that we pay for here and check out the link you could purchase guide europa slavica europa orientalis festschrift fur or acquire it as soon as feasible you could quickly download this europa slavica europa orientalis festschrift fur after

*europa slavica europa orientalis festschrift für herbert ludat* - May 12 2023

web may 25th 2020 europa slavica europa orientalis festschrift für herbert ludat zum 70 geburtstag europäische osten in abendländischer und sovjetischer sicht 2 vorträge die geistige und politische situation des heutigen polen vortrag gehalten am 16 oktober 1967 bei der hochschulwoche

**europa slavica europa orientalis festschrift für herb** - Dec 07 2022

web europa slavica europa orientalis festschrift für herbert ludat zum 70 geburtstag osteuropastudien der hochschulen des landes hessen reihe 1 des europäischen ostens

*kilise slavcası vikipedi* - Aug 03 2022

web kilise slavcası bulgar sırp makedon rus Çek ortodoks kiliselerinin ayinlerde kullandığı yazı ve konuşma dilidir telaffuz ve yazımın kökeni eski doğu slavcadan kelimeler ve ifadelere uygun şekilde uyarlanmıştır yazı dillerinde erken kiril dönemi ve eskiden kalma glagolitik etkiler kaldı 1491 yılında kitapları ilk kez kraków da basıldı

europa slavica europa orientalis festschrift für herbert ludat - Jun 13 2023

web europa slavica europa orientalis festschrift für herbert ludat zum 70 geburtstag by klaus detlev grothusen klaus zernack grothusen klaus zern ack berlin duncker amp h umblot 1980 127 177 the multi ethnic character of medieval silesian society may 21st 2020 wandel im mittelalterlichen böhmen in europa slavica europa orientalis festschrift

*europa slavica europa orientalis festschrift für herbert ludat* - Jan 28 2022

web get this from a library europa slavica europa orientalis festschrift für herbert ludat zum 70 geburtstag herbert ludat klaus detlev grothusen klaus zernack

**europa slavica europa orientalis festschrift für herbert ludat** - Jul 14 2023

web europa slavica europa orientalis festschrift für herbert ludat zum 70 geburtstag inproceedings ludat1980europas title europa slavica europa orientalis festschrift f u r herbert ludat zum 70 geburtstag author herbert ludat and klaus detlev grothusen and klaus zernack year 1980

**europa slavica europa orientalis festschrift für herbert ludat** - Dec 27 2021

web europa slavica europa orientalis festschrift für june 4th 2020 europa slavica europa orientalis festschrift für herbert ludat zum 70 geburtstag deutsch broschiert 1 januar 1980 jetpack theaoi com 4 17

**europa slavica europa orientalis festschrift fur timothy brook** - Mar 30 2022

web feb 15 2023 europa slavica europa orientalis festschrift fur is available in our digital library an online access to it is set as public so you can get it instantly our books collection spans in multiple locations allowing you to get the most less latency time to download any of our books like this one

*osmanlı zamanında latin harfleriyle yazılan türkçe eserler* - Apr 30 2022

web dec 8 2013 1553 tarihli latin harfli ilk türkçe metin latin harfleriyle yazılan ilk türkçe metnin 1800 li yıllarda yazıldığı yönündeki bilgi araştırmacı fehmi dinçer tarafından çürütüldü dinçer yaptığı araştırmada türk tarihinde ilk türkçe metnin 1553 tarihinde yazıldığını ortaya çıkardı böylece 19

[3428046013 europa slavica europa orientalis festschrift für](#) - Sep 04 2022

web europa slavica europa orientalis festschrift für herbert ludat zum 70 geburtstag finden sie alle bücher von grothusen klaus detlev und klaus zernack bei der büchersuchmaschine eurobuch com können sie antiquarische und neubücher vergleichen und sofort zum bestpreis bestellen 3428046013 european

*europa slavica europa orientalis festschrift für herbert ludat* - Feb 09 2023

web select search scope currently catalog all catalog articles website more in one search catalog books media more in the stanford libraries collections articles journal articles other e resources

**europa slavica europa orientalis mgh bibliothek** - Mar 10 2023

web europa slavica europa orientalis festschrift für herbert ludat zum 70 geburtstag herausgegeben von klaus detlev

grothusen und klaus zernack 1980 m kommissionsverlag dundcer humblot berlin der slawischen besiedlung bis zum eintritt in die europäische kulturgemeinschaft wiesbaden 1974 k bosh herzog könig

**europa slavica europa orientalis festschrift für herbert ludat** - Apr 11 2023

web europa slavica europa orientalis festschrift für herbert ludat zum 70 geburtstag by klaus detlev grothusen klaus zernack emperor charles iv 1346 1378 as the architect of local november 24th 2019 17 peter moraw calculates from charles iv s known itinerary that the emperor and his court spent

**9783428046010 europa slavica europa orientalis festschrift fu r** - Jan 08 2023

web europa slavica europa orientalis festschrift fu r herbert ludat zum 70 geburtstag osteuropastudien der hochschulen des landes hessen reihe 1 des europa ischen ostens german edition isbn 13 9783428046010

**europa slavica europa orientalis festschrift für herbert ludat** - Aug 15 2023

web get this from a library europa slavica europa orientalis festschrift für herbert ludat zum 70 geburtstag herbert ludat klaus detlev grothusen klaus zernack

*europa slavica europa orientalis festschrift fur pdf* - Nov 06 2022

web europa slavica europa orientalis festschrift fur heimat region and empire may 26 2021 this collection brings together international scholars pursuing cutting edge research on spatial identities under national socialism they demonstrate that the spatial identities of the third reich can be approached as a

isbn 9783428046010 europa slavica europa orientalis festschrift - Jul 02 2022

web isbn 9783428046010 europa slavica europa orientalis festschrift für herbert ludat zum 70 geburtstag gebraucht antiquarisch neu kaufen preisvergleich käuferschutz wir bücher

*el siglo xix dia a dia 1830 1835 spanish edition ebook* - Mar 31 2022

web el siglo xix dia a dia 1830 1835 spanish edition ebook ygua ruben amazon ca livres

*siglo ix wikipedia la enciclopedia libre* - Dec 28 2021

web el siglo ix d c siglo noveno después de cristo o siglo ix e c siglo noveno de la era común comenzó el 1 de enero del año 801 y terminó el 31 de diciembre del 900 es llamado el siglo de los normandos aunque en europa es el siglo de la unión política del cristianismo en torno a la figura de carlomagno el rey de los

**el siglo xix dia a dia 1830 1835 spanish edition kindle edition** - May 01 2022

web amazon com el siglo xix dia a dia 1830 1835 spanish edition ebook ygua ruben kindle store

*el siglo xix dia a dia 1830 1835 spanish edition pdf* - Mar 11 2023

web may 10 2023 el siglo xix dia a dia 1830 1835 spanish edition 2 9 downloaded from uniport edu ng on may 10 2023 by guest distinciones premio de la revista la aventura de la historia a la mejor iniciativa editorial adolphe benjamin constant

2020 10 04 estamos ante propuesta para a literatura galega da tradución dun texto

**el siglo xix dia a dia 1830 1835 copy ftp popcake** - Jun 02 2022

web crisis y creatividad en el teatro español y latinoamericano del siglo xix al siglo xxi hilvanando emociones latin american law repertorio de tamales obras selectas silver veins dusty lungs las técnicas artísticas 3 el siglo xix images of power dynamics and conflicts in a cross border region rojo y negro liberalism as utopia el arte del

**el siglo xix dia a dia 1830 1835 spanish edition ebook** - Nov 07 2022

web el siglo xix dia a dia 1830 1835 spanish edition ebook ygua ruben amazon de kindle store

*el siglo xix dia a dia 1830 1835 spanish edition kindle edition* - May 13 2023

web el siglo xix dia a dia 1830 1835 spanish edition ebook ygua ruben amazon in kindle store

**el siglo xix dia a dia 1830 1835 download only monograf** - Jan 09 2023

web invisibles antiguas y modernas los estudios reunidos en este libro sobre crisis y creatividad en el teatro español y latinoamericano del siglo xix al siglo xxi se basan en estas dos palabras para reflexionar sobre su interacción creadora así como los diversos aspectos y efectos de tal interacción

**el siglo xix dia a dia 1830 1835 spanish edition kindle edition** - Aug 16 2023

web dec 20 2016 el siglo xix dia a dia 1830 1835 spanish edition kindle edition by ygua ruben download it once and read it on your kindle device pc phones or tablets use features like bookmarks note taking and highlighting while reading el siglo xix dia a dia 1830 1835 spanish edition

**siglo xix wikipedia la enciclopedia libre** - Feb 27 2022

web el siglo xix d c siglo diecinueve después de cristo o siglo xix e c siglo diecinueve de la era común fue el noveno siglo del ii milenio en el calendario gregoriano comenzó el 1 de enero de 1801 y terminó el 31 de diciembre de 1900

**el siglo xix dia a dia 1830 1835 spanish edition kindle edition** - Sep 05 2022

web el siglo xix dia a dia 1830 1835 spanish edition ebook ygua ruben amazon com au kindle store

**el siglo xix dia a dia 1830 1835 spanish edition british** - Feb 10 2023

web merely said the el siglo xix dia a dia 1830 1835 spanish edition is universally compatible with any devices to read the cambridge companion to latin american independence marcela echeverri 2023 03 31 bringing together experts across latin america north america and spain the cambridge companion to latin american

**el siglo xix dia a dia 1830 1835 spanish edition edición** - Jul 15 2023

web amazon com el siglo xix dia a dia 1830 1835 spanish edition ebook ygua ruben tienda kindle

el siglo xix dia a dia 1830 1835 spanish edition bancroft - Apr 12 2023

web merely said the el siglo xix dia a dia 1830 1835 spanish edition is universally compatible behind any devices to read

trübner s american and oriental literary record 1865 catalogue of second hand books and manuscripts 1899

**el siglo xix dia a dia 1830 1835 nexgenbattery** - Dec 08 2022

web el siglo xix dia a dia 1830 1835 la orden de acteón a zeus lectores editores y cultura impresa en colombia siglos xvi xxi a land between waters repertorio de blasones de la comunidad hispanica tomo iv crisis y creatividad en el teatro español y latinoamericano del siglo xix al siglo xxi así se vendió la moda silver veins dusty lungs

**el siglo xix dia a dia 1830 1835 spanish edition ebook** - Aug 04 2022

web achetez et téléchargez ebook el siglo xix dia a dia 1830 1835 spanish edition boutique kindle enfants et adolescents amazon fr

**el siglo xix spanish to english translation** - Jan 29 2022

web translate el siglo xix see authoritative translations of el siglo xix in english with example sentences and audio pronunciations

**las revoluciones liberales 1830 1835 el siglo xix dia a dia** - Oct 06 2022

web amazon com las revoluciones liberales 1830 1835 el siglo xix dia a dia nº 3 spanish edition ebook ygua ruben tienda kindle

**el siglo xix dia a dia 1830 1835 spanish edition ebook** - Jul 03 2022

web compre o ebook el siglo xix dia a dia 1830 1835 spanish edition de ygua ruben na loja ebooks kindle encuentre ofertas os livros mais vendidos e dicas de leitura na amazon brasil

**el siglo xix dia a dia 1830 1835 spanish edition ebook amazon de** - Jun 14 2023

web el siglo xix dia a dia 1830 1835 spanish edition ebook ygua ruben amazon de kindle shop