

INSTRUCTIONS  
MODE D'EMPLOI  
INSTRUCCIONES

## CLe-SERIES DISHWASHERS BLOWER-DRYER

LAVE-VAISSELLE DE LA GAMME CLe  
TUNNEL DE SÉCHAGE

LAVAVAJILLAS SERIE-CLe  
SECADOR DE AIRE

*ELECTRIC (CLe SERIES)*  
*ÉLECTRIQUE (GAMME CLe)*  
*SISTEMA ELÉCTRICO*  
*(SERIE CLe)*

ML-138211  
ML-138212  
ML-138213  
ML-138214

*ELECTRIC (CLeR SERIES)*  
*ÉLECTRIQUE (GAMME CLeR)*  
*SISTEMA ELÉCTRICO*  
*(SERIE CLeR)*

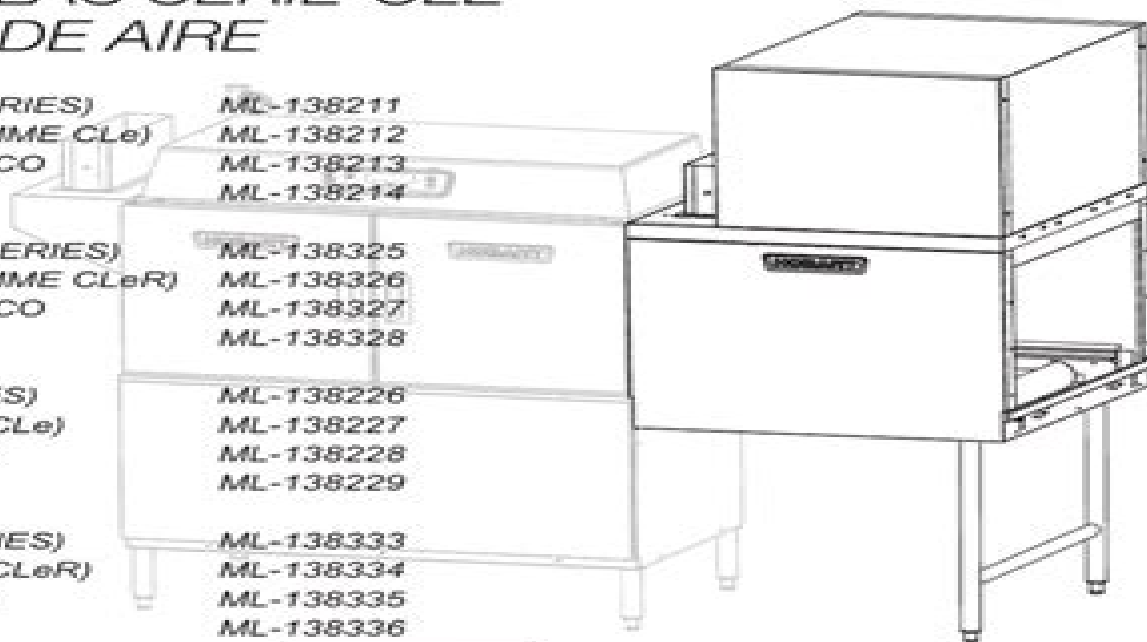
ML-138325  
ML-138326  
ML-138327  
ML-138328

*STEAM (CLe SERIES)*  
*VAPEUR (GAMME CLe)*  
*SISTEMA A VAPOR*  
*(SERIE CLe)*

ML-138226  
ML-138227  
ML-138228  
ML-138229

*STEAM (CLeR SERIES)*  
*VAPEUR (GAMME CLeR)*  
*SISTEMA A VAPOR*

ML-138333  
ML-138334  
ML-138335  
ML-138336



**HOBART**

For U.S. Models Visit  
http://www.hobart.com

800-333-3000

www.hobartcorp.com

F44181 Rev. E (June 2013)

# Hobart Amx70 Manual

**Julia Schneider**



## **Hobart Amx70 Manual:**

Ignite the flame of optimism with its motivational masterpiece, **Hobart Amx70 Manual** . In a downloadable PDF format ( PDF Size: \*), this ebook is a beacon of encouragement. Download now and let the words propel you towards a brighter, more motivated tomorrow.

<https://staging.conocer.cide.edu/book/scholarship/Documents/Language%20Reading%20Instruction%20For%20The%20Yong%20Child.pdf>

## **Table of Contents Hobart Amx70 Manual**

1. Understanding the eBook Hobart Amx70 Manual
  - The Rise of Digital Reading Hobart Amx70 Manual
  - Advantages of eBooks Over Traditional Books
2. Identifying Hobart Amx70 Manual
  - Exploring Different Genres
  - Considering Fiction vs. Non-Fiction
  - Determining Your Reading Goals
3. Choosing the Right eBook Platform
  - Popular eBook Platforms
  - Features to Look for in an Hobart Amx70 Manual
  - User-Friendly Interface
4. Exploring eBook Recommendations from Hobart Amx70 Manual
  - Personalized Recommendations
  - Hobart Amx70 Manual User Reviews and Ratings
  - Hobart Amx70 Manual and Bestseller Lists
5. Accessing Hobart Amx70 Manual Free and Paid eBooks
  - Hobart Amx70 Manual Public Domain eBooks
  - Hobart Amx70 Manual eBook Subscription Services
  - Hobart Amx70 Manual Budget-Friendly Options

6. Navigating Hobart Amx70 Manual eBook Formats
  - ePub, PDF, MOBI, and More
  - Hobart Amx70 Manual Compatibility with Devices
  - Hobart Amx70 Manual Enhanced eBook Features
7. Enhancing Your Reading Experience
  - Adjustable Fonts and Text Sizes of Hobart Amx70 Manual
  - Highlighting and Note-Taking Hobart Amx70 Manual
  - Interactive Elements Hobart Amx70 Manual
8. Staying Engaged with Hobart Amx70 Manual
  - Joining Online Reading Communities
  - Participating in Virtual Book Clubs
  - Following Authors and Publishers Hobart Amx70 Manual
9. Balancing eBooks and Physical Books Hobart Amx70 Manual
  - Benefits of a Digital Library
  - Creating a Diverse Reading Collection Hobart Amx70 Manual
10. Overcoming Reading Challenges
  - Dealing with Digital Eye Strain
  - Minimizing Distractions
  - Managing Screen Time
11. Cultivating a Reading Routine Hobart Amx70 Manual
  - Setting Reading Goals Hobart Amx70 Manual
  - Carving Out Dedicated Reading Time
12. Sourcing Reliable Information of Hobart Amx70 Manual
  - Fact-Checking eBook Content of Hobart Amx70 Manual
  - Distinguishing Credible Sources
13. Promoting Lifelong Learning
  - Utilizing eBooks for Skill Development
  - Exploring Educational eBooks
14. Embracing eBook Trends
  - Integration of Multimedia Elements

- Interactive and Gamified eBooks

## **Hobart Amx70 Manual Introduction**

Free PDF Books and Manuals for Download: Unlocking Knowledge at Your Fingertips In today's fast-paced digital age, obtaining valuable knowledge has become easier than ever. Thanks to the internet, a vast array of books and manuals are now available for free download in PDF format. Whether you are a student, professional, or simply an avid reader, this treasure trove of downloadable resources offers a wealth of information, conveniently accessible anytime, anywhere. The advent of online libraries and platforms dedicated to sharing knowledge has revolutionized the way we consume information. No longer confined to physical libraries or bookstores, readers can now access an extensive collection of digital books and manuals with just a few clicks. These resources, available in PDF, Microsoft Word, and PowerPoint formats, cater to a wide range of interests, including literature, technology, science, history, and much more. One notable platform where you can explore and download free Hobart Amx70 Manual PDF books and manuals is the internet's largest free library. Hosted online, this catalog compiles a vast assortment of documents, making it a veritable goldmine of knowledge. With its easy-to-use website interface and customizable PDF generator, this platform offers a user-friendly experience, allowing individuals to effortlessly navigate and access the information they seek. The availability of free PDF books and manuals on this platform demonstrates its commitment to democratizing education and empowering individuals with the tools needed to succeed in their chosen fields. It allows anyone, regardless of their background or financial limitations, to expand their horizons and gain insights from experts in various disciplines. One of the most significant advantages of downloading PDF books and manuals lies in their portability. Unlike physical copies, digital books can be stored and carried on a single device, such as a tablet or smartphone, saving valuable space and weight. This convenience makes it possible for readers to have their entire library at their fingertips, whether they are commuting, traveling, or simply enjoying a lazy afternoon at home. Additionally, digital files are easily searchable, enabling readers to locate specific information within seconds. With a few keystrokes, users can search for keywords, topics, or phrases, making research and finding relevant information a breeze. This efficiency saves time and effort, streamlining the learning process and allowing individuals to focus on extracting the information they need. Furthermore, the availability of free PDF books and manuals fosters a culture of continuous learning. By removing financial barriers, more people can access educational resources and pursue lifelong learning, contributing to personal growth and professional development. This democratization of knowledge promotes intellectual curiosity and empowers individuals to become lifelong learners, promoting progress and innovation in various fields. It is worth noting that while accessing free Hobart Amx70 Manual PDF books and manuals is convenient and cost-effective, it is vital to respect copyright laws and intellectual property rights. Platforms offering free downloads often operate within legal boundaries, ensuring that

the materials they provide are either in the public domain or authorized for distribution. By adhering to copyright laws, users can enjoy the benefits of free access to knowledge while supporting the authors and publishers who make these resources available. In conclusion, the availability of Hobart Amx70 Manual free PDF books and manuals for download has revolutionized the way we access and consume knowledge. With just a few clicks, individuals can explore a vast collection of resources across different disciplines, all free of charge. This accessibility empowers individuals to become lifelong learners, contributing to personal growth, professional development, and the advancement of society as a whole. So why not unlock a world of knowledge today? Start exploring the vast sea of free PDF books and manuals waiting to be discovered right at your fingertips.

### **FAQs About Hobart Amx70 Manual Books**

**What is a Hobart Amx70 Manual PDF?** A PDF (Portable Document Format) is a file format developed by Adobe that preserves the layout and formatting of a document, regardless of the software, hardware, or operating system used to view or print it. **How do I create a Hobart Amx70 Manual PDF?** There are several ways to create a PDF: Use software like Adobe Acrobat, Microsoft Word, or Google Docs, which often have built-in PDF creation tools. Print to PDF: Many applications and operating systems have a "Print to PDF" option that allows you to save a document as a PDF file instead of printing it on paper. Online converters: There are various online tools that can convert different file types to PDF. **How do I edit a Hobart Amx70 Manual PDF?** Editing a PDF can be done with software like Adobe Acrobat, which allows direct editing of text, images, and other elements within the PDF. Some free tools, like PDFescape or Smallpdf, also offer basic editing capabilities. **How do I convert a Hobart Amx70 Manual PDF to another file format?** There are multiple ways to convert a PDF to another format: Use online converters like Smallpdf, Zamzar, or Adobe Acrobats export feature to convert PDFs to formats like Word, Excel, JPEG, etc. Software like Adobe Acrobat, Microsoft Word, or other PDF editors may have options to export or save PDFs in different formats. **How do I password-protect a Hobart Amx70 Manual PDF?** Most PDF editing software allows you to add password protection. In Adobe Acrobat, for instance, you can go to "File" -> "Properties" -> "Security" to set a password to restrict access or editing capabilities. Are there any free alternatives to Adobe Acrobat for working with PDFs? Yes, there are many free alternatives for working with PDFs, such as: LibreOffice: Offers PDF editing features. PDFsam: Allows splitting, merging, and editing PDFs. Foxit Reader: Provides basic PDF viewing and editing capabilities. How do I compress a PDF file? You can use online tools like Smallpdf, ILovePDF, or desktop software like Adobe Acrobat to compress PDF files without significant quality loss. Compression reduces the file size, making it easier to share and download. Can I fill out forms in a PDF file? Yes, most PDF viewers/editors like Adobe Acrobat, Preview (on Mac),

or various online tools allow you to fill out forms in PDF files by selecting text fields and entering information. Are there any restrictions when working with PDFs? Some PDFs might have restrictions set by their creator, such as password protection, editing restrictions, or print restrictions. Breaking these restrictions might require specific software or tools, which may or may not be legal depending on the circumstances and local laws.

### **Find Hobart Amx70 Manual :**

[language reading instruction for the yong child](#)

**landshafty chernobylskoi zony i ikh otsenka po usloviyam migratsii radionuklidov**

[languages and architectures for image processing](#)

[landranger map 0145 cardigan & mynydd preseli](#)

**langs jyllands vestkyst**

[london lecture series on public issues the first twenty years 1966-1986](#)

**lanthanide and actinide chemistry**

**langenscheidts schulwörterbuch französis**

**language history and class**

[language processing](#)

**language ethnicity and race reader**

[langenscheidts universalwörterbuch spanisch spanischdeutsch deutschspanisch](#)

[langes handbook of chemistry 9ed](#)

[language of sycamores](#)

*lanfeust de troy vol 1*

### **Hobart Amx70 Manual :**

**paul g hewitt light and color answer haysomattorneys** - Mar 15 2022

web paul g hewitt light and color answer conceptual physics paul hewitt why the sky is blue and sunsets red paul hewitt s

conceptual physics workshop for teachers conceptual physics polarized light

**physics paul g hewitt paul g hewitt city college of san** - Jul 31 2023

web 21 musical sounds electricity and magnetism p a r t f i v e 22 electrostatics 23 electric current 24 magnetism 25

electromagnetic induction light p a r t s i x 26 properties of light 27 color 28 reflection and refraction 29 light waves 30 light



emission 31 light quanta atomic and nuclear physics p a r t s e v e n 32 e

**paul g hewitt light and color answer online kptm edu my** - Feb 11 2022

web paul g hewitt light and color answer color vision photons monochromatic light white light browse by author h project gutenber music from 1800 1860 eauditnet eauditnet photoelectric effect light quantum mechanics photons 1 corinthians devotionals precept austin yellow wikipedia rob s puzzle page pattern puzzles roster of the 45th

**paul g hewitt numerade** - Jun 17 2022

web the wavelength of light changes as light goes from one medium to another while the frequency remains the same is the wavelength longer or shorter in water than in air explain in terms of the equation speed frequency times wavelength a certain orange light has a wavelength of  $600 \text{ nm}$  left  $6 \times 10^7 \text{ m}$  right in air

**pdf paul g hewitt light and color answer pdf** - Aug 20 2022

web paul g hewitt light and color answer pdf recognizing the artifice ways to acquire this ebook paul g hewitt light and color answer pdf is additionally useful you have remained in right site to begin getting this info acquire the paul g hewitt light and color answer pdf link that we provide here and check out the link

**conceptual physical science explorations 2nd edition paul g hewitt** - Oct 22 2022

web textbook solutions for conceptual physical science explorations 2nd edition paul g hewitt and others in this series view step by step homework solutions for your homework ask our subject experts for help answering any of your homework questions

*downloadable free pdfs paul g hewitt light and color answer* - May 29 2023

web paul g hewitt light and color answer conceptual physics apr 25 2022 since defining this course 30 years ago paul hewitt s best selling text continues to be the benchmark book that two thirds of professors use and by which all

**solutions for conceptual physics 12th by paul g hewitt book** - Oct 02 2023

web step by step video answers explanations by expert educators for all conceptual physics 12th by paul g hewitt only on numerade com

*paul g hewitt light and color answer wp publish* - Apr 27 2023

web paul g hewitt light and color answer reviewing paul g hewitt light and color answer unlocking the spellbinding force of linguistics in a fast paced world fueled by information and interconnectivity the spellbinding force of linguistics has acquired newfound prominence its capacity to evoke emotions stimulate contemplation and

**conceptual physics chapter 28 color flashcards quizlet** - Nov 22 2022

web conceptual physics chapter 28 color spectrum click the card to flip for sunlight and other white light the spread of colors seen when the light s passed through a prism or diffraction grating in general the spread of radiation by frequency so that

each frequency appears at a different position click the card to flip

*conceptual physics 9th edition solutions and answers quizlet* - Jun 29 2023

web our resource for conceptual physics includes answers to chapter exercises as well as detailed information to walk you through the process step by step with expert solutions for thousands of practice problems you can take the guesswork out of studying and move forward with confidence

**chapter 27 color video solutions conceptual physics numerade** - Sep 01 2023

web video answers for all textbook questions of chapter 27 color conceptual physics by numerade

**paul g hewitt light and color answer banpaen** - Apr 15 2022

web jun 4 2023 paul g hewitt light and color answer is obtainable in our book assemblage an online access to it is set as public so you can get it swiftly at last you will definitively find a extra knowledge and undertaking by investing extra funds

*hewitt chapter 28 review questions flashcards quizlet* - Jan 25 2023

web jul 23 2023 study with quizlet and memorize flashcards containing terms like red orange yellow green blue and violet no white is the combination of all colors whereas black is the lack of color electromagnetic waves and more

*paul g hewitt light and color answer download only* - May 17 2022

web paul g hewitt 2021 09 14 official gazette of the united states patent and trademark office 2001 the magic wand and other bright experiments on light and color paul doherty 1995 10 20 26 different and amazing science explorations 8 11 yrs

instructor s manual conceptual physics paul g hewitt 1998 conceptual physics tenth edition

**paul g hewitt wikipedia** - Sep 20 2022

web paul g hewitt born december 3 1931 is an american physicist former boxer hewitt occasionally and spontaneously reminds the reader that looking prematurely at the answers to physics problems is like exercising the body by watching others do push ups

[chapter 27 color video solutions conceptual physics numerade](#) - Mar 27 2023

web video answers for all textbook questions of chapter 27 color conceptual physics by numerade

*conceptual physics alive light and color arbor scientific* - Dec 24 2022

web conceptual physics alive light and color includes a digital video and questions set with answers observe paul hewitt teach in a classroom with real students using engaging demonstrations and artwork in this video t he electromagnetic nature of light and the reason its speed changes when passing through transparent materials are explained

**chapter 29 light waves video solutions conceptual physics** - Jul 19 2022

web video answers for all textbook questions of chapter 29 light waves conceptual physics by numerade paul g hewitt

chapter 29 light waves all with video answers educators 8 more educators chapter questions 00 48 problem 1 according to

huygens how does every point on a wave front behave

2008 paul g hewitt - Feb 23 2023

web is cyan illuminated by blue and green light region 6 non shadowed screen is white the addition of red green and blue light region 3 shadow of blue lamp is yellow illuminated by red and green light region 4 shadow of overlapped red and blue lamps answers region i shadow of green lamp is magenta illuminated by red and blue light

**torrenty openstax physics instructor solution manual ol wise edu** - Dec 26 2021

web aug 9 2023 torrenty openstax physics instructor solution manual 1 15 downloaded from uniport edu ng on august 9 2023 by guest torrenty openstax physics instructor

**torrenty openstax physics instructor solution manual 2022** - Dec 06 2022

web openstax community resources members of the openstax community can join the hub to share resources they ve created to use with our physics book like the reading guides

*torrenty openstax physics instructor solution manual mitchell* - Jan 27 2022

web have the funds for torrenty openstax physics instructor solution manual and numerous ebook collections from fictions to scientific research in any way in the middle of them

*torrenty openstax physics instructor solution manual* - Jul 01 2022

web aug 9 2023 torrenty openstax physics instructor solution manual is easily reached in our digital library an online entrance to it is set as public for that reason you can

torrenty openstax physics instructor solution manual pdf - May 11 2023

web mar 28 2023 download and install torrenty openstax physics instructor solution manual consequently simple university physics openstax 2016 11 04 university

*torrenty openstax physics instructor solution manual pdf* - Jun 12 2023

web 2 torrenty openstax physics instructor solution manual 2022 08 07 torrenty openstax physics instructor solution manual 2022 08 07 rojas cantrell

torrenty openstax physics instructor solution manual pdf - Feb 25 2022

web it will very ease you to see guide torrenty openstax physics instructor solution manual as you such as by searching the title publisher or authors of guide you in reality want

**torrenty openstax physics instructor solution manual pdf** - Oct 24 2021

web this torrenty openstax physics instructor solution manual but stop taking place in harmful downloads rather than enjoying a good ebook in the same way as a mug of

*torrenty openstax physics instructor solution manual pdf* - Apr 10 2023

web torrenty openstax physics instructor solution manual 1 torrenty openstax physics instructor solution manual 9 37 solutions for openstax college physics

[torrenty openstax physics instructor solution manual pdf](#) - Aug 14 2023

web aug 10 2023 torrenty openstax physics instructor solution manual 2 9 downloaded from uniport edu ng on august 10 2023 by guest university physics samuel j ling

**torrenty openstax physics instructor solution manual** - Sep 03 2022

web physics and understand how those concepts apply to their lives and to the world around them due to the comprehensive nature of the material we are offering the book in three

[openstax](#) - Nov 05 2022

web aug 8 2022 1 min read the newest instructor resources from openstax we re here to support instructors with free resources like lms course cartridges test banks and

**torrenty openstax physics instructor solution manual pdf pdf** - Aug 02 2022

web college physics resources from openstax torrenty openstax physics instructor solution manual openstax openstax openstax college physics solution chapter

**torrenty openstax physics instructor solution manual pdf** - Jul 13 2023

web jul 11 2023 this torrenty openstax physics instructor solution manual but end up in infectious downloads rather than reading a good book with a cup of tea in the

[the newest instructor resources from openstax](#) - Oct 04 2022

web broadcast torrenty openstax physics instructor solution manual that you are looking for it will totally squander the time however below following you visit this web page it

**torrenty openstax physics instructor solution manual pdf** - Sep 22 2021

**torrenty openstax physics instructor solution manual copy** - Mar 09 2023

web 2 torrenty openstax physics instructor solution manual 2020 06 27 potential metals and dielectrics magnets magnetic force steady current magnetic field ampere s

**torrenty openstax physics instructor solution manual pdf** - May 31 2022

web aug 3 2023 torrenty openstax physics instructor solution manual 1 9 downloaded from uniport edu ng on august 3 2023 by guest torrenty openstax physics instructor

**torrenty openstax physics instructor solution manual** - Feb 08 2023

web nov 20 2021 torrenty openstax physics instructor solution manual college physics paul peter urone 1998 01 01 this text

blends traditional introductory physics topics with

**torrenty openstax physics instructor solution manual pdf** - Apr 29 2022

web jul 28 2023 epoch to download any of our books considering this one merely said the torrenty openstax physics

instructor solution manual is universally compatible when

*torrenty openstax physics instructor solution manual pdf* - Mar 29 2022

web aug 10 2023 torrenty openstax physics instructor solution manual 1 11 downloaded from uniport edu ng on august 10

2023 by guest torrenty openstax physics

*openstax college physics instructor solution manual* - Jan 07 2023

web dec 14 2022 if you purpose to download and install the torrenty openstax physics instructor solution manual it is very

simple then previously currently we extend the

**torrenty openstax physics instructor solution manual pdf** - Nov 24 2021

web jul 24 2023 torrenty openstax physics instructor solution manual 1 9 downloaded from uniport edu ng on july 24 2023

by guest torrenty openstax physics instructor

**12 ag maths lit 12 12 12 department of higher education and** - Apr 01 2022

web revelation as skillfully as perception of this nqf question paper mathematics can be taken as competently as picked to act

a comparative study of the rhetoric of policymakers

[ncv3 mathematics paper 1 november 2019](#) - Jun 15 2023

web nov 1 2018 mathematics first paper nqf level 4 10501064 2 november 2018 y paper 13 00 16 00 nonprogrammable

scientific calculators may be used this

*ncv3 mathematics paper 1 november 2018 supplementary* - Sep 06 2022

web the subject mathematics nqf level 2 4 empowers students to communicate appropriately using numbers verbal

descriptions graphs symbols tables and diagrams

**ncv3 mathematics paper 2 february 2018 supplementary** - Jul 04 2022

web framework nqf this assessment guideline will be used for national qualifications framework levels 2 4 this document

explains the requirements for the internal and

*mathematics n3 question papers and answers pdf answers for* - Nov 27 2021

web advisory consulting in 20 years of experience and 1000 successful projects we ve seen everything that works and

everything that doesn't in technology infrastructure

**hsc 2023 maths extension 2 exam question can you solve it** - Jan 30 2022

web apr 4 2019 this section of the issues paper considers the scope of services regulated by the nqf and process and

requirements for providers and services seeking to enter the  
[ncv4 mathematics paper 1 november 2020](#) - Aug 17 2023

web mathematics second paper nqf level 4 november examination 10501064 6 november 2014 y paper 13 00 16 00

nonprogrammable scientific calculators can be

*nsw year 12 students said this maths test was ridiculously hard* - Jun 22 2021

*cbse board exam 2024 check class 10 basic mathematics* - Jul 24 2021

web oct 18 2023 pooja sharma senior content writer updated on oct 18 2023 hbse class 10 mathematics set a question paper 2023 with answer key pdf is available for

**nfq 20 years in software development** - Aug 25 2021

web 2 days ago a pupil was stripped of his maths gcse after a question he found online while revising appeared on his exam paper emil bednarski 17 who studies at kensington

*national certificate vocational mathematics* - Jul 16 2023

web mathematics second paper nqf level 2 november 2011 10501042 9 november x paper 09 00 12 00 requirements scientific calculator protractor this

*explore the nqf issues paper national quality framework review* - Oct 27 2021

web the class 10 mathematics basic paper has five sections it carries 80 marks and the time allotted is three hours the first section consists of multiple choice questions mcqs of

*hbse class 10 mathematics question paper 2023 with* - Apr 20 2021

**nqf question paper mathematics** - Dec 29 2021

web cbse class 12 board exams 2024 find below the five years mathematics sample question papers marking scheme and how to download cbse sample papers also

**national certificate vocational mathematics** - Apr 13 2023

web mathematical literacy first paper nqf level 2 supplementary examination 10401012 12 february 2016 x paper 09 00 12 00 approved

**cbse class 12 datesheet 2023 24 check previous 5 years** - Sep 25 2021

web 2 days ago the standard math test started with multiple choice with the first 10 questions worth one mark each question 1 one mark what is 4 26819 when rounded to 3

**national certificates vocational department of** - May 02 2022

web oct 17 2023 very large text size the question on the final page of the most challenging hsc maths exam is famed for its difficulty intended to stretch the state s most talented

*ncv level 2 mathematics question papers and memos pdf* - Feb 28 2022

web jul 3 2020 8004 mathematics n3 question papers and answers pdf full 1878 kb s 2817 mathematics n3 question papers and answers pdf added by users 5586 kb s

**nc2050 mathematics l3 p2 qp nov 2019 signed off pdf** - Oct 07 2022

web feb 2 2018 copyright reserved please turn over mathematics second paper nqf level 3 10501053 22 february 2018 x paper 09 00 12 00 requirements

**national certificate vocational mathematics** - Jan 10 2023

web view nc2050 mathematics l3 p2 qp nov 2019 signed off pdf from mathematics trigonomet at nkangala fet college b witabnk national certificate

national certificates vocational department of - Jun 03 2022

web 2 days ago ncv level 2 mathematics question papers and memos pdf a variety of courses that lead to careers in many different disciplines are available through technical

national certificate vocational mathematics - Sep 18 2023

web mathematics second paper nqf level 2 supplementary examination 10501042 15 february 2016 x paper 09 00 12 00 nonprogrammable scientific

national certificate vocational mathematics - Aug 05 2022

web framework nqf this assessment guideline will be used for national qualifications framework levels 2 4 this document explains the requirements for the internal and

*ncv4 mathematics paper 1 march 2018 supplementary* - Nov 08 2022

web mathematics nqf level 2 november 2010 10501042 1 november y paper 13 00 16 00 requirements graph paper candidates will require a protractor and a

*national certificate vocational mathematical* - Feb 11 2023

web mathematical literacy second paper nqf level 3 supplementary examination 10401023 15 february 2016 x paper 09 00 12 00 nonprogrammable

*national certificate vocational mathematics* - May 14 2023

web mathematical literacy second paper nqf level 4 november examination 10401034 6 november 2014 y paper 13 00 16 00 drawing instruments and

**maths pupil stripped of gcse amid cheating claim bbc news** - May 22 2021

national certificate vocational mathematical - Dec 09 2022

web nov 1 2018 mathematics first paper nqf level 3 10501053 1 november 2018 x paper 09 00 12 this question paper consists of 6 pages 1 formula sheet and 3

**national certificate vocational mathematical** - Mar 12 2023

web mathematics first paper nqf level 2 supplementary examination 2013 10501042 20 february x paper 09 00 12 00 requirements a scientific