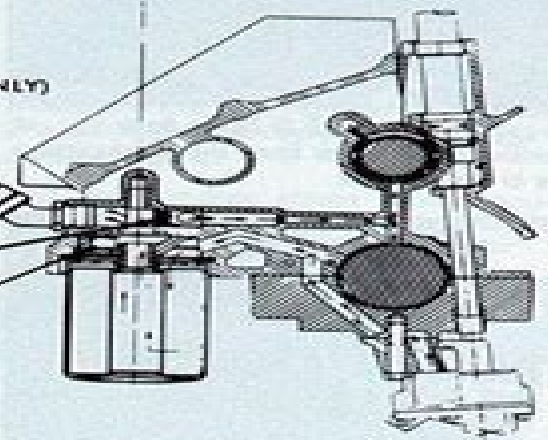


CAMSHAFT LOBE OILING

TO OIL COOLER
(HI-PERFORMANCE ONLY)

OIL COOLER BY-PASS VALVE
(HI-PERFORMANCE ONLY)

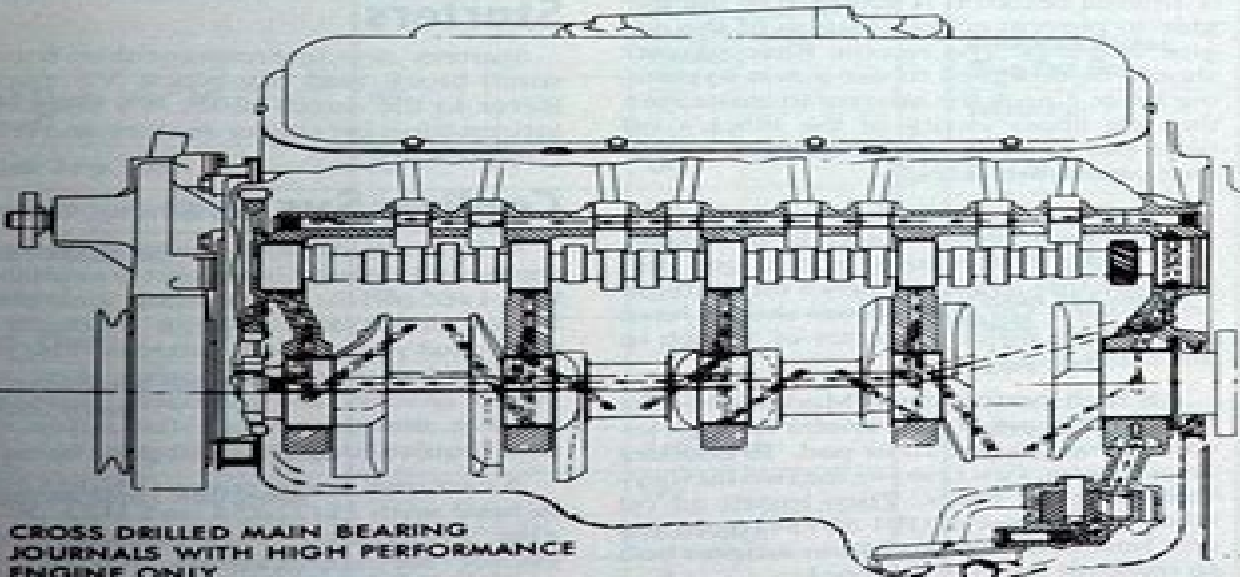
OIL FILTER BY-PASS VALVE



OIL FILTER AND DISTRIBUTOR OILING

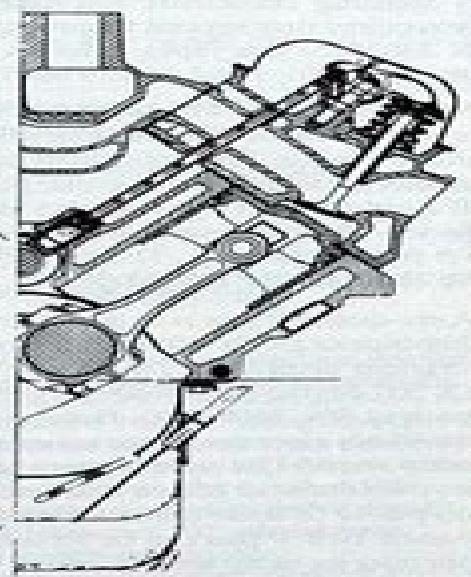


FUEL PUMP PUSH ROD OILING



CROSS DRILLED MAIN BEARING
JOURNALS WITH HIGH PERFORMANCE
ENGINE ONLY.

CRANKCASE AND CRANKSHAFT OILING



VALVE MECHANISM OILING

Gm 57 Engine Diagram

RD Boyd



Gm 57 Engine Diagram:

As recognized, adventure as capably as experience just about lesson, amusement, as well as concurrence can be gotten by just checking out a book **Gm 57 Engine Diagram** also it is not directly done, you could admit even more in relation to this life, a propos the world.

We pay for you this proper as without difficulty as easy way to acquire those all. We have the funds for Gm 57 Engine Diagram and numerous books collections from fictions to scientific research in any way. in the course of them is this Gm 57 Engine Diagram that can be your partner.

https://staging.conocer.cide.edu/results/book-search/Download_PDFS/Manual%20Gps%20Audi%20Rns%20E%20Systeem.pdf

Table of Contents Gm 57 Engine Diagram

1. Understanding the eBook Gm 57 Engine Diagram
 - The Rise of Digital Reading Gm 57 Engine Diagram
 - Advantages of eBooks Over Traditional Books
2. Identifying Gm 57 Engine Diagram
 - Exploring Different Genres
 - Considering Fiction vs. Non-Fiction
 - Determining Your Reading Goals
3. Choosing the Right eBook Platform
 - Popular eBook Platforms
 - Features to Look for in an Gm 57 Engine Diagram
 - User-Friendly Interface
4. Exploring eBook Recommendations from Gm 57 Engine Diagram
 - Personalized Recommendations
 - Gm 57 Engine Diagram User Reviews and Ratings
 - Gm 57 Engine Diagram and Bestseller Lists
5. Accessing Gm 57 Engine Diagram Free and Paid eBooks

- Gm 57 Engine Diagram Public Domain eBooks
 - Gm 57 Engine Diagram eBook Subscription Services
 - Gm 57 Engine Diagram Budget-Friendly Options
6. Navigating Gm 57 Engine Diagram eBook Formats
 - ePub, PDF, MOBI, and More
 - Gm 57 Engine Diagram Compatibility with Devices
 - Gm 57 Engine Diagram Enhanced eBook Features
 7. Enhancing Your Reading Experience
 - Adjustable Fonts and Text Sizes of Gm 57 Engine Diagram
 - Highlighting and Note-Taking Gm 57 Engine Diagram
 - Interactive Elements Gm 57 Engine Diagram
 8. Staying Engaged with Gm 57 Engine Diagram
 - Joining Online Reading Communities
 - Participating in Virtual Book Clubs
 - Following Authors and Publishers Gm 57 Engine Diagram
 9. Balancing eBooks and Physical Books Gm 57 Engine Diagram
 - Benefits of a Digital Library
 - Creating a Diverse Reading Collection Gm 57 Engine Diagram
 10. Overcoming Reading Challenges
 - Dealing with Digital Eye Strain
 - Minimizing Distractions
 - Managing Screen Time
 11. Cultivating a Reading Routine Gm 57 Engine Diagram
 - Setting Reading Goals Gm 57 Engine Diagram
 - Carving Out Dedicated Reading Time
 12. Sourcing Reliable Information of Gm 57 Engine Diagram
 - Fact-Checking eBook Content of Gm 57 Engine Diagram
 - Distinguishing Credible Sources
 13. Promoting Lifelong Learning
 - Utilizing eBooks for Skill Development

- Exploring Educational eBooks
14. Embracing eBook Trends
- Integration of Multimedia Elements
 - Interactive and Gamified eBooks

Gm 57 Engine Diagram Introduction

Free PDF Books and Manuals for Download: Unlocking Knowledge at Your Fingertips In today's fast-paced digital age, obtaining valuable knowledge has become easier than ever. Thanks to the internet, a vast array of books and manuals are now available for free download in PDF format. Whether you are a student, professional, or simply an avid reader, this treasure trove of downloadable resources offers a wealth of information, conveniently accessible anytime, anywhere. The advent of online libraries and platforms dedicated to sharing knowledge has revolutionized the way we consume information. No longer confined to physical libraries or bookstores, readers can now access an extensive collection of digital books and manuals with just a few clicks. These resources, available in PDF, Microsoft Word, and PowerPoint formats, cater to a wide range of interests, including literature, technology, science, history, and much more. One notable platform where you can explore and download free Gm 57 Engine Diagram PDF books and manuals is the internet's largest free library. Hosted online, this catalog compiles a vast assortment of documents, making it a veritable goldmine of knowledge. With its easy-to-use website interface and customizable PDF generator, this platform offers a user-friendly experience, allowing individuals to effortlessly navigate and access the information they seek. The availability of free PDF books and manuals on this platform demonstrates its commitment to democratizing education and empowering individuals with the tools needed to succeed in their chosen fields. It allows anyone, regardless of their background or financial limitations, to expand their horizons and gain insights from experts in various disciplines. One of the most significant advantages of downloading PDF books and manuals lies in their portability. Unlike physical copies, digital books can be stored and carried on a single device, such as a tablet or smartphone, saving valuable space and weight. This convenience makes it possible for readers to have their entire library at their fingertips, whether they are commuting, traveling, or simply enjoying a lazy afternoon at home. Additionally, digital files are easily searchable, enabling readers to locate specific information within seconds. With a few keystrokes, users can search for keywords, topics, or phrases, making research and finding relevant information a breeze. This efficiency saves time and effort, streamlining the learning process and allowing individuals to focus on extracting the information they need. Furthermore, the availability of free PDF books and manuals fosters a culture of continuous learning. By removing financial barriers, more people can access educational resources and pursue lifelong learning, contributing to personal growth and professional development. This democratization of knowledge promotes intellectual curiosity and empowers

individuals to become lifelong learners, promoting progress and innovation in various fields. It is worth noting that while accessing free Gm 57 Engine Diagram PDF books and manuals is convenient and cost-effective, it is vital to respect copyright laws and intellectual property rights. Platforms offering free downloads often operate within legal boundaries, ensuring that the materials they provide are either in the public domain or authorized for distribution. By adhering to copyright laws, users can enjoy the benefits of free access to knowledge while supporting the authors and publishers who make these resources available. In conclusion, the availability of Gm 57 Engine Diagram free PDF books and manuals for download has revolutionized the way we access and consume knowledge. With just a few clicks, individuals can explore a vast collection of resources across different disciplines, all free of charge. This accessibility empowers individuals to become lifelong learners, contributing to personal growth, professional development, and the advancement of society as a whole. So why not unlock a world of knowledge today? Start exploring the vast sea of free PDF books and manuals waiting to be discovered right at your fingertips.

FAQs About Gm 57 Engine Diagram Books

1. Where can I buy Gm 57 Engine Diagram books? Bookstores: Physical bookstores like Barnes & Noble, Waterstones, and independent local stores. Online Retailers: Amazon, Book Depository, and various online bookstores offer a wide range of books in physical and digital formats.
2. What are the different book formats available? Hardcover: Sturdy and durable, usually more expensive. Paperback: Cheaper, lighter, and more portable than hardcovers. E-books: Digital books available for e-readers like Kindle or software like Apple Books, Kindle, and Google Play Books.
3. How do I choose a Gm 57 Engine Diagram book to read? Genres: Consider the genre you enjoy (fiction, non-fiction, mystery, sci-fi, etc.). Recommendations: Ask friends, join book clubs, or explore online reviews and recommendations. Author: If you like a particular author, you might enjoy more of their work.
4. How do I take care of Gm 57 Engine Diagram books? Storage: Keep them away from direct sunlight and in a dry environment. Handling: Avoid folding pages, use bookmarks, and handle them with clean hands. Cleaning: Gently dust the covers and pages occasionally.
5. Can I borrow books without buying them? Public Libraries: Local libraries offer a wide range of books for borrowing. Book Swaps: Community book exchanges or online platforms where people exchange books.
6. How can I track my reading progress or manage my book collection? Book Tracking Apps: Goodreads, LibraryThing,

and Book Catalogue are popular apps for tracking your reading progress and managing book collections. Spreadsheets: You can create your own spreadsheet to track books read, ratings, and other details.

7. What are Gm 57 Engine Diagram audiobooks, and where can I find them? Audiobooks: Audio recordings of books, perfect for listening while commuting or multitasking. Platforms: Audible, LibriVox, and Google Play Books offer a wide selection of audiobooks.
8. How do I support authors or the book industry? Buy Books: Purchase books from authors or independent bookstores. Reviews: Leave reviews on platforms like Goodreads or Amazon. Promotion: Share your favorite books on social media or recommend them to friends.
9. Are there book clubs or reading communities I can join? Local Clubs: Check for local book clubs in libraries or community centers. Online Communities: Platforms like Goodreads have virtual book clubs and discussion groups.
10. Can I read Gm 57 Engine Diagram books for free? Public Domain Books: Many classic books are available for free as they're in the public domain. Free E-books: Some websites offer free e-books legally, like Project Gutenberg or Open Library.

Find Gm 57 Engine Diagram :

manual gps audi rns e systeem

manual for ttr 125 le 2005

manual general de instrucciones sud

manual husqvarna automower 320

manual himoinsa eta 01

manual ford a

manual for vw polo 1994 2000 torrent

manual instrucciones derbi gpr 50

manual grand am 2004

manual handling presentation

manual handling ppt

manual handling questions for a quiz

manual for toyota forklift model 5fgc25

manual ip address iphone

manual gastro aeg

Gm 57 Engine Diagram :

Marketing Principles Asia Pacific 2nd Edition Pride Test Bank Jan 1, 2020 — TOP: What is qualitative research? 6. Qualitative research can help to diagnose the dimensions of a marketing problem. ANS: T. PTS: 1. Essentials of services marketing 2nd edition wirtz test bank Essays for Marketing essentials of services marketing 2nd edition wirtz test bank full download: test bank chapter page. ... Asia Pte Ltd 2013. where needs are ... Social Media Marketing 2nd Edition Tuten Test Bank Mar 12, 2023 — SOCIAL MEDIA MARKETING. Chapter 2 Strategic Planning with Social Media. Multiple Choice Questions. 1) The process of identifying which ... Services Marketing in Asia, Second Edition This is an ex-library book and may have the usual library/used-book markings inside. This book has soft covers. In good all round condition. Book Write-Up - y0024 Services Marketing: People, Technology, Strategy is the ninth edition of the ... Test Bank. Please contact sales@wspc.com. Key Features: Full-color visual ... pdf-essentials-of-services-marketing-2nd-edition-wirtz-test ... Essentials of Services Marketing 2nd Edition Wirtz Essentials of Services Marketing 2nd Edition Wirtz TEST BANK TEST BANK Full download at: Full download at: ... Services Marketing: People, Technology, Strategy ... Asia), added further cultural diversity and brought the EU market closer to ... second, per 6-second block, or even per-minute block, resulting in vastly ... Test Bank Solutions Manual For International Marketing ... Test Bank, Solutions Manual, ebook, CONNECT Assignments and Learn Smart Quizzes for International Marketing 18th Edition By Philip Cateora • ISBN10: ... Economic Issues 1 -- Growth in East Asia Everyone agrees that the economies of East Asia, and particularly the Four Tigers, have grown spectacularly over the past generation, but nobody seems to agree ... The Transgender Studies Reader - 1st Edition Transgender studies is the latest area of academic inquiry to grow out of the exciting nexus of queer theory, feminist studies, and the history of sexuality ... The Transgender Studies Reader This text is first in the canon of transgender literature. It is a must read for students of gender studies and persons questioning the gender assigned them at ... The Transgender Studies Reader 2 - 1st Edition Unlike the first volume, which was historically based, tracing the lineage of the field, this volume focuses on recent work and emerging trends. To keep pace ... The Transgender Studies Reader ... The Transgender Studies. Reader. We also thank Don Romesburg for his intrepid bibliographical assistance, and Texas Starr for administrative support in the ... The Transgender Studies Reader | Susan Stryker, Stephen ... Aug 16, 2013 — Transgender studies is the latest area of academic inquiry to grow out of the exciting nexus of queer theory, feminist studies, ... The Transgender Studies Reader Transgender studies is the latest area of academic inquiry to grow out of the exciting nexus of queer theory, feminist studies, and the history of sexuality ... The Transgender Studies Reader by Susan Stryker Transgender studies is the latest area of academic inquiry to grow out of the exciting nexus of queer theory, feminist studies, and the history of sexuality ... The Transgender Studies

Reader The Transgender Studies Reader ; Publication Date 2006-05-26 ; Section Gender Studies / Gay & Lesbian ; Type New ; Format Paperback ; ISBN 9780415947091. The Transgender Studies Reader Transgender studies is the latest area of academic inquiry to grow out of the exciting nexus of queer theory, feminist studies, and the history of sexuality ... The Transgender Studies Reader book by Susan Stryker Transgender studies is the latest area of academic inquiry to grow out of the exciting nexus of queer theory, feminist studies, and the history of sexuality ... face2face Upper Intermediate Teacher's Book ... The face2face Second edition Upper Intermediate Teacher's Book with DVD offers detailed teaching notes for every lesson, keys to exercises, and extra teaching ... face2face Upper Intermediate, 2nd Edition, Teacher's Book ... Who are you? Who are you? I'm a Teacher; I'm a Student; Show me everything. Who are you? I' ... Face2face Upper Intermediate Teacher's Book with DVD ... The face2face Second edition Upper Intermediate Teacher's Book with DVD offers detailed teaching notes for every lesson, keys to exercises, and extra teaching ... face2face Upper Intermediate Teacher's Book with DVD ... face2face Upper Intermediate Teacher's Book with DVD 2nd edition by Redston, Chris, Clementson, Theresa (2014) Paperback. 4.6 4.6 out of 5 stars 15 Reviews. Face2face Upper Intermediate Teacher's Book with DVD face2face Second edition is the flexible, easy-to-teach, 6-level course (A1 to C1) for busy teachers who want to get their adult and young adult learners to ... Face2face Upper Intermediate Teacher's Book with DVD ... Mar 7, 2013 — The face2face Second edition Upper Intermediate Teacher's Book with DVD offers detailed teaching notes for every lesson, keys to exercises, and ... face2face Upper Intermediate Teacher's Book with DVD face2face Second edition is the flexible, easy-to-teach, 6-level course (A1 to C1) for busy teachers who want to get their adult and young adult learners. Face2face Upper Intermediate Teacher's Book with DVD ... The face2face Second edition Upper Intermediate Teacher's Book with DVD offers detailed teaching notes for every lesson, keys to exercises, and extra teaching ... Face2face Upper Intermediate Teacher's Book With Dvd Face2face Upper Intermediate Teacher's Book With Dvd ; Type, null ; Life stage, null ; Appropriate for ages, null ; Gender, null ; Shipping dimensions, 1" H x 1" W x ... face2face | Upper Intermediate Teacher's Book with DVD Based on the communicative approach, it combines the best in current methodology with innovative new features designed to make learning and teaching easier.